



US00D849663S

(12) **United States Design Patent**
Hiss et al.

(10) **Patent No.:** **US D849,663 S**
(45) **Date of Patent:** **** May 28, 2019**

(54) **HYDROFOIL BOAT**

FOREIGN PATENT DOCUMENTS

(71) Applicant: **Enata Investment Corporation Pte. Ltd.**, Singapore (SG)

WO WO2016/009409 1/2016

Primary Examiner — Cynthia M. Chin

(72) Inventors: **Jean Hiss**, Paris (FR); **Pablo Hernan Struzka**, Dubai (AE)

(74) *Attorney, Agent, or Firm* — Andre Roland S.A.; Nikolaus Schibli

(73) Assignee: **Enata Inverstment Corporation Pte. Ltd.**, Singapore (SG)

(**) Term: **15 Years**

(57) **CLAIM**

The ornamental design for a hydrofoil boat, as shown and described.

(21) Appl. No.: **29/642,236**

(22) Filed: **Mar. 28, 2018**

(30) **Foreign Application Priority Data**

DESCRIPTION

Oct. 2, 2017 (CH) 143552

(51) **LOC (11) Cl.** **12-06**

(52) **U.S. Cl.**
USPC **D12/309**

(58) **Field of Classification Search**
USPC D12/300, 309, 317, 318; D21/769, 771, D21/778

CPC B63B 35/7923; B63B 35/7926; B63B 35/793; B63B 35/79; B63B 35/7943; B63B 1/16; B63B 1/20; B63B 1/24; B63B 1/242; B63B 1/248; B63B 1/26; B63B 1/28; B63B 1/285; B63B 1/30

See application file for complete search history.

FIG. 1 is a top-front-left perspective view of the hydrofoil boat with the hydrofoils in an expanded or extended state; FIG. 2 is a front view thereof; FIG. 3 is a rear view thereof; FIG. 4 is a right side view thereof; FIG. 5 is a left side view thereof; FIG. 6 is a top view thereof; FIG. 7 is a bottom view thereof; FIG. 8 is a top-front-left perspective view of the hydrofoil boat with the hydrofoils in a retracted or collapsed state; FIG. 9 is a front view thereof; FIG. 10 is a rear view thereof; FIG. 11 is a right side view thereof; FIG. 12 is a left side view thereof; FIG. 13 is a top view thereof; and, FIG. 14 is a bottom view thereof.

The present disclosure is directed to the field of hydrofoil boats or ships, more particularly to the field of power boats having a retractable hydrofoil, the hydrofoil for lifting the hull of the boat out of the water.

The broken lines are for the purpose of illustrating portions of the article that form no part of the claim. The shade lines represent the claimed surfaces of the design, and do not represent surface ornamentation.

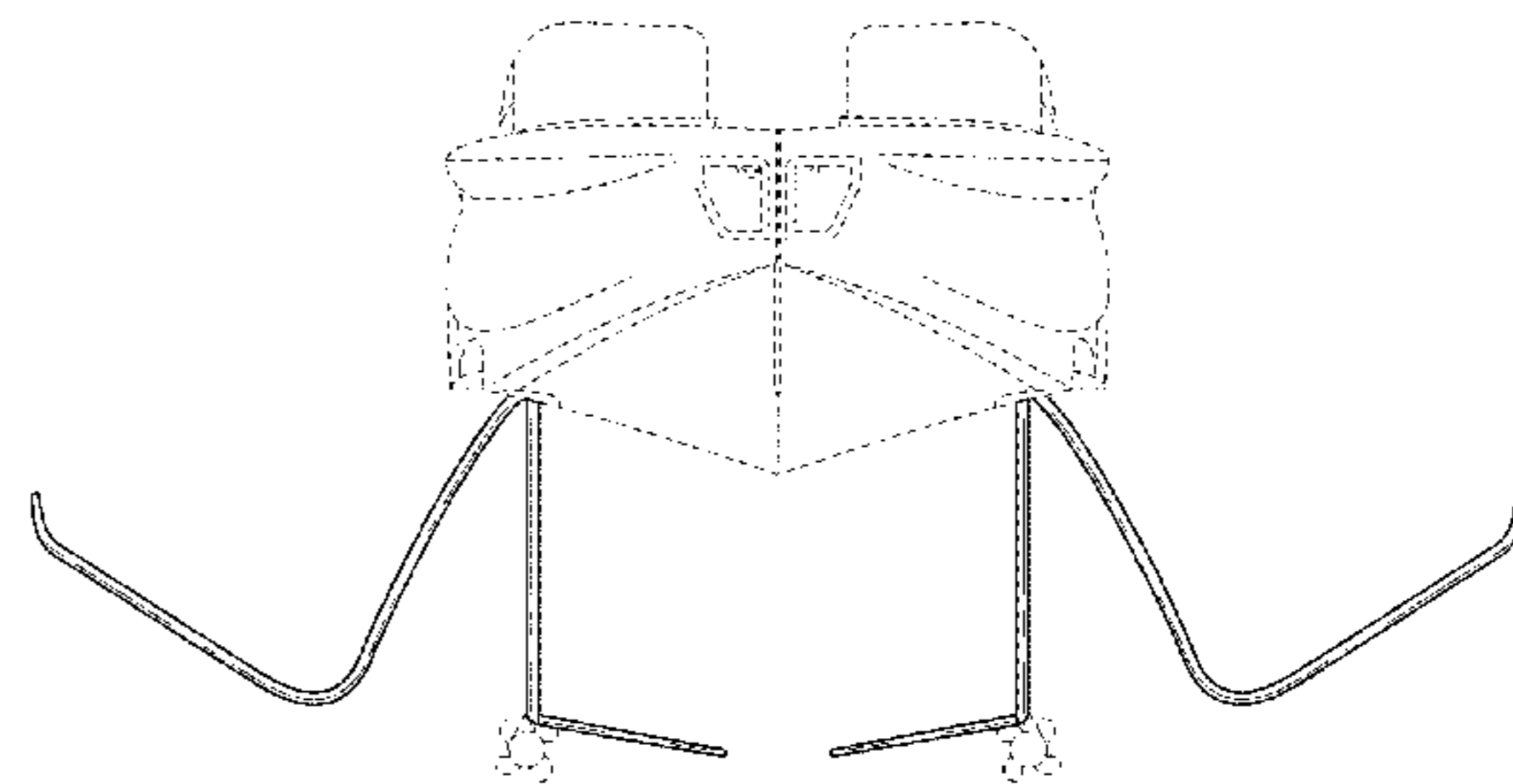
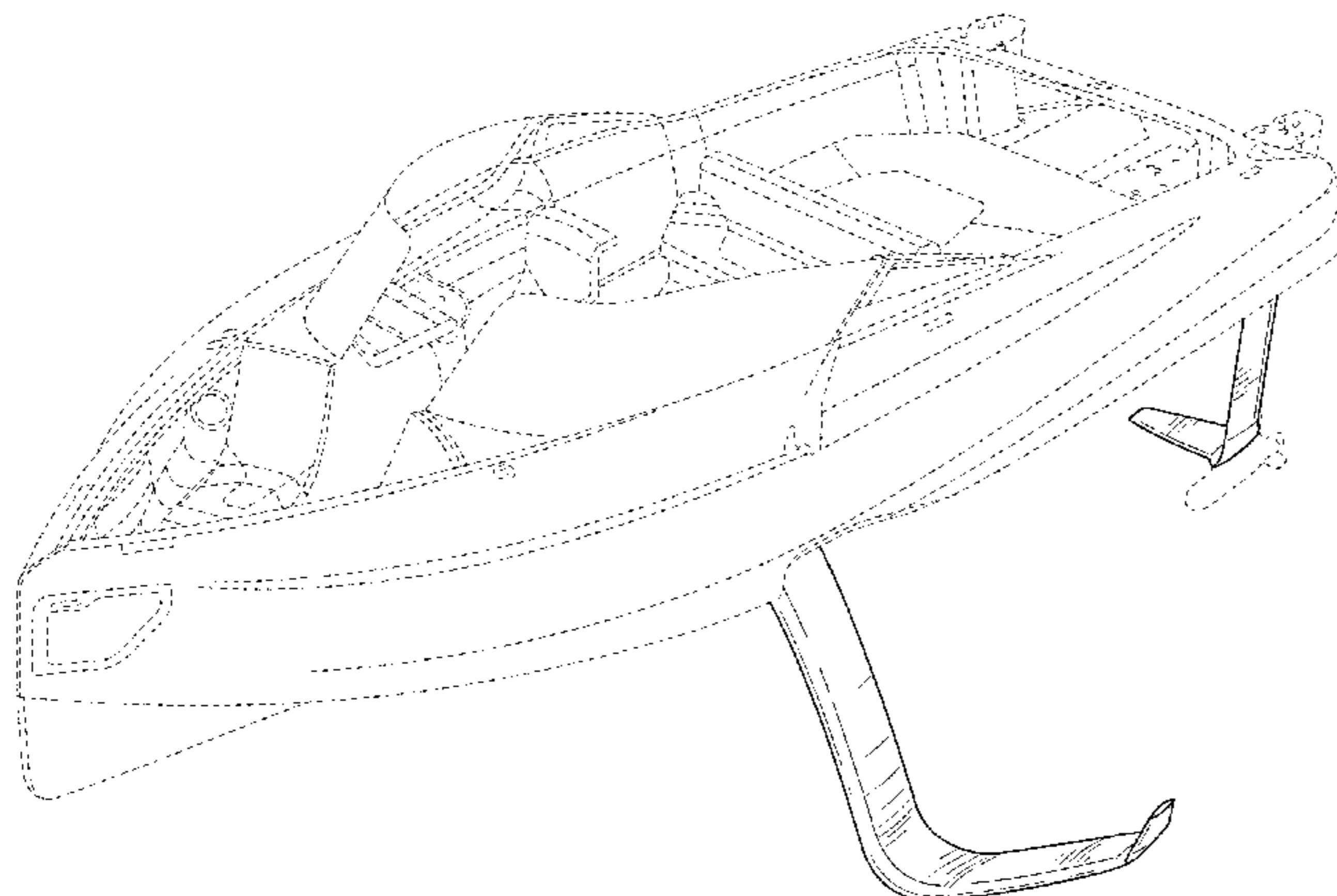
(56) **References Cited**

U.S. PATENT DOCUMENTS

4,955,312 A * 9/1990 Magazzu' B63B 1/28 114/280
5,054,410 A * 10/1991 Scarborough B63B 1/12 114/275
5,988,097 A * 11/1999 Karney B63B 1/22 114/283
6,095,076 A * 8/2000 Nesbitt B63B 1/24 114/274

(Continued)

1 Claim, 12 Drawing Sheets



(56)

References Cited

U.S. PATENT DOCUMENTS

6,499,419 B1 * 12/2002 Bussard B63B 1/28
114/274
6,782,839 B1 * 8/2004 Nozaki B63B 1/20
114/280
8,720,354 B2 * 5/2014 Ketterman B63B 1/242
114/273
8,967,063 B2 * 3/2015 Coffman B63B 1/248
114/280
2009/0013917 A1 * 1/2009 Ulgen B63B 1/30
114/282
2012/0255479 A1 * 10/2012 Sahlin B63B 1/285
114/280
2012/0325135 A1 * 12/2012 Ketterman B63B 1/242
114/39.24

* cited by examiner

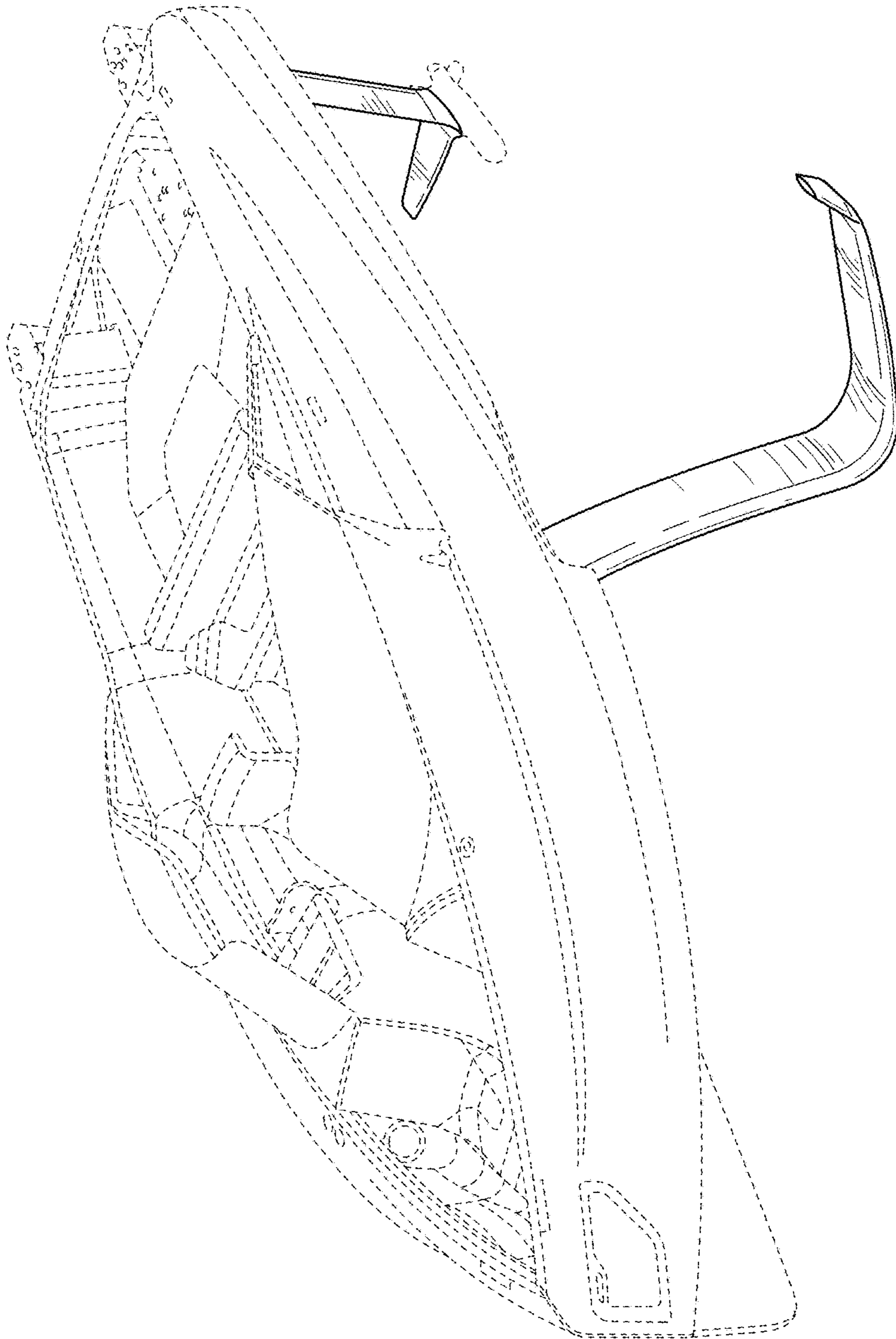


FIG. 1

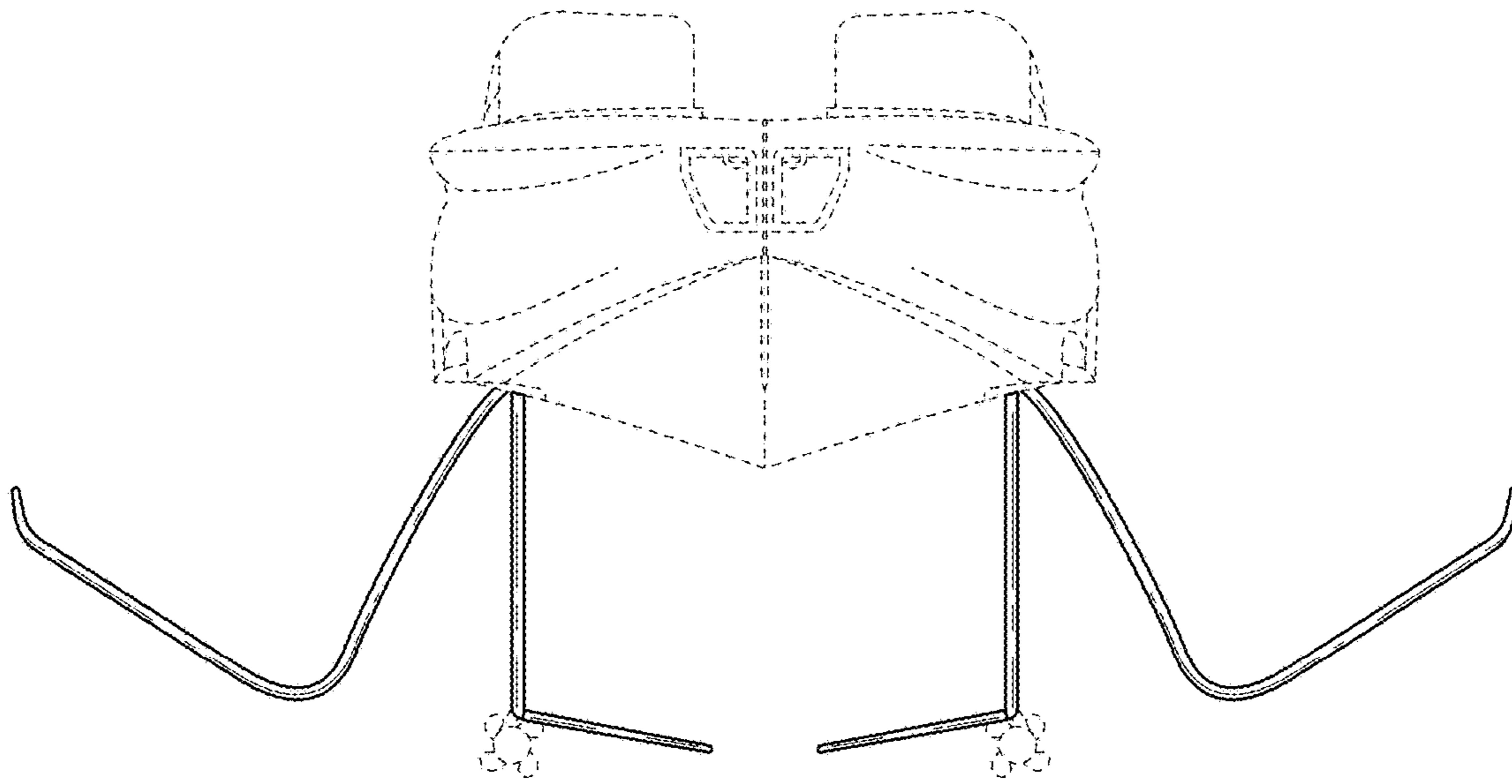


FIG. 2

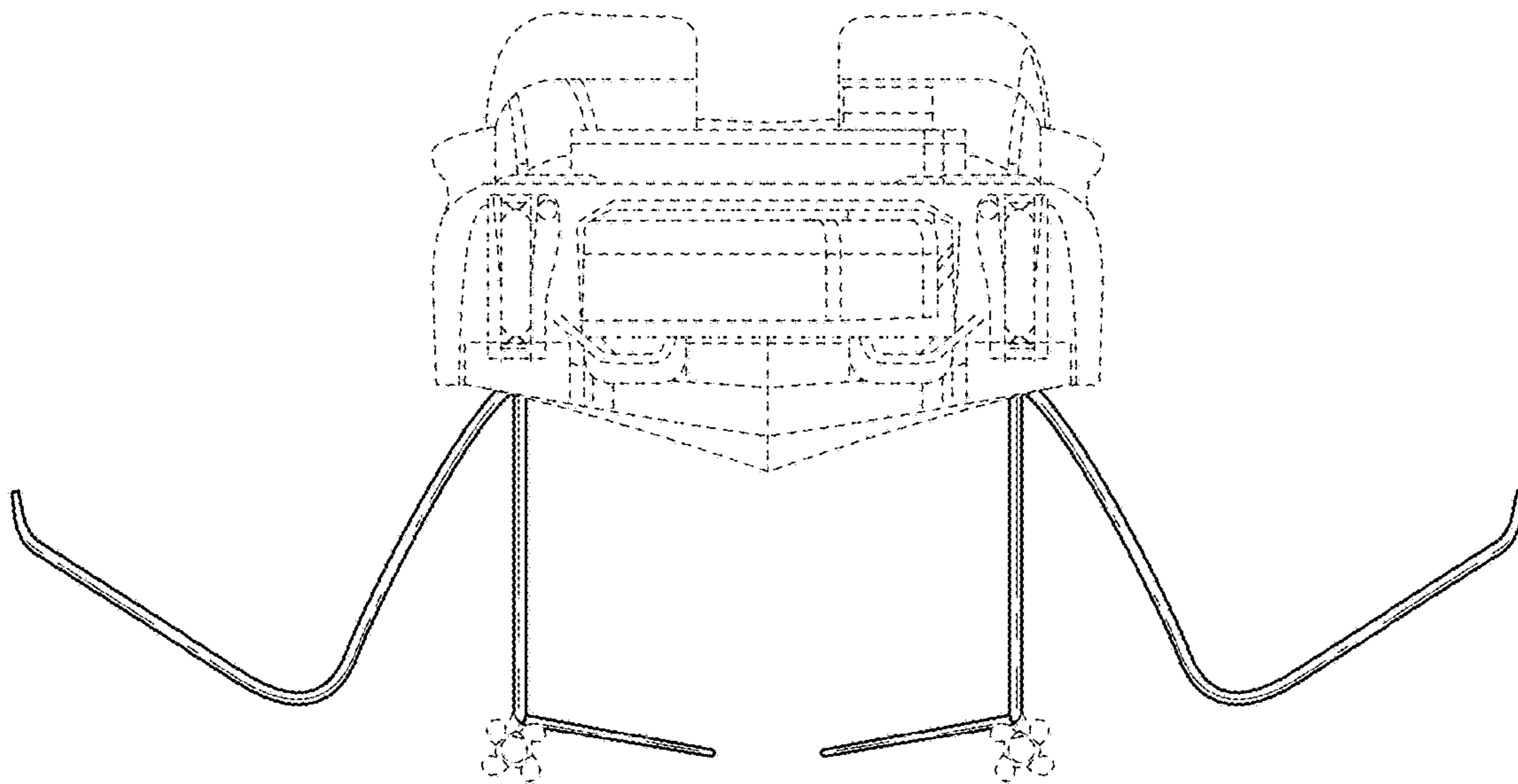


FIG. 3

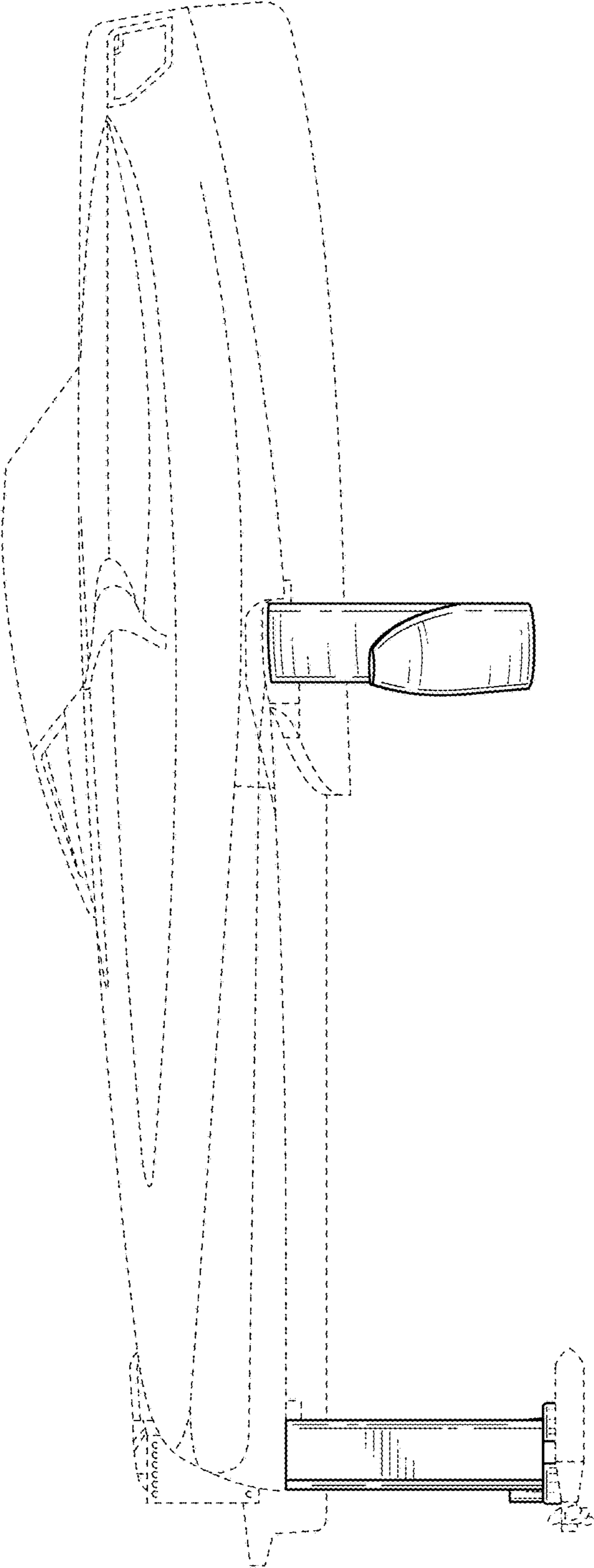


FIG. 4

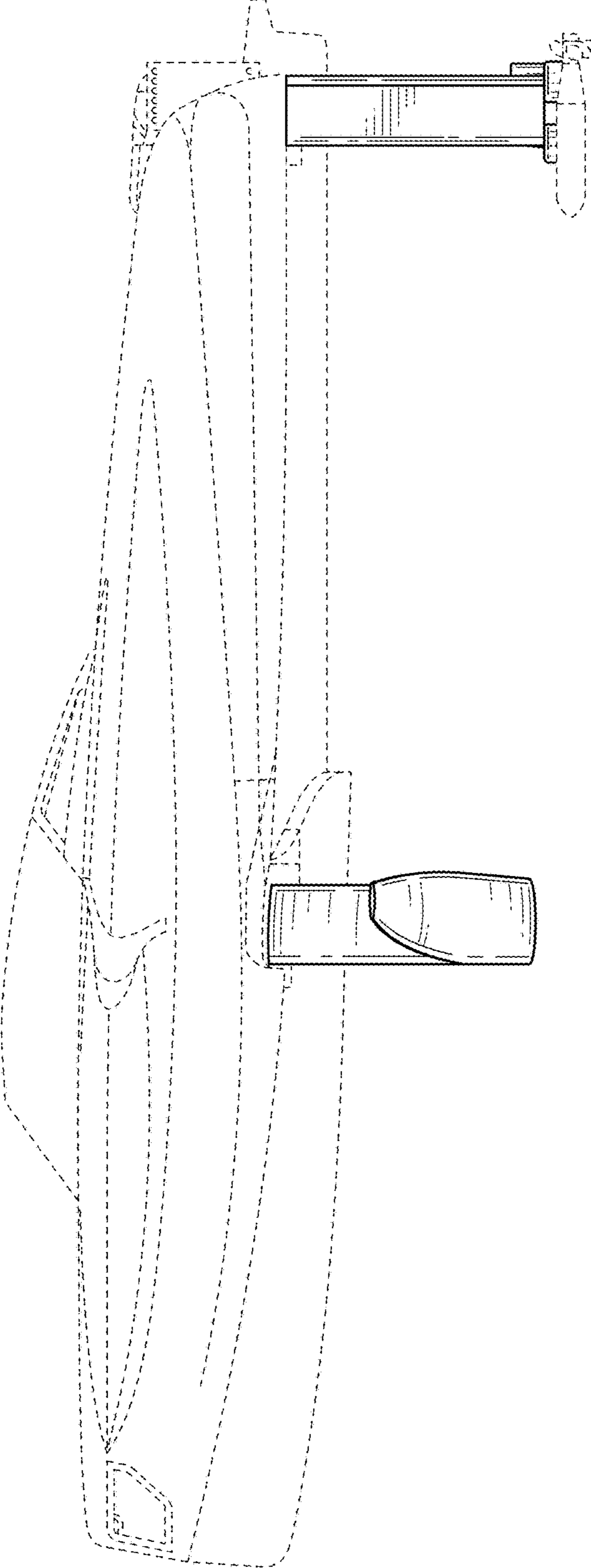


FIG. 5

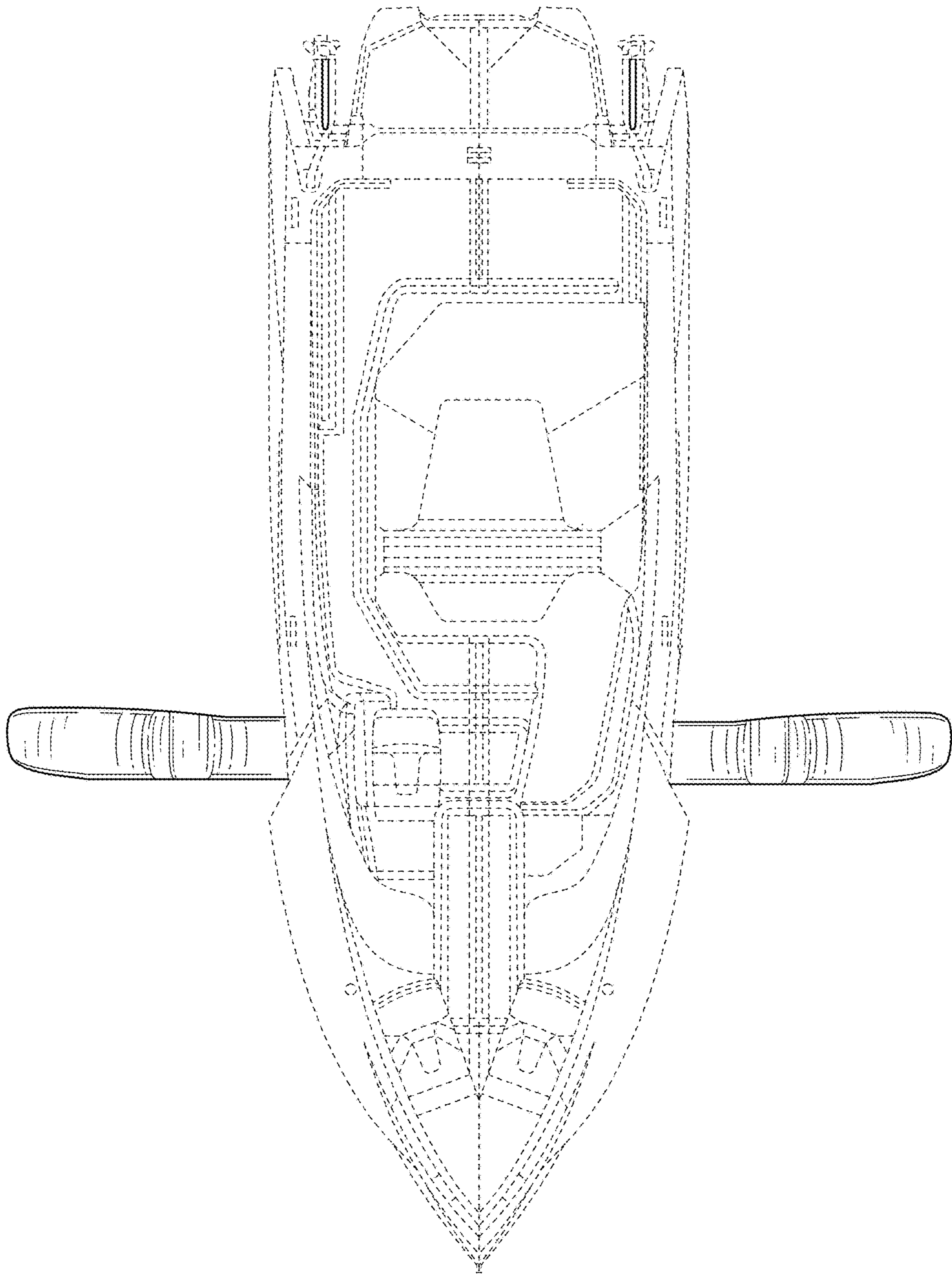


FIG. 6

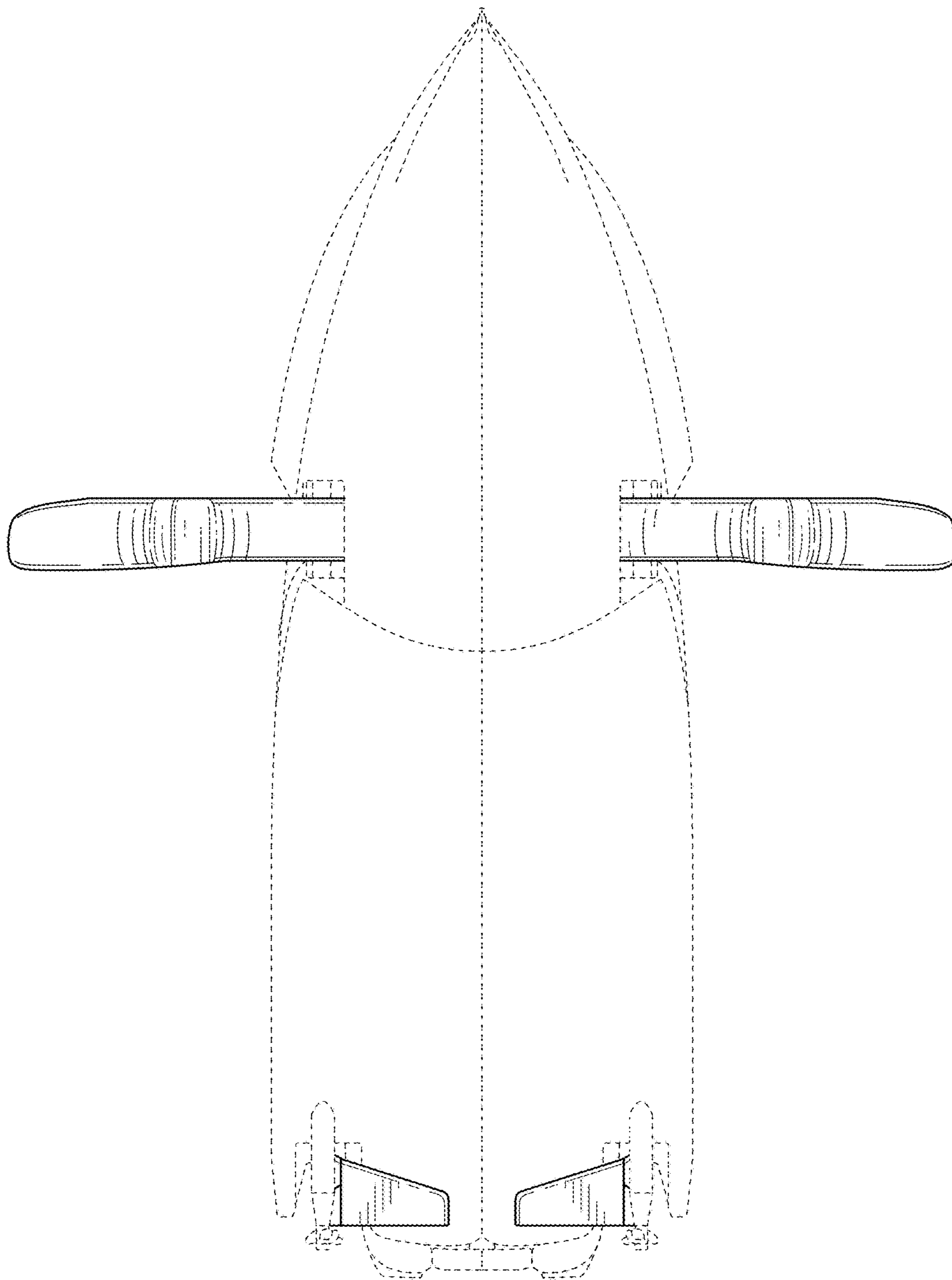


FIG. 7

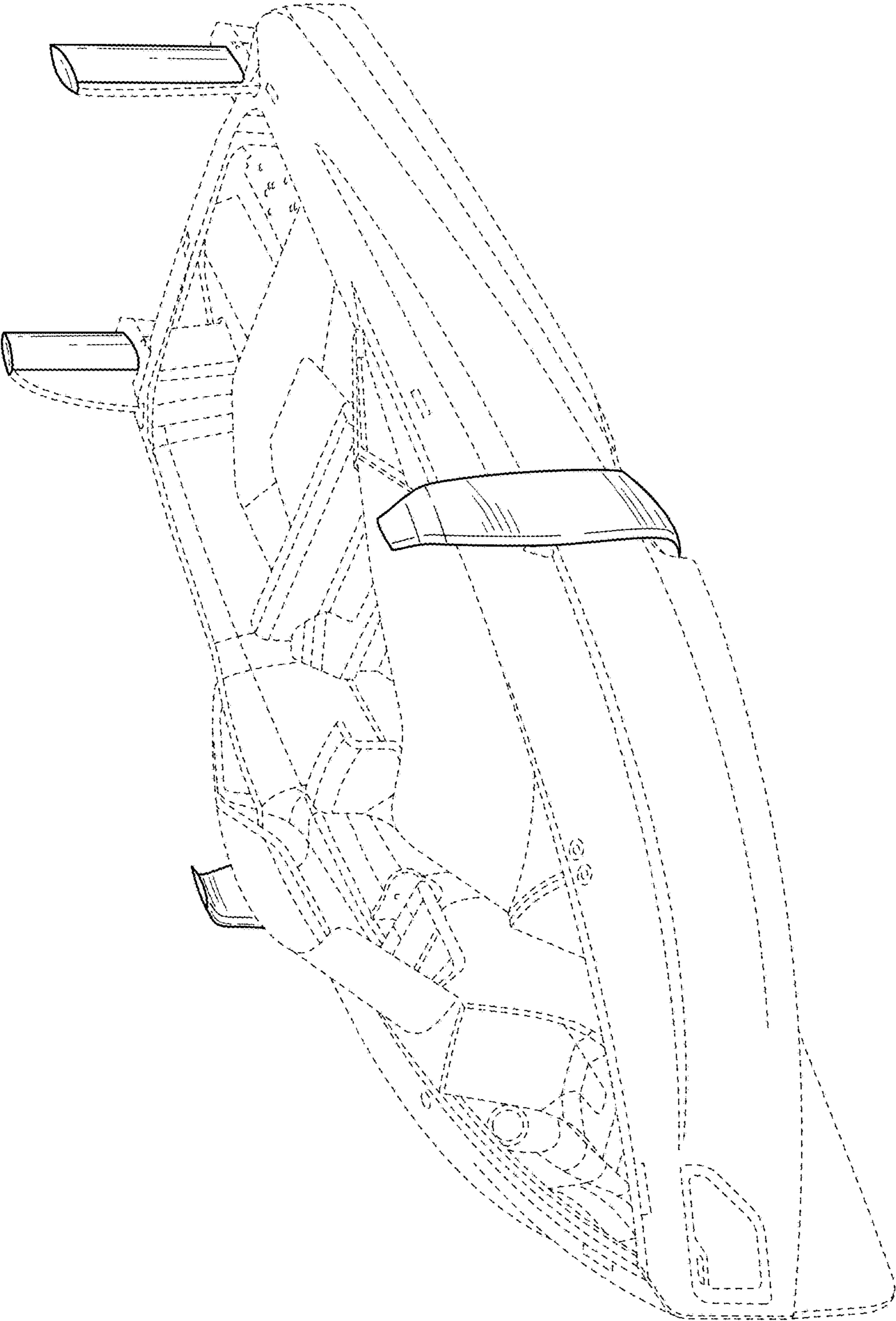


FIG. 8

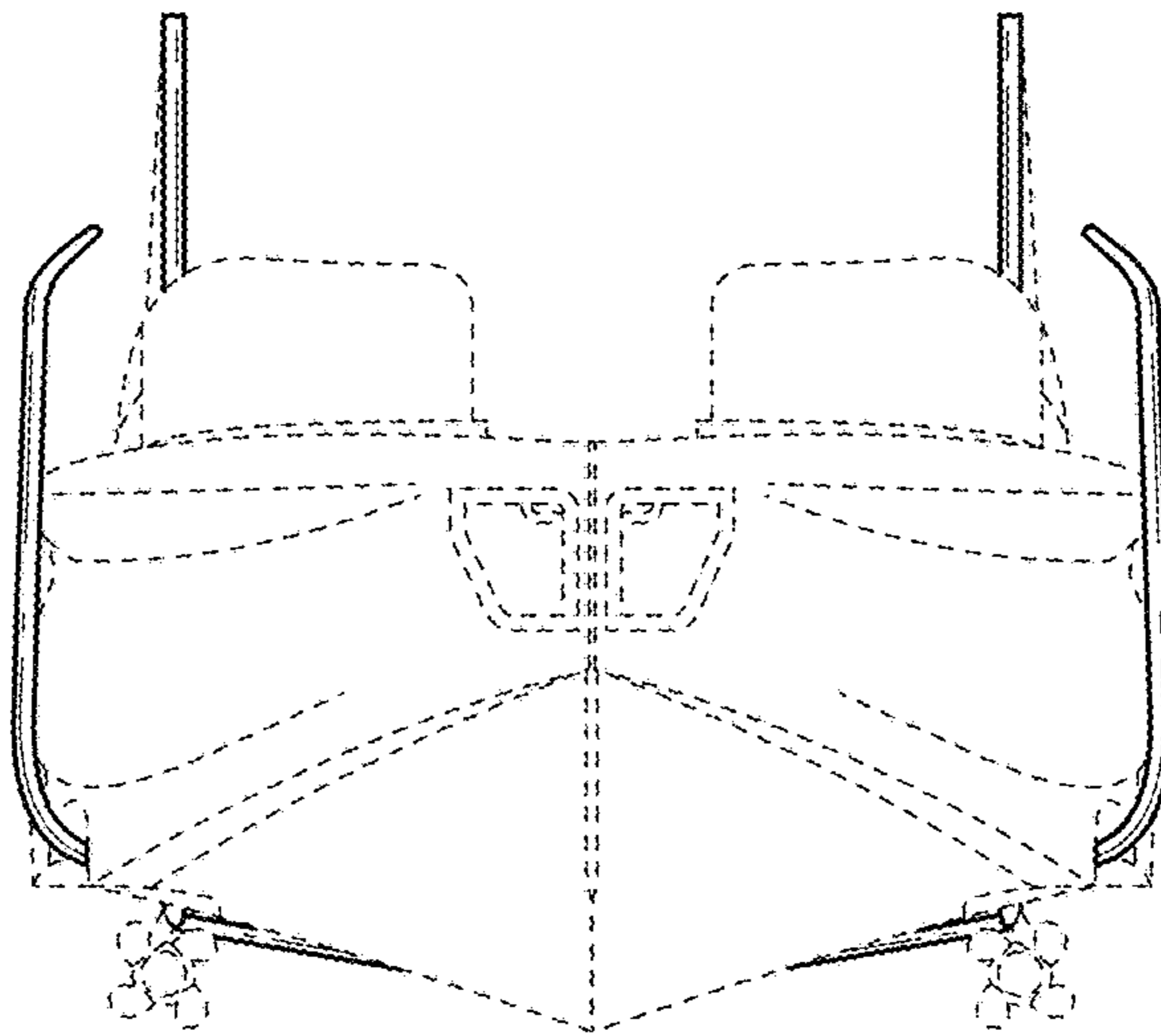


FIG. 9

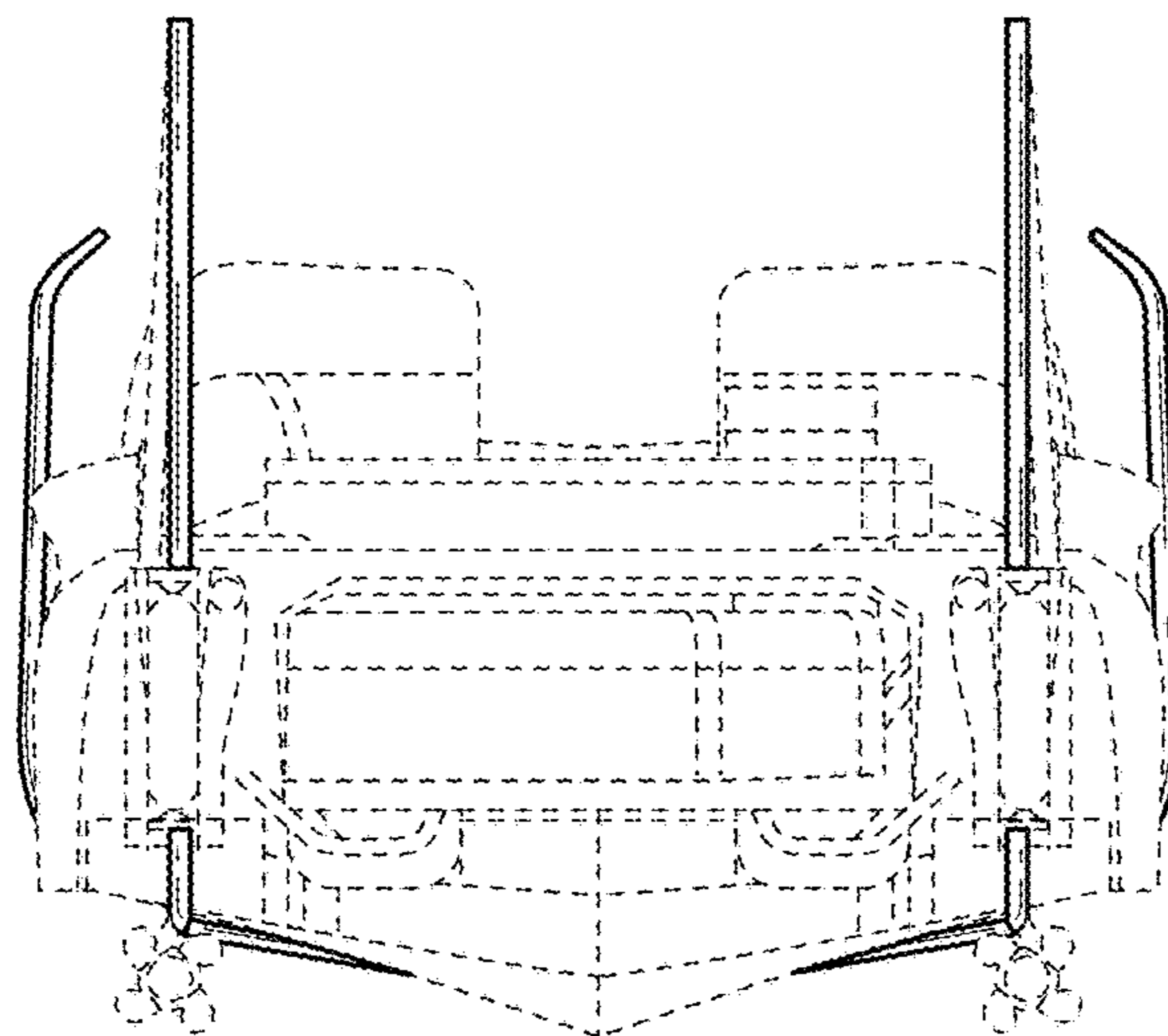


FIG. 10

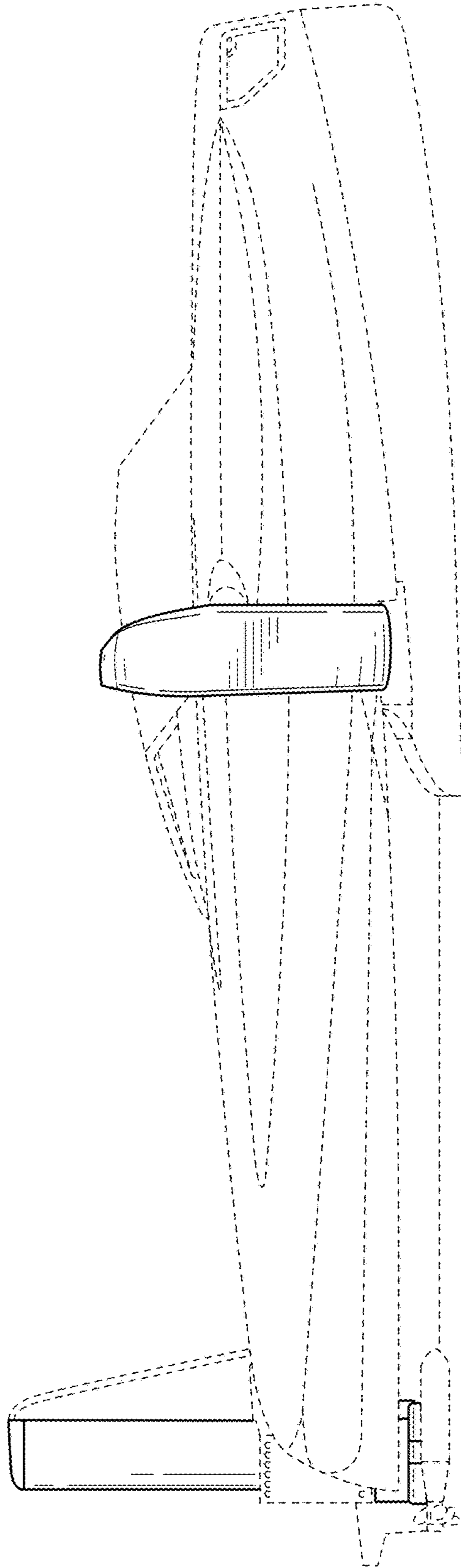


FIG. 11

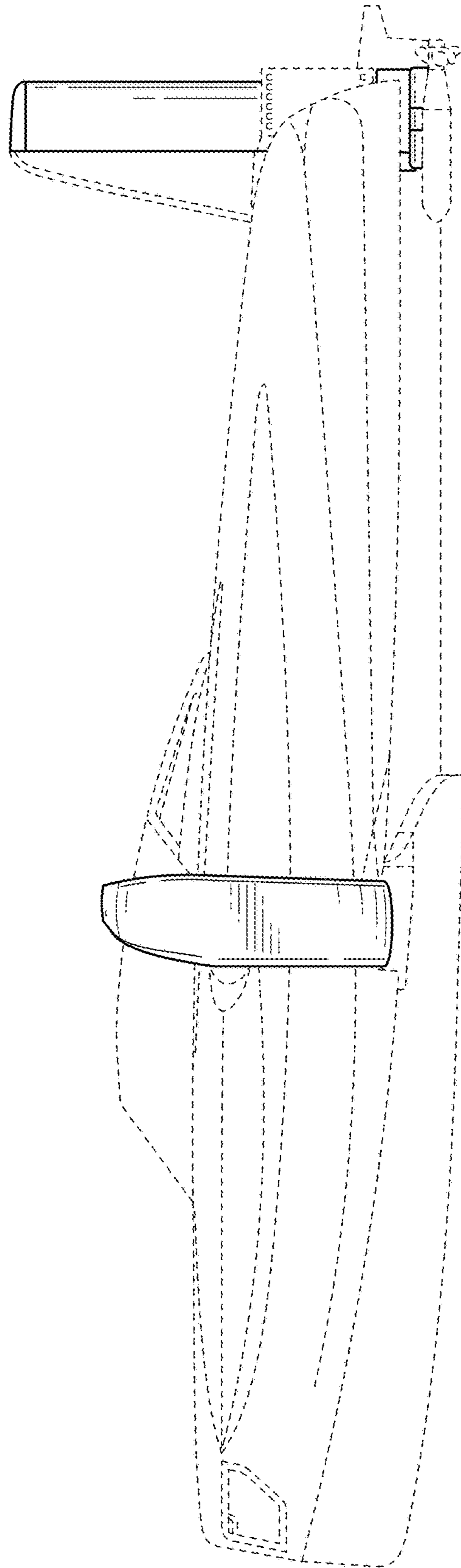


FIG. 12

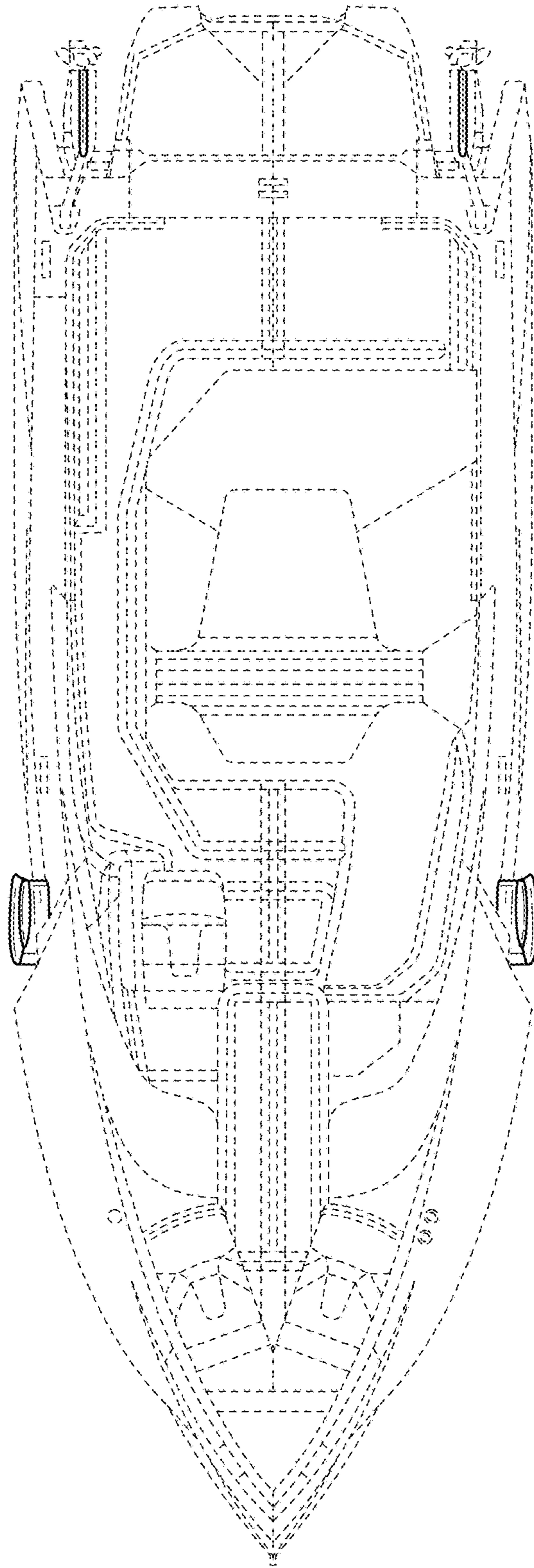


FIG. 13

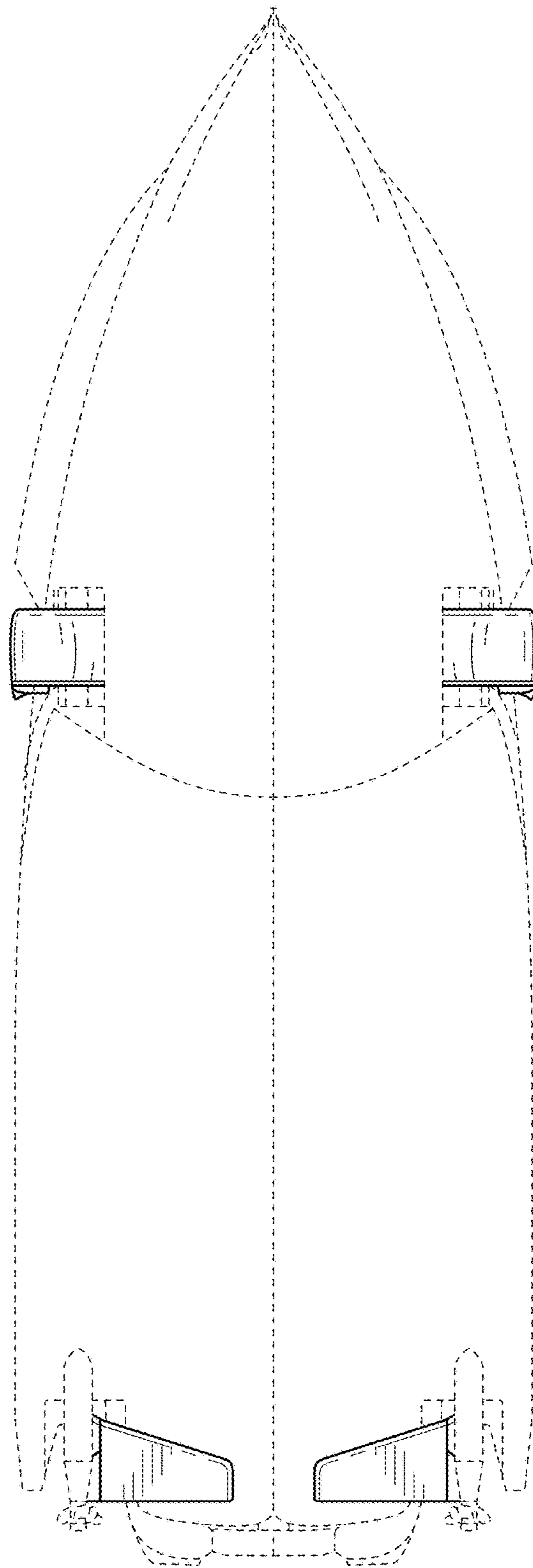


FIG. 14