

US00D849661S

(12) **United States Design Patent**
Fukushima et al.

(10) **Patent No.:** **US D849,661 S**

(45) **Date of Patent:** **** May 28, 2019**

(54) **SYNTHETIC RESIN PLATE**

(71) Applicant: **Gifu Plastic Industry Co., Ltd.**,
Gifu-shi (JP)

(72) Inventors: **Shinji Fukushima**, Gifu (JP); **Hiroataka Itou**, Gifu (JP); **Tatsuya Shinkai**, Gifu (JP)

(73) Assignee: **Gifu Plastic Industry Co., Ltd.**,
Gifu-shi, Gifu-ken (JP)

(**) Term: **15 Years**

(21) Appl. No.: **29/588,388**

(22) Filed: **Dec. 20, 2016**

(30) **Foreign Application Priority Data**

Jun. 22, 2016 (JP) 2016-013294
Jun. 22, 2016 (JP) 2016-013295

(51) **LOC (11) Cl.** **12-16**

(52) **U.S. Cl.**
USPC **D12/221**

(58) **Field of Classification Search**
USPC D12/221, 98; D9/431-433, 44, 420, 422,
D9/423, 424

(Continued)

(56) **References Cited**

U.S. PATENT DOCUMENTS

D417,182 S * 11/1999 Vitoorapakorn D12/221
D418,800 S * 1/2000 Atkin D12/221

(Continued)

Primary Examiner — Katrina A Betton

(74) *Attorney, Agent, or Firm* — Schwegman Lundberg &
Woessner, P.A.

(57) **CLAIM**

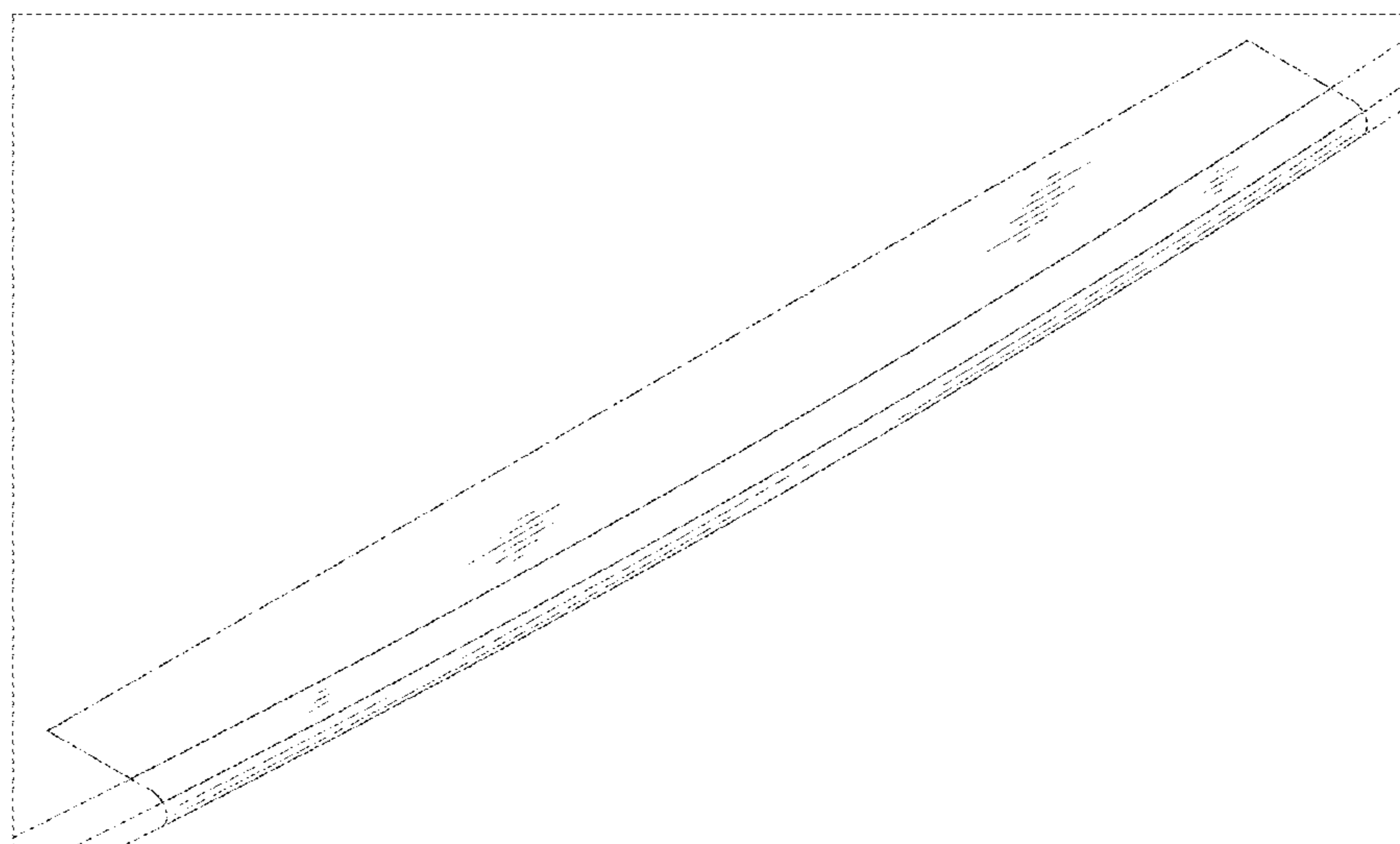
The ornamental design for a synthetic resin plate, as shown and described.

DESCRIPTION

FIG. 1 is a perspective view of a first embodiment of a synthetic resin plate showing our new design; FIG. 2 is a front view thereof; FIG. 3 is a top plan view thereof; FIG. 4 is a bottom plan view thereof; FIG. 5 is a right side view thereof; FIG. 6 is a left side view thereof; FIG. 7 is an enlarged view of the portion defined by crop lines 7-7 in FIG. 1; FIG. 8 is an enlarged view of the portion defined by crop lines 8-8 in FIG. 3; FIG. 9 is an enlarged cross-sectional view taken along line 9-9 in FIG. 8; FIG. 10 is a perspective view of a second embodiment of a synthetic resin plate showing our new design; FIG. 11 is a front view thereof; FIG. 12 is a top plan view thereof; FIG. 13 is a bottom plan view thereof; FIG. 14 is a right side view thereof; FIG. 15 is a left side view thereof; FIG. 16 is an enlarged view of the portion defined by crop lines 16-16 in FIG. 10; FIG. 17 is an enlarged view of the portion defined by crop lines 17-17 in FIG. 16; FIG. 18 is an enlarged view of the portion defined by crop lines 18-18 in FIG. 16; FIG. 19 is an enlarged view of the portion defined by crop lines 19-19 in FIG. 12; and, FIG. 20 is an enlarged cross-sectional view taken along line 20-20 in FIG. 19.

The broken lines illustrate portions of the synthetic resin plate and form no part of the claimed design. The dash-dotted lines denote the boundary of the claim and form no part of the claimed design. The gray shading on the claimed area represents a metallic surface.

1 Claim, 12 Drawing Sheets



(58) **Field of Classification Search**

CPC .. B60R 99/00; B60R 5/00; B60R 7/04; B60N
2/30

See application file for complete search history.

(56) **References Cited**

U.S. PATENT DOCUMENTS

D419,951 S *	2/2000	Emery	D12/221
D425,851 S *	5/2000	Tucker	D12/221
D701,483 S *	3/2014	Takahashi	D12/221
D709,429 S *	7/2014	Noone	D12/221
D718,697 S *	12/2014	Koblenzer	D12/221
D735,110 S *	7/2015	Wagner	D12/221
D820,188 S *	6/2018	Hanson	D12/221
D821,955 S *	7/2018	Dexter	D12/221
2017/0173935 A1	6/2017	Fukushima et al.	

* cited by examiner

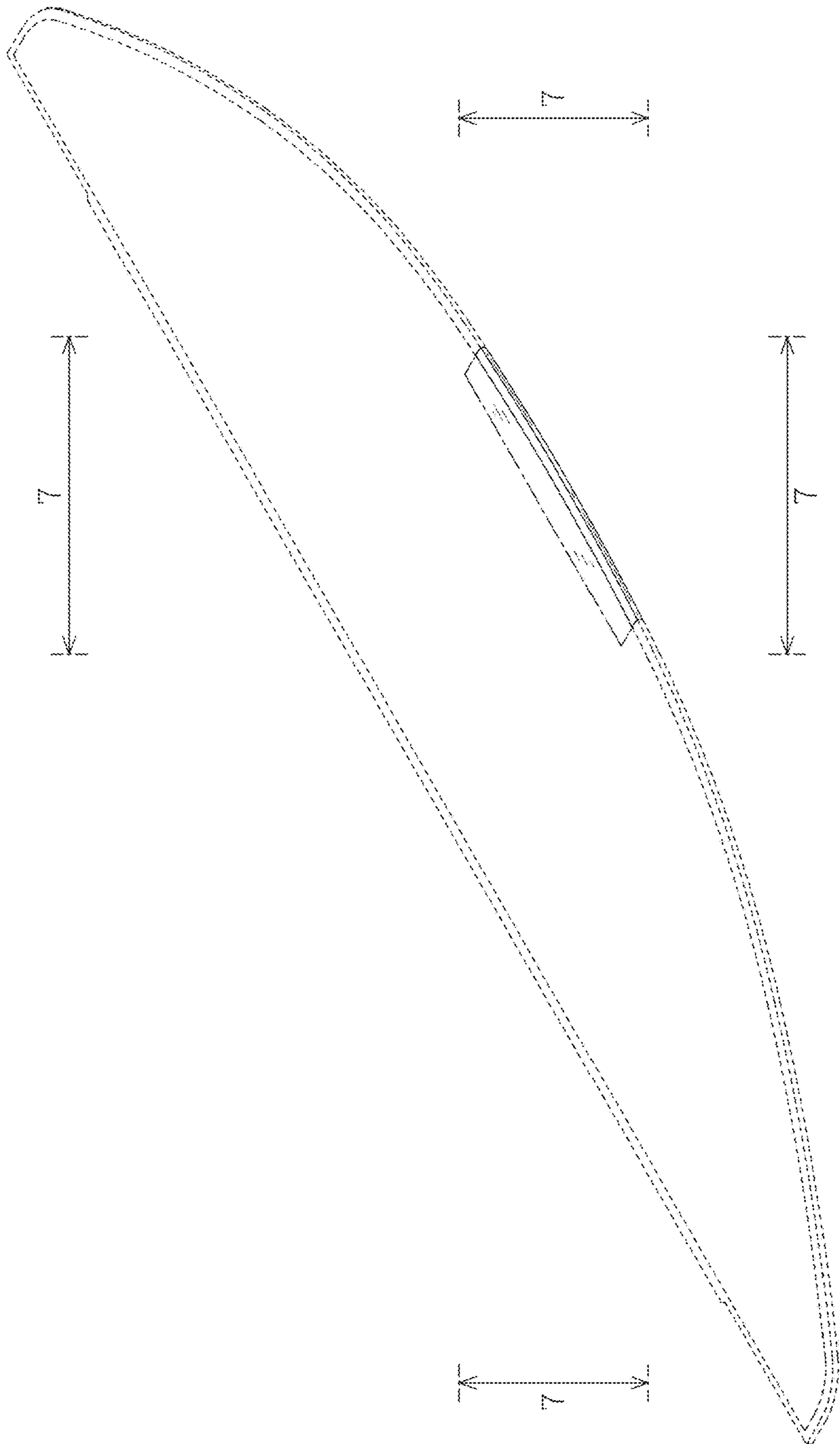


Fig.1

Fig. 2

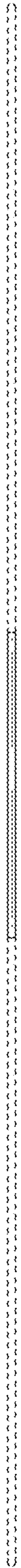


Fig. 3

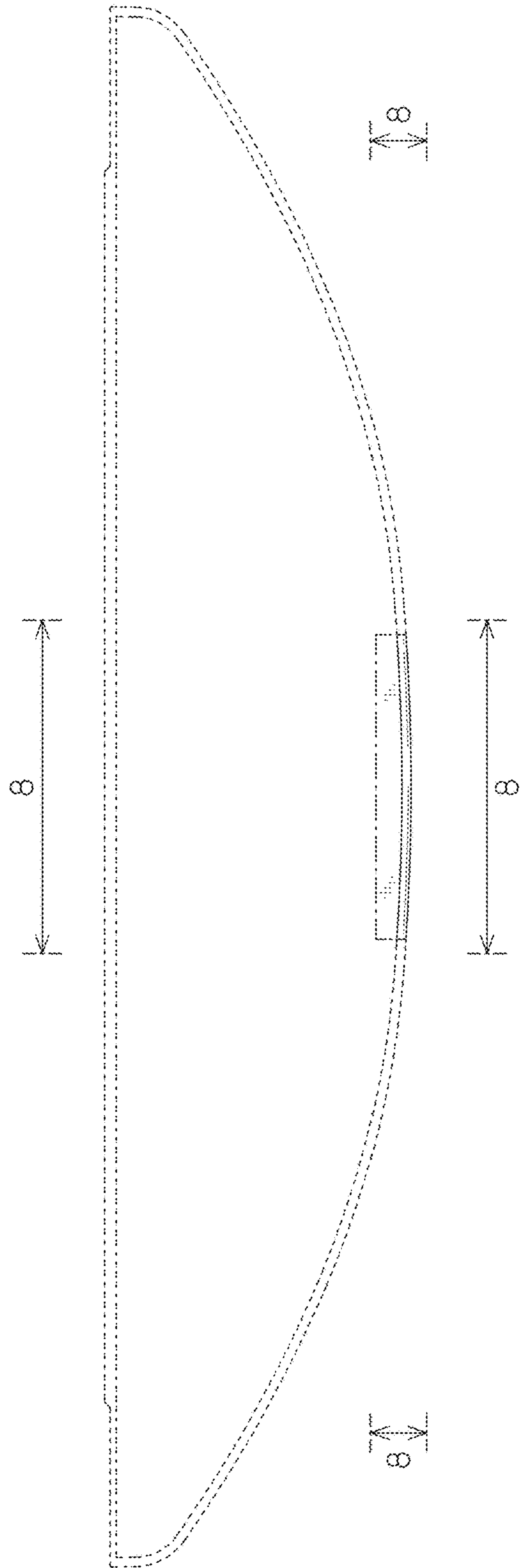


Fig.4

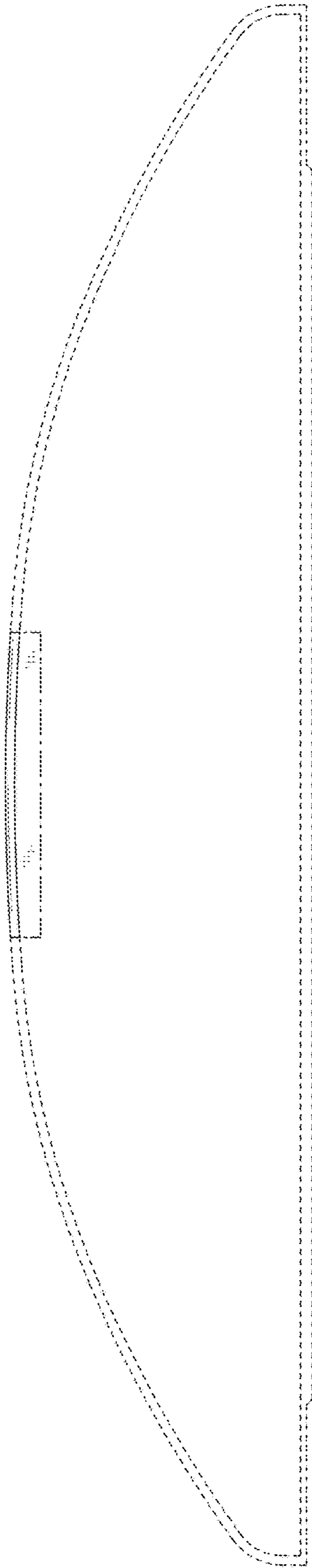


Fig.5

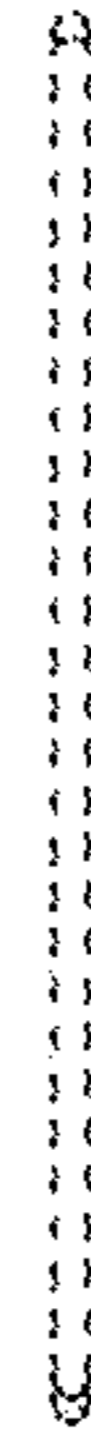
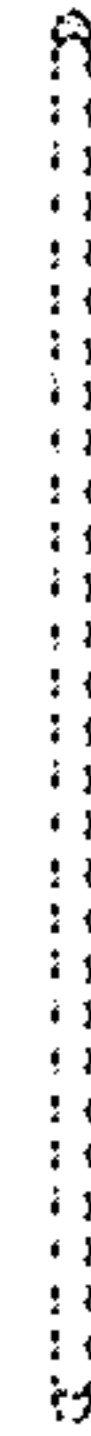


Fig.6



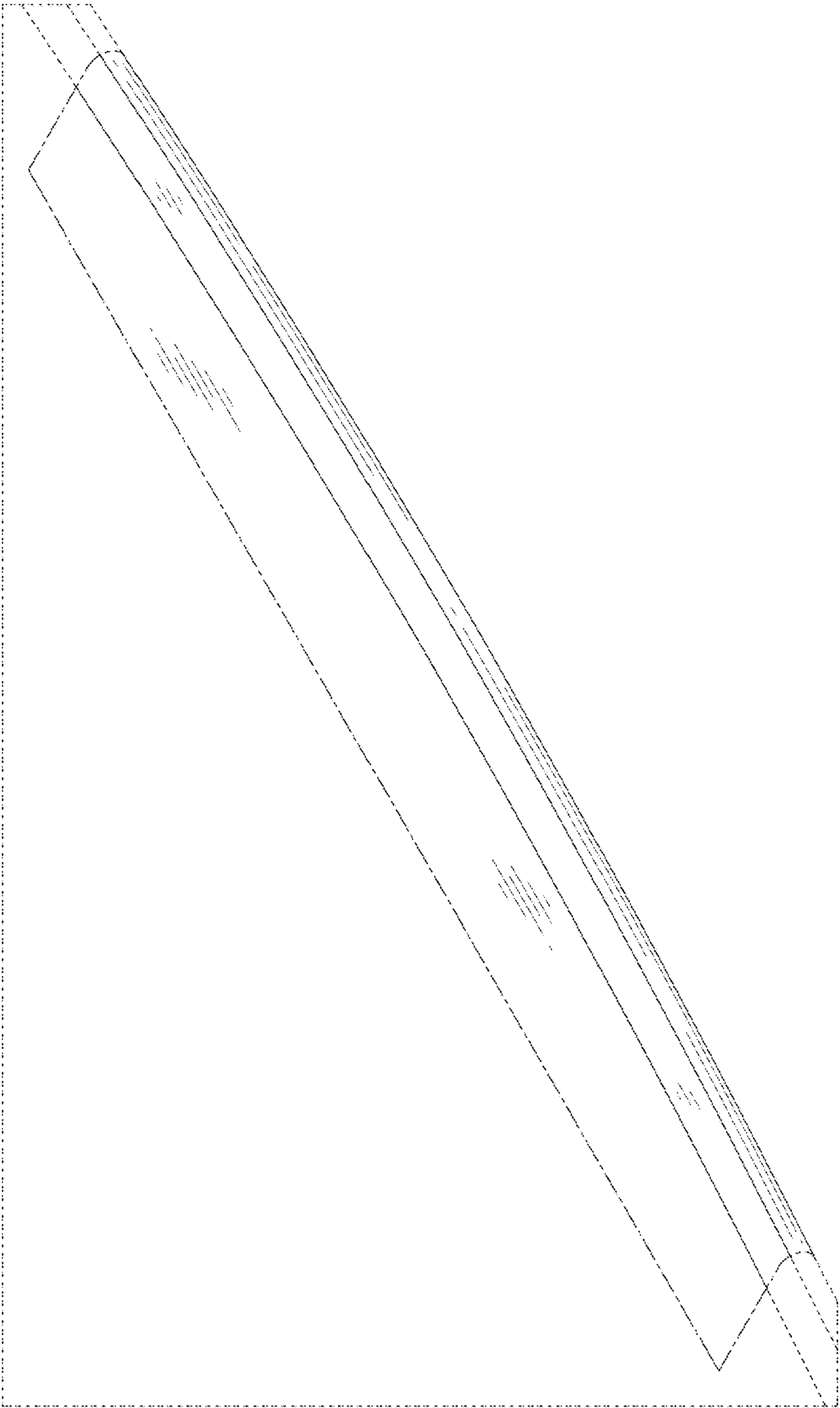


Fig.7

Fig.8

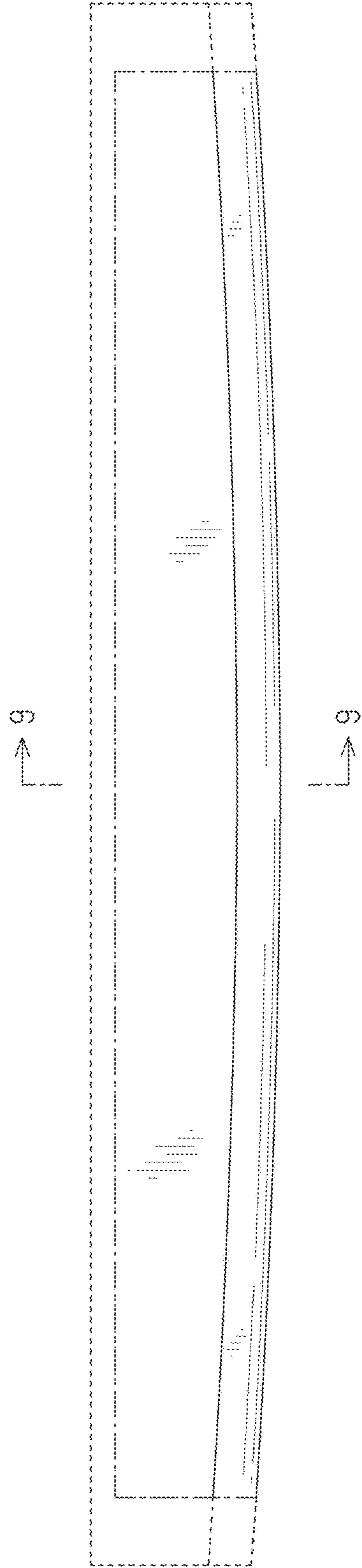
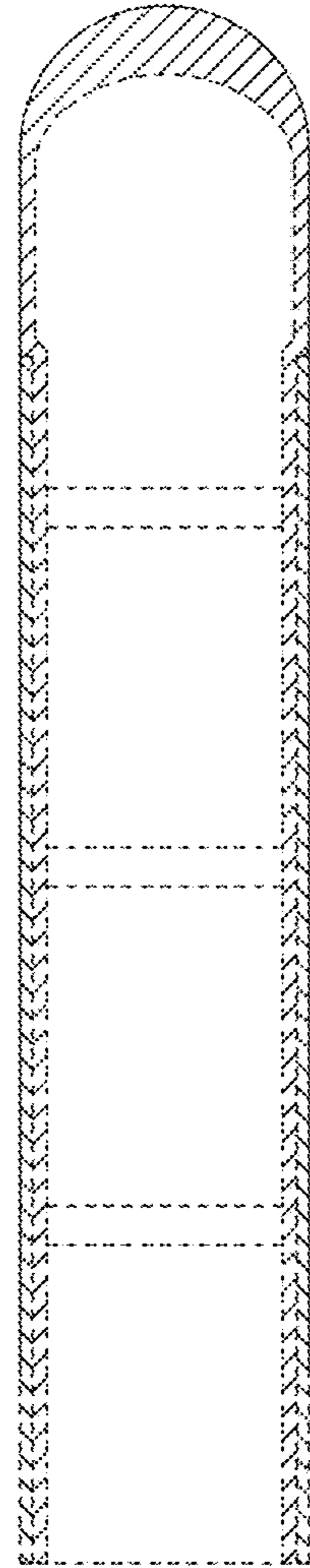


Fig.9



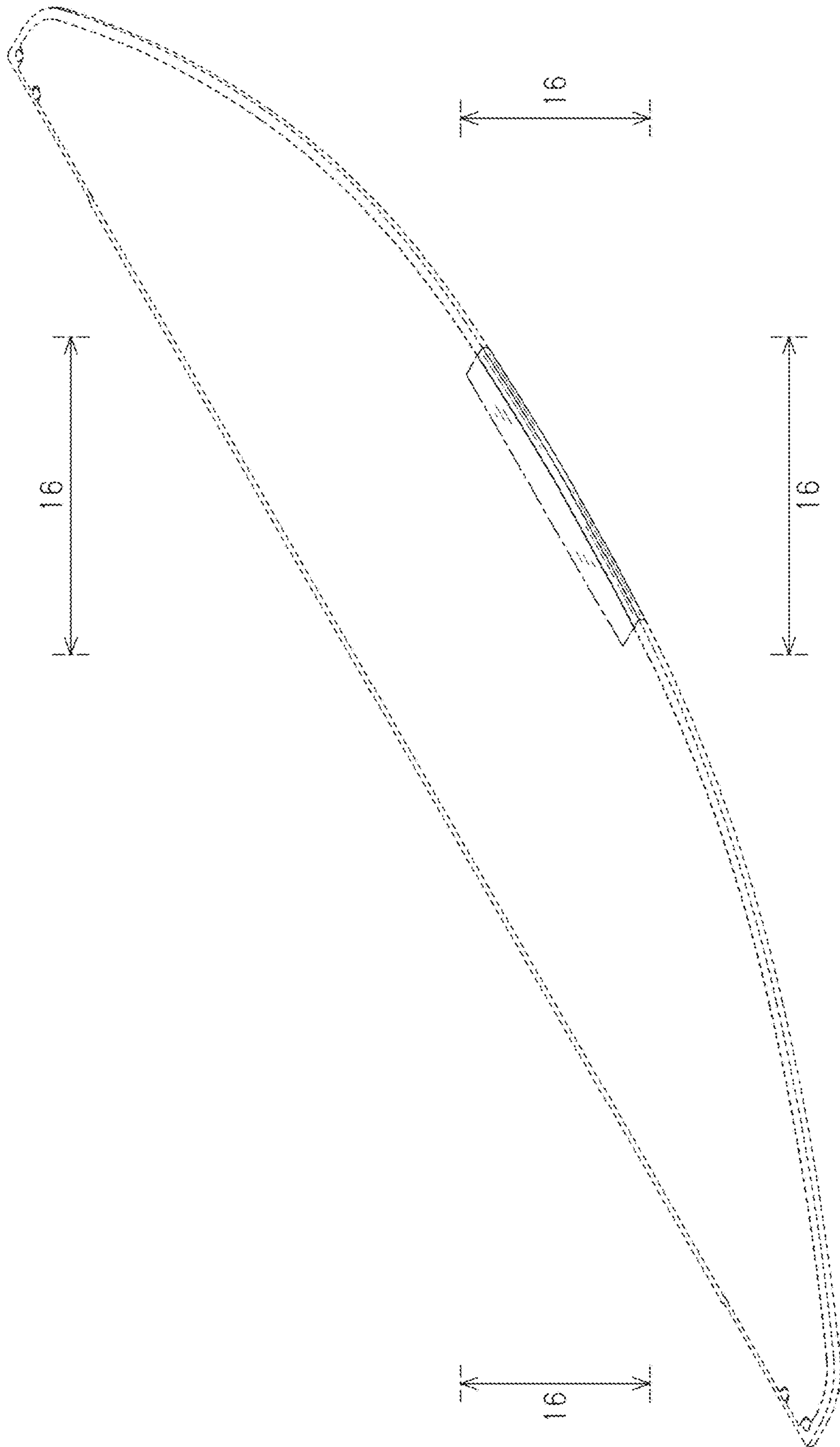


Fig. 10

Fig.11

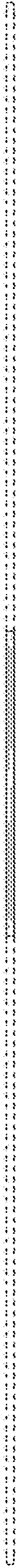


Fig.12

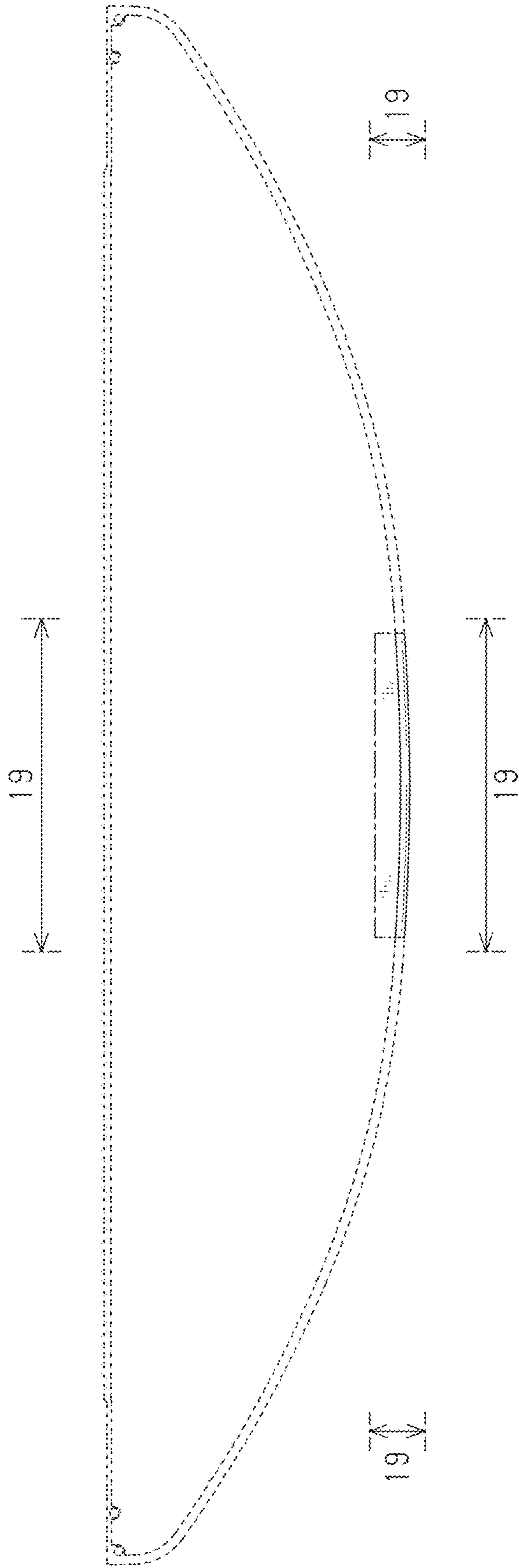


Fig. 13

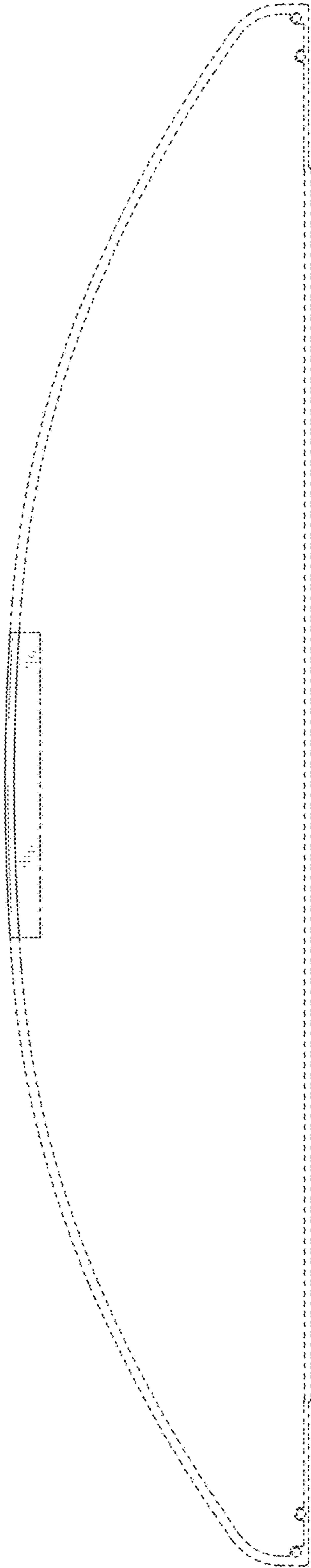


Fig. 14

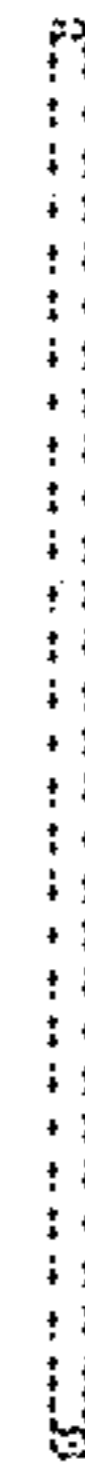


Fig. 15

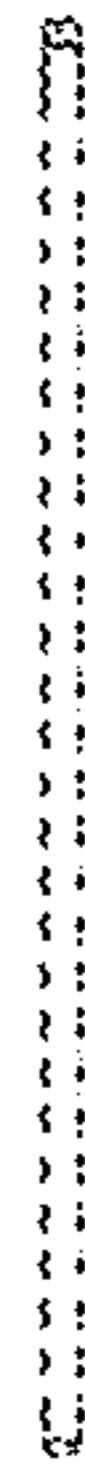


Fig. 16

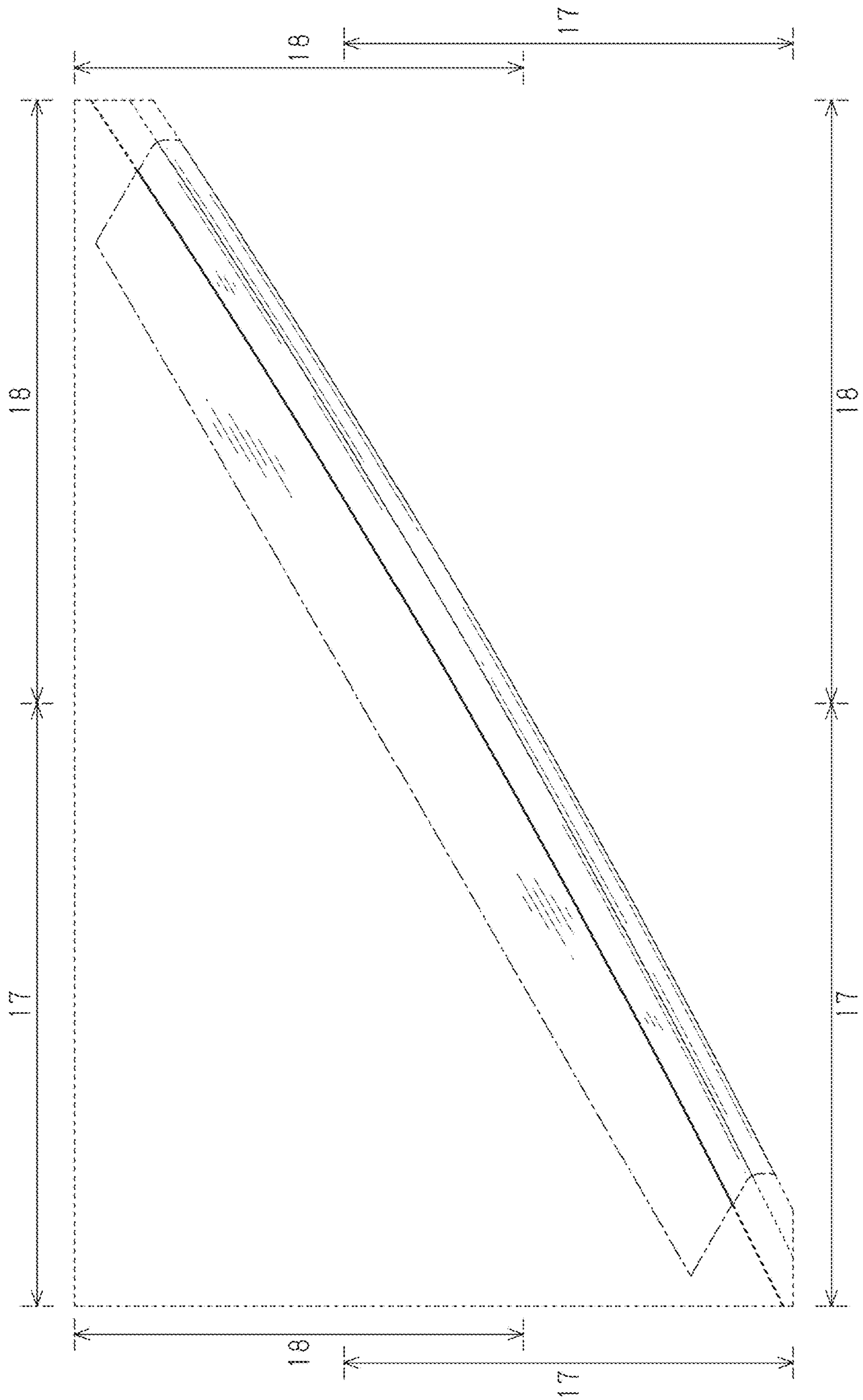
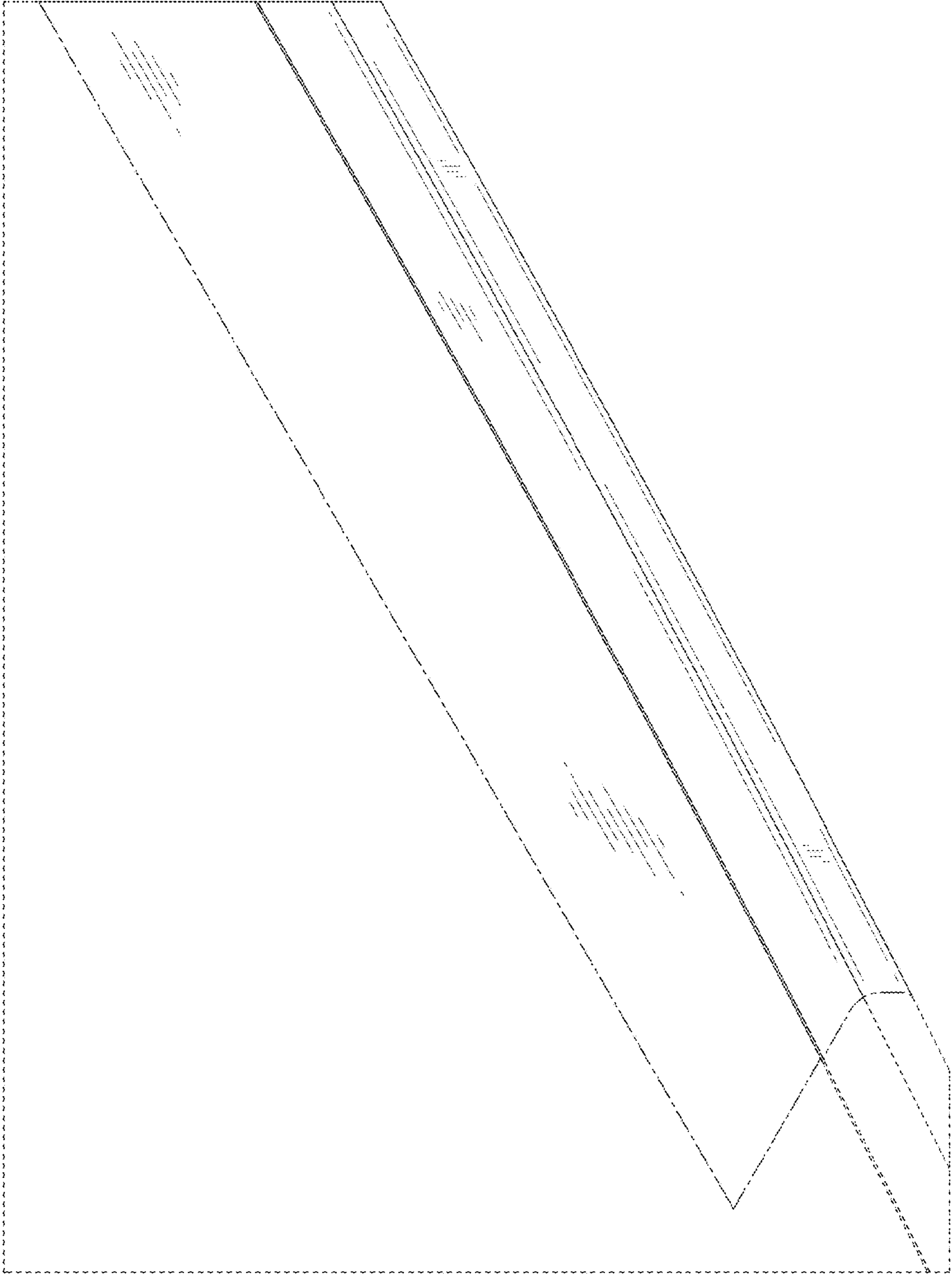


Fig.17



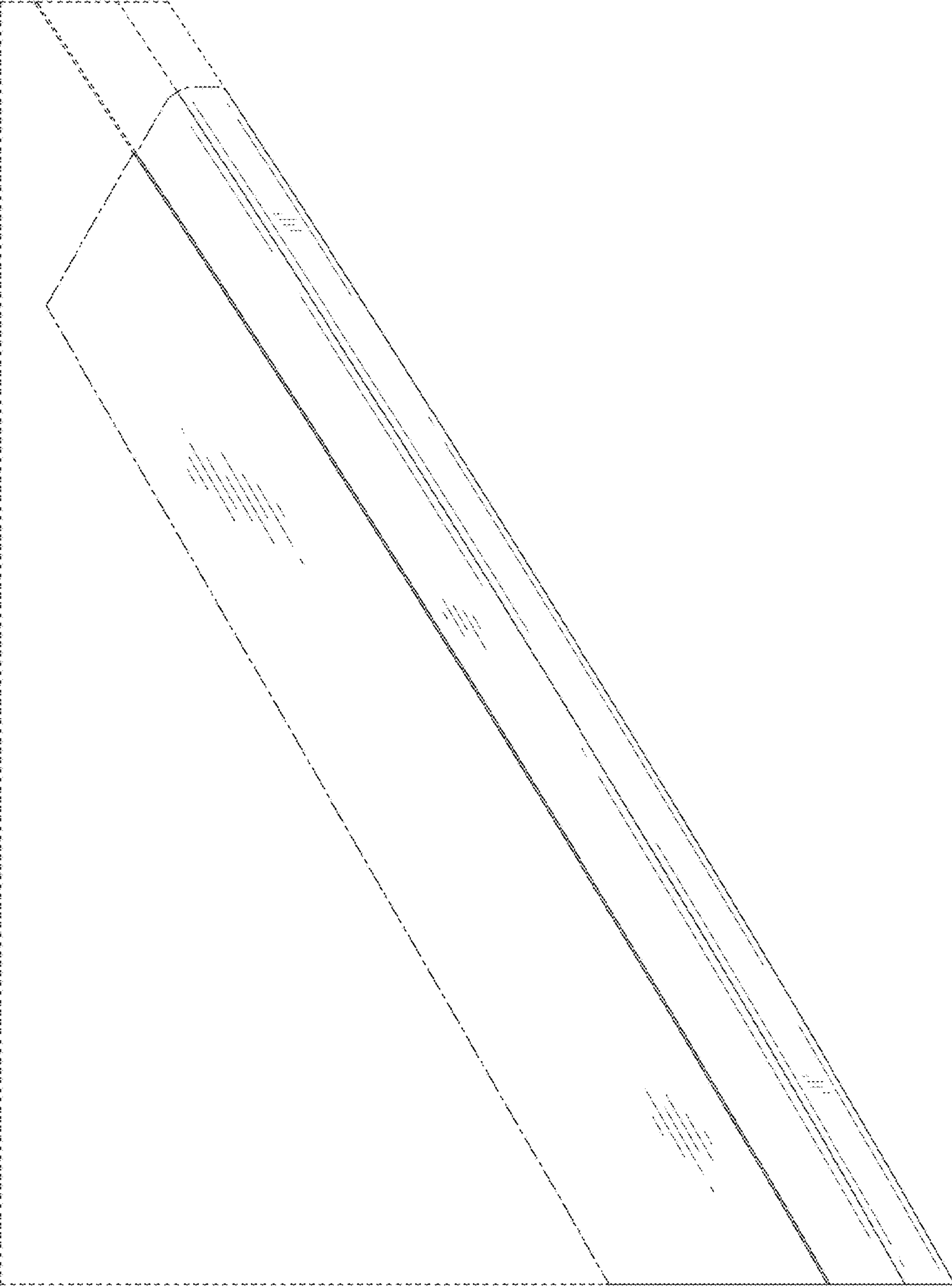


Fig. 18

Fig.19

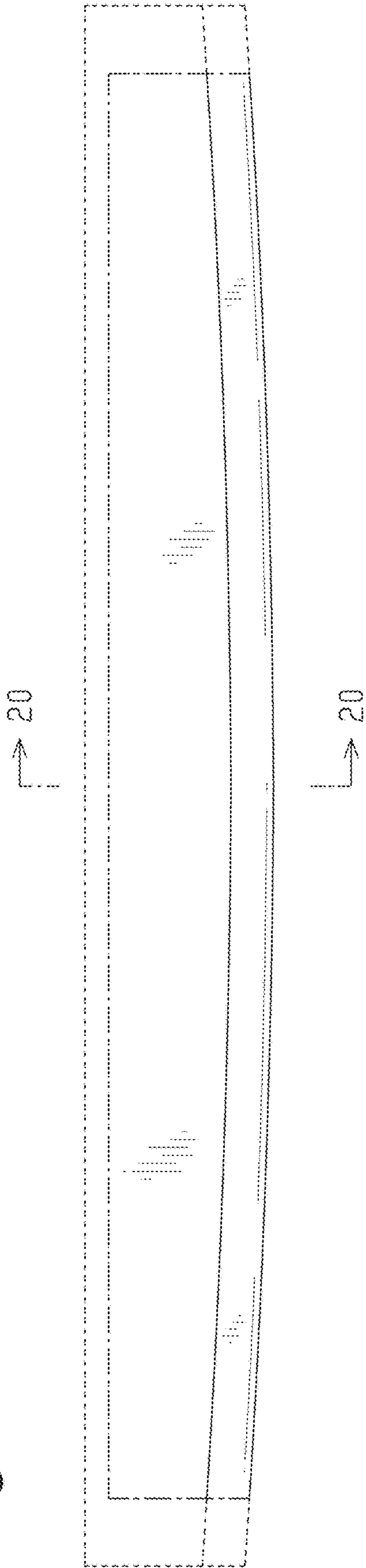
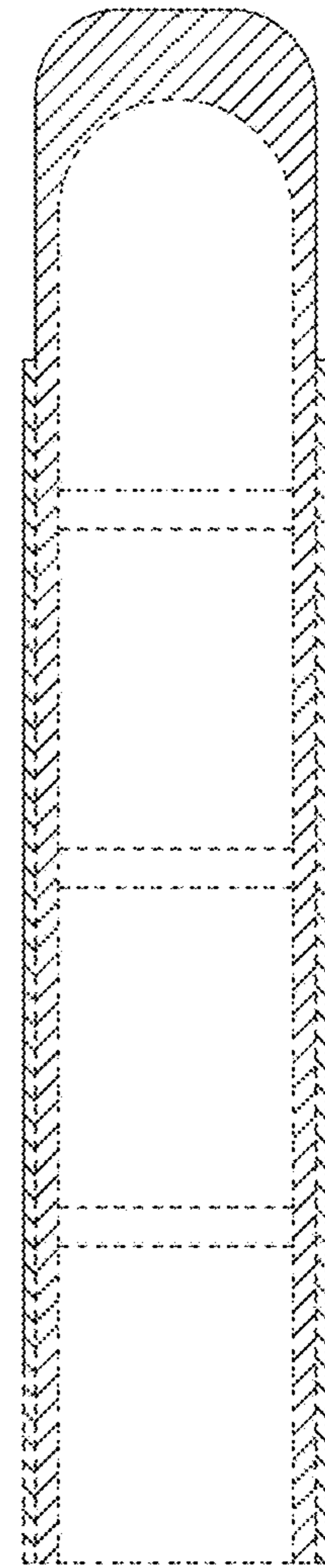


Fig.20



UNITED STATES PATENT AND TRADEMARK OFFICE
CERTIFICATE OF CORRECTION

PATENT NO. : D849,661 S
APPLICATION NO. : 29/588388
DATED : May 28, 2019
INVENTOR(S) : Fukushima et al.

Page 1 of 1

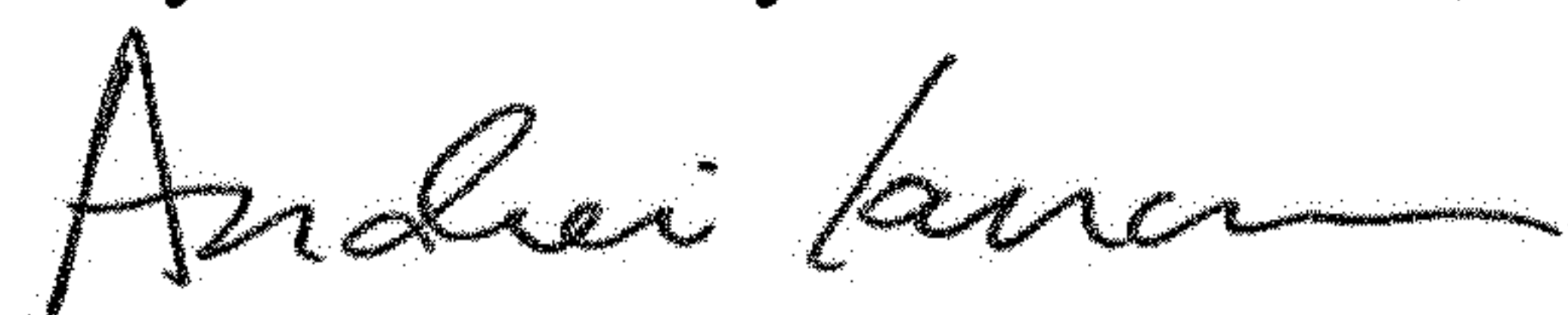
It is certified that error appears in the above-identified patent and that said Letters Patent is hereby corrected as shown below:

On the Title Page

In Item (71), in “Applicant”, in Column 1, Line 2, after “Gifu-shi”, insert --, Gifu-ken--

In Column 2, under “Description”, Line 34, delete “claimed.” and insert --claimed-- therefor

Signed and Sealed this
Twenty-second Day of December, 2020



Andrei Iancu
Director of the United States Patent and Trademark Office