



US00D849659S

(12) **United States Design Patent** (10) **Patent No.:** **US D849,659 S**
Lee (45) **Date of Patent:** **** May 28, 2019**

(54) **WHEEL CENTER CAP FOR VEHICLE**

(71) Applicant: **BossWell Korea Inc.**, Seoul (KR)

(72) Inventor: **Won Woo Lee**, Seoul (KR)

(73) Assignee: **BOSSWELL KOREA INC.**, Seoul (KR)

(**) Term: **15 Years**

(21) Appl. No.: **29/587,995**

(22) Filed: **Dec. 16, 2016**

(51) **LOC (11) Cl.** **12-16**

(52) **U.S. Cl.**
USPC **D12/213**

(58) **Field of Classification Search**
USPC D12/204–213; D9/453, 452, 443
See application file for complete search history.

(56) **References Cited**

U.S. PATENT DOCUMENTS

D392,240 S *	3/1998	Kingsland	D12/213
D393,441 S *	4/1998	Lombard	D12/204
D450,290 S *	11/2001	Schardt	D12/213
D453,914 S *	2/2002	Dumigan	D12/213
D498,198 S *	11/2004	Buma	D12/213
D498,447 S *	11/2004	Kato	D12/207

D693,222 S *	11/2013	Ramsey	D9/453
D721,963 S *	2/2015	Finkbohner	D9/453
D754,584 S *	4/2016	Fretz	D12/213
D761,183 S *	7/2016	Bennett	B60B 7/0013
				D12/213
D784,240 S *	4/2017	Platto	D12/213
D793,325 S *	8/2017	Platto	D12/213
D798,790 S *	10/2017	Meyer	D12/213
D803,137 S *	11/2017	Platto	D12/213

* cited by examiner

Primary Examiner — Stacia A Cadmus

(74) *Attorney, Agent, or Firm* — Paratus Law Group, PLLC

(57) **CLAIM**

The ornamental design for a “wheel center cap for vehicle,” as shown and described.

DESCRIPTION

FIG. 1 is a perspective view of wheel center cap for vehicle showing my new design;
FIG. 2 is a front view thereof;
FIG. 3 is a rear view thereof;
FIG. 4 is a left side view thereof;
FIG. 5 is a right side view thereof;
FIG. 6 is a top view thereof;
FIG. 7 is a bottom view thereof; and,
FIG. 8 is another perspective view thereof.

1 Claim, 4 Drawing Sheets

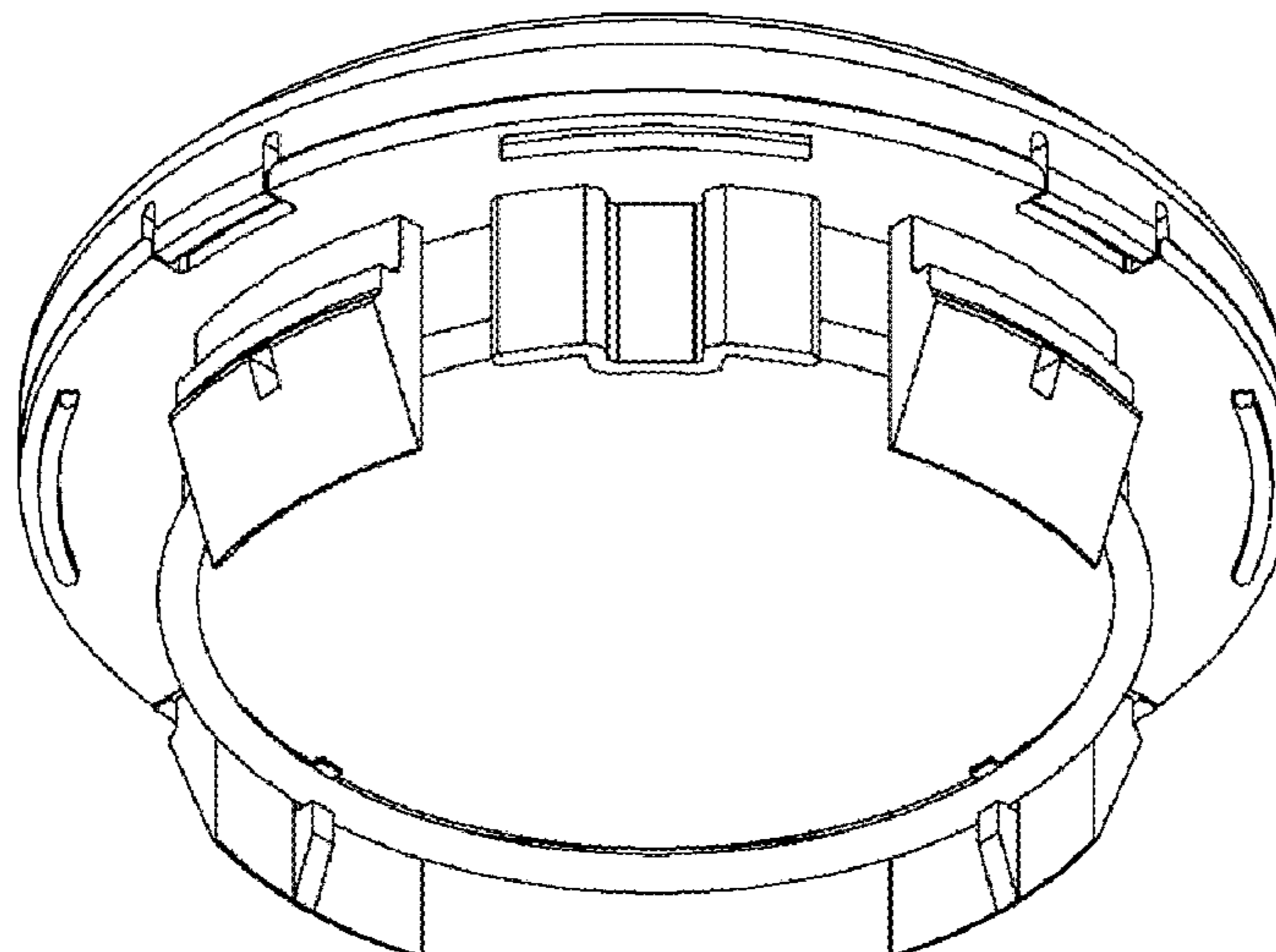
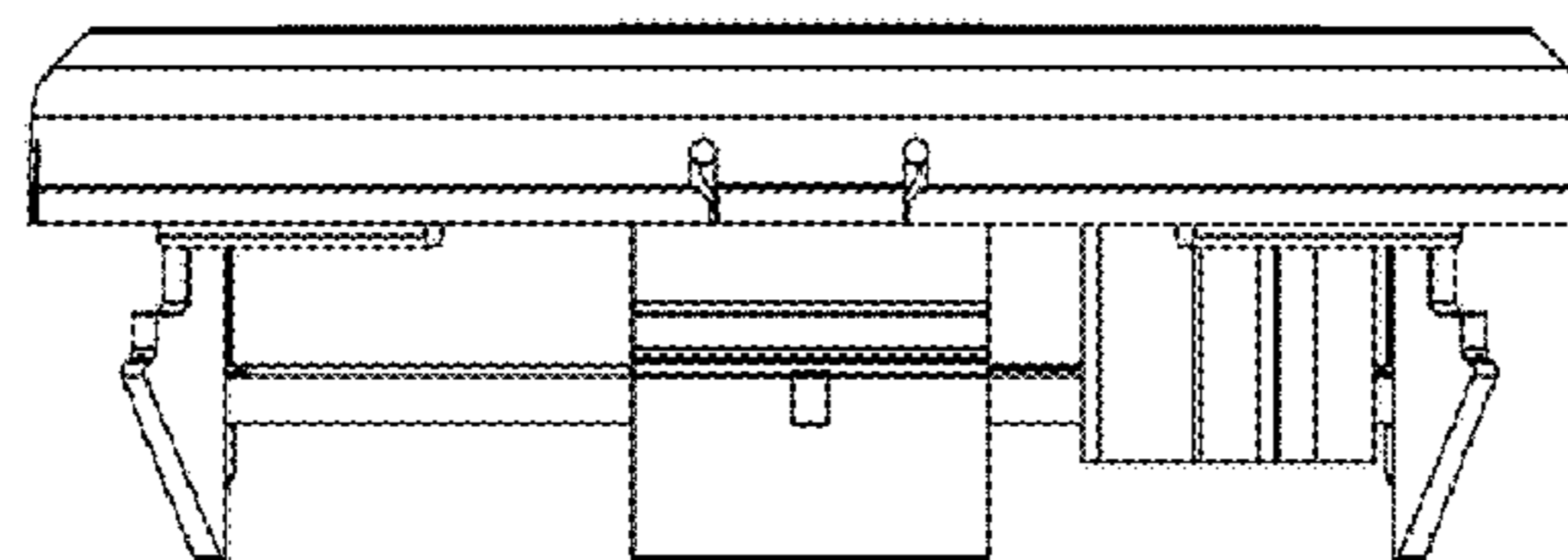


FIG. 1

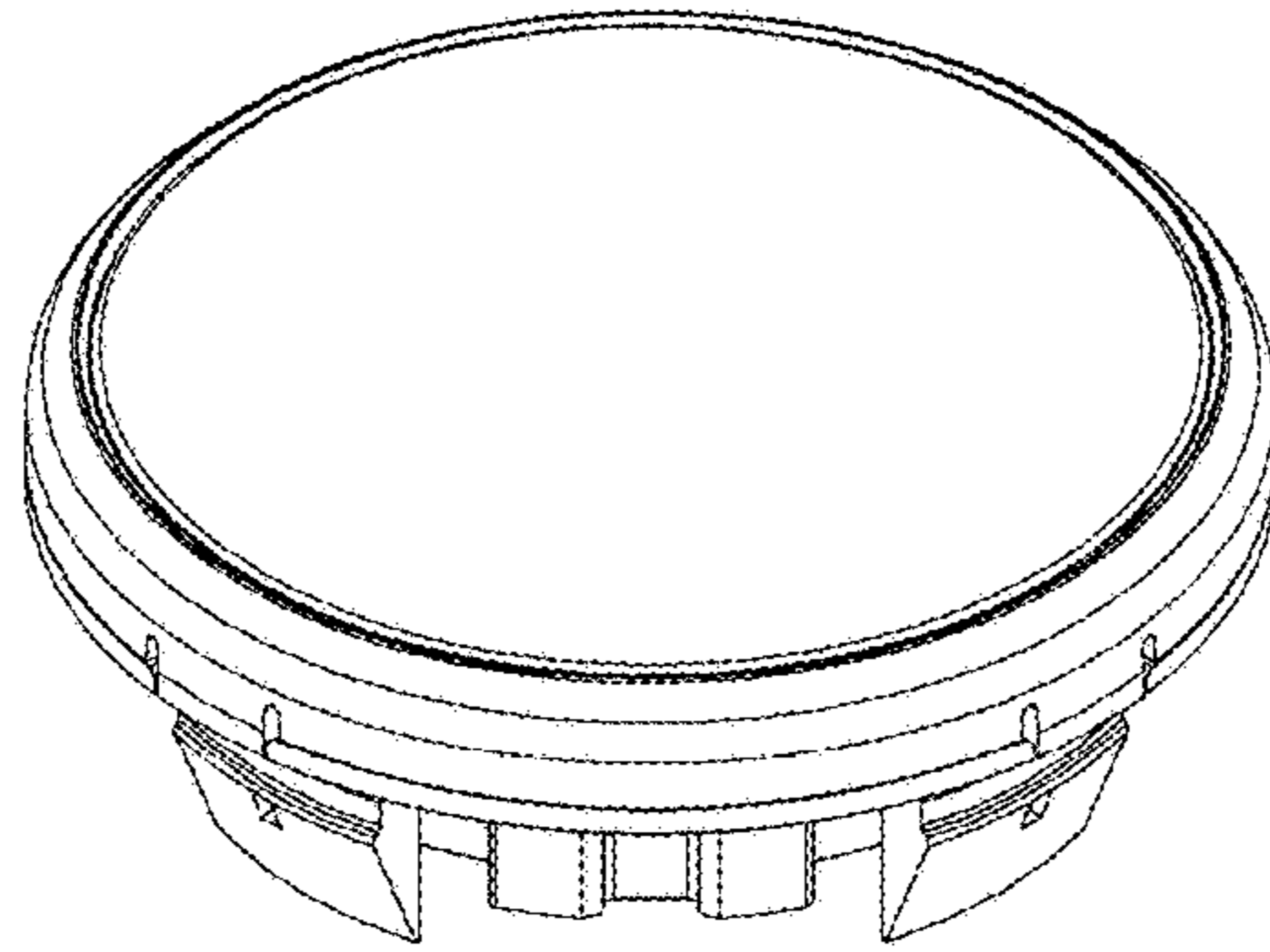


FIG. 2

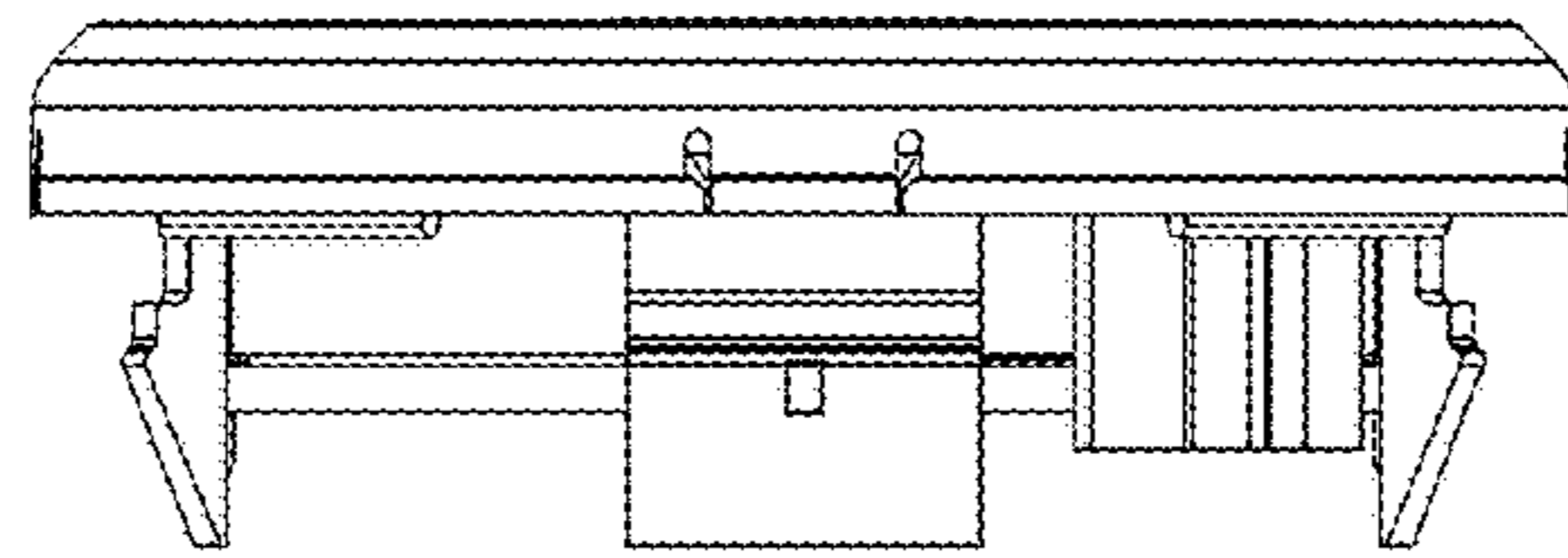


FIG. 3

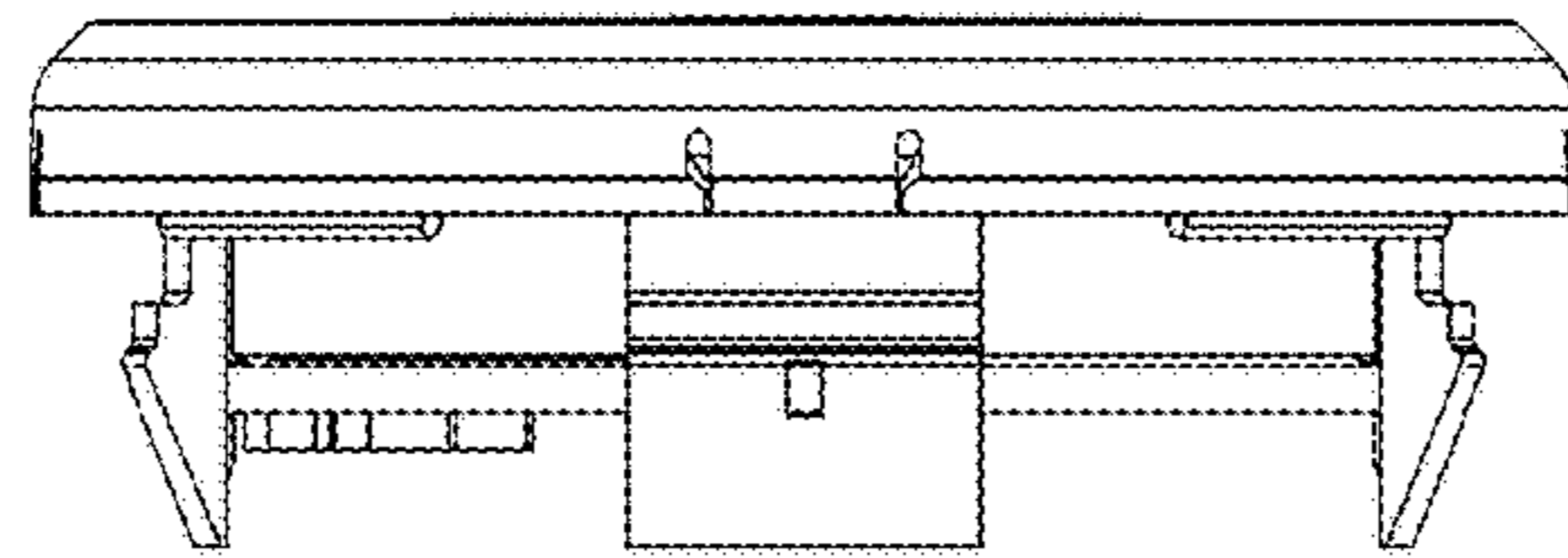


FIG. 4

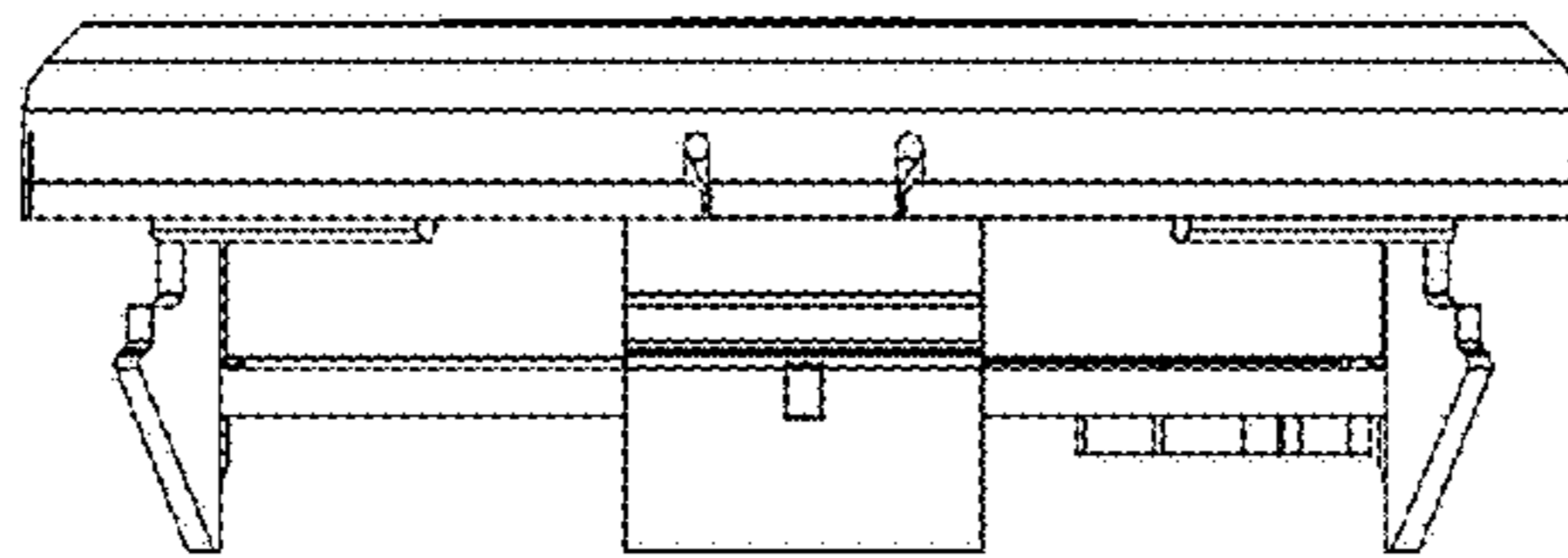


FIG. 5

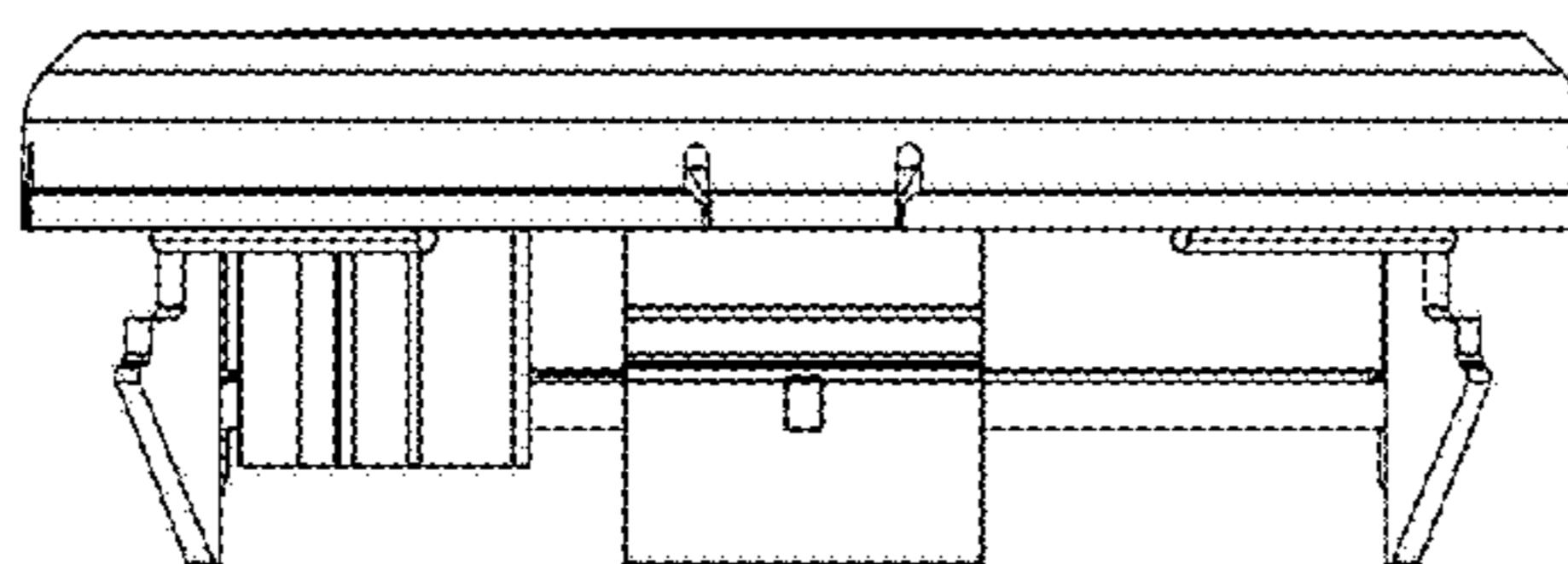


FIG. 6

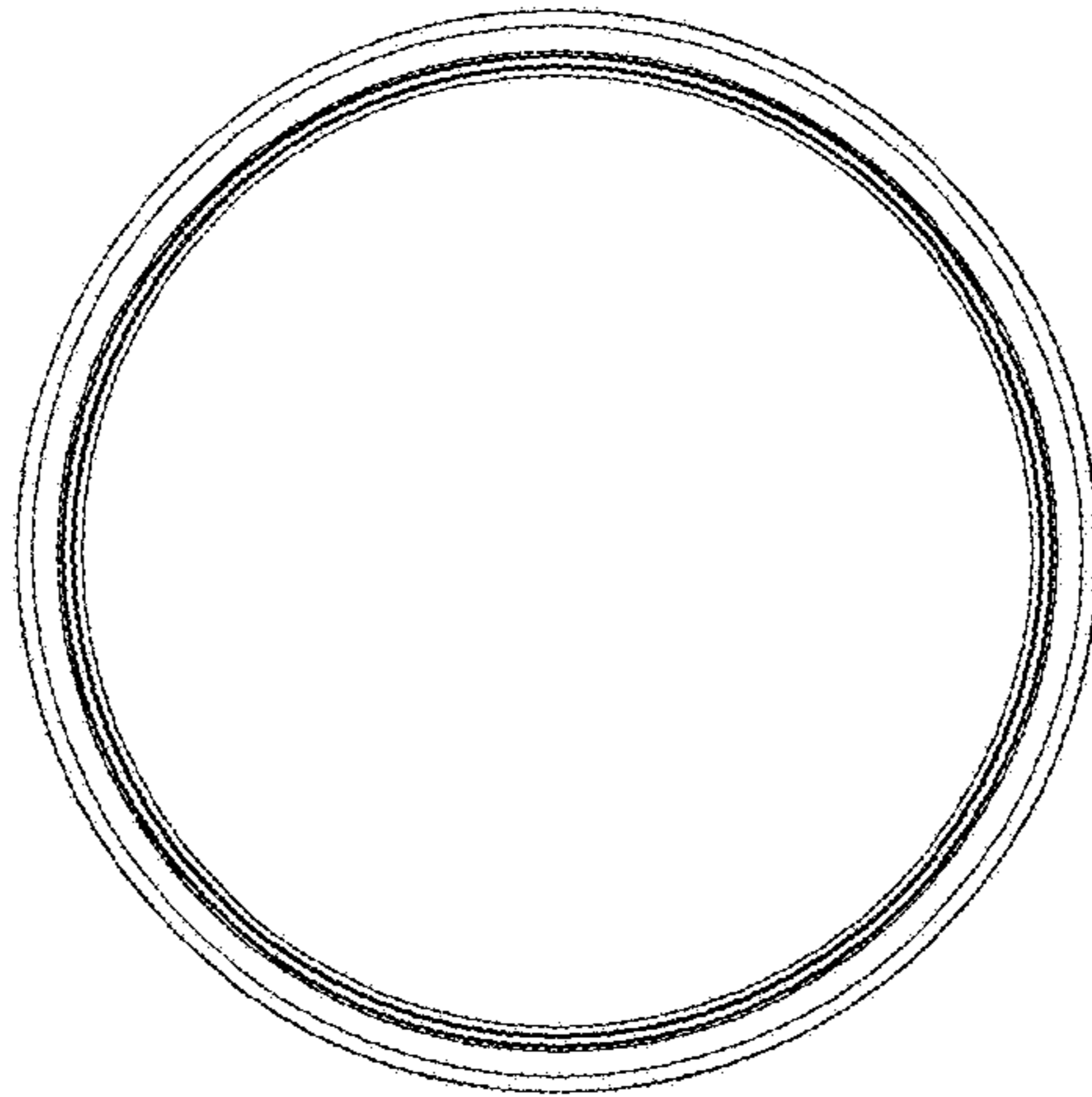


FIG. 7

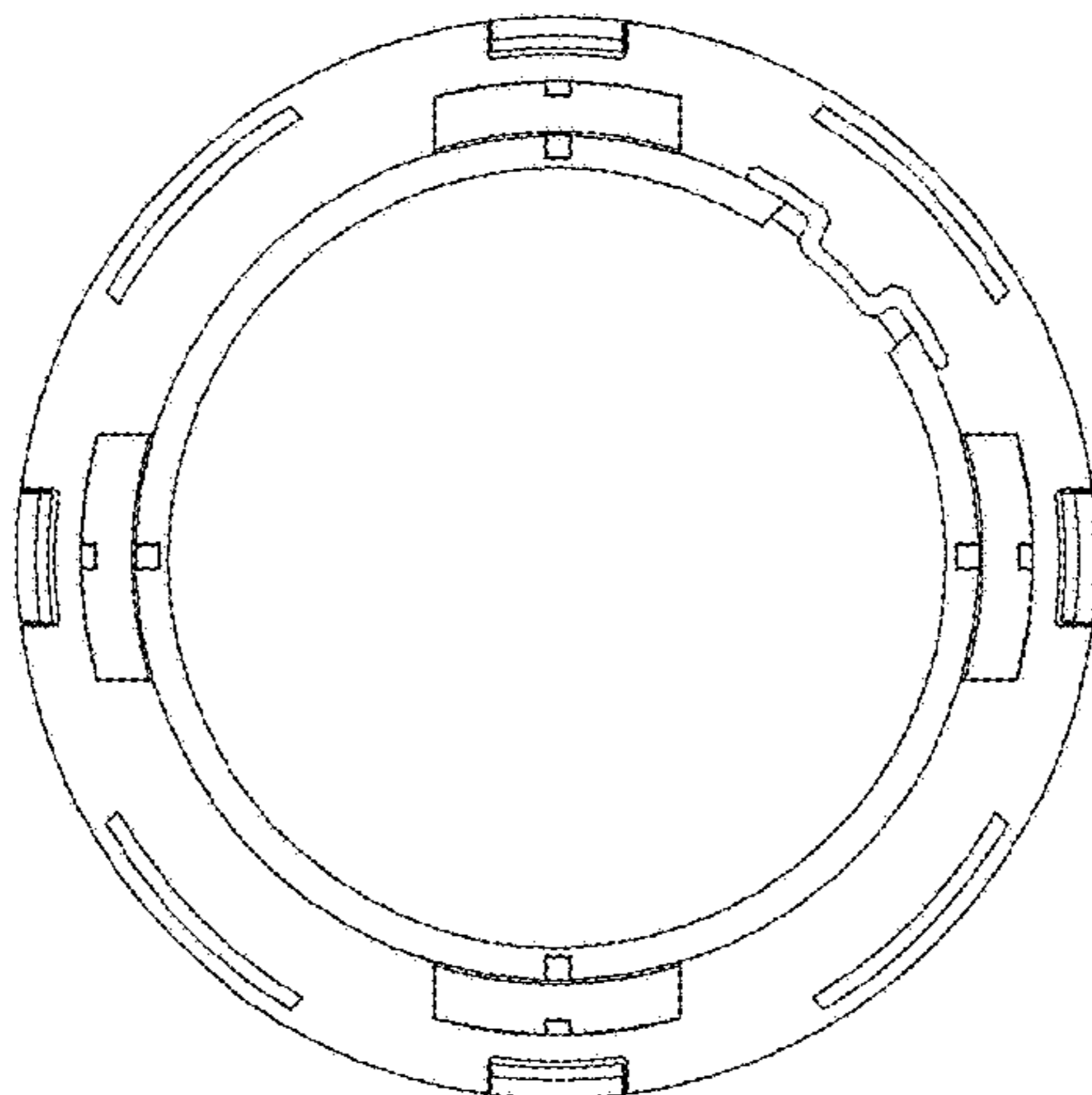


FIG. 8

