



US00D849658S

(12) **United States Design Patent**  
**Lickliter**

(10) **Patent No.:** **US D849,658 S**

(45) **Date of Patent:** **\*\* May 28, 2019**

(54) **WHEEL**

(71) Applicant: **Wheel Pros, LLC**, Greenwood Village,  
CO (US)

(72) Inventor: **Hans Lickliter**, Canyon Country, CA  
(US)

(\*\*) Term: **15 Years**

(21) Appl. No.: **29/648,934**

(22) Filed: **May 24, 2018**

(51) **LOC (11) Cl.** ..... **12-16**

(52) **U.S. Cl.**  
USPC ..... **D12/211**

(58) **Field of Classification Search**  
USPC ..... D12/204–213  
CPC .... B60B 7/00; B60B 7/02; B60B 7/04; B60B  
7/01; B60B 7/06; B60B 3/02; B60B 3/04;  
B60B 3/06; B60B 3/10; B60B 1/00;  
B60B 1/08; B60B 1/10; B60B 1/12  
See application file for complete search history.

(56) **References Cited**

U.S. PATENT DOCUMENTS

D503,919 S	*	4/2005	Cahyono	.....	D12/211
D544,822 S	*	6/2007	Walbey, Jr.	.....	D12/211
D602,834 S	*	10/2009	Dilber	.....	D12/211
D616,349 S	*	5/2010	Kim	.....	D12/209

D652,777 S	*	1/2012	Spogis	.....	D12/211
D654,007 S	*	2/2012	Nissl	.....	D12/211
D686,135 S	*	7/2013	Borkert	.....	D12/211
D703,603 S	*	4/2014	Tirado	.....	D12/211
D706,199 S	*	6/2014	Chung	.....	D12/211
D722,548 S	*	2/2015	Chung	.....	D12/211
D727,829 S	*	4/2015	Chung	.....	D12/211
D736,135 S	*	8/2015	Grake	.....	D12/211
D753,573 S	*	4/2016	Watkin	.....	D12/211
D758,279 S	*	6/2016	Platto	.....	D12/211
D763,772 S	*	8/2016	Chung	.....	D12/211
D765,005 S	*	8/2016	Garbas	.....	D12/211
D786,161 S	*	5/2017	Vartola	.....	D12/211
D787,407 S	*	5/2017	Chung	.....	D12/211
D792,315 S	*	7/2017	Mielke	.....	D12/211
D834,489 S	*	11/2018	Sempek	.....	D12/211

\* cited by examiner

*Primary Examiner* — Stacia A Cadmus

(74) *Attorney, Agent, or Firm* — Eric Hanscom

(57) **CLAIM**

The ornamental design for a wheel, as shown and described.

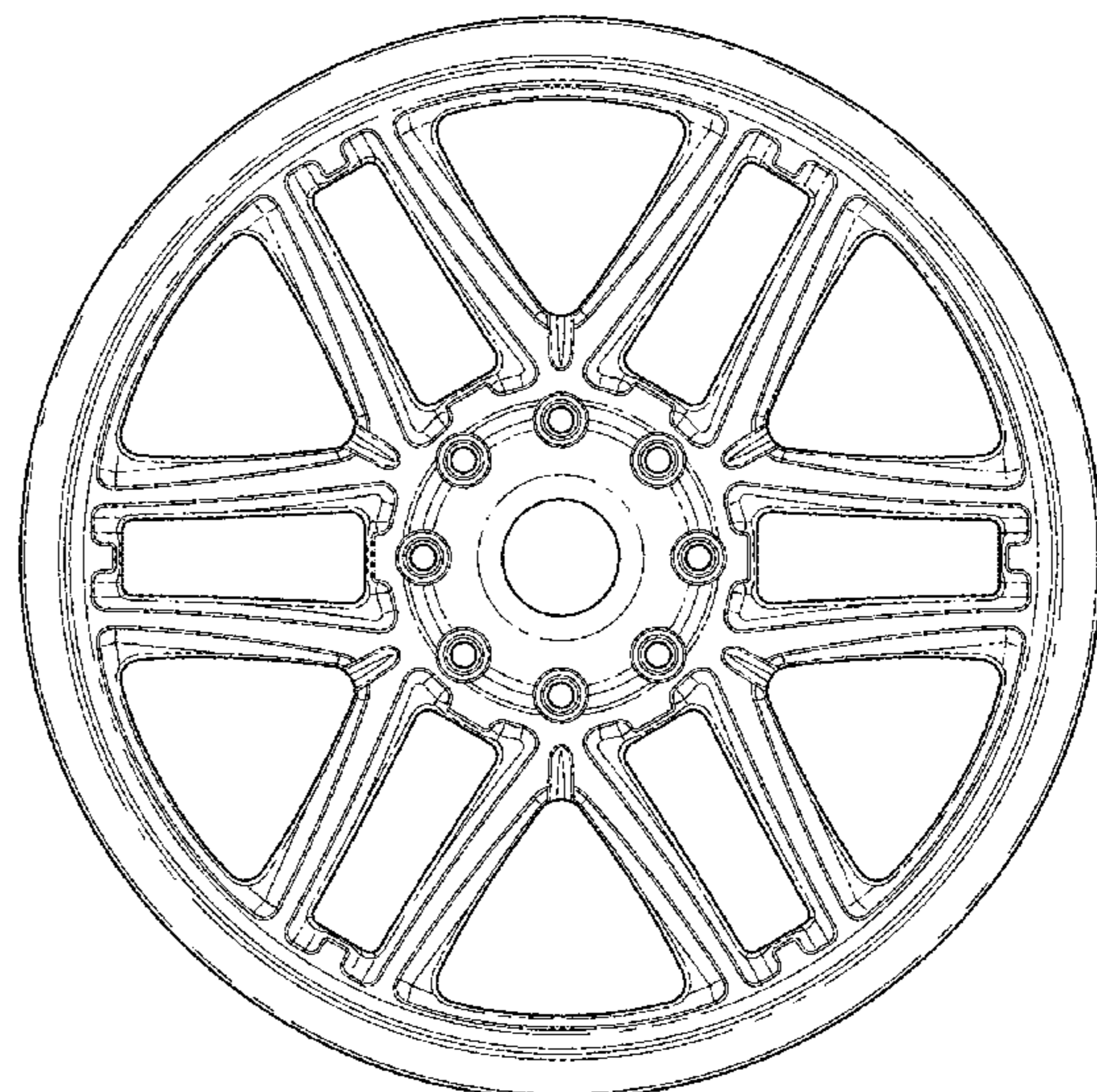
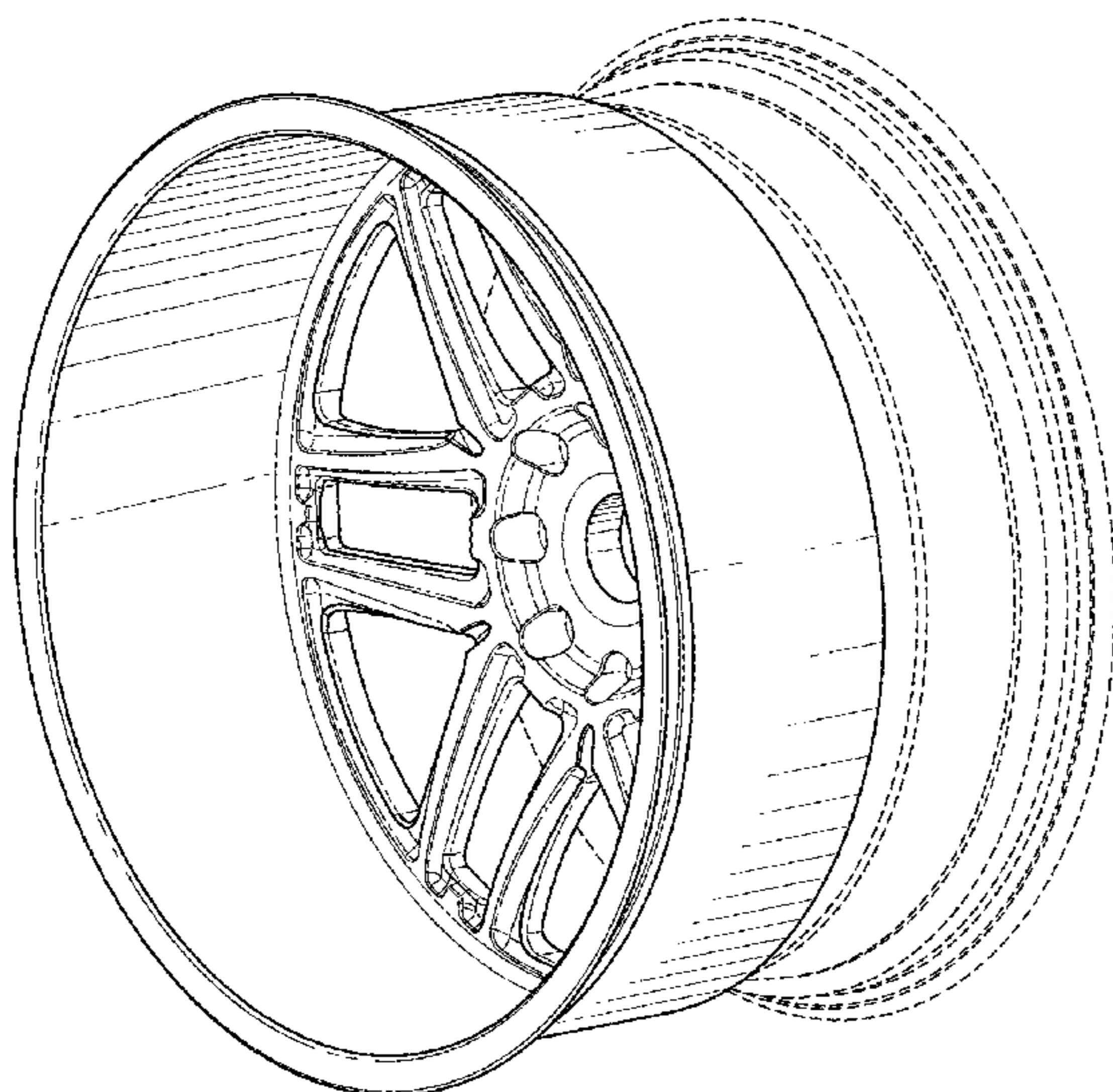
**DESCRIPTION**

FIG. 1 is a perspective view of a wheel showing my new design; and,

FIG. 2 is a front view thereof.

In the drawings, broken lines shown in the drawings depict environmental subject matter only and form no part of the claimed design.

**1 Claim, 2 Drawing Sheets**



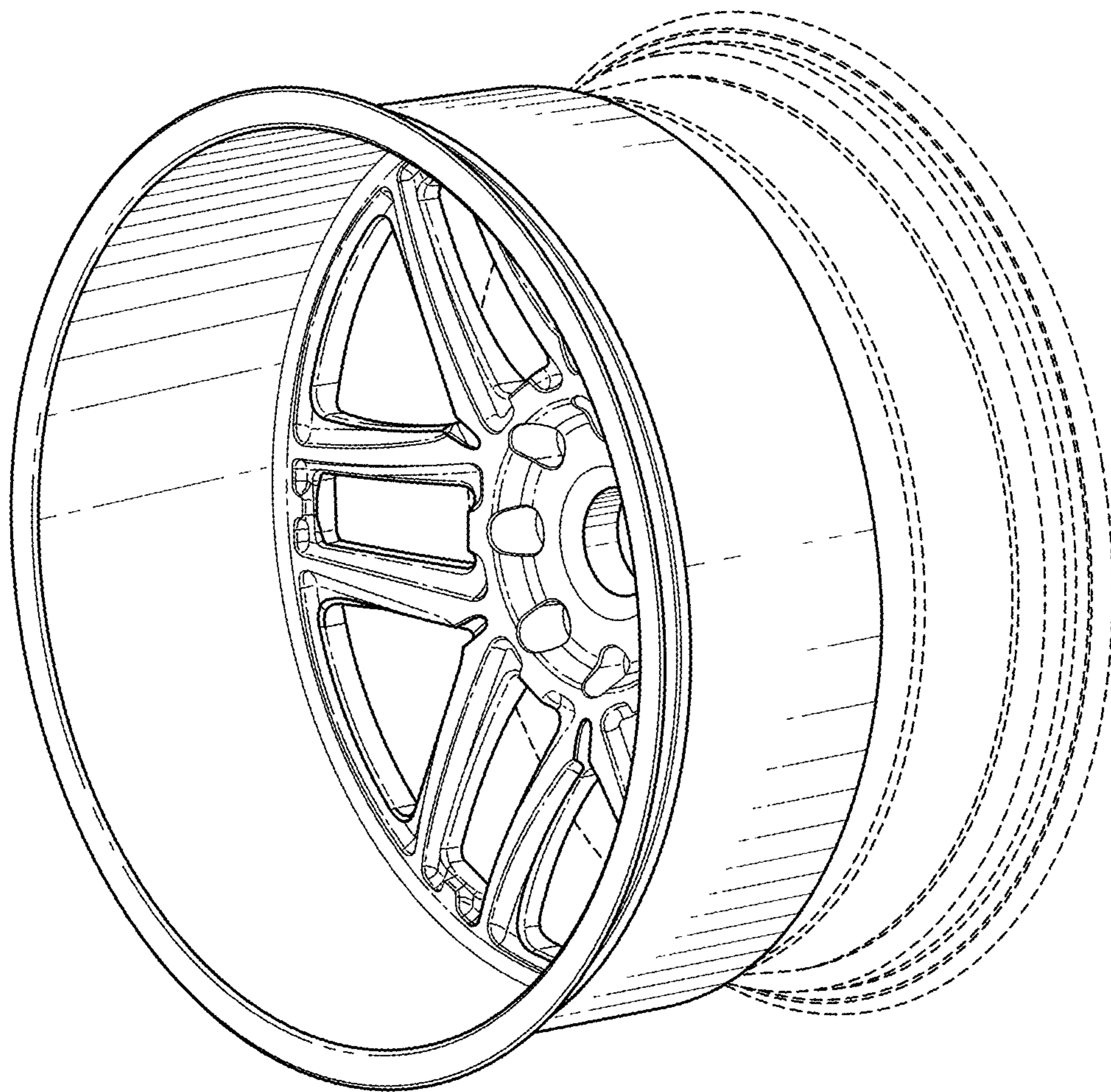


FIG. 1

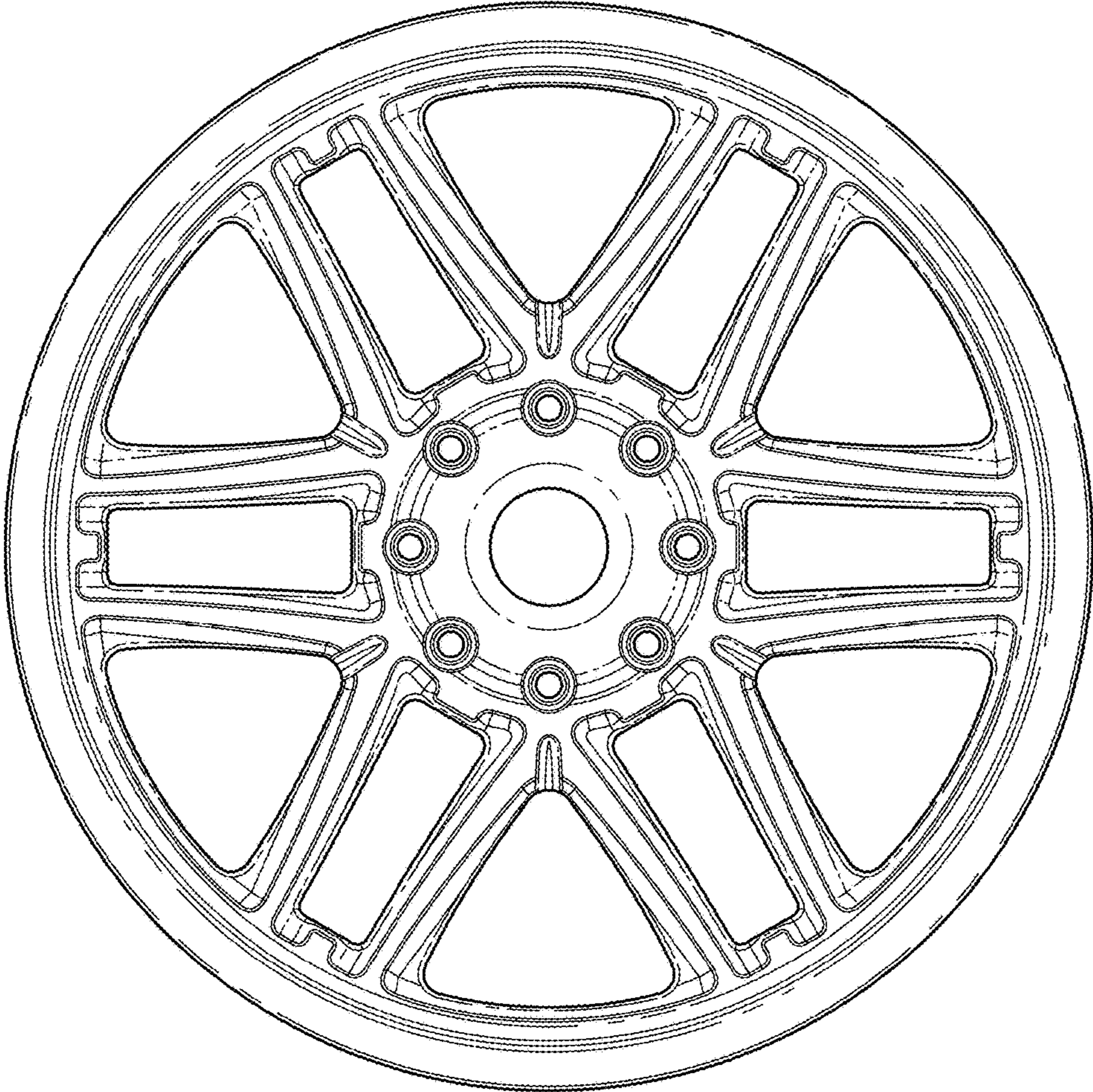


FIG. 2