



US00D849657S

(12) **United States Design Patent**
Kong

(10) **Patent No.:** **US D849,657 S**

(45) **Date of Patent:** **** May 28, 2019**

(54) **WHEEL**

(71) Applicant: **Wheel Pros, LLC**, Greenwood Village,
CO (US)

(72) Inventor: **Berky Kong**, Hong Kong (HK)

(**) Term: **15 Years**

(21) Appl. No.: **29/648,532**

(22) Filed: **May 22, 2018**

(51) **LOC (11) Cl.** **12-16**

(52) **U.S. Cl.**
USPC **D12/211**

(58) **Field of Classification Search**
USPC D12/204–213
CPC B60B 7/00; B60B 7/02; B60B 7/04; B60B
7/01; B60B 7/06; B60B 3/02; B60B 3/04;
B60B 3/06; B60B 33/10; B60B 1/00;
B60B 1/08; B60B 1/10; B60B 1/12
See application file for complete search history.

(56) **References Cited**

U.S. PATENT DOCUMENTS

D426,184 S *	6/2000	Goplen	D12/209
D459,689 S *	7/2002	Hieke	D12/211
D492,927 S *	7/2004	Fitzgerald	D12/211
D530,252 S *	10/2006	Gabath	D12/209
D530,258 S *	10/2006	Schell	D12/211

D531,104 S *	10/2006	Kim	D12/209
D698,298 S *	1/2014	Cortes	D12/210
D706,198 S *	6/2014	Chung	D12/211
D714,706 S *	10/2014	Chung	D12/211
D738,279 S *	9/2015	Dionisopoulos	D12/209
D760,140 S *	6/2016	Chung	D12/209
D789,861 S *	6/2017	Macey	D12/209
D800,630 S *	10/2017	Tran	D12/209
D801,903 S *	11/2017	Chung	D12/211
D811,980 S *	3/2018	Chung	D12/211
D812,541 S *	3/2018	Chung	D12/211
D824,317 S *	7/2018	Harriton	D12/211
D830,266 S *	10/2018	Licklitter	D12/209

* cited by examiner

Primary Examiner — Stacia A Cadmus

(74) *Attorney, Agent, or Firm* — Eric Hanscom

(57) **CLAIM**

The ornamental design for a wheel, as shown and described.

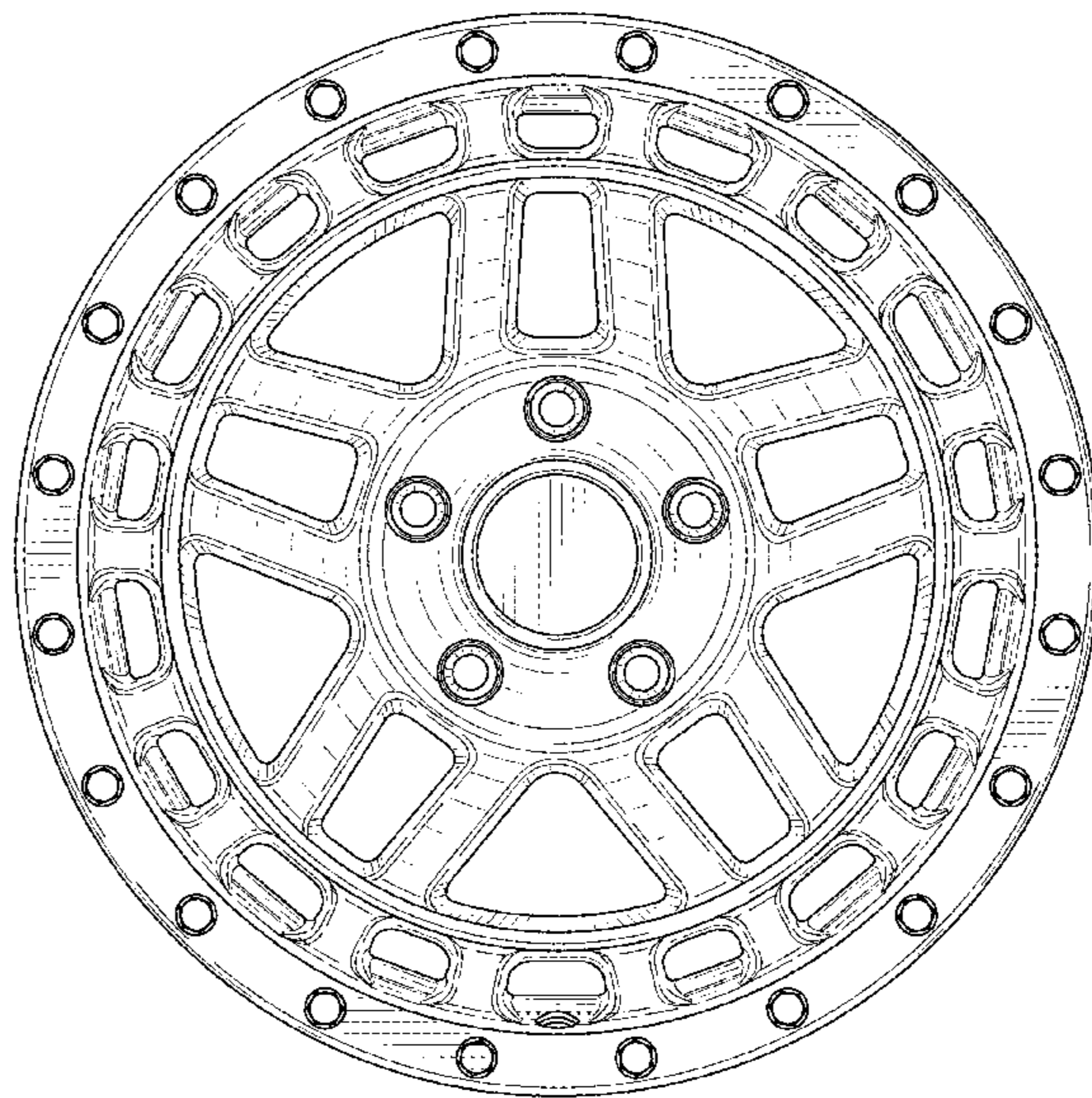
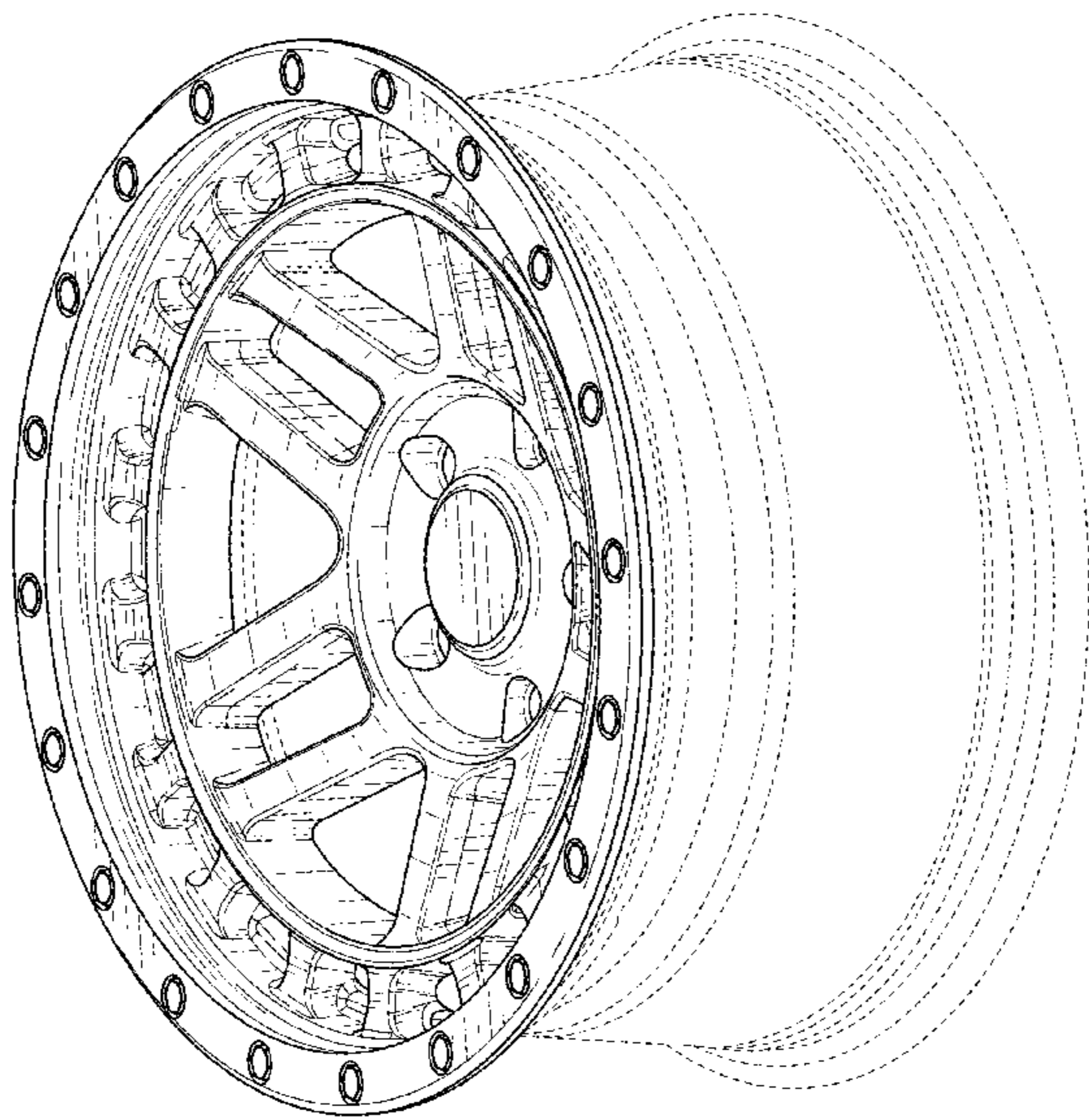
DESCRIPTION

FIG. 1 is a perspective view of a wheel showing my new design; and,

FIG. 2 is a front view thereof.

In the drawings, broken lines shown in the drawings depict environmental subject matter only and form no part of the claimed design.

1 Claim, 2 Drawing Sheets



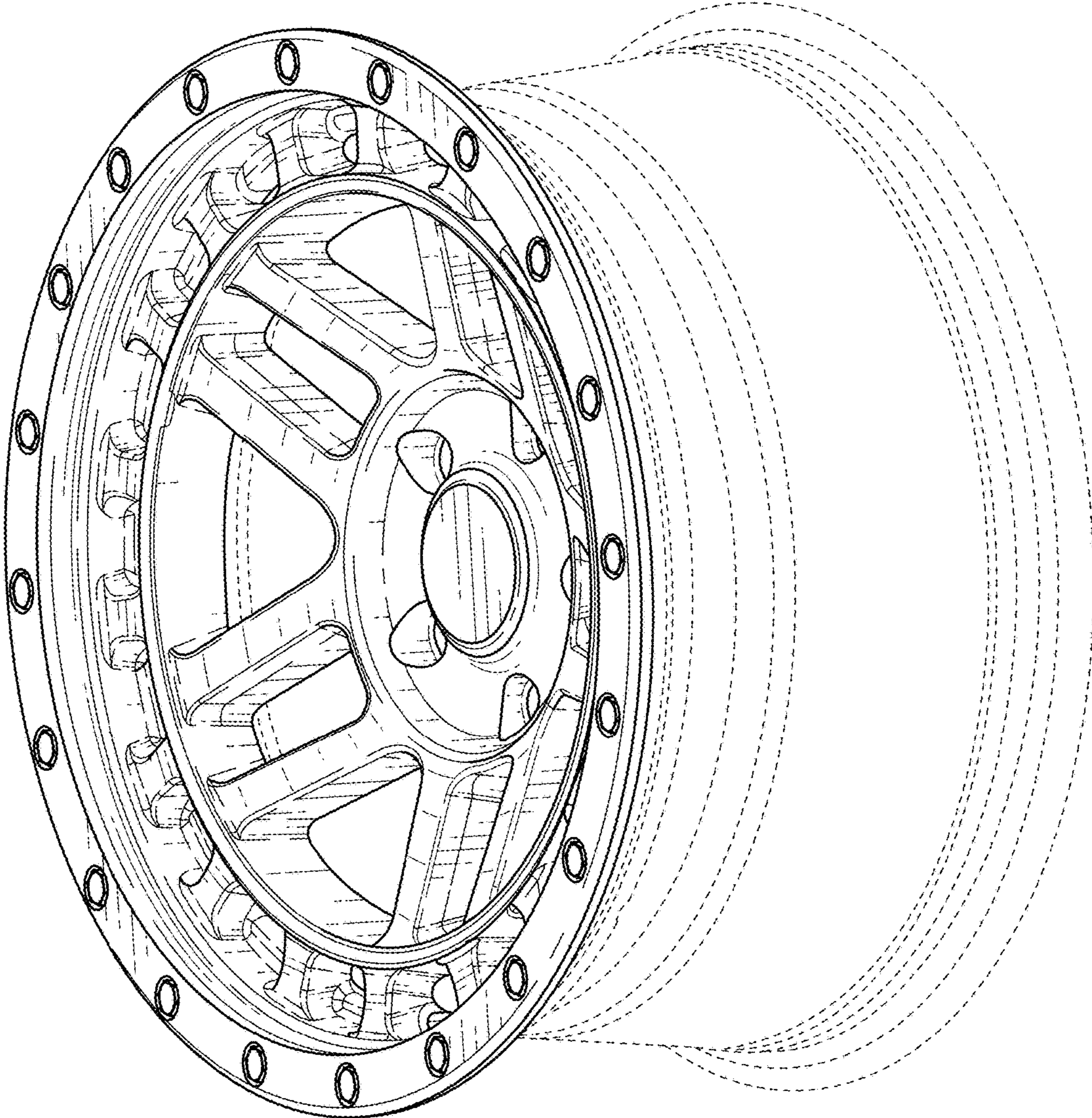


FIG. 1

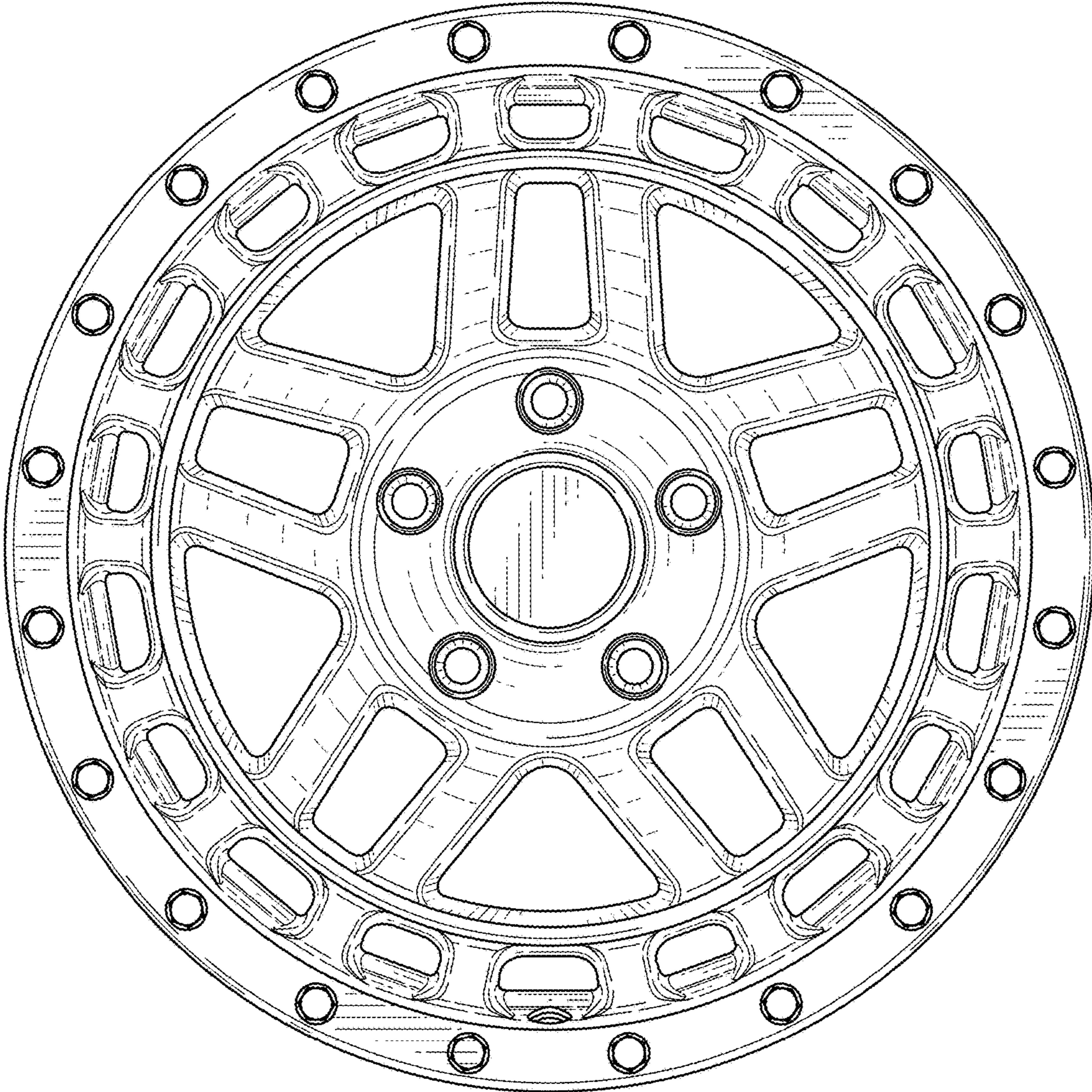


FIG. 2