



US00D849655S

(12) **United States Design Patent**
Kong

(10) **Patent No.:** **US D849,655 S**

(45) **Date of Patent:** **** May 28, 2019**

(54) **WHEEL**

(71) Applicant: **Wheel Pros, LLC**, Greenwood Village,
CO (US)

(72) Inventor: **Berky Kong**, Hong Kong (HK)

(**) Term: **15 Years**

(21) Appl. No.: **29/585,034**

(22) Filed: **Nov. 18, 2016**

(51) **LOC (11) Cl.** **12-16**

(52) **U.S. Cl.**
USPC **D12/211**

(58) **Field of Classification Search**
USPC D12/204–213
CPC B60B 7/00; B60B 7/02; B60B 7/04; B60B
7/01; B60B 7/06; B60B 3/02; B60B 3/04;
B60B 3/06; B60B 3/10; B60B 1/00;
B60B 1/08; B60B 1/10; B60B 1/12
See application file for complete search history.

(56) **References Cited**

U.S. PATENT DOCUMENTS

D688,190 S * 8/2013 Hodges D12/211
D701,813 S * 4/2014 Kern D12/211

D717,711 S * 11/2014 Kern D12/211
D726,089 S * 4/2015 Hodges D12/211
D756,877 S * 5/2016 Huang D12/209
D778,800 S * 2/2017 Chung D12/211
D789,866 S * 6/2017 Giolito D12/211
D798,215 S * 9/2017 Alfonso D12/211
D800,633 S * 10/2017 Kong D12/211
D803,752 S * 11/2017 Sempek D12/211
D807,270 S * 1/2018 Zhao D12/211
D829,153 S * 9/2018 Han D12/209
D836,521 S * 12/2018 Yeh D12/209

* cited by examiner

Primary Examiner — Stacia A Cadmus

(74) *Attorney, Agent, or Firm* — Eric Hanscom

(57) **CLAIM**

The ornamental design for a wheel, as shown and described.

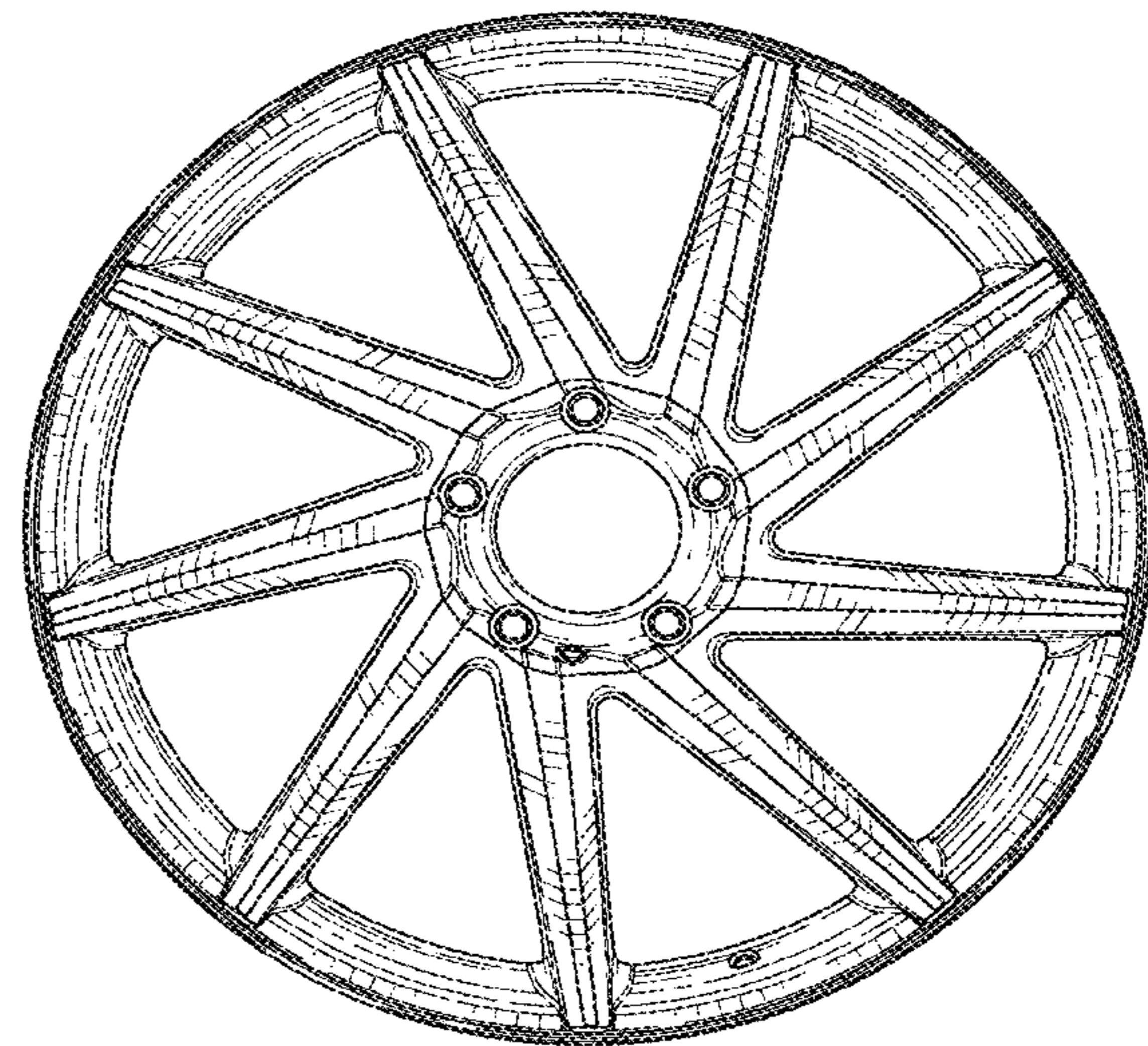
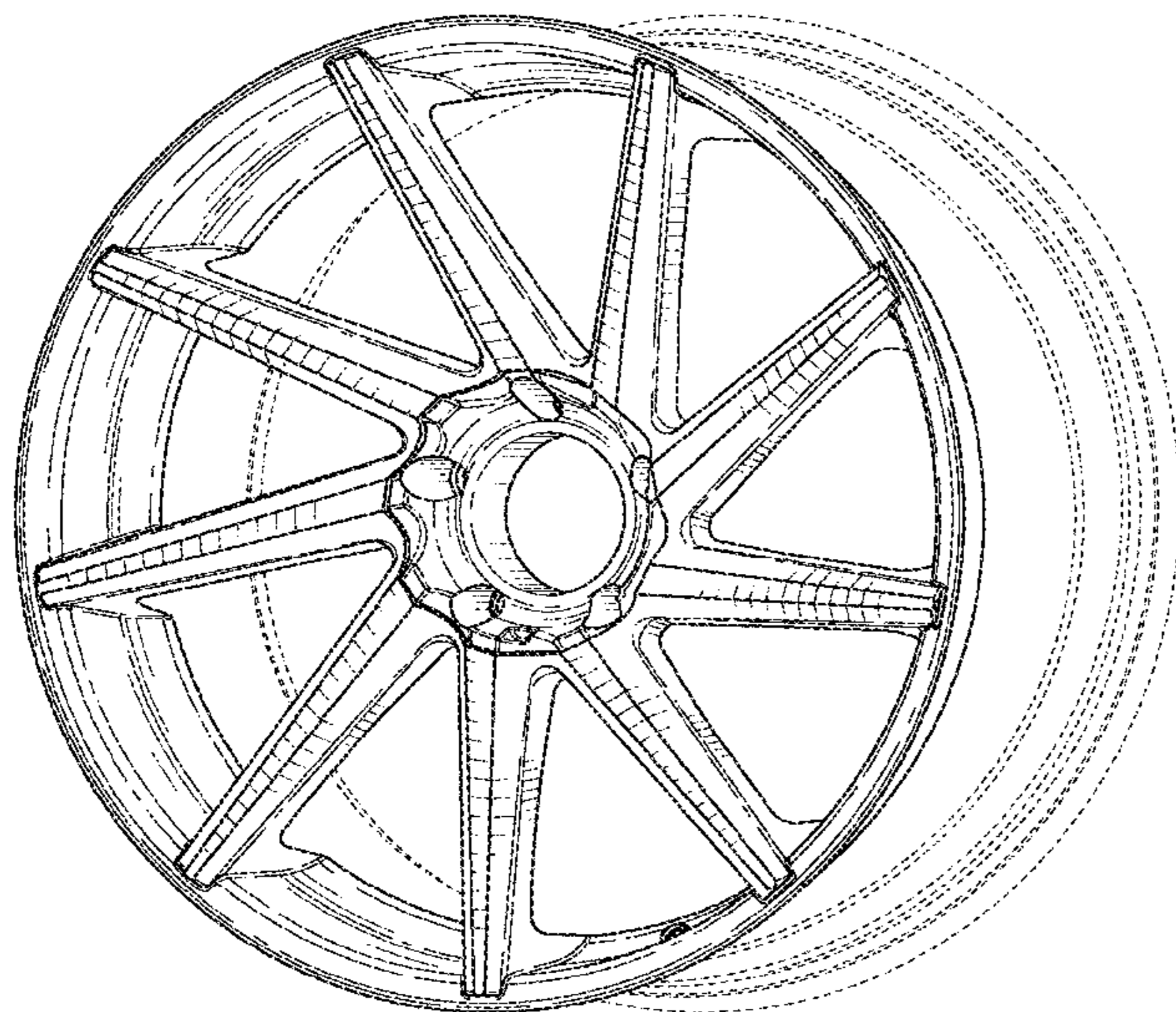
DESCRIPTION

FIG. 1 is a perspective view of a wheel showing my new design; and,

FIG. 2 is a front view thereof.

Dashed lines represent material that is not claimed by this patent, and are for purposes of illustration only. Applicant is claiming the front portion of the wheel only and makes no claim to the ornamental design of the sides or back of the wheel.

1 Claim, 2 Drawing Sheets



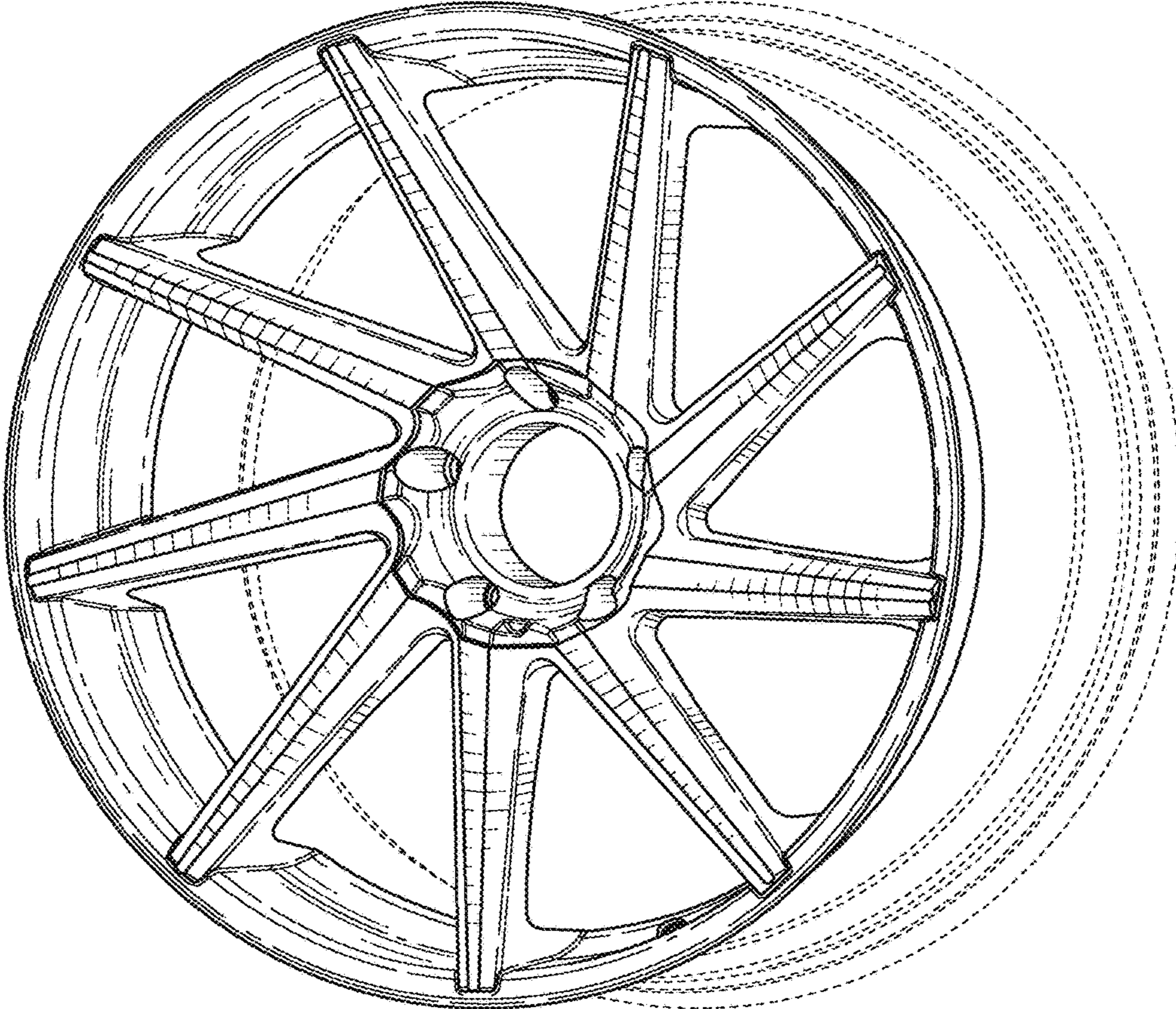


FIG. 1

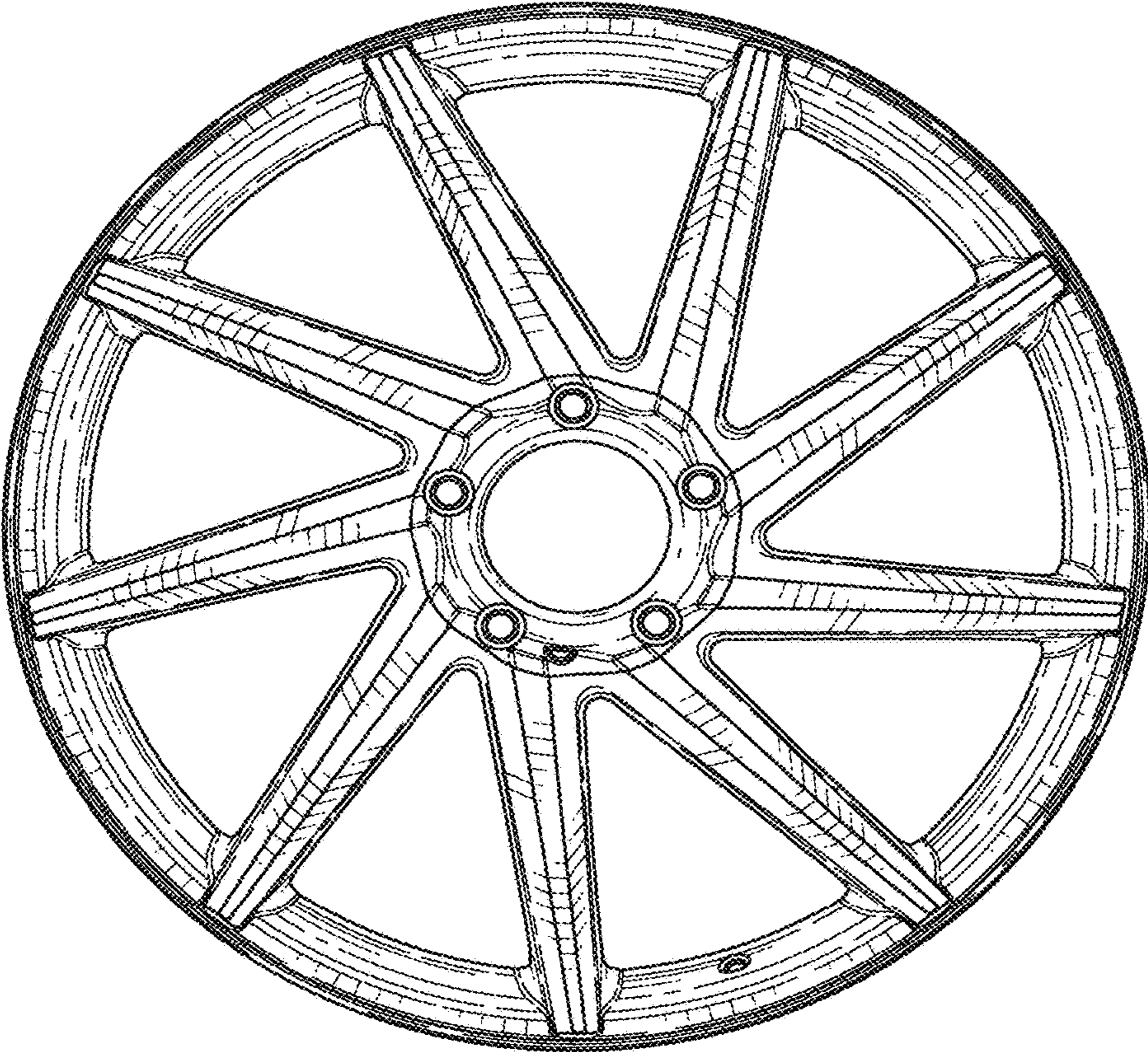


FIG. 2