



US00D849654S

(12) **United States Design Patent**  
**Kong**

(10) **Patent No.:** **US D849,654 S**

(45) **Date of Patent:** **\*\* May 28, 2019**

(54) **WHEEL**

(71) Applicant: **Wheel Pros, LLC**, Greenwood Village,  
CO (US)

(72) Inventor: **Berky Kong**, Hong Kong (HK)

(\*\*) Term: **15 Years**

(21) Appl. No.: **29/649,639**

(22) Filed: **May 31, 2018**

(51) **LOC (11) Cl.** ..... **12-16**

(52) **U.S. Cl.**  
USPC ..... **D12/209**

(58) **Field of Classification Search**  
USPC ..... D12/204–213  
CPC .... B60B 7/00; B60B 7/02; B60B 7/04; B60B  
7/01; B60B 7/06; B60B 3/02; B60B 3/04;  
B60B 3/06; B60B 3/10; B60B 1/00;  
B60B 1/08; B60B 1/10; B60B 1/12  
See application file for complete search history.

(56) **References Cited**

**U.S. PATENT DOCUMENTS**

D249,787 S	*	10/1978	Tanaka	.....	D12/205
D408,343 S	*	4/1999	Sacco	.....	D12/209
D422,258 S	*	4/2000	Hale, Jr.	.....	D12/211
D426,184 S	*	6/2000	Goplen	.....	D12/209
D433,370 S	*	11/2000	Hussaini	.....	D12/209
D467,213 S	*	12/2002	Pfeiffer	.....	D12/211
D492,927 S	*	7/2004	Fitzgerald	.....	D12/211
D530,258 S	*	10/2006	Schell	.....	D12/211
D544,823 S	*	6/2007	Hieke	.....	D12/211

D569,778 S	*	5/2008	Kim	.....	D12/211
D625,236 S	*	10/2010	Hildebrand	.....	D12/209
D656,448 S	*	3/2012	Zhao	.....	D12/211
D670,223 S	*	11/2012	Chung	.....	D12/209
D677,207 S	*	3/2013	Gotschke	.....	D12/209
D706,199 S	*	6/2014	Chung	.....	D12/211
D711,807 S	*	8/2014	Hale	.....	D12/209
D714,205 S	*	9/2014	Hale, Jr.	.....	D12/209
D714,706 S	*	10/2014	Chung	.....	D12/211
D727,829 S	*	4/2015	Chung	.....	D12/211
D737,191 S	*	8/2015	Chung	.....	D12/211
D740,735 S	*	10/2015	Matsumura	.....	D12/211
D763,163 S	*	8/2016	Chung	.....	D12/211
D785,679 S	*	5/2017	Hartung	.....	D15/7
D790,427 S	*	6/2017	Palana	.....	D12/211
D791,052 S	*	7/2017	Hodges	.....	D12/211
D793,322 S	*	8/2017	Hodges	.....	D12/211
D811,304 S	*	2/2018	Chung	.....	D12/209
D831,559 S	*	10/2018	Hodges	.....	D12/211

\* cited by examiner

*Primary Examiner* — Stacia A Cadmus

(74) *Attorney, Agent, or Firm* — Eric Hanscom

(57) **CLAIM**

The ornamental design for a wheel, as shown and described.

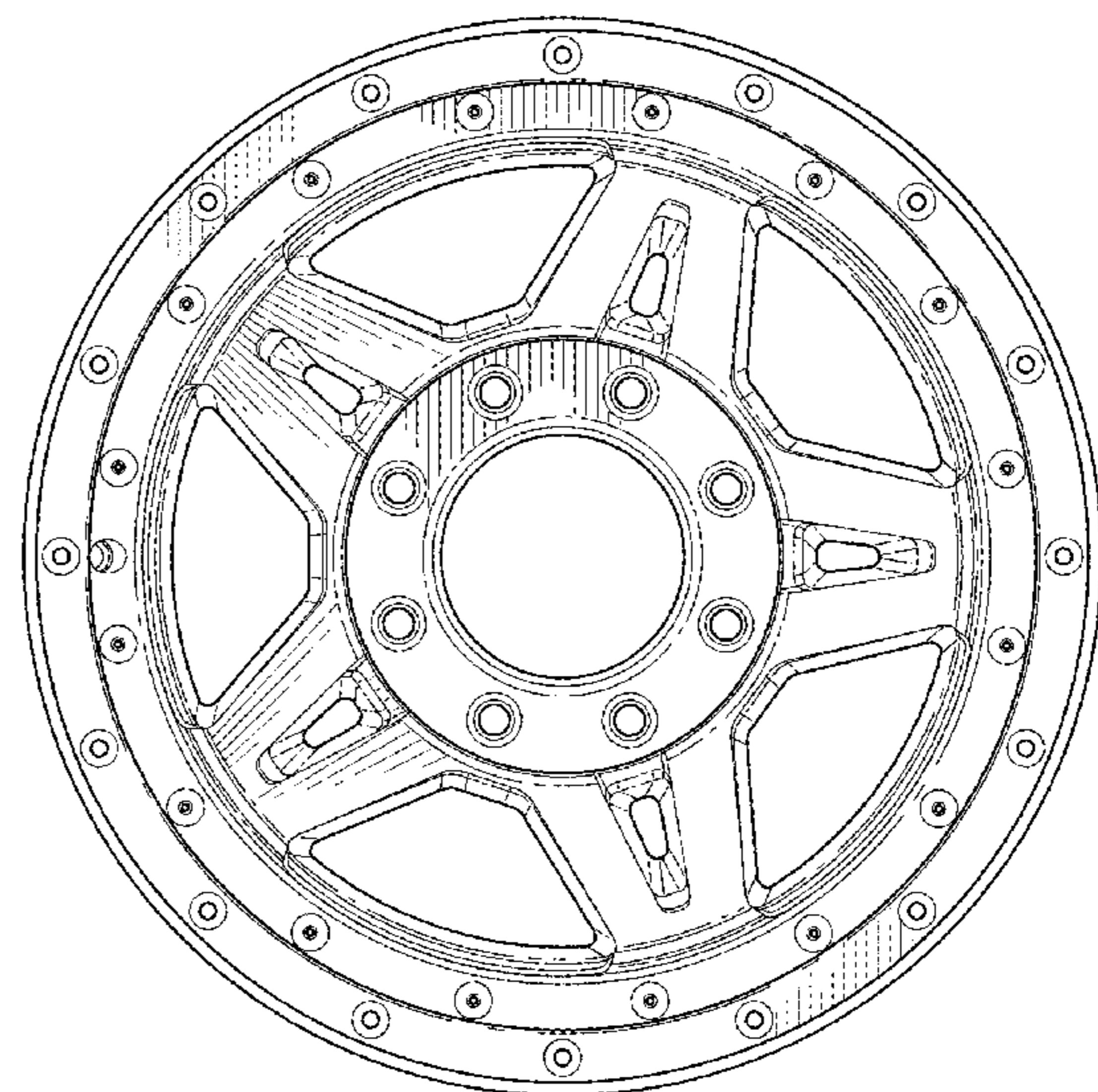
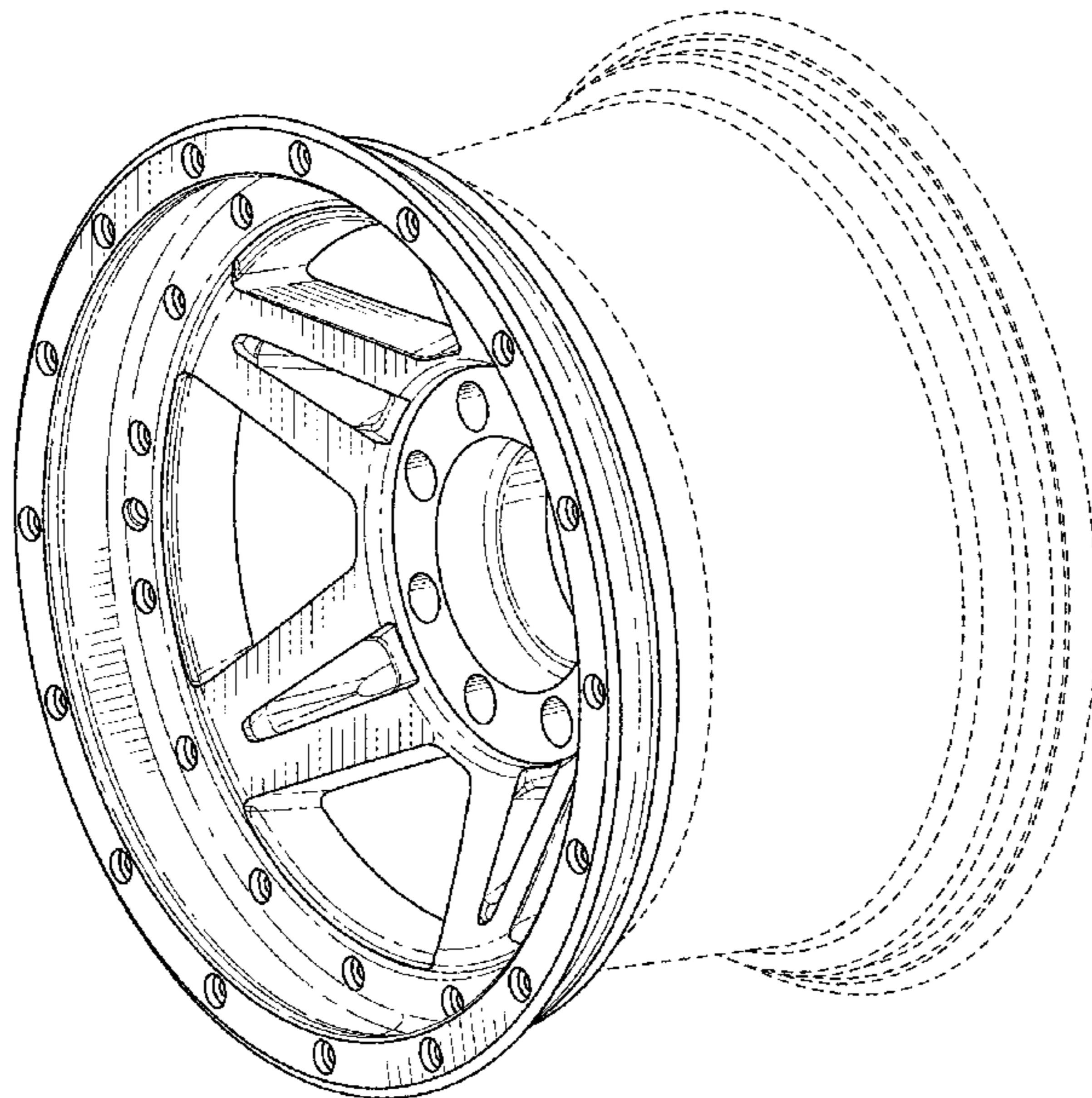
**DESCRIPTION**

FIG. 1 is a perspective view of a wheel showing my new design; and,

FIG. 2 is a front view thereof.

In the drawings, broken lines shown in the drawings depict environmental subject matter only and form no part of the claimed design.

**1 Claim, 2 Drawing Sheets**



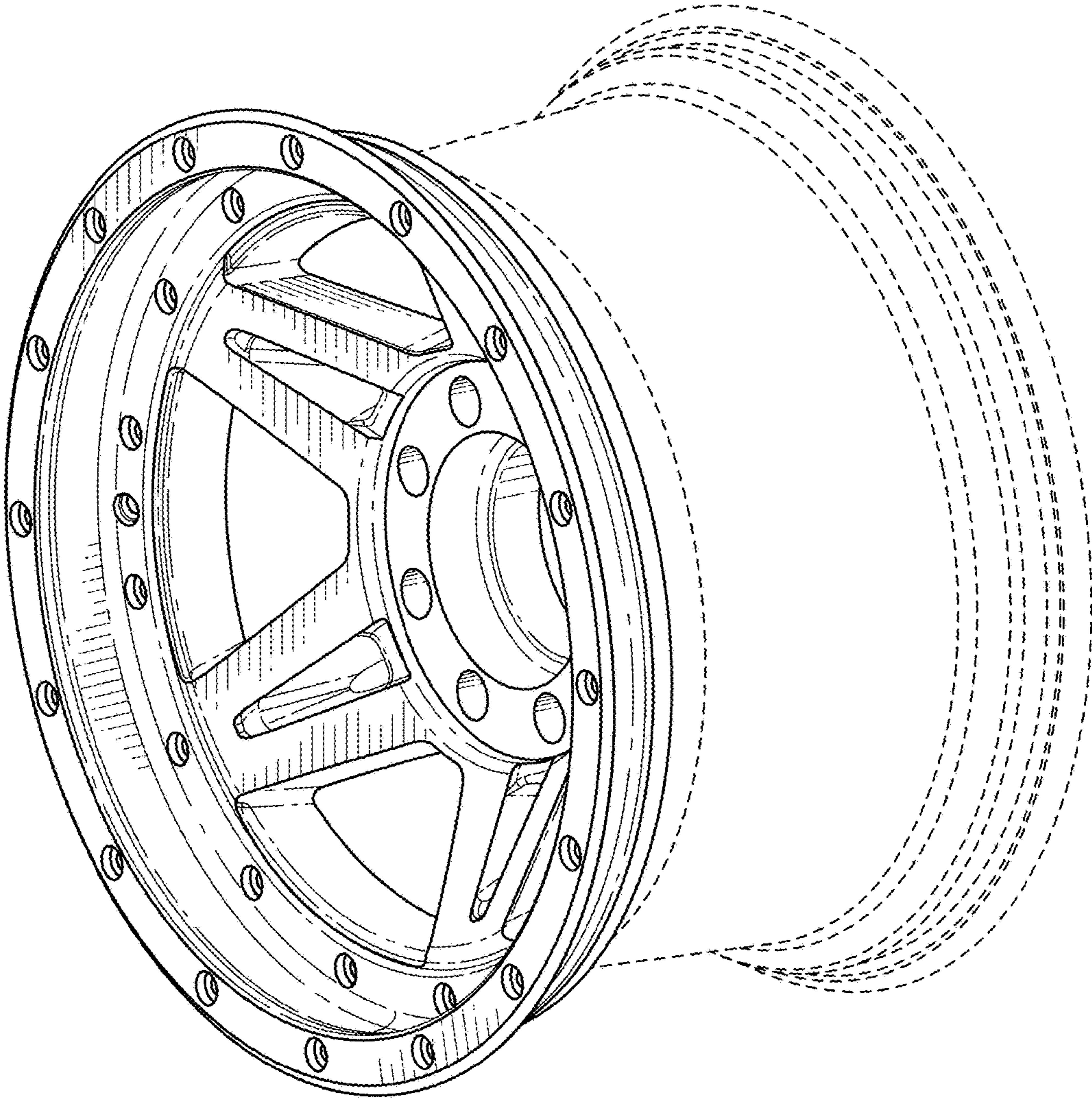


FIG. 1

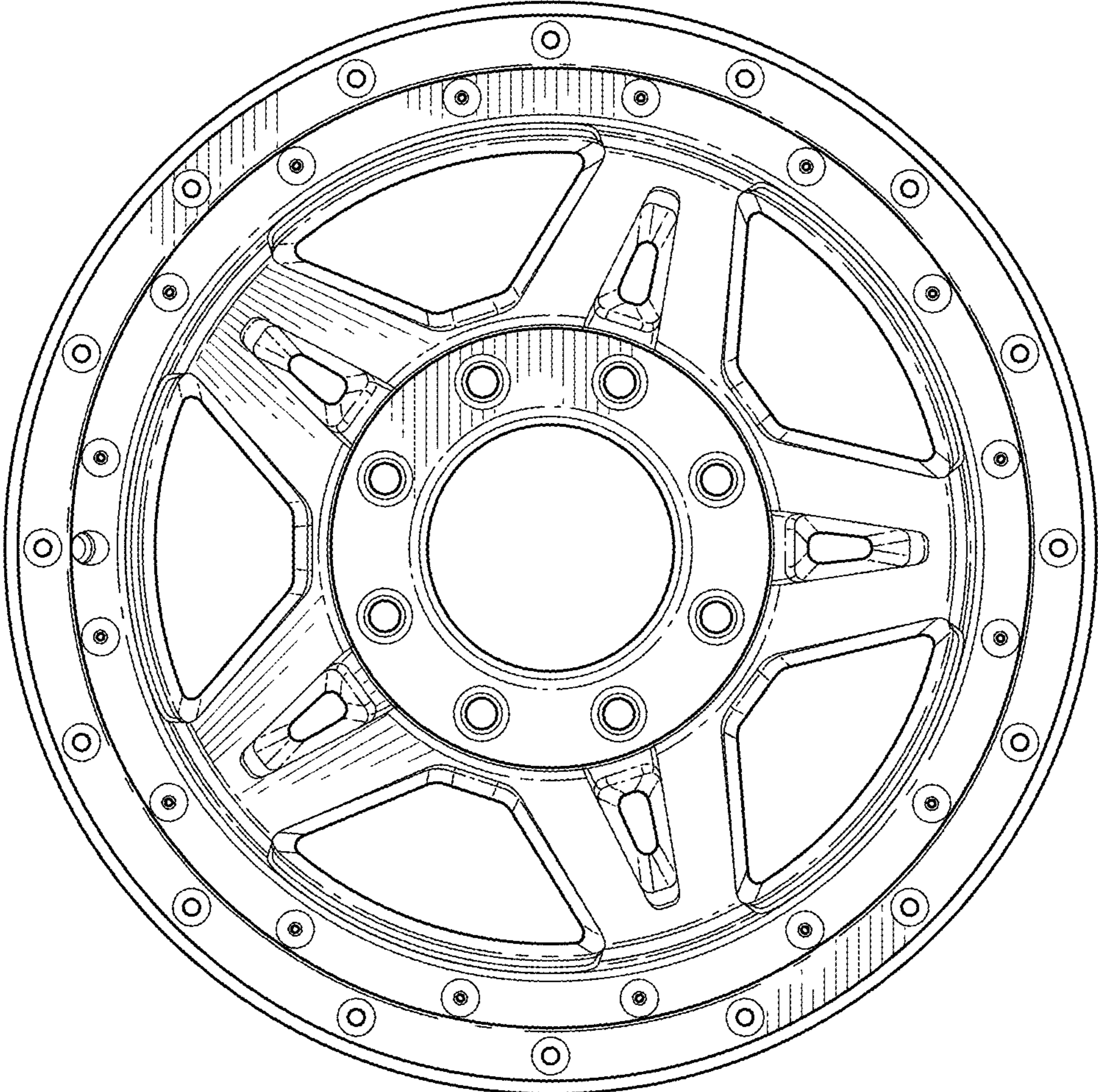


FIG. 2