



US00D849644S

(12) **United States Design Patent**
Chan

(10) **Patent No.:** **US D849,644 S**

(45) **Date of Patent:** **** May 28, 2019**

(54) **WHEEL**

(71) Applicant: **Jaguar Land Rover Limited**, Whitley,
Coventry (GB)

(72) Inventor: **Alex Chan**, Coventry (GB)

(73) Assignee: **Jaguar Land Rover Limited**, Whitley,
Coventry (GB)

(**) Term: **15 Years**

(21) Appl. No.: **29/629,431**

(22) Filed: **Dec. 13, 2017**

(30) **Foreign Application Priority Data**

Jun. 15, 2017 (EM) 004048916

(51) **LOC (11) Cl.** **12-16**

(52) **U.S. Cl.**
USPC **D12/209**

(58) **Field of Classification Search**
USPC D12/204–213
CPC B60B 7/00; B60B 7/02; B60B 7/04; B60B
7/01; B60B 7/06; B60B 3/04; B60B 1/00;
B60B 3/10; B60B 1/10; B60B 1/08;
B60B 3/06; B60B 1/12; B60B 3/02
See application file for complete search history.

(56) **References Cited**

U.S. PATENT DOCUMENTS

D456,331 S	*	4/2002	Chung	D12/209
D458,572 S	*	6/2002	Fitzgerald	D12/209
D463,348 S	*	9/2002	Kataoka	D12/209
D480,343 S	*	10/2003	Oh	D12/209
D493,401 S	*	7/2004	Kataoka	D12/209
D504,648 S	*	5/2005	Pfeiffer	D12/209
D512,007 S	*	11/2005	Sze	D12/209
D530,253 S	*	10/2006	Coutts	D12/209

D530,657 S	*	10/2006	Pfeiffer	D12/211
D545,261 S	*	6/2007	Looho	D12/209
D601,074 S	*	9/2009	Buschmann	D12/209
D645,391 S	*	9/2011	Weil	D12/209
D649,501 S	*	11/2011	Platto	D12/209
D671,477 S	*	11/2012	Juergens	D12/209
D673,093 S	*	12/2012	Platto	D12/209
D674,329 S	*	1/2013	Bildhaeuser	D12/209
D714,203 S	*	9/2014	George	D12/209
D723,988 S	*	3/2015	Kito	D12/209
D734,234 S	*	7/2015	Juergens	D12/209
D734,701 S	*	7/2015	Mielke	D12/209
D739,325 S	*	9/2015	Mueller-Stolz	D12/209
D753,044 S	*	4/2016	Mielke	D12/209
D760,139 S	*	6/2016	Dionisopoulos	D12/209
D776,039 S	*	1/2017	Valencia Pollex	D12/209
D791,045 S	*	7/2017	Johnson	D12/209
D795,148 S	*	8/2017	Ariga	D12/209
D800,044 S	*	10/2017	Ghobrial	D12/209

(Continued)

Primary Examiner — Stacia A Cadmus

(74) *Attorney, Agent, or Firm* — Wood Herron & Evans
LLP

(57) **CLAIM**

The ornamental design for a wheel, as shown and described.

DESCRIPTION

FIG. 1 is a front left perspective view of a wheel for a vehicle according to the present invention.

FIG. 2 is a front view of the wheel shown in FIG. 1.

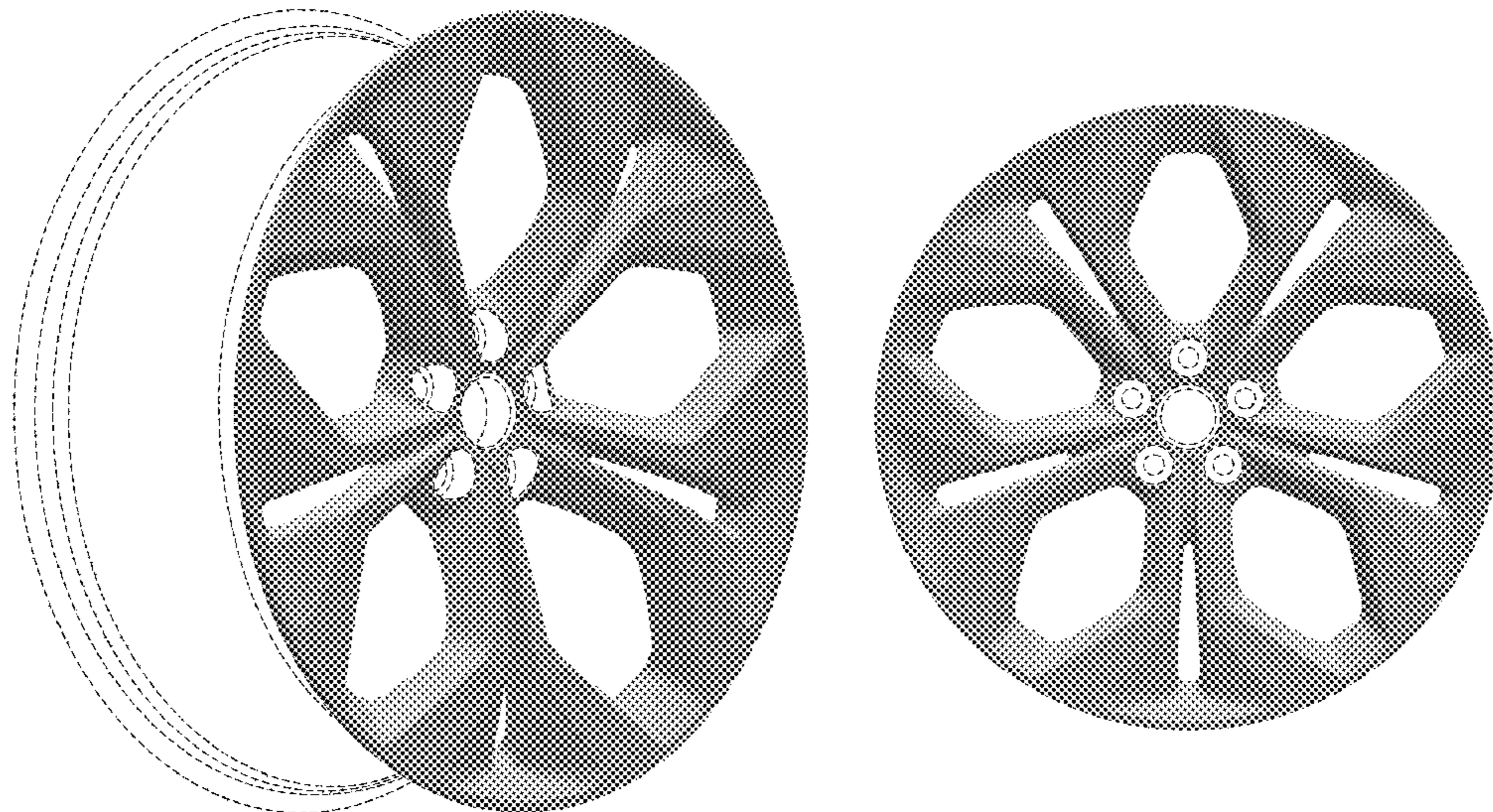
FIG. 3 is a left side view thereof, the right side being a mirror image thereof.

FIG. 4 is a front left perspective view of a wheel for a vehicle according to a second embodiment of the wheel.

FIG. 5 is a front view of the wheel shown in FIG. 4; and, FIG. 6 is a left side view thereof, the right side being a mirror image thereof.

The broken lines in the drawings show environmental structure and form no part of the claimed invention.

1 Claim, 4 Drawing Sheets



(56)

References Cited

U.S. PATENT DOCUMENTS

D801,901 S	*	11/2017	Gardavsky	D12/209
D803,135 S	*	11/2017	Bucher	D12/209
D823,772 S	*	7/2018	Mielke	D12/209
D825,425 S	*	8/2018	Brundle	D12/209
D827,539 S	*	9/2018	Behmer	D12/209

* cited by examiner

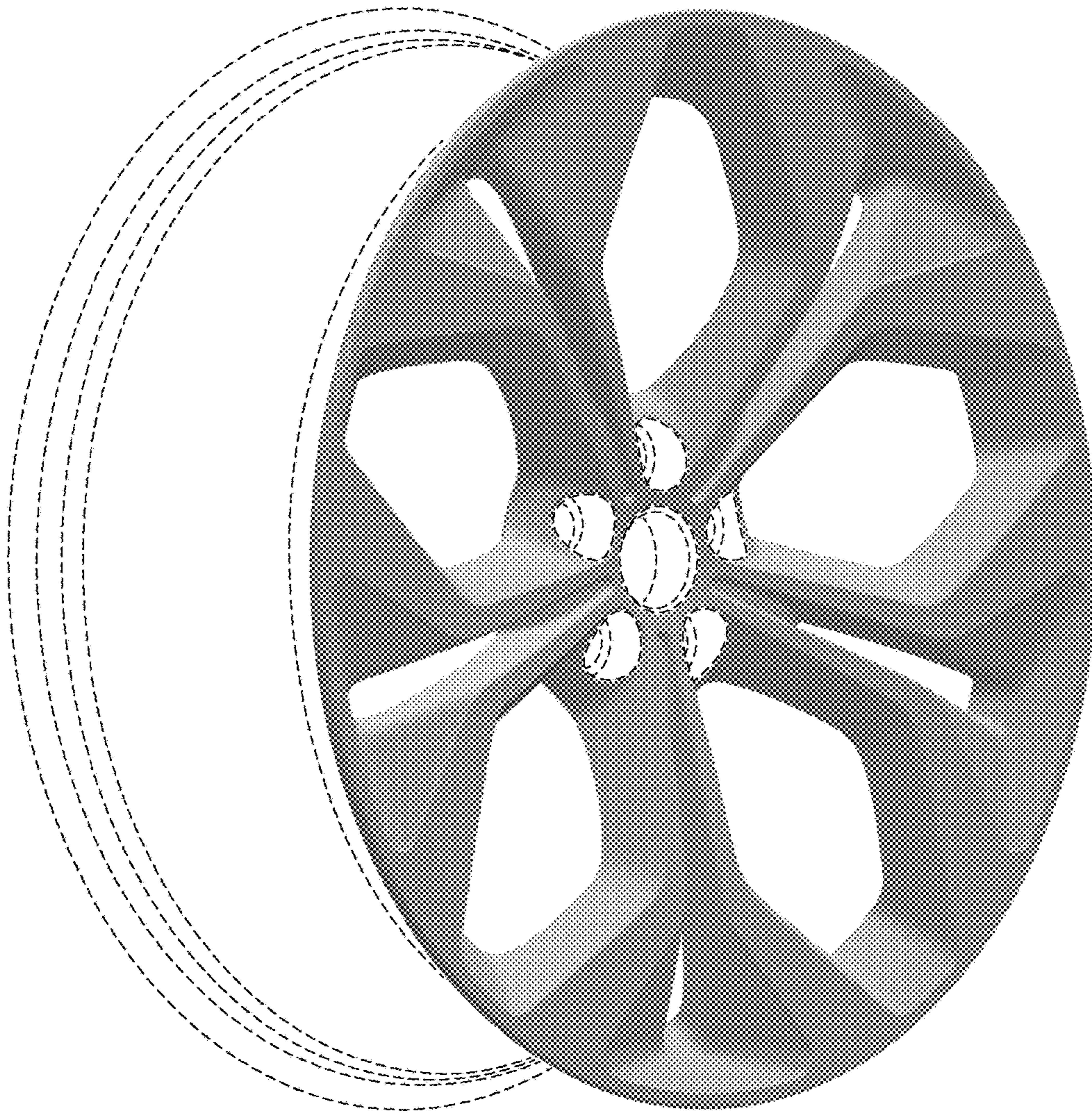


FIG. 1

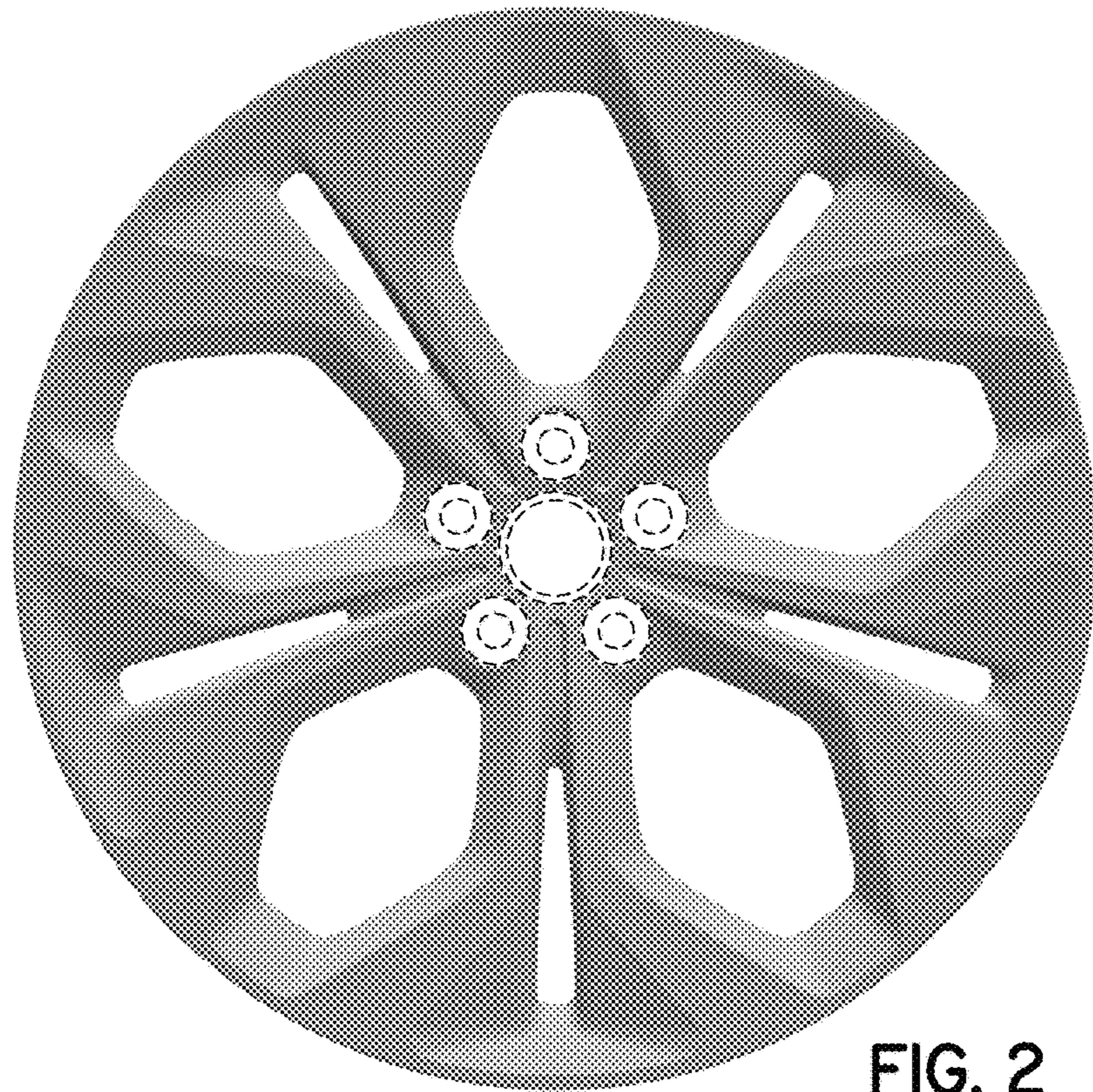


FIG. 2

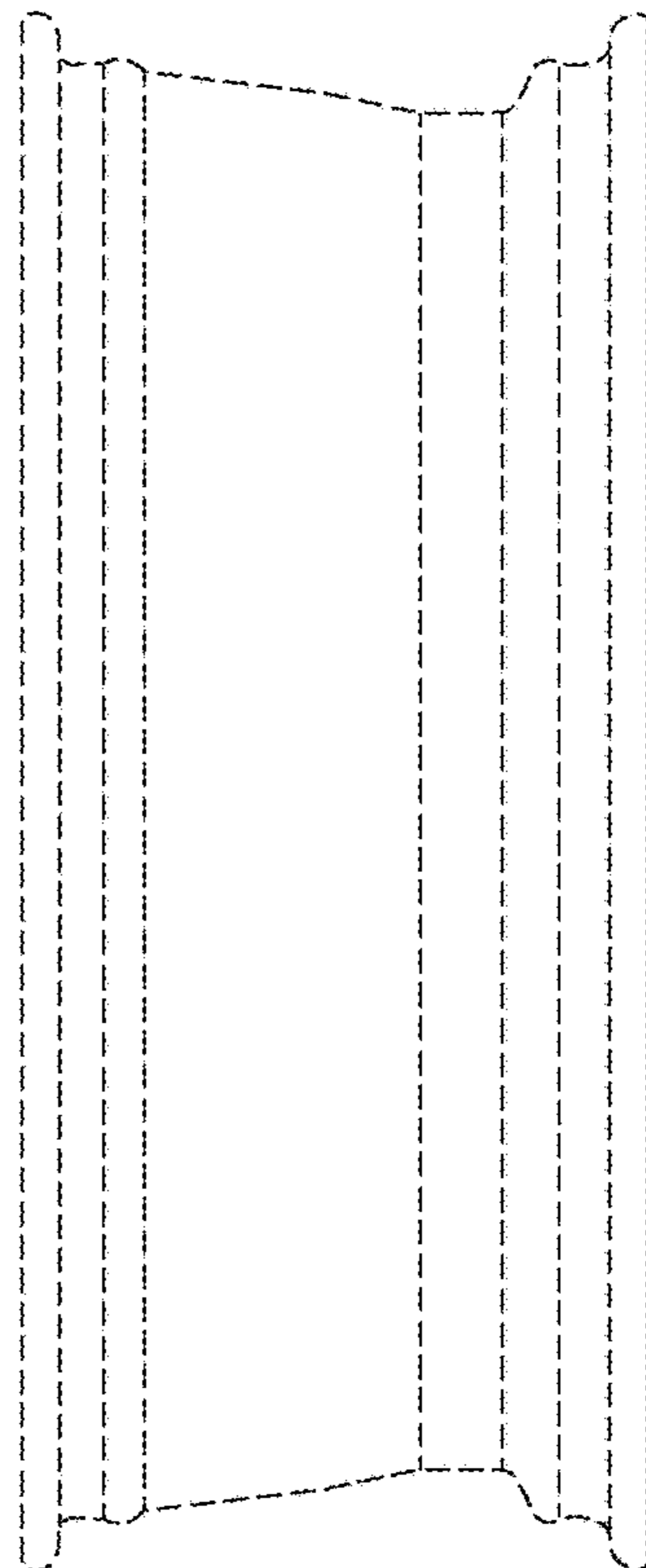


FIG. 3

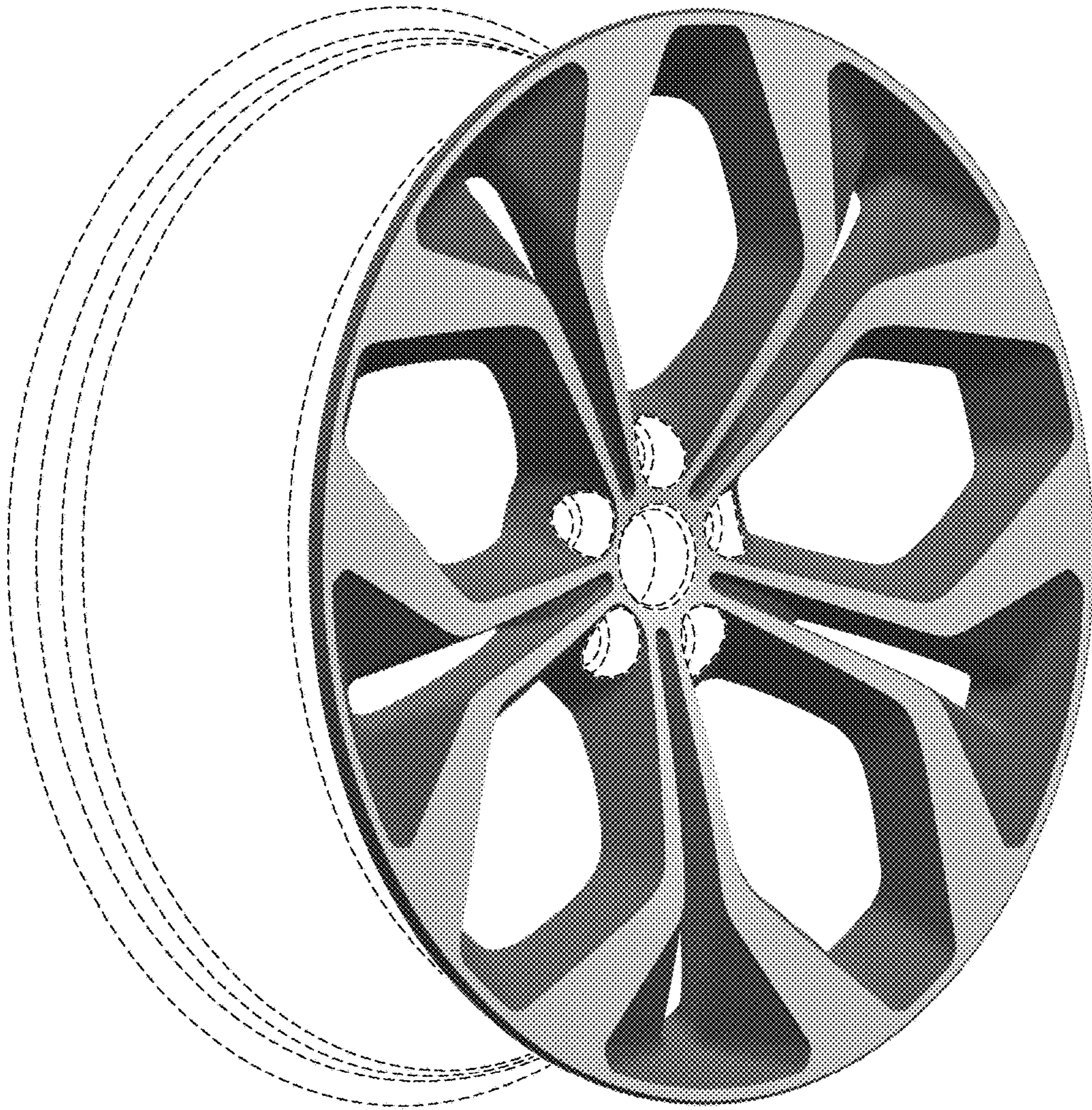


FIG. 4

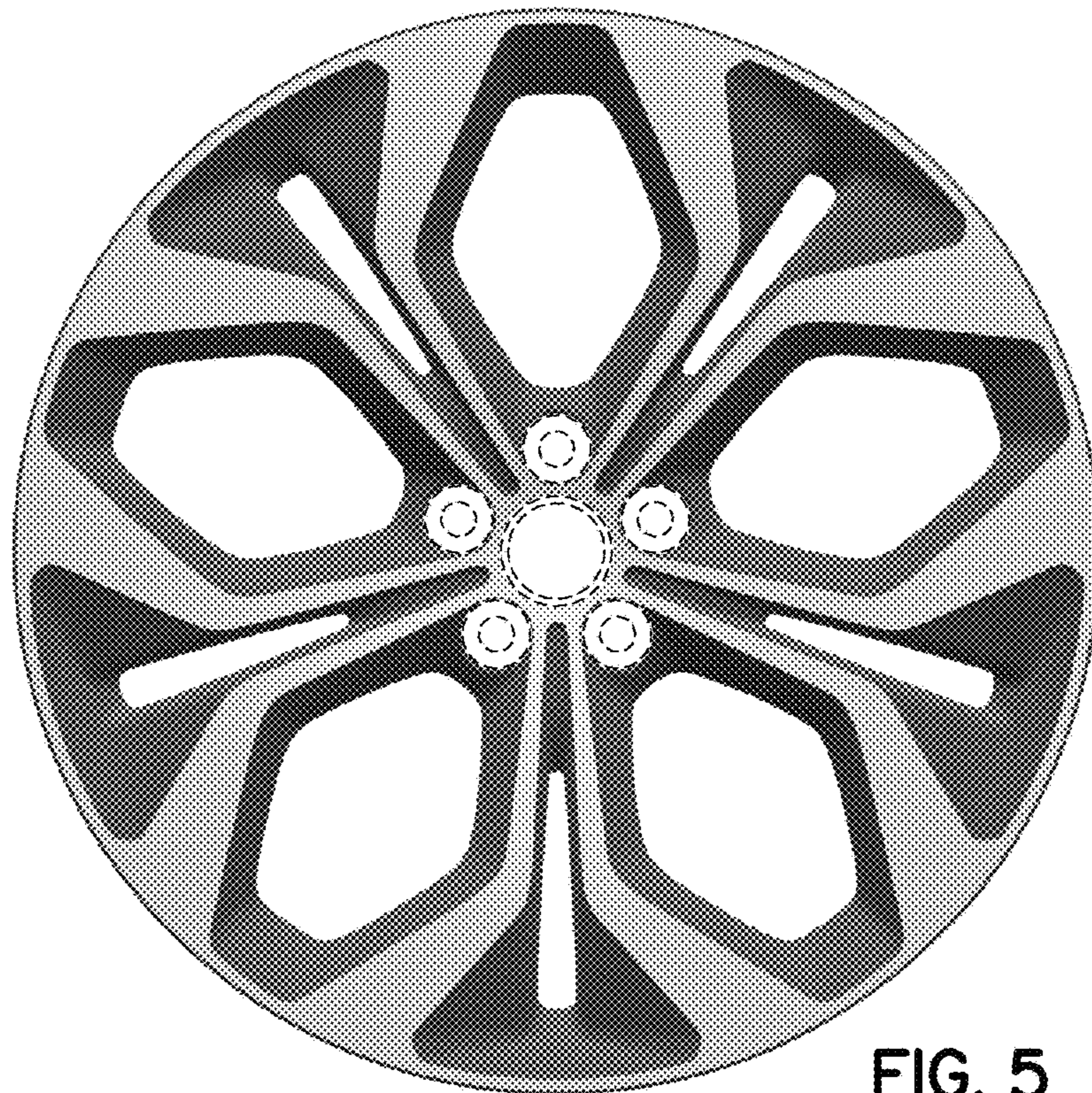


FIG. 5

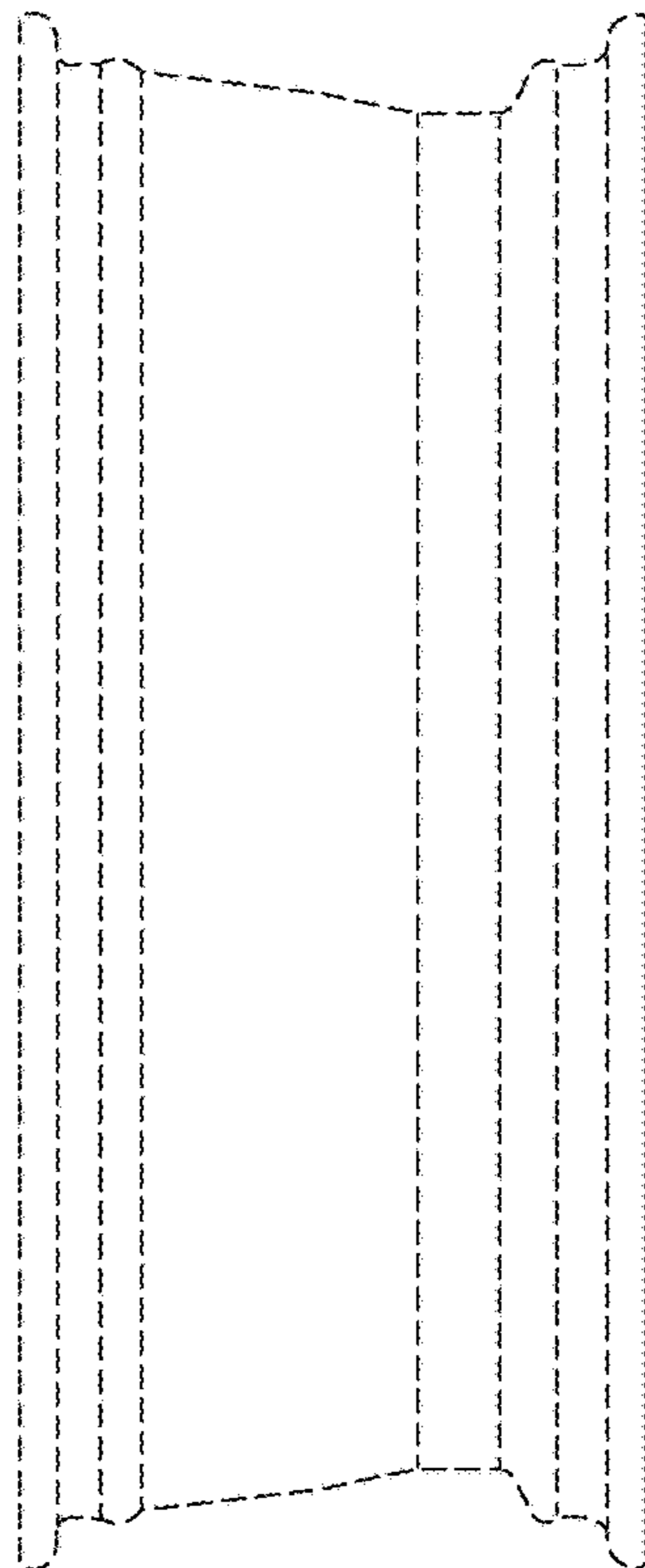


FIG. 6