



US00D849643S

(12) **United States Design Patent**  
**Chan**

(10) **Patent No.:** **US D849,643 S**

(45) **Date of Patent:** **\*\* May 28, 2019**

(54) **WHEEL**

(71) Applicant: **Jaguar Land Rover Limited**, Whitley,  
Coventry (GB)

(72) Inventor: **Alex Chan**, Coventry (GB)

(73) Assignee: **Jaguar Land Rover Limited**, Whitley,  
Coventry (GB)

(\*\*) Term: **15 Years**

(21) Appl. No.: **29/629,421**

(22) Filed: **Dec. 13, 2017**

(30) **Foreign Application Priority Data**

Jun. 15, 2017 (EM) ..... 004048882

(51) **LOC (11) Cl.** ..... **12-16**

(52) **U.S. Cl.**  
USPC ..... **D12/209**

(58) **Field of Classification Search**

USPC ..... D12/204–213

CPC .... B60B 7/00; B60B 7/02; B60B 7/04; B60B

7/01; B60B 7/06; B60B 3/04; B60B 1/00;

B60B 3/10; B60B 1/10; B60B 1/08;

B60B 3/06; B60B 1/12; B60B 3/02

See application file for complete search history.

(56) **References Cited**

**U.S. PATENT DOCUMENTS**

D445,082 S \* 7/2001 Chung ..... D12/211

D461,442 S \* 8/2002 Kataoka ..... D12/211

D463,769 S \* 10/2002 Chung ..... D12/211

D495,291 S \* 8/2004 Chung ..... D12/211

D532,739 S \* 11/2006 Ettensberger ..... D12/211

D582,333 S \* 12/2008 Pfeiffer ..... D12/211

D593,919 S \* 6/2009 Pfeiffer ..... D12/209

D635,907 S \* 4/2011 Futschik ..... D12/211

D695,198 S \* 12/2013 Juergens ..... D12/211

D713,317 S \* 9/2014 Ajojima ..... D12/211

D724,513 S \* 3/2015 Wolff ..... D12/209

D731,390 S \* 6/2015 Kobayashi ..... D12/211

D751,019 S \* 3/2016 Behmer ..... D12/211

D760,139 S \* 6/2016 Dionisopoulos ..... D12/209

D761,182 S \* 7/2016 Valencia Pollex ..... D12/211

D763,763 S \* 8/2016 Stone ..... D12/209

D769,170 S \* 10/2016 Johnson ..... D12/211

D780,084 S \* 2/2017 Scheer ..... D12/209

D791,045 S \* 7/2017 Johnson ..... D12/209

D795,148 S \* 8/2017 Ariga ..... D12/209

D805,457 S \* 12/2017 Setter ..... D12/211

D823,772 S \* 7/2018 Mielke ..... D12/209

\* cited by examiner

*Primary Examiner* — Stacia A Cadmus

(74) *Attorney, Agent, or Firm* — Wood Herron & Evans  
LLP

(57) **CLAIM**

The ornamental design for a wheel, as shown and described.

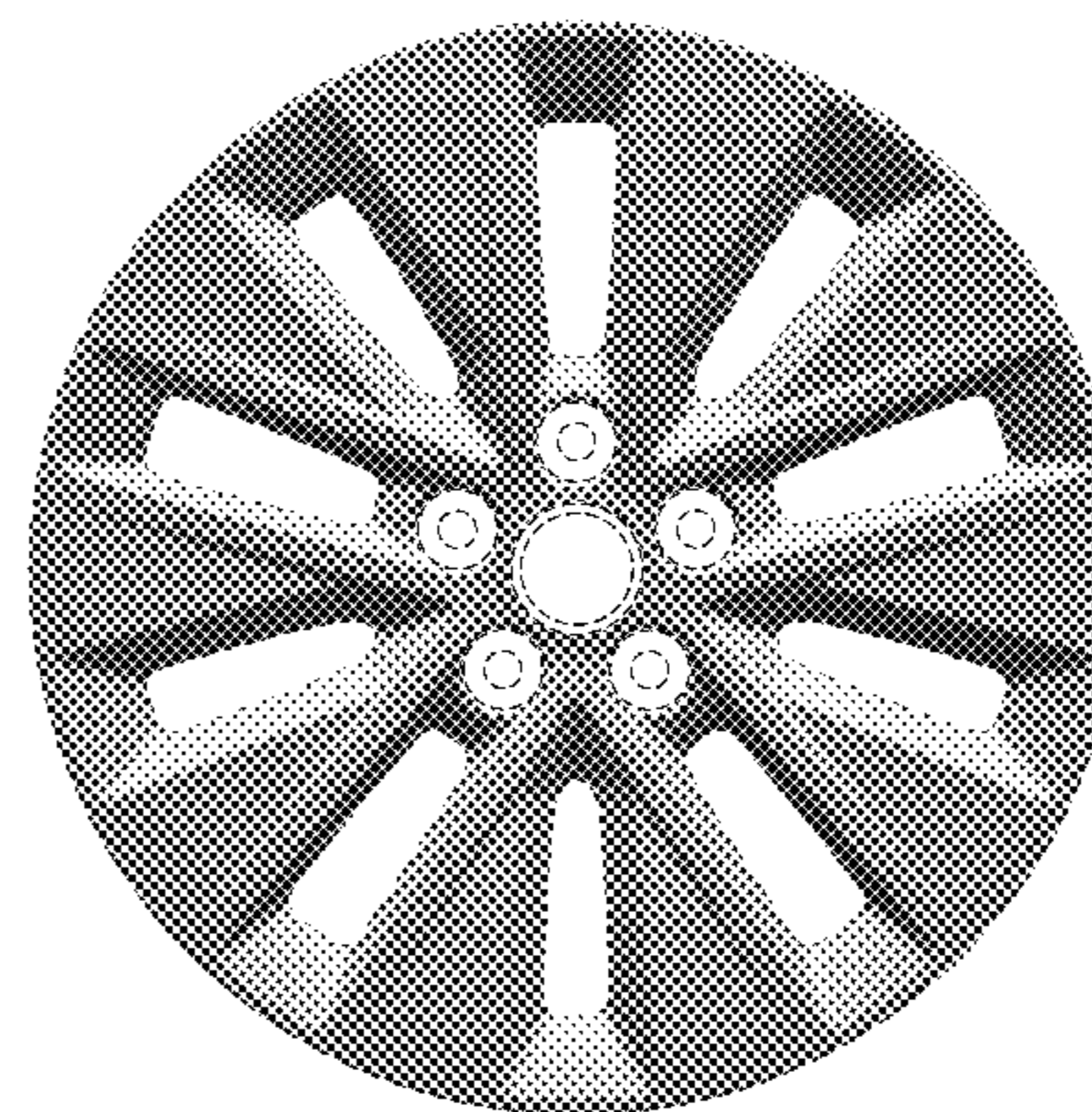
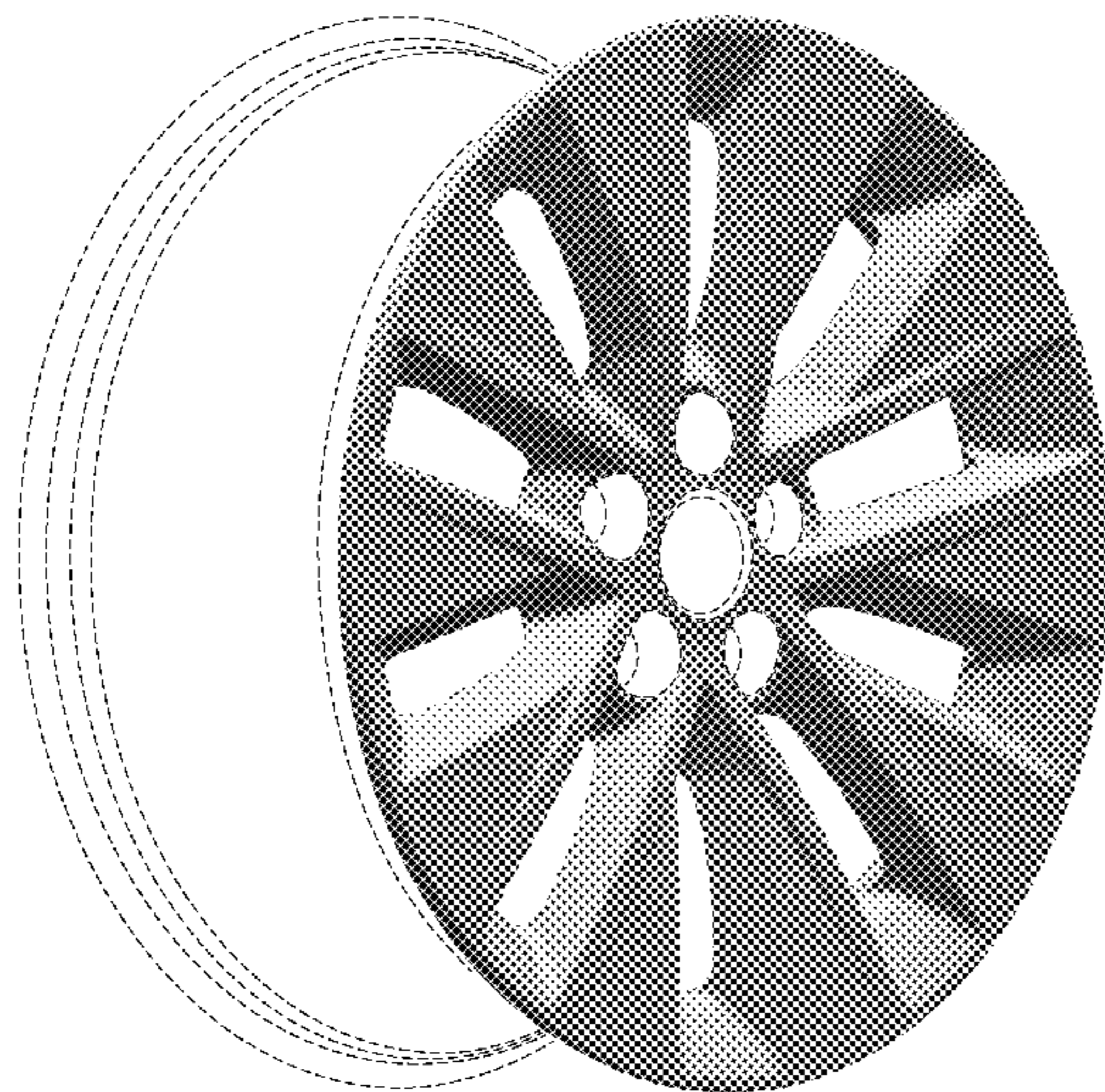
**DESCRIPTION**

FIG. 1 is a front left perspective view of a wheel for a vehicle according to the present invention.

FIG. 2 is a front view of the wheel shown in FIG. 1; and, FIG. 3 is a left side view thereof, the right side being a mirror image thereof.

The broken lines show environmental structure and form no part of the claimed invention.

**1 Claim, 2 Drawing Sheets**





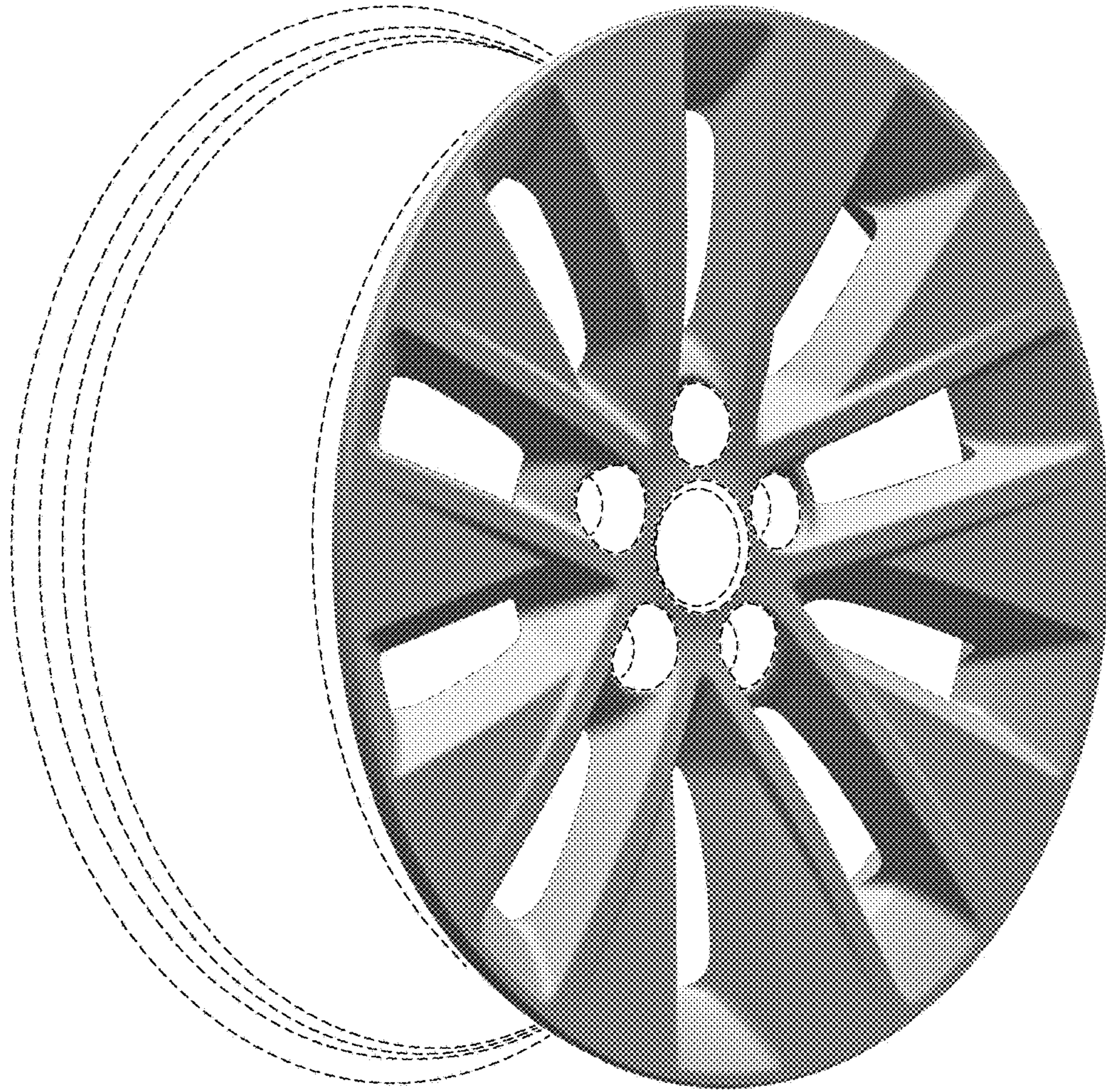


FIG. 1



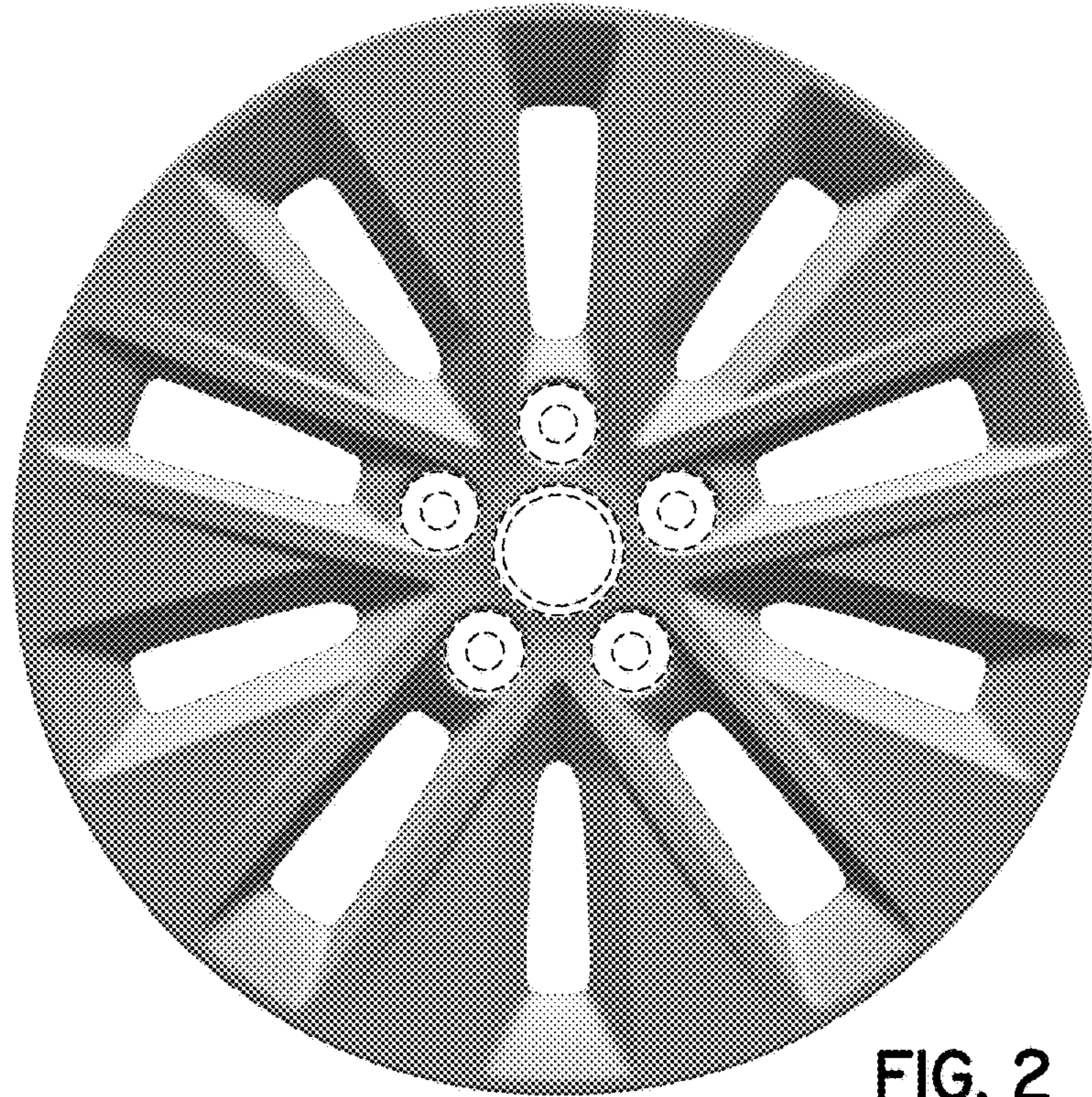


FIG. 2

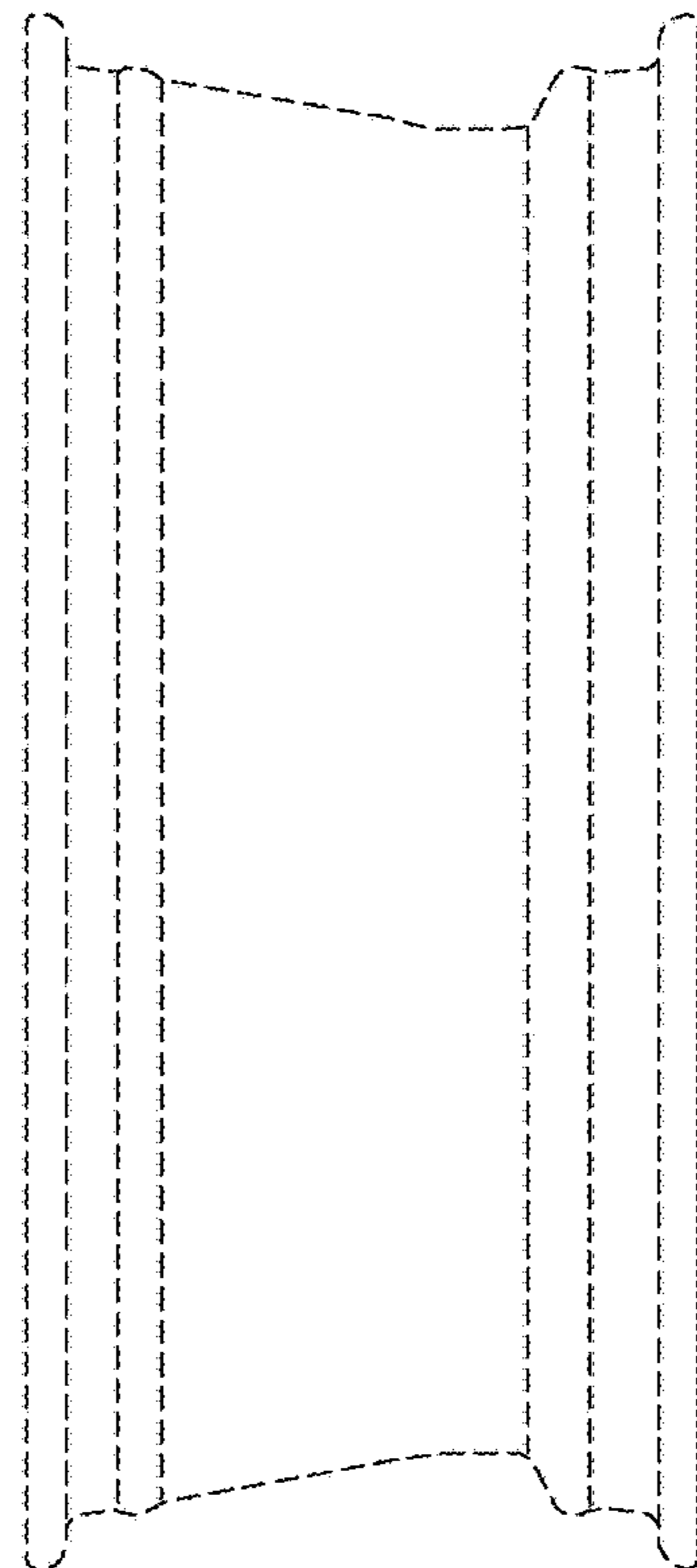


FIG. 3