



US00D849641S

(12) **United States Design Patent**
Tovey

(10) **Patent No.:** **US D849,641 S**

(45) **Date of Patent:** **** May 28, 2019**

(54) **WHEEL**

(71) Applicant: **Jaguar Land Rover Limited**, Whitley,
Coventry (GB)

(72) Inventor: **Simon Tovey**, Coventry (GB)

(73) Assignee: **Jaguar Land Rover Limited**, Whitley,
Coventry (GB)

(**) Term: **15 Years**

(21) Appl. No.: **29/624,967**

(22) Filed: **Nov. 6, 2017**

(30) **Foreign Application Priority Data**

May 11, 2017 (EM) 003997071

(51) **LOC (11) Cl.** **12-16**

(52) **U.S. Cl.**
USPC **D12/209**

(58) **Field of Classification Search**

USPC D12/204–213

CPC B60B 7/00; B60B 7/02; B60B 7/04; B60B
7/01; B60B 7/06; B60B 3/04; B60B 1/00;

B60B 3/10; B60B 1/10; B60B 1/08;

B60B 3/06; B60B 1/12; B60B 3/02

See application file for complete search history.

(56) **References Cited**

U.S. PATENT DOCUMENTS

D515,493 S * 2/2006 Schaefers D12/211
D704,119 S * 5/2014 Platto D12/209

D705,153 S * 5/2014 Hall D12/209
D715,723 S * 10/2014 Gotschke D12/204
D718,207 S * 11/2014 Grake D12/211
D740,193 S * 10/2015 Battams D12/209
D757,626 S * 5/2016 Bridan D12/209
D791,056 S * 7/2017 Valencia Pollex D12/211
D820,761 S * 6/2018 Badstuebner D12/211
D832,180 S * 10/2018 Platto D12/211

* cited by examiner

Primary Examiner — Stacia A Cadmus

(74) *Attorney, Agent, or Firm* — Wood Herron & Evans
LLP

(57) **CLAIM**

The ornamental design for a wheel, as shown and described.

DESCRIPTION

FIG. 1 is a front left perspective view of a wheel for a vehicle according to the present invention.

FIG. 2 is a front view of the wheel shown in FIG. 1.

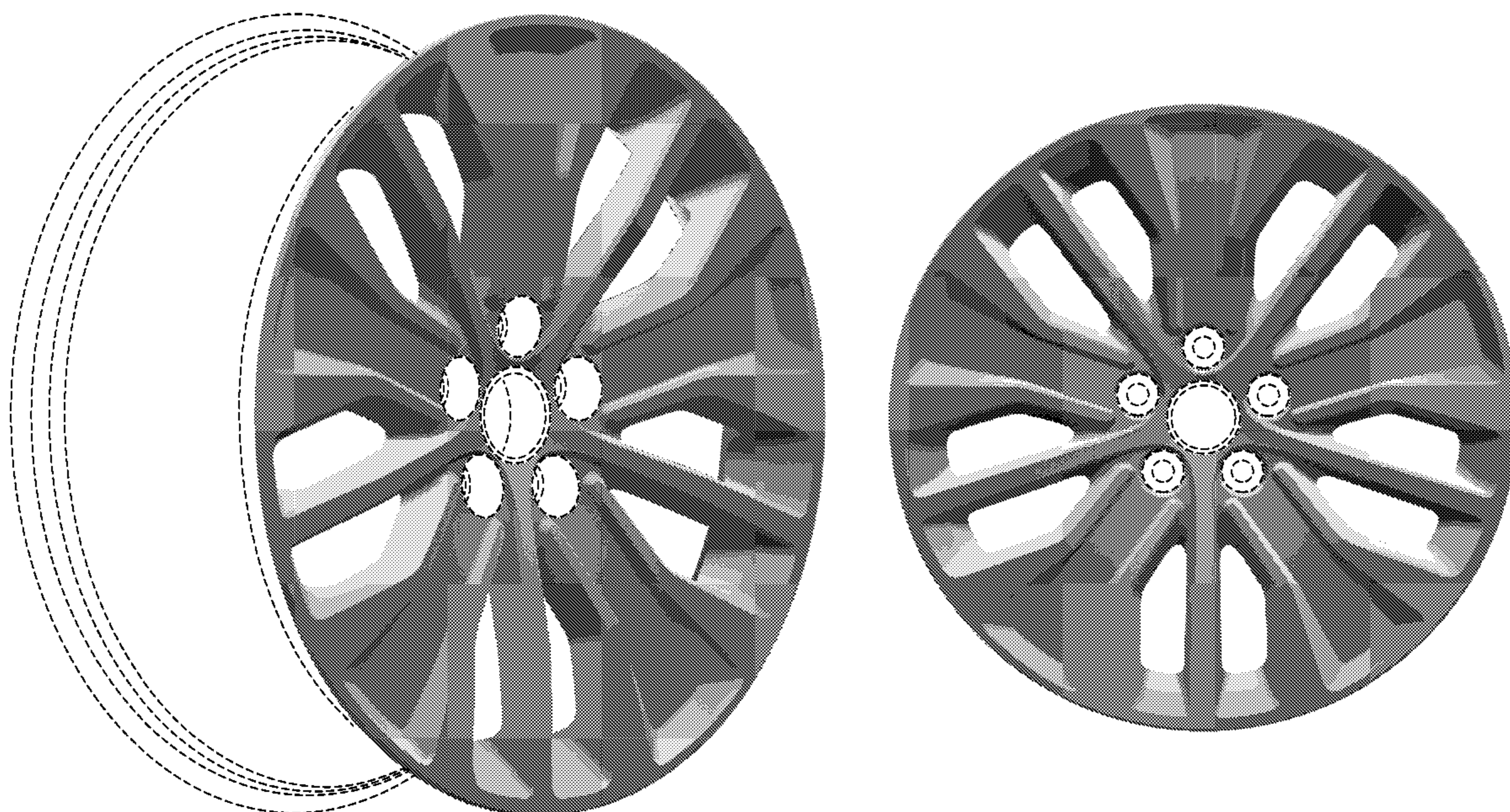
FIG. 3 is a left side view thereof, the right side being a mirror image thereof.

FIG. 4 is a front left perspective view of a wheel for a vehicle according to a second embodiment of the wheel.

FIG. 5 is a front view of the wheel shown in FIG. 4; and, FIG. 6 is a left side view thereof, the right side being a mirror image thereof.

The broken lines in the drawings show environmental structure and form no part of the claimed design.

1 Claim, 4 Drawing Sheets



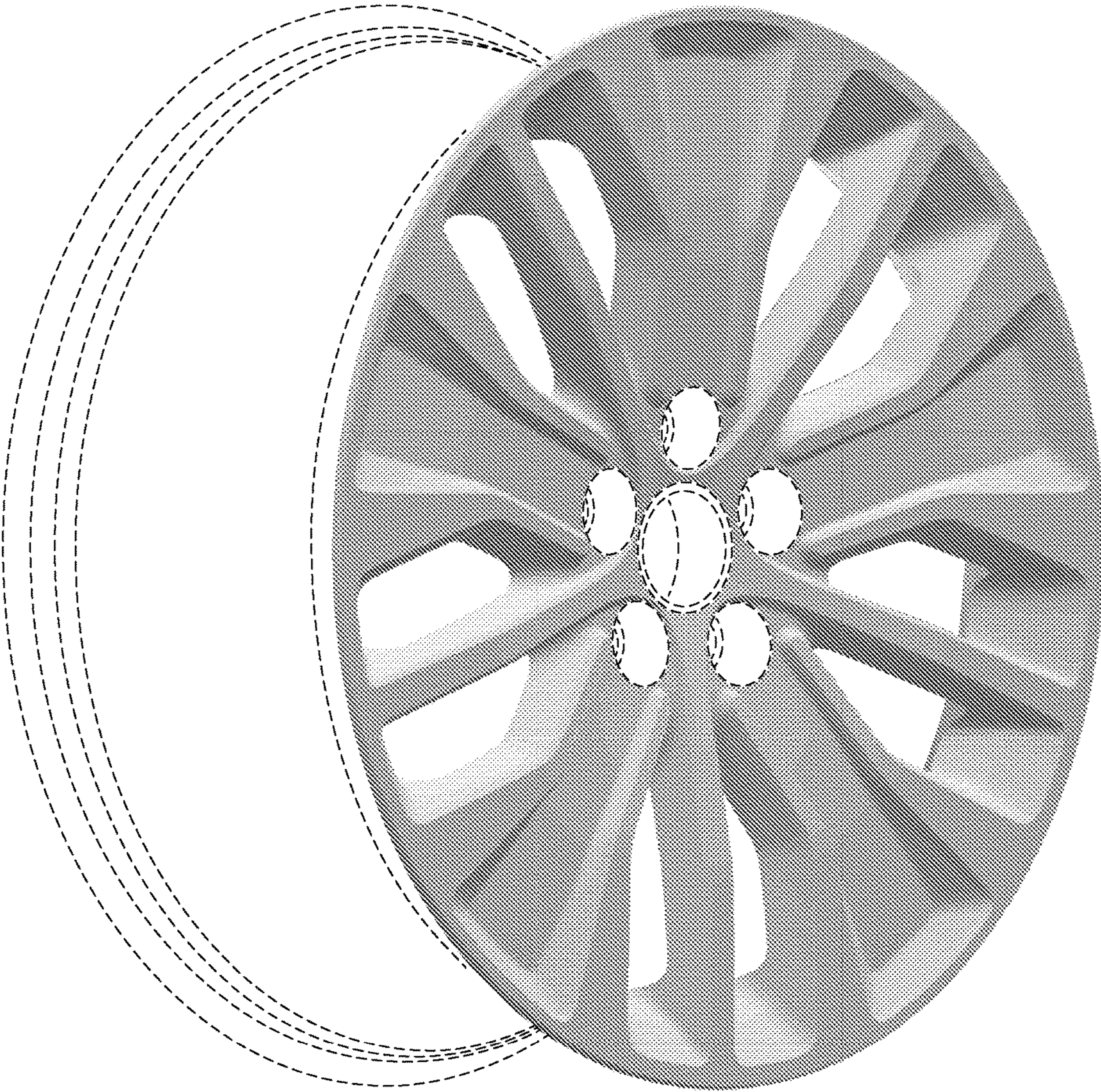


FIG. 1

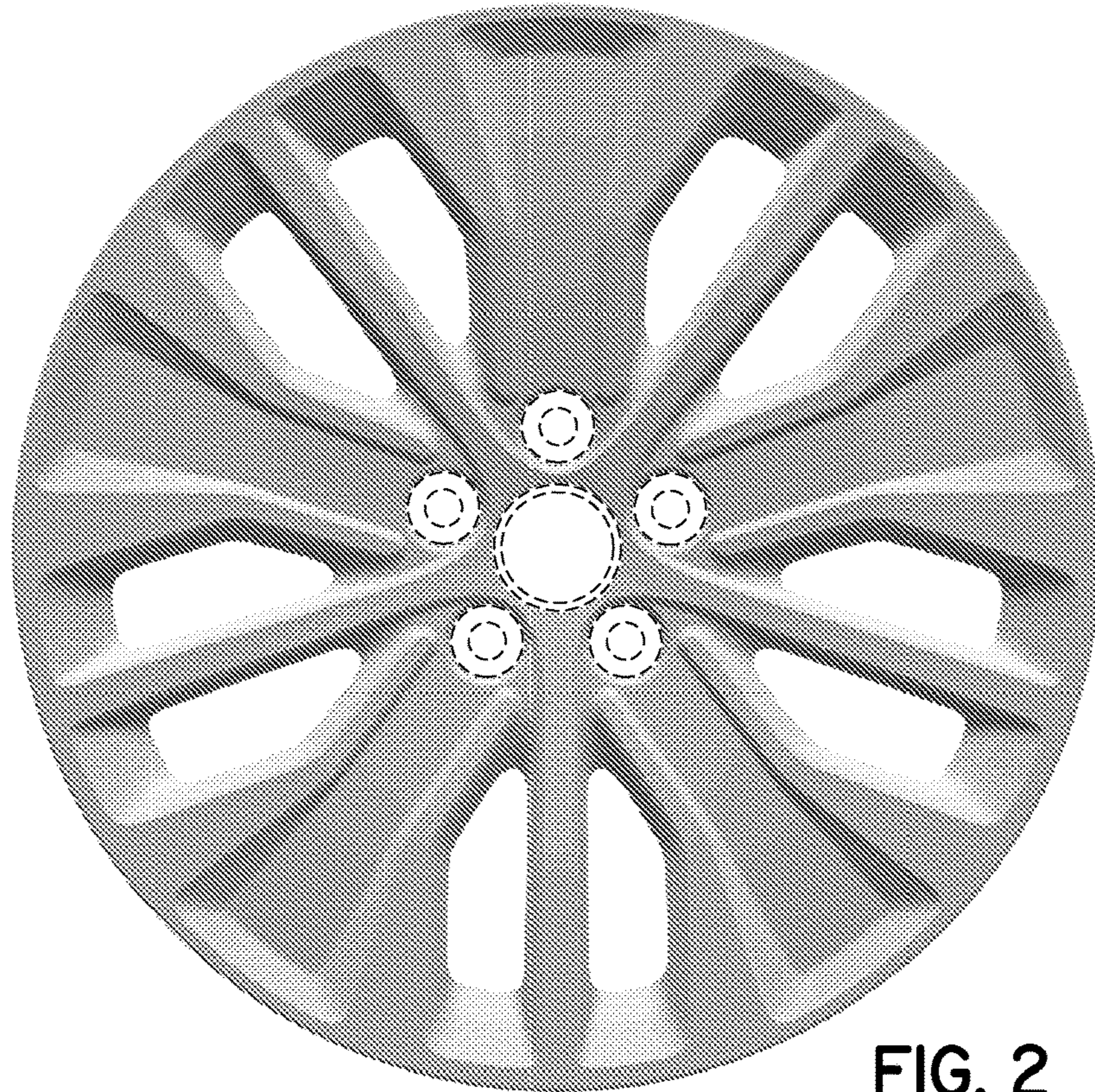


FIG. 2

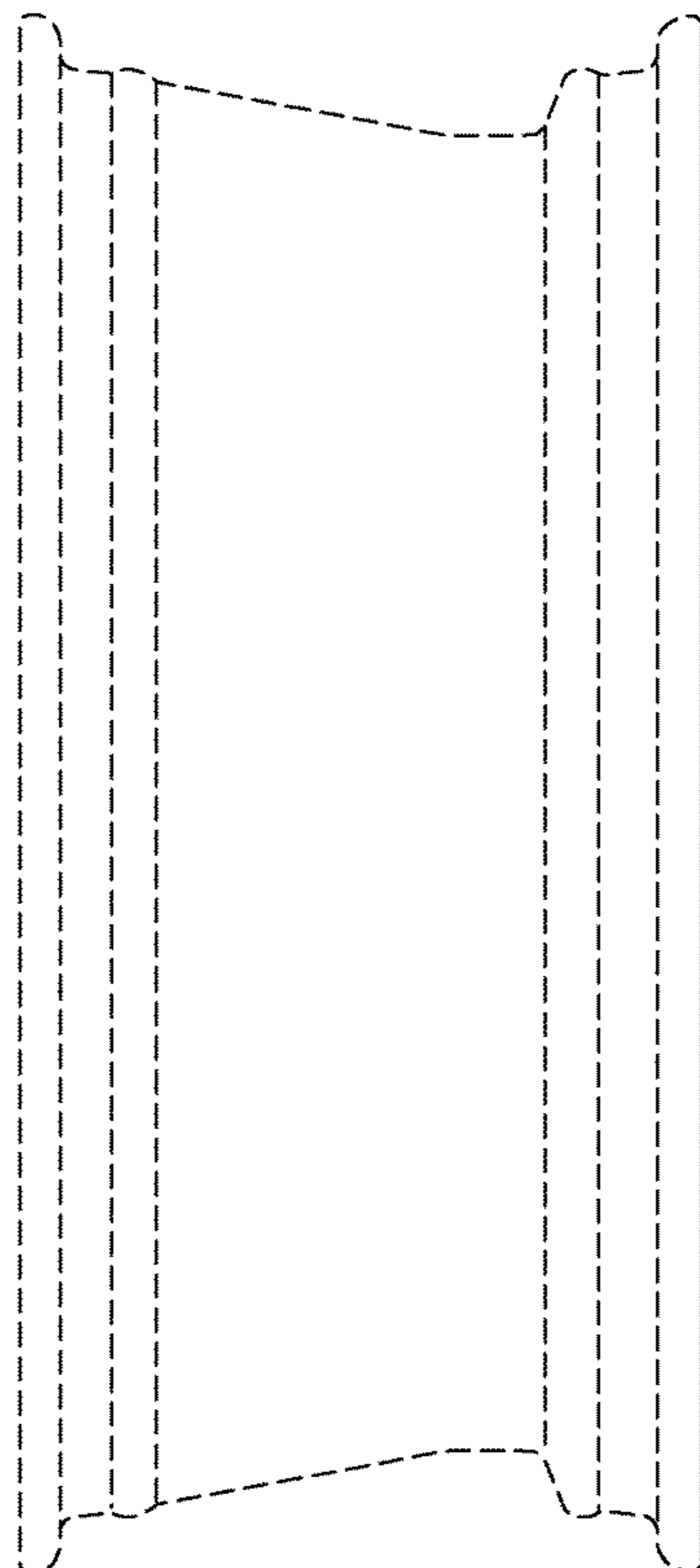


FIG. 3

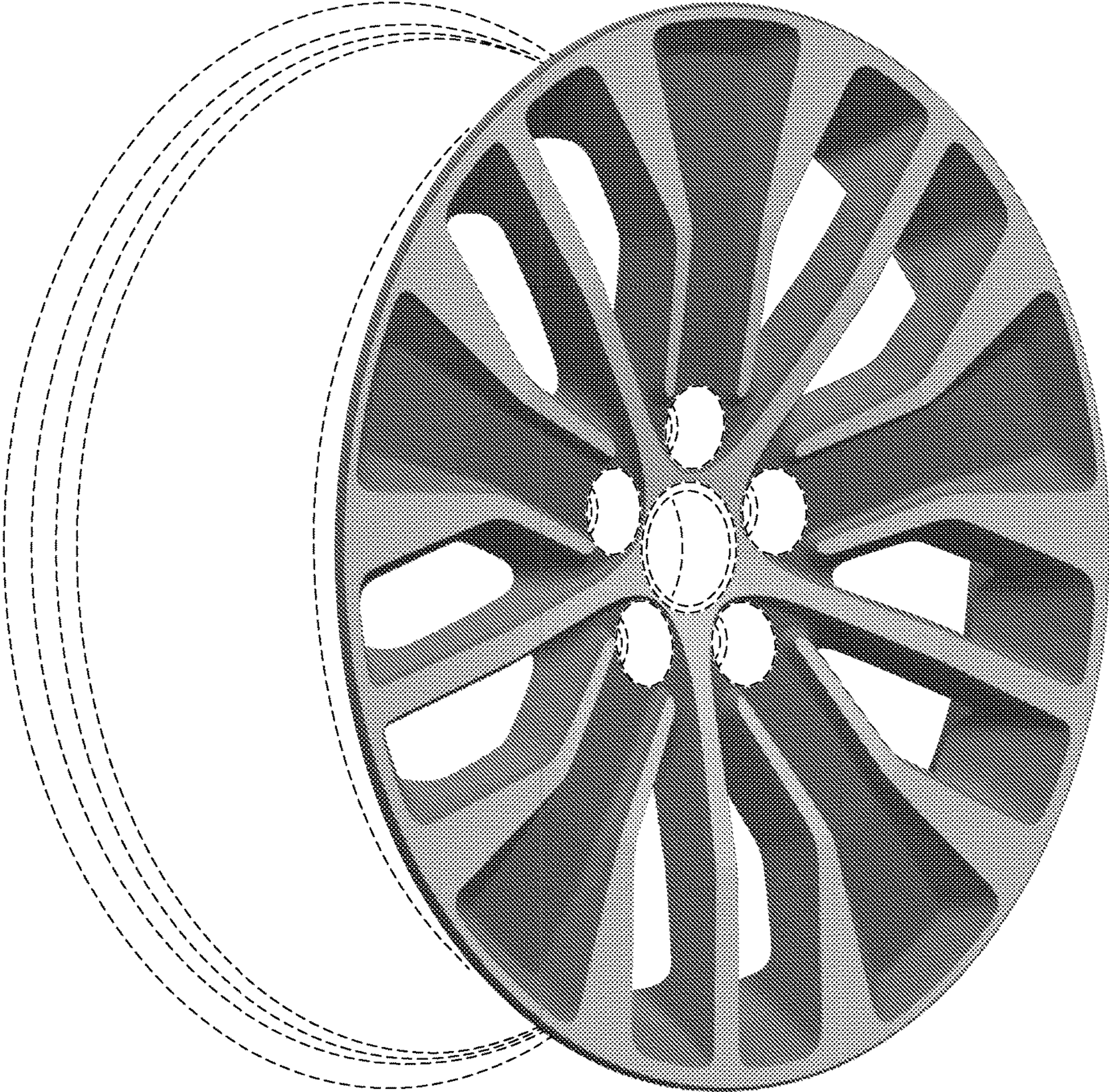


FIG. 4

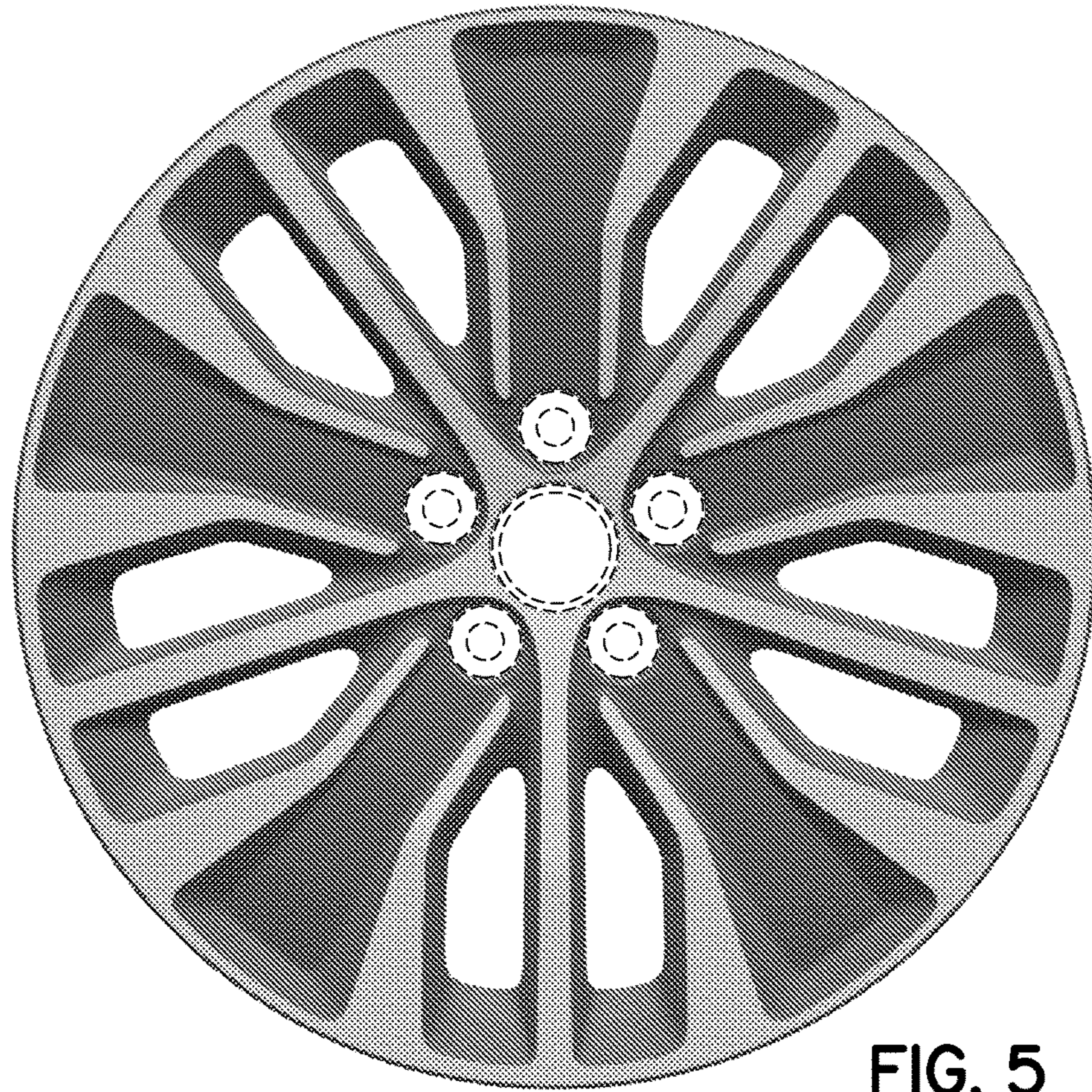


FIG. 5

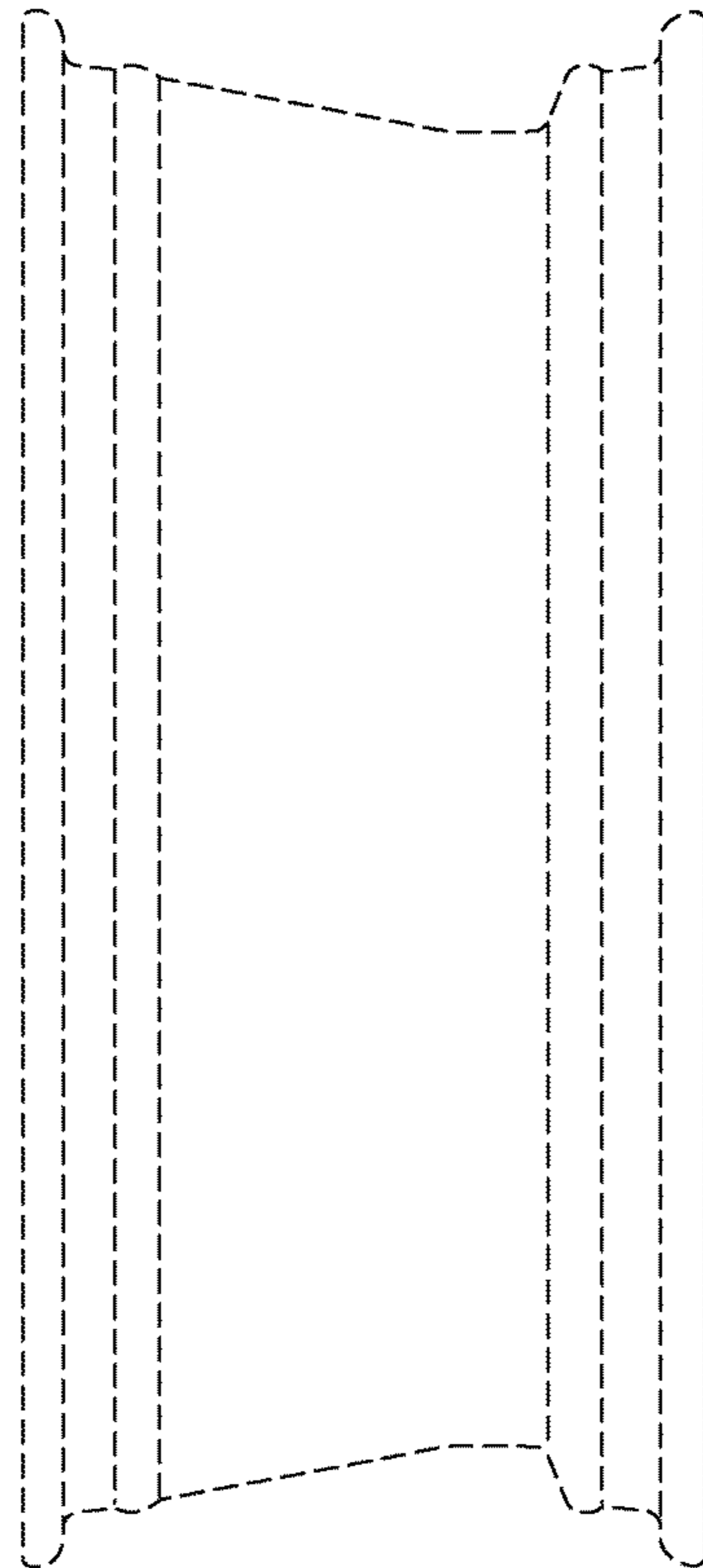


FIG. 6