



US00D849640S

(12) **United States Design Patent**
Battams

(10) **Patent No.:** **US D849,640 S**

(45) **Date of Patent:** **** May 28, 2019**

(54) **WHEEL**

(71) Applicant: **Jaguar Land Rover Limited**, Whitley,
Coventry (GB)

(72) Inventor: **Robert Battams**, Coventry (GB)

(73) Assignee: **Jaguar Land Rover Limited**, Whitley
Coventry (GB)

(**) Term: **15 Years**

(21) Appl. No.: **29/622,443**

(22) Filed: **Oct. 17, 2017**

(30) **Foreign Application Priority Data**

Apr. 21, 2017 (EM) 003867100

(51) **LOC (11) Cl.** **12-16**

(52) **U.S. Cl.**
USPC **D12/209**

(58) **Field of Classification Search**

USPC D12/204–213

CPC B60B 7/00; B60B 7/02; B60B 7/04; B60B
7/01; B60B 7/06; B60B 3/04; B60B 1/00;
B60B 3/10; B60B 1/10; B60B 1/08;
B60B 3/06; B60B 1/12; B60B 3/02

See application file for complete search history.

(56) **References Cited**

U.S. PATENT DOCUMENTS

D673,095 S * 12/2012 Behmer D12/209

D697,004 S * 1/2014 Pollmann D12/209

D697,007 S * 1/2014 Pollmann D12/209

D744,925 S *	12/2015	Wheel	D12/209
D746,751 S *	1/2016	Wheel	D12/209
D760,139 S *	6/2016	Dionisopoulos	D12/209
D775,574 S *	1/2017	Maher	D12/209
D792,828 S *	7/2017	Groth	D12/209
D793,937 S *	8/2017	Buck	D12/209
D795,148 S *	8/2017	Ariga	D12/209
D811,979 S *	3/2018	Svensson	D12/211
D822,572 S *	7/2018	Smith	D12/209
D832,762 S *	11/2018	Austin	D12/209
D834,486 S *	11/2018	Patel	D12/209

* cited by examiner

Primary Examiner — Stacia A Cadmus

(74) *Attorney, Agent, or Firm* — Wood Herron & Evans
LLP

(57) **CLAIM**

The ornamental design for a wheel, as shown and described.

DESCRIPTION

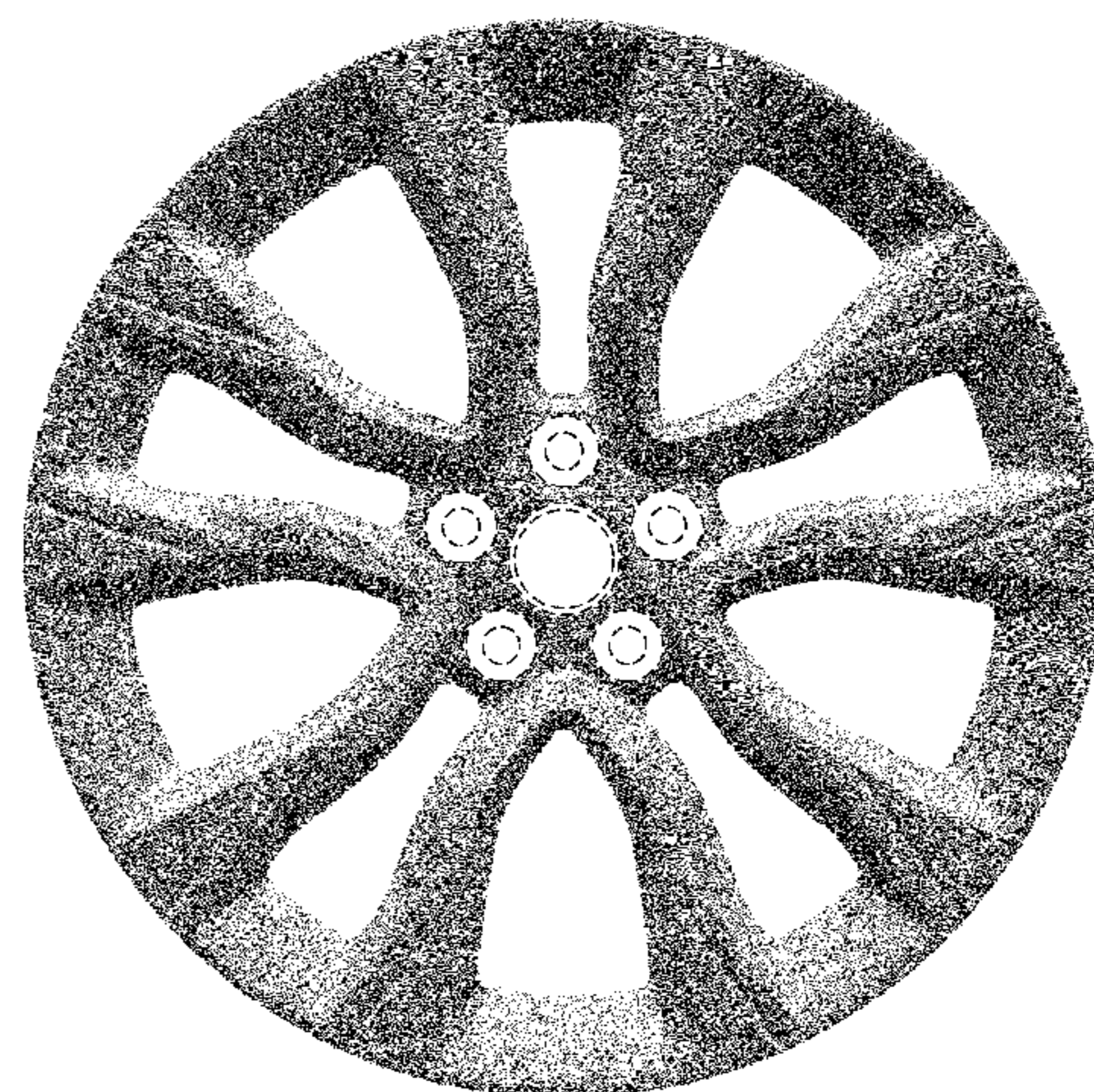
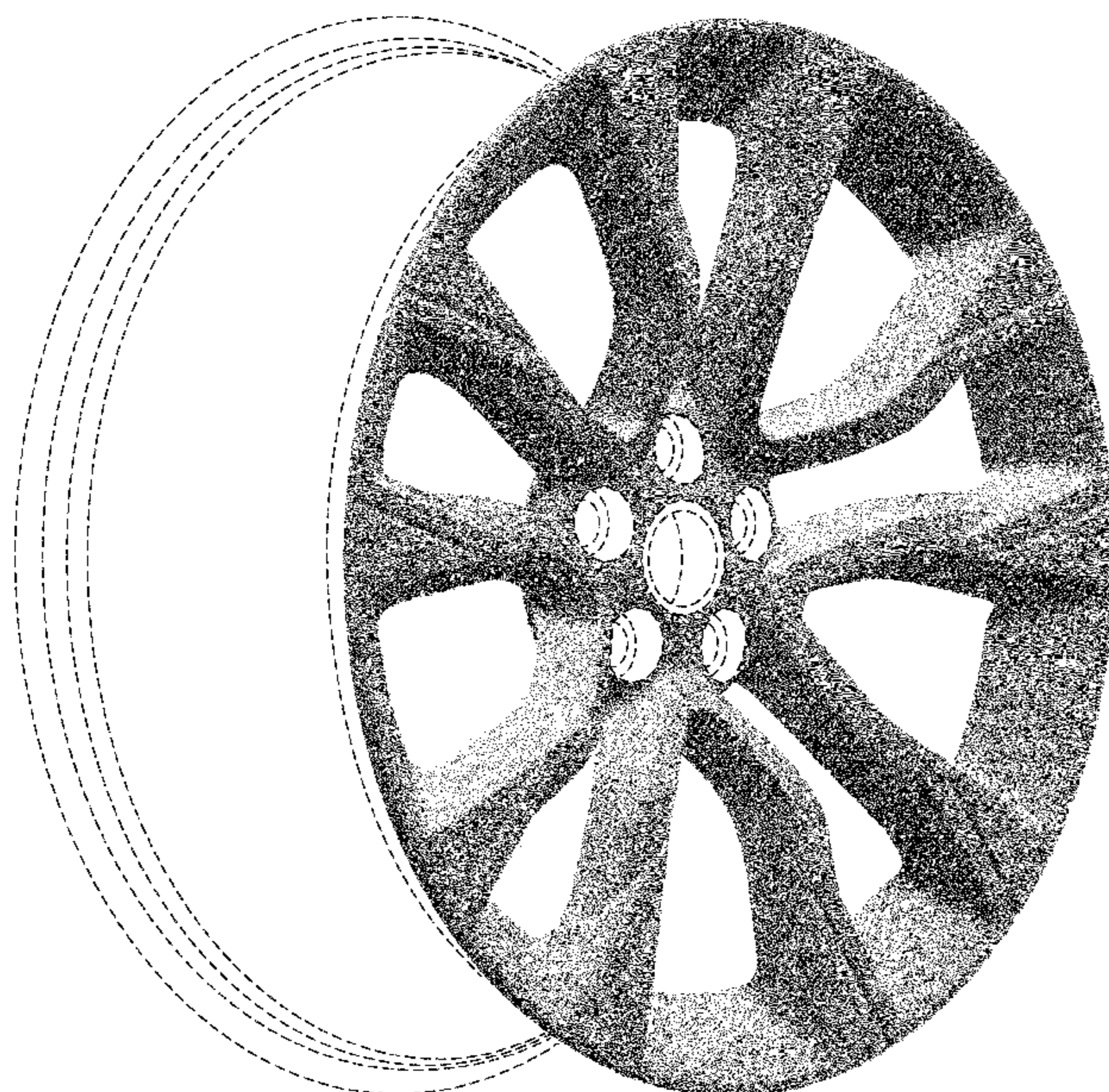
FIG. 1 is a front left perspective view of a wheel for a vehicle according to the present invention.

FIG. 2 is a front view of the wheel shown in FIG. 1; and, FIG. 3 is a side left view thereof, the right side being a mirror image thereof.

In FIGS. 1-3, the broken line showing of the rear of the rim, the bolt holes, and the center hole in the central hub area is included for the purpose of illustrating environment and forms no part of the claimed design.

In FIGS. 1-3, the broken lines show environmental structure and form no part of the claimed invention. More specifically, in FIGS. 1 and 2, the centrally located broken lines show wheel hub structure, including bolt holes.

1 Claim, 2 Drawing Sheets



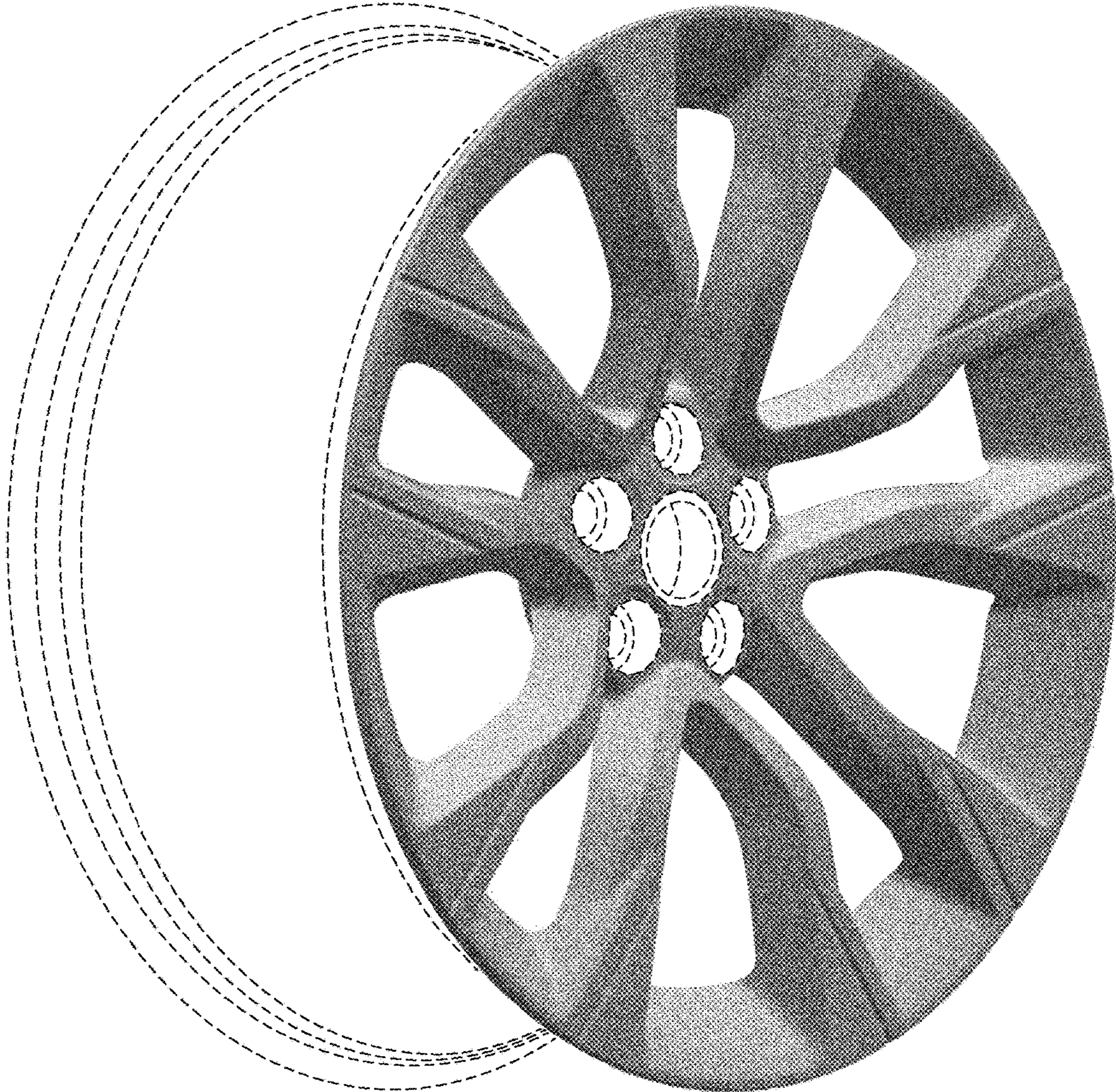


FIG. 1

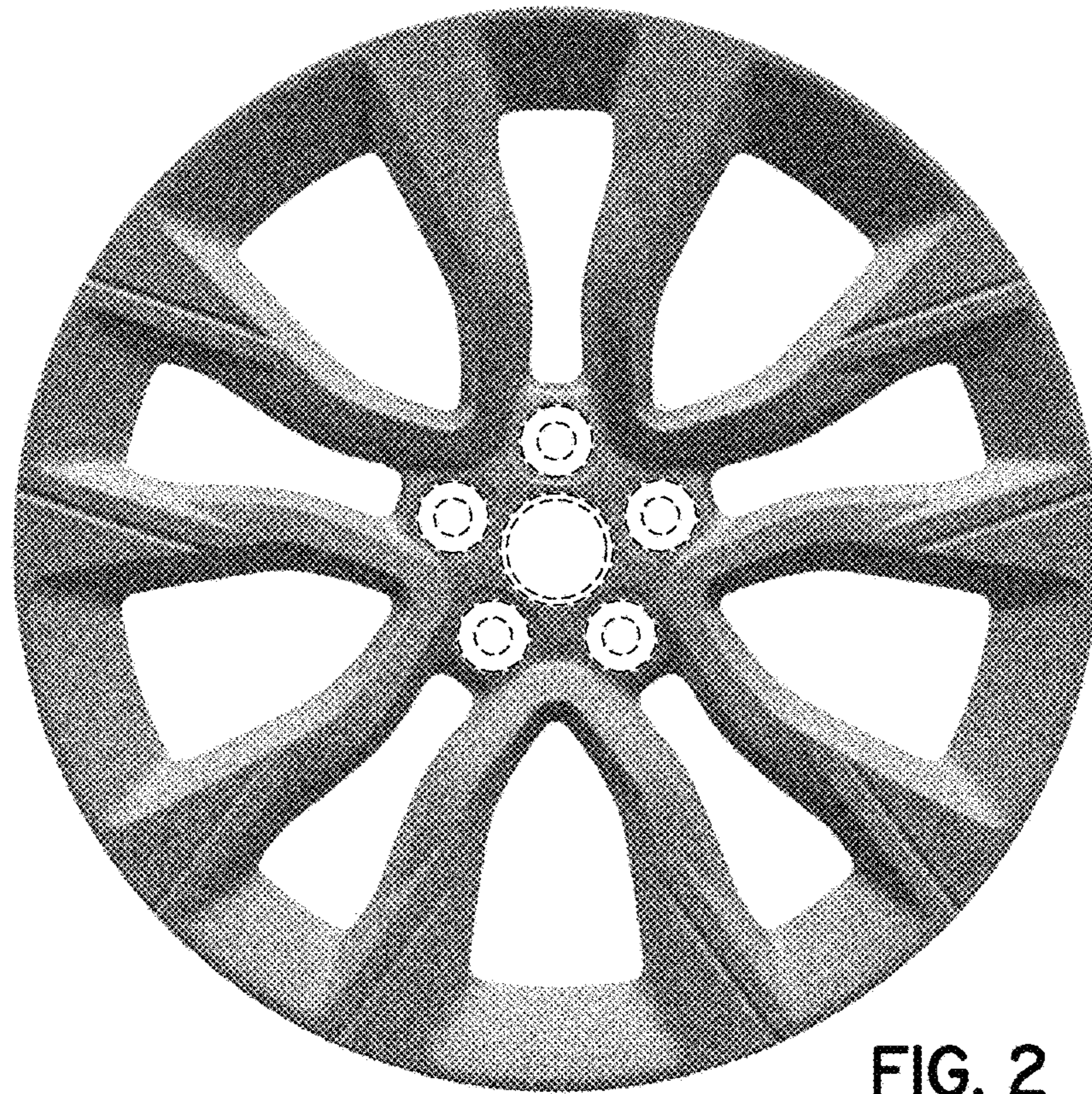


FIG. 2

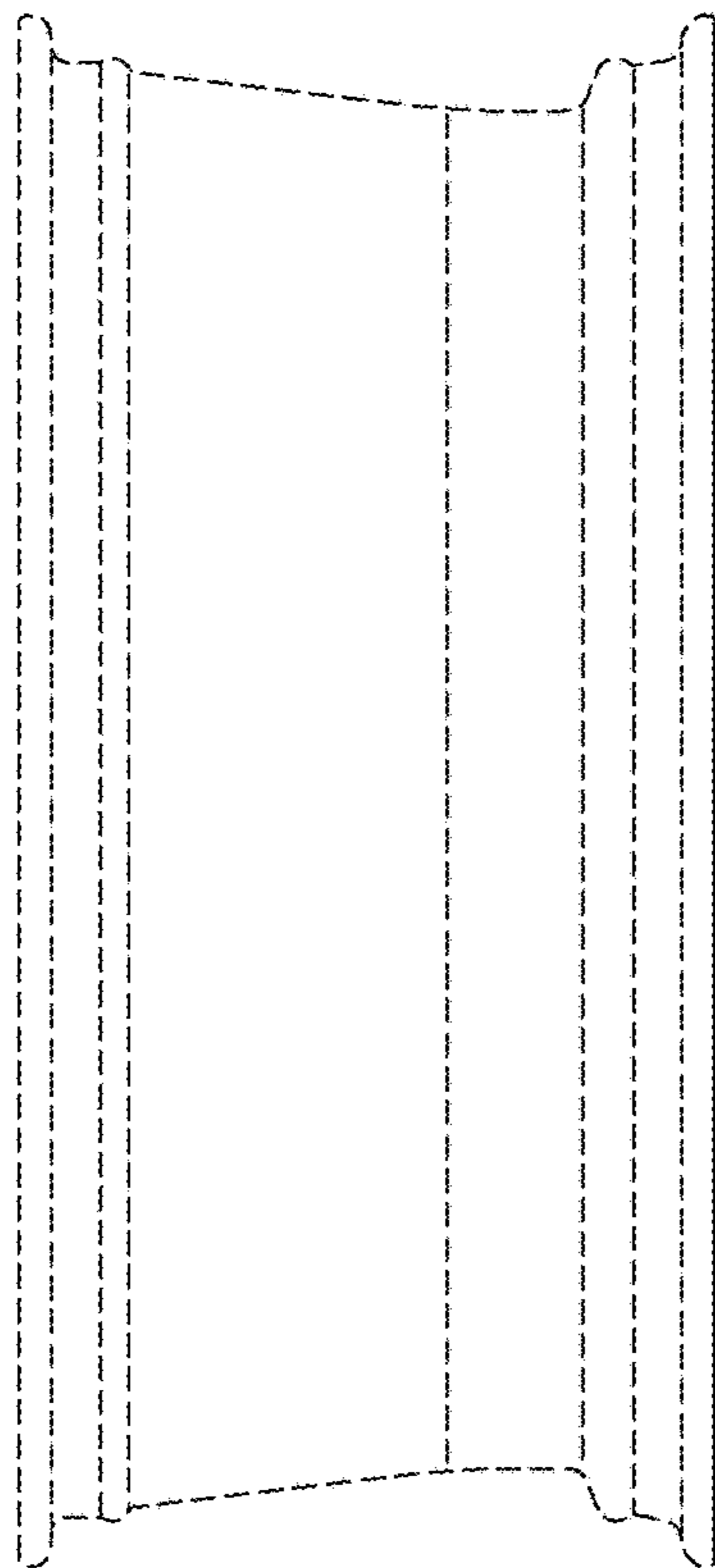


FIG. 3

UNITED STATES PATENT AND TRADEMARK OFFICE
CERTIFICATE OF CORRECTION

PATENT NO. : D849,640 S
APPLICATION NO. : 29/622443
DATED : May 28, 2019
INVENTOR(S) : Robert Battams

Page 1 of 1

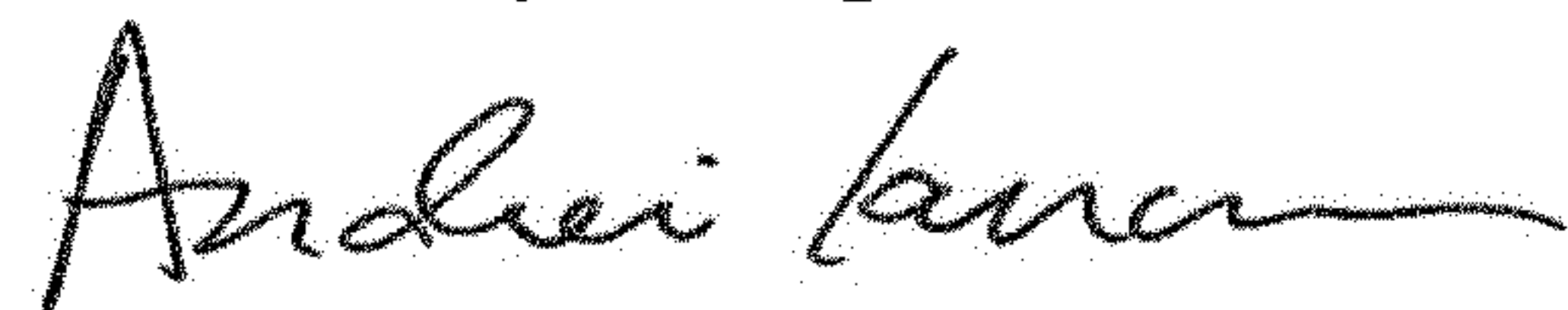
It is certified that error appears in the above-identified patent and that said Letters Patent is hereby corrected as shown below:

On the Title Page

Item (57), Column 2, under "Description", Line 4, "FIG. 3 is a side left view thereof, the right..."
should read --FIG. 3 is a left side view thereof, the right...--.

Column 2, under "Description", Lines 10-13 should be deleted.

Signed and Sealed this
Third Day of September, 2019



Andrei Iancu
Director of the United States Patent and Trademark Office