



US00D849639S

(12) **United States Design Patent**
Chen

(10) **Patent No.:** **US D849,639 S**

(45) **Date of Patent:** **** May 28, 2019**

(54) **VEHICLE WHEEL**

(71) Applicant: **Chin Hung Chen**, New Taipei (TW)

(72) Inventor: **Chin Hung Chen**, New Taipei (TW)

(**) Term: **15 Years**

(21) Appl. No.: **29/621,485**

(22) Filed: **Oct. 9, 2017**

(51) **LOC (11) Cl.** **12-16**

(52) **U.S. Cl.**
USPC **D12/209**

(58) **Field of Classification Search**
USPC D12/204–213; D21/533, 561, 563
CPC B60B 7/00; B60B 7/02; B60B 7/04; B60B
7/06; B60B 3/02; B60B 3/04; B60B 3/06;
B60B 3/10; B60B 1/00; B60B 1/08;
B60B 1/10; B60B 1/12
See application file for complete search history.

(56) **References Cited**

U.S. PATENT DOCUMENTS

D401,205 S	*	11/1998	Fischer	D12/209
D458,208 S	*	6/2002	Hartl	D12/211
D460,941 S	*	7/2002	Muzzarell	D12/211
D480,038 S	*	9/2003	Oh	D12/211
D481,664 S	*	11/2003	Vian	D12/211
D492,238 S	*	6/2004	Bernoni	D12/211

D500,003 S	*	12/2004	Guevara	D12/211
D741,776 S	*	10/2015	Zhao	D12/211
D751,481 S	*	3/2016	Chung	D12/209
D753,041 S	*	4/2016	Kim	D12/209
D775,047 S	*	12/2016	Wheel	D12/211
D783,500 S	*	4/2017	Hubers	D12/211
D801,253 S	*	10/2017	Taylor	D12/211
D805,994 S	*	12/2017	Platto	D12/211
D808,325 S	*	1/2018	Chung	D12/211
D808,881 S	*	1/2018	Simpson	D12/211
D817,845 S	*	5/2018	Guidry	D12/209
D833,949 S	*	11/2018	Sempek	D12/211

* cited by examiner

Primary Examiner — Sheryl Lane

Assistant Examiner — Calvin E Vansant

(74) *Attorney, Agent, or Firm* — Che-Yang Chen; Law
Offices of Scott Warmuth

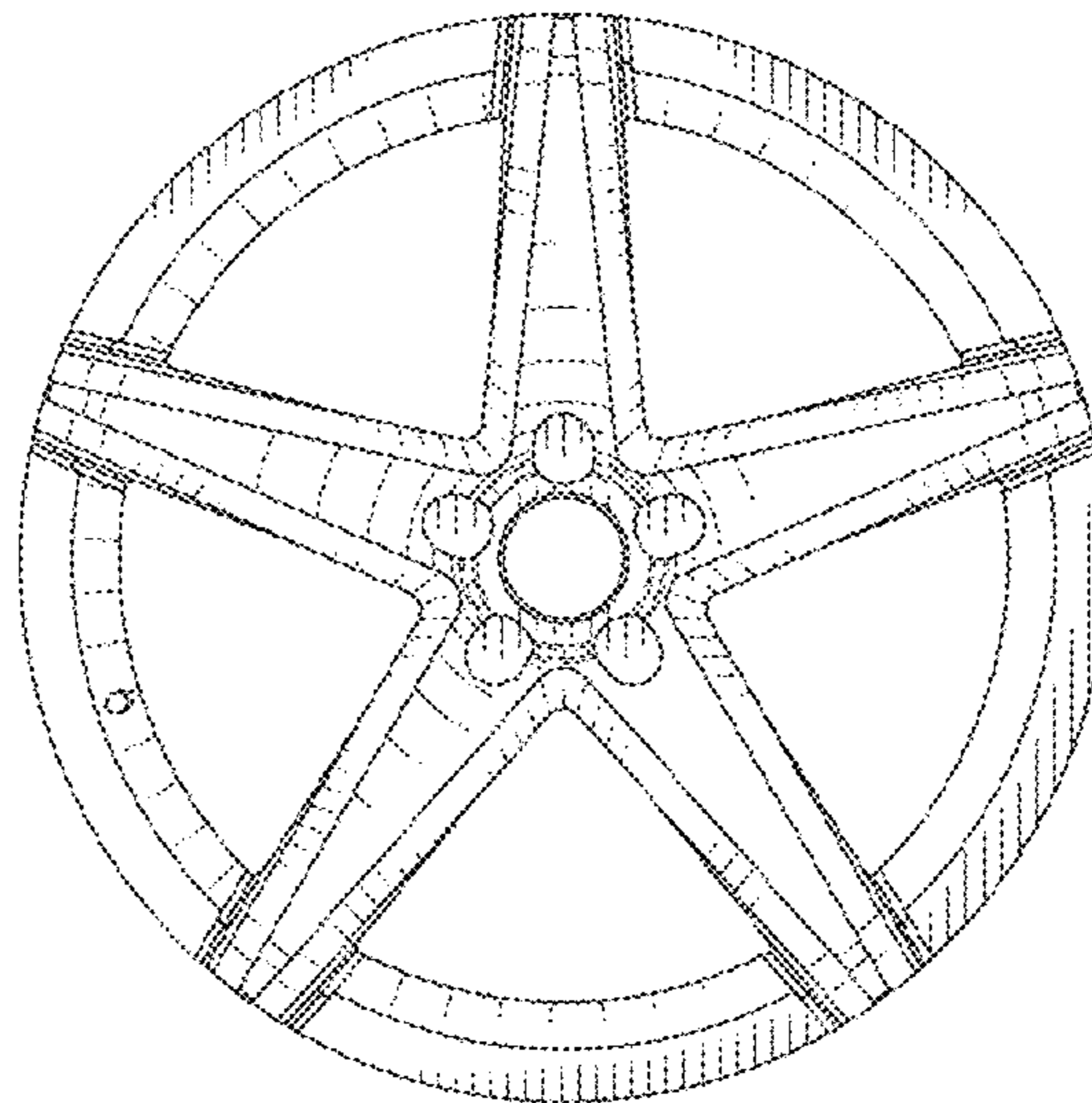
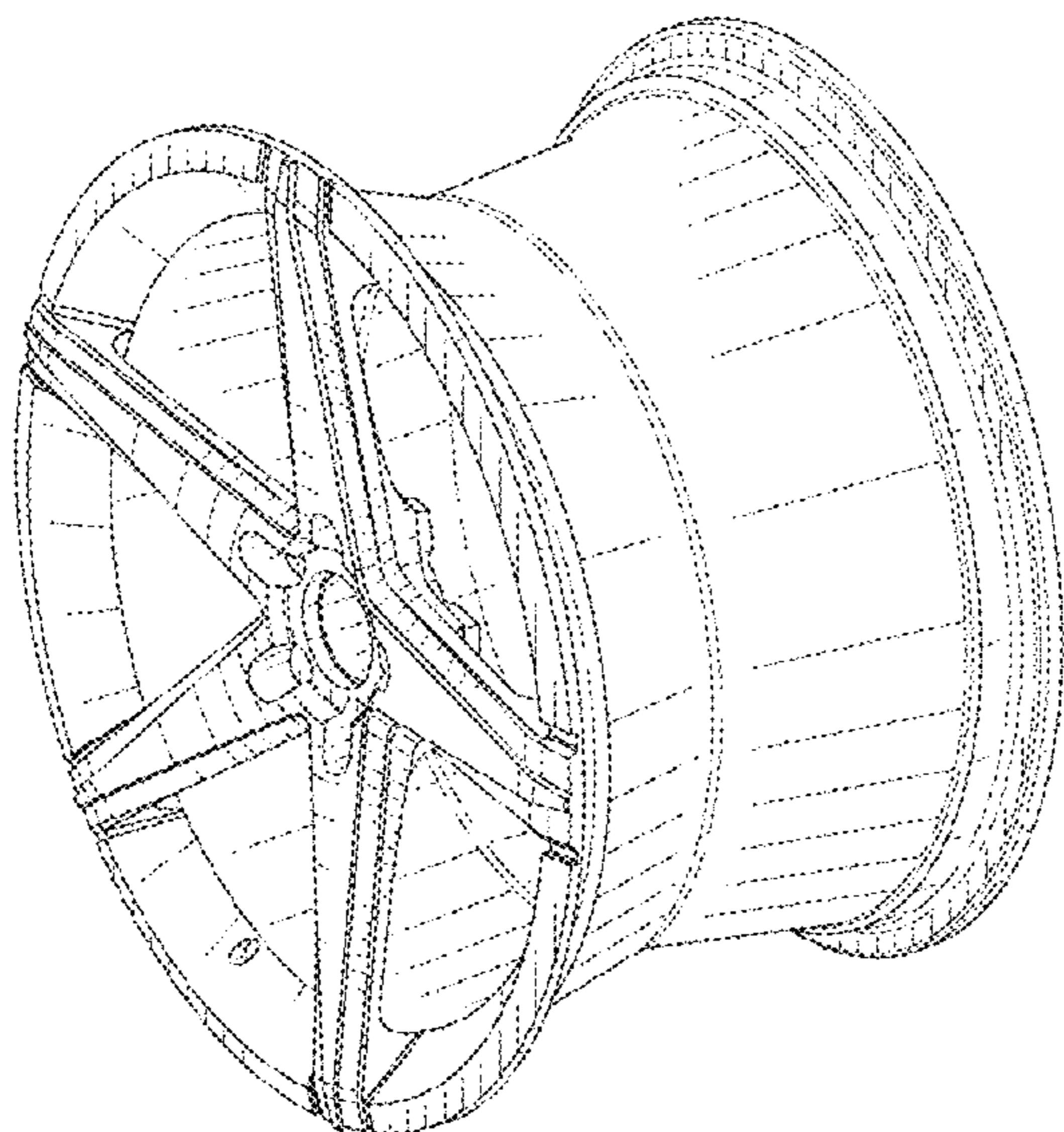
(57) **CLAIM**

The ornamental design for a vehicle wheel, as shown and described.

DESCRIPTION

FIG. 1 is a perspective view of the vehicle wheel showing my new design;
FIG. 2 is a front elevational view thereof;
FIG. 3 is a side view thereof; and,
FIG. 4 is a top plan view thereof.

1 Claim, 4 Drawing Sheets



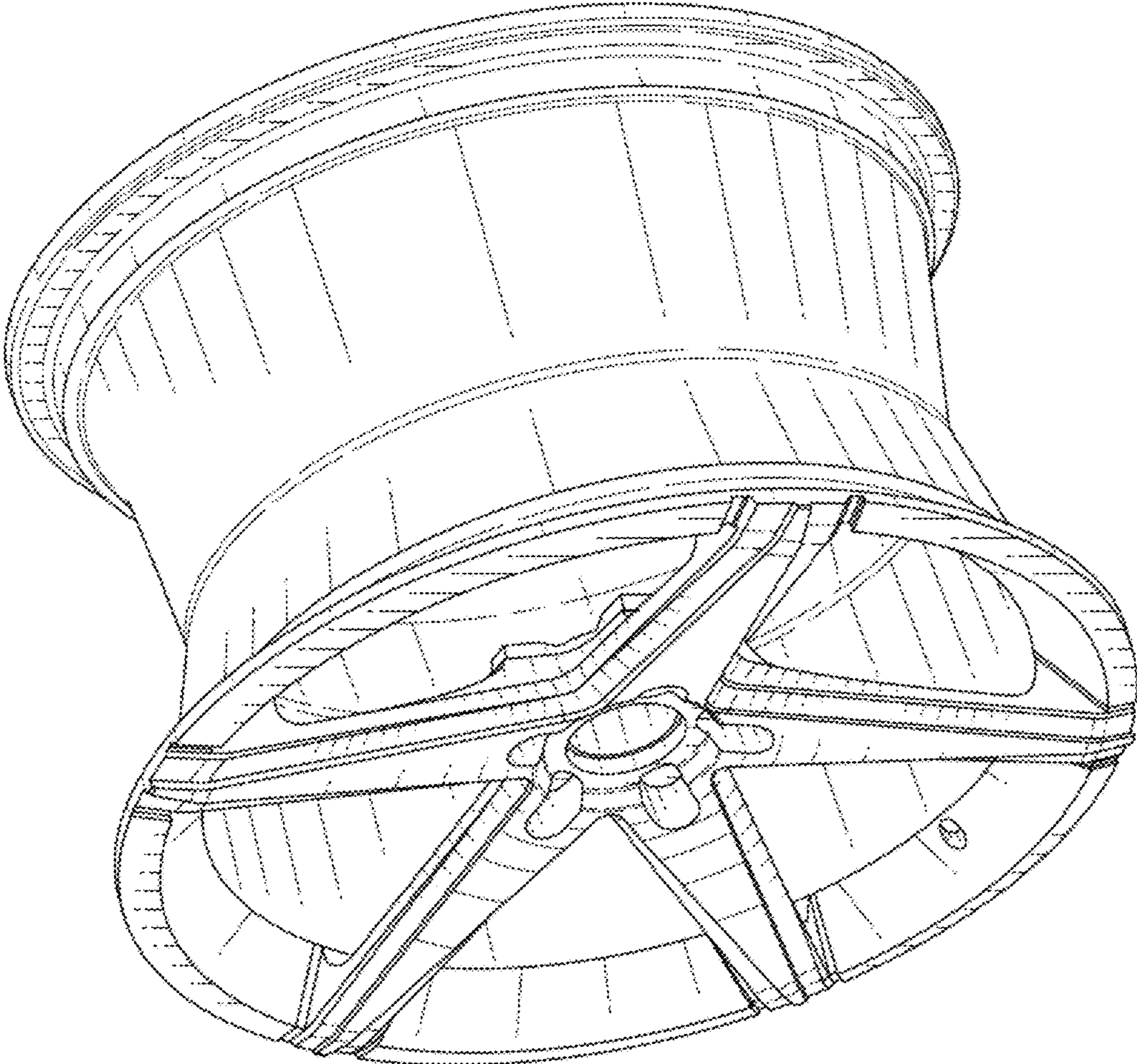


FIG. 1

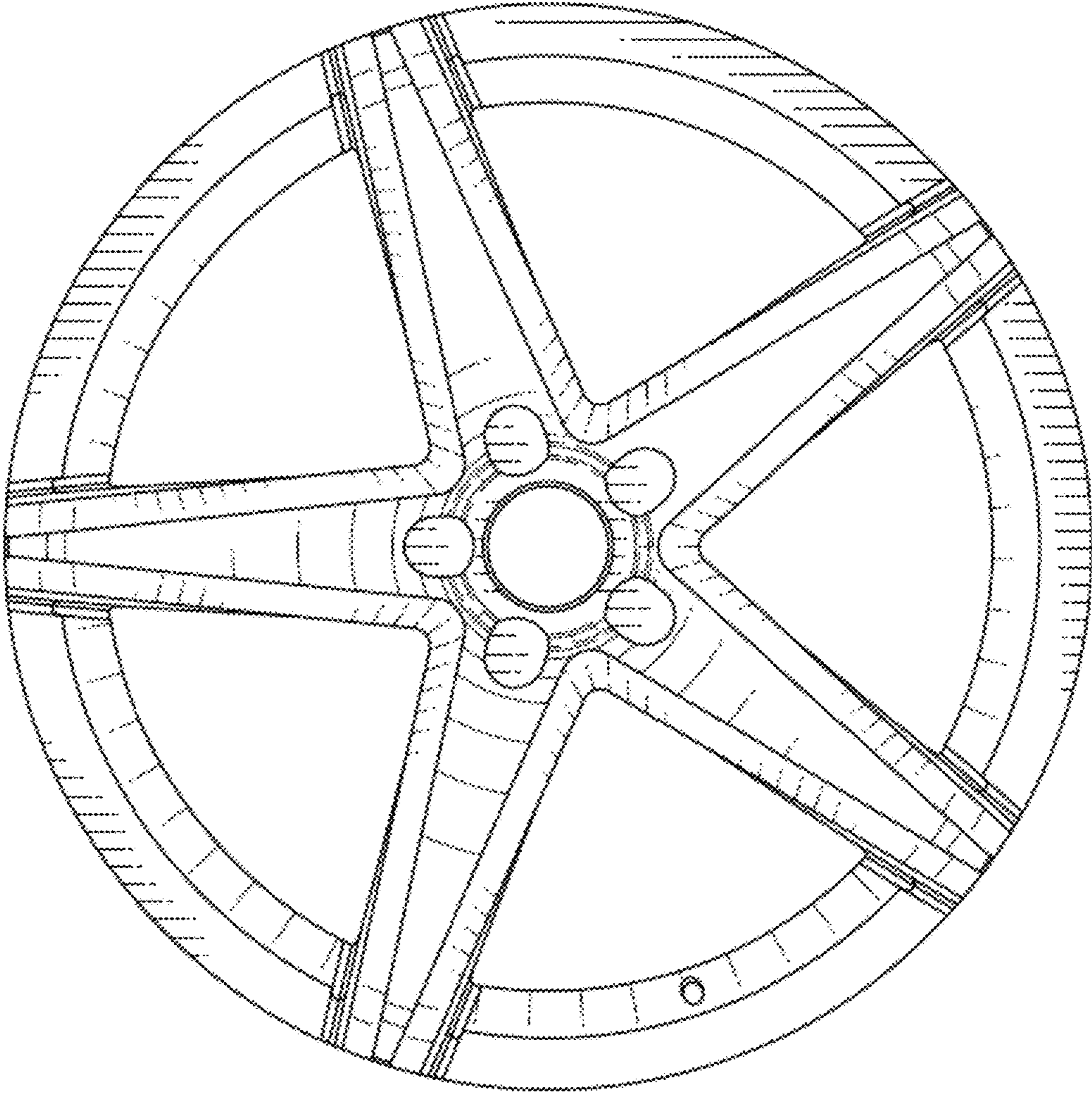


FIG. 2

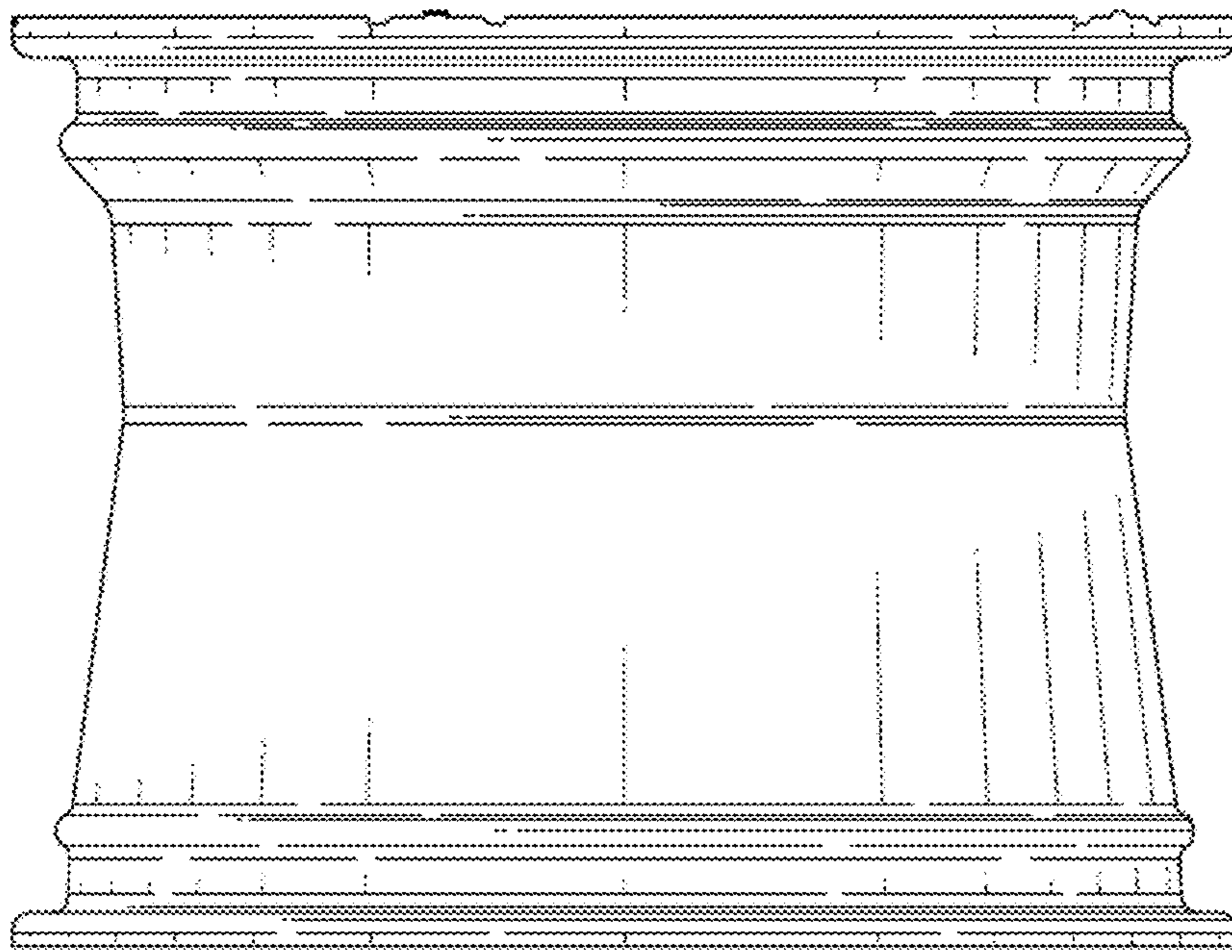


FIG. 3

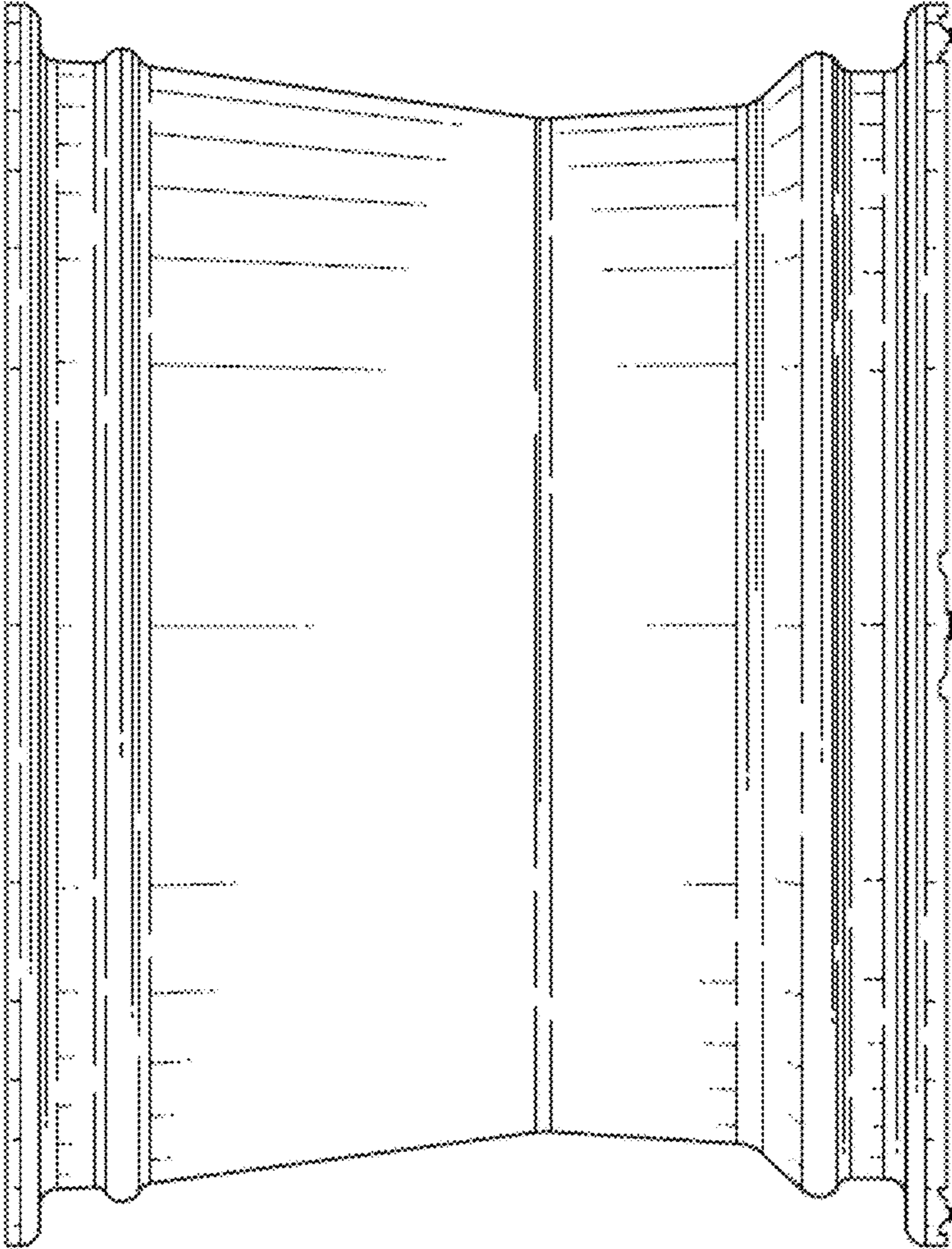


FIG. 4