



US00D849635S

(12) **United States Design Patent** (10) **Patent No.:** **US D849,635 S**
Vargo (45) **Date of Patent:** **** May 28, 2019**

- (54) **SET OF VEHICLE FLOOR MATS**
- (71) Applicant: **MacNeil IP LLC**, Bolingbrook, IL (US)
- (72) Inventor: **Scott A. Vargo**, Lombard, IL (US)
- (73) Assignee: **MACNEIL IP LLC**, Bolingbrook, IL (US)
- (**) Term: **15 Years**
- (21) Appl. No.: **29/641,356**
- (22) Filed: **Mar. 21, 2018**
- (51) **LOC (11) Cl.** **12-16**
- (52) **U.S. Cl.**
USPC **D12/203**
- (58) **Field of Classification Search**
USPC D12/203, 221; D6/582-586, 592-594
CPC B60R 13/01; B60N 3/044; B60N 33/04
See application file for complete search history.

(56) **References Cited**

U.S. PATENT DOCUMENTS

D291,986 S *	9/1987	Nilsson	D12/203
302,416 A	7/1989	Lehner		
D302,417 S *	7/1989	Lehner	D12/203
D404,351 S *	1/1999	Kruk	D12/203
425,851 A	5/2000	Tucker		
432,478 A	10/2000	Lu		
D436,566 S *	1/2001	Iacovelli	D12/203
444,115 A1	6/2001	Iacovelli		
D450,645 S *	11/2001	Love	D12/203
D485,110 S *	1/2004	Theorin	D6/582
D489,306 S *	5/2004	Kraines	D12/203
514,493 A1	2/2006	MacNeil		
D514,493 S *	2/2006	MacNeil	D12/203
D522,428 S *	6/2006	MacNeil	D12/203
D529,852 S *	10/2006	Thom	D12/203
530,250 A1	10/2006	Thom		

(Continued)

Primary Examiner — Michelle E. Wilson
Assistant Examiner — Clese Moore, Jr.
 (74) *Attorney, Agent, or Firm* — Perkins IP Law Group LLC; Jefferson Perkins

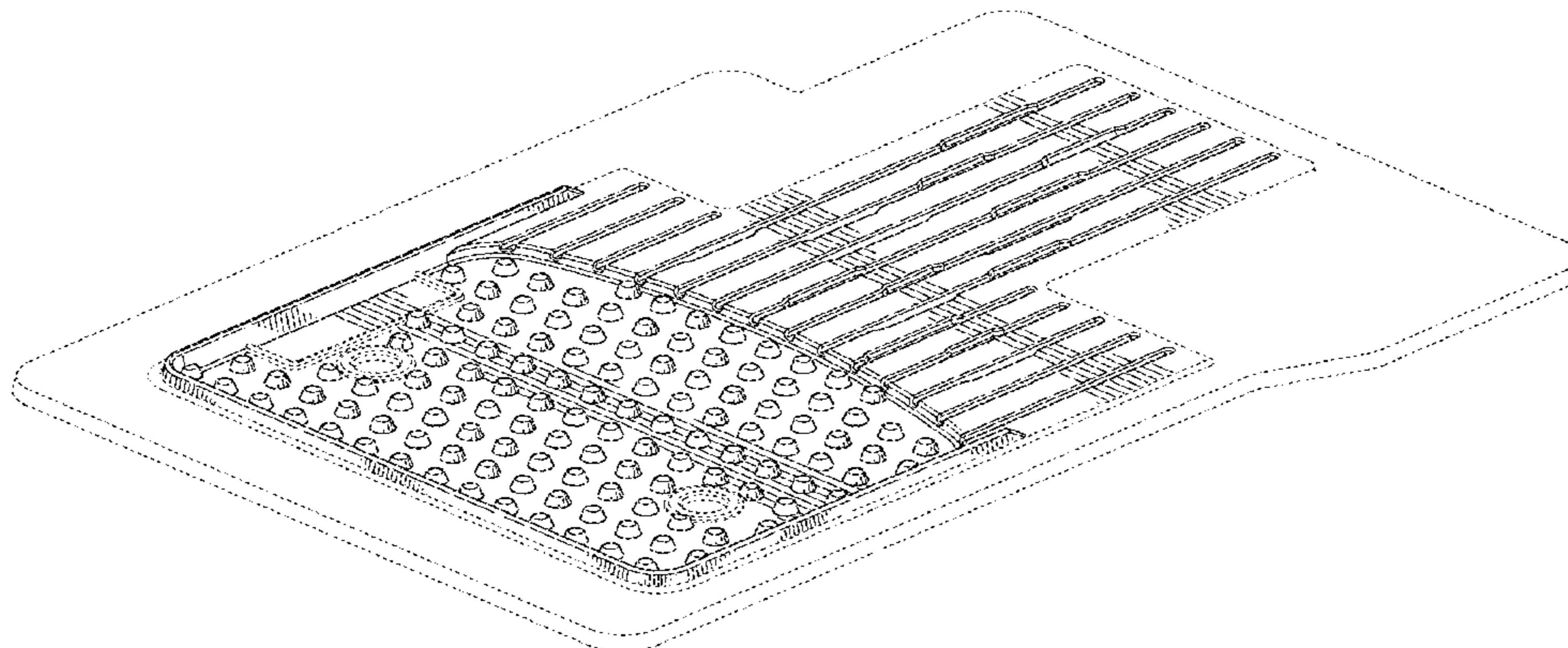
(57) **CLAIM**

I claim the ornamental design for a set of vehicle floor mats, as shown and described.

DESCRIPTION

FIG. 1 is a top perspective view of a driver's side mat incorporating my design;
 FIG. 2 is a top view thereof;
 FIG. 3 is a longitudinal sectional view taken along line 3-3 of FIG. 2;
 FIG. 4 is a transverse sectional view taken along line 4-4 of FIG. 2;
 FIG. 5 is a transverse sectional view taken along line 5-5 of FIG. 2;
 FIG. 6 is a top perspective view of a passenger's side mat incorporating my design;
 FIG. 7 is a top view of the mat shown in FIG. 6;
 FIG. 8 is a longitudinal sectional view taken along line 8-8 of FIG. 7;
 FIG. 9 is a transverse sectional view taken along line 9-9 of FIG. 7;
 FIG. 10 is a transverse sectional view taken along line 10-10 of FIG. 7;
 FIG. 11 is a top perspective view of a second-row mat incorporating my design;
 FIG. 12 is a top view of the mat shown in FIG. 11;
 FIG. 13 is a longitudinal sectional view taken along line 13-13 of FIG. 12; and,
 FIG. 14 is a transverse sectional view taken along line 14-14 of FIG. 12.
 The external sides and bottoms of the mats are unadorned and form no portion of the claimed design. The broken lines shown illustrate environment that forms no part of the claimed design.

1 Claim, 9 Drawing Sheets



(56)

References Cited

U.S. PATENT DOCUMENTS

D530,250 S * 10/2006 Thom D12/203
D555,571 S * 11/2007 Eskandry D12/400
7,784,848 B2 * 8/2010 MacNeil B29C 47/0021
296/97.23
650,730 A1 12/2011 Jeackjuntra
8,080,302 B2 12/2011 Gifford
D656,874 S * 4/2012 MacNeil D12/203
D656,875 S * 4/2012 MacNeil D12/203
8,899,655 B1 * 12/2014 MacNeil B60N 3/044
296/97.23
D763,600 S * 8/2016 Huss D6/582
D782,382 S * 3/2017 Jaimes D12/203
796,227 A1 9/2017 MacNeil
D801,248 S * 10/2017 Zheng D12/203
804,385 A1 12/2017 MacNeil
D804,386 S * 12/2017 Tan D12/203
2013/0171419 A1 * 7/2013 Tyler B60N 3/044
428/167

* cited by examiner

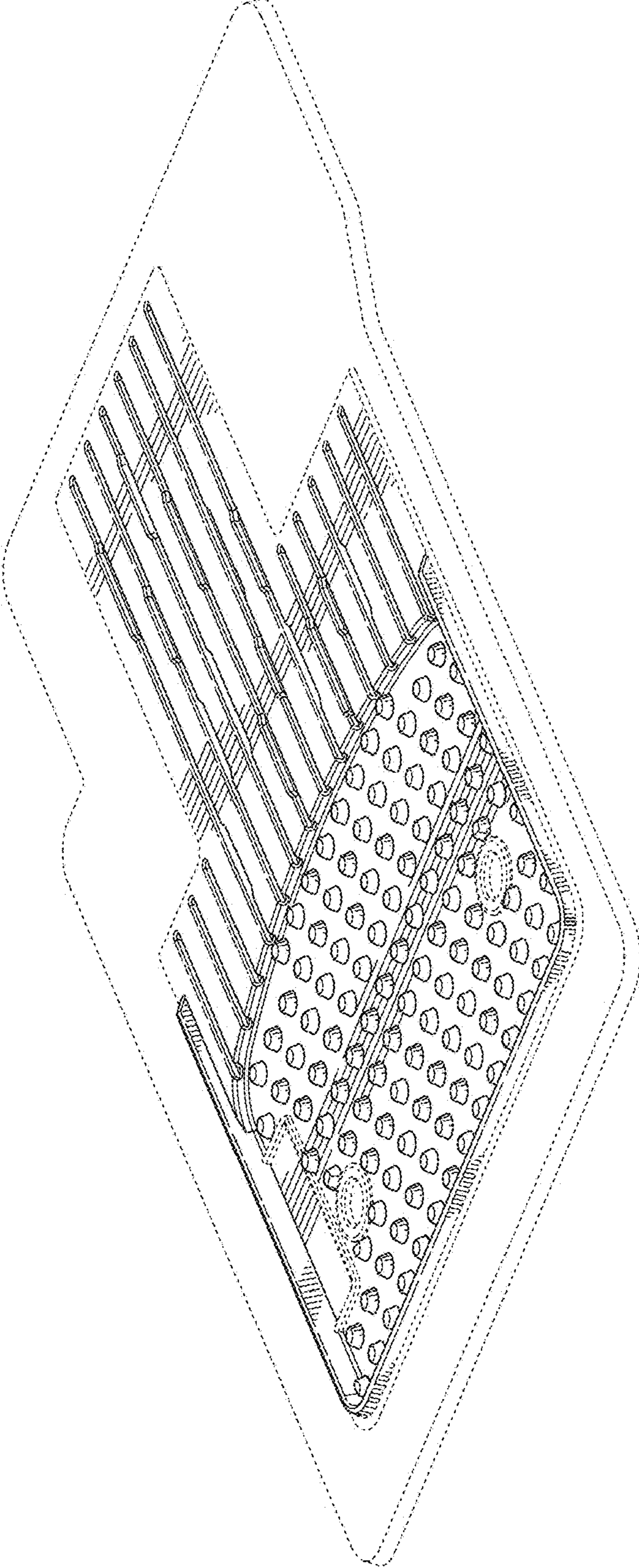


FIG. 1

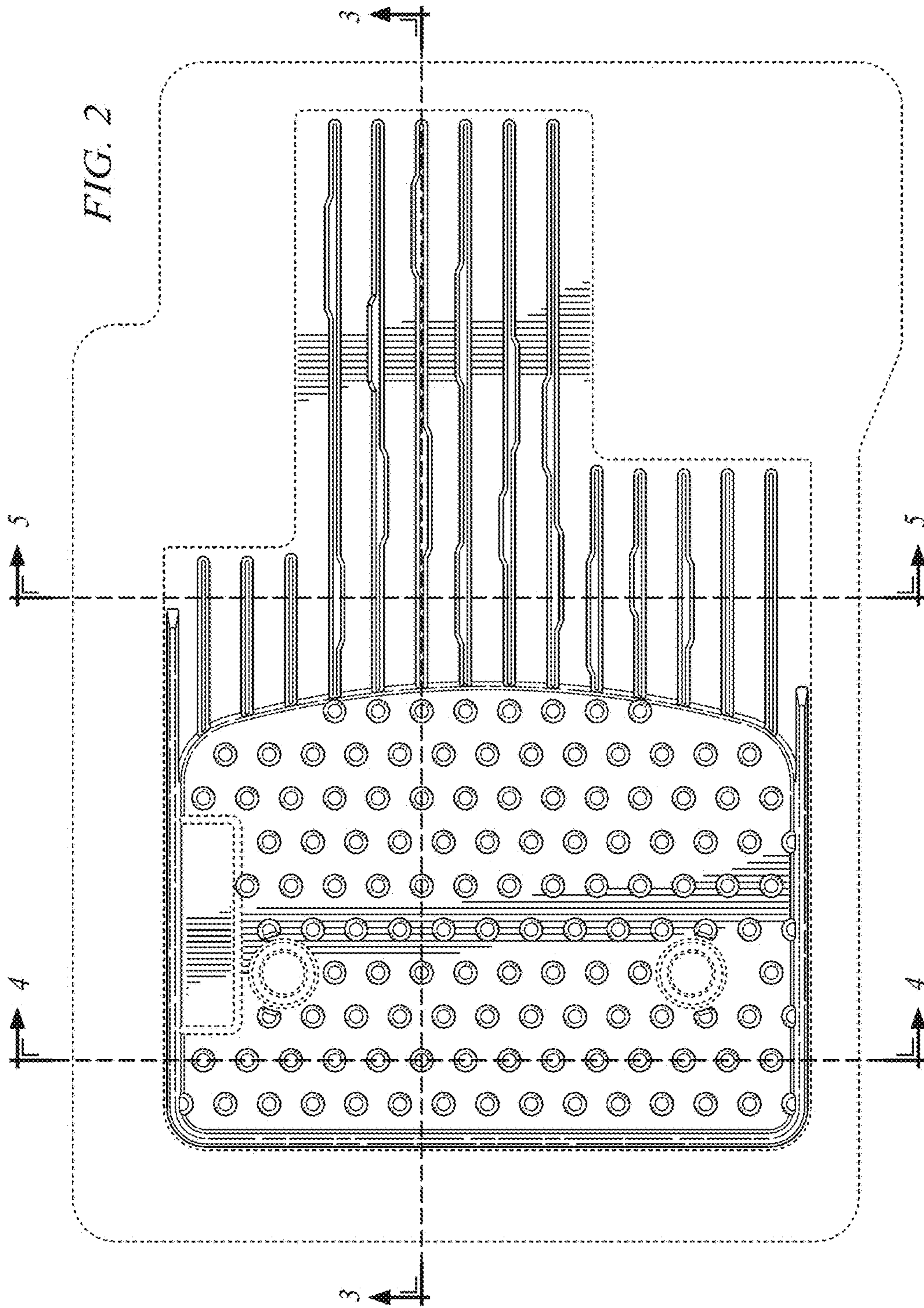




FIG. 3



FIG. 4



FIG. 5

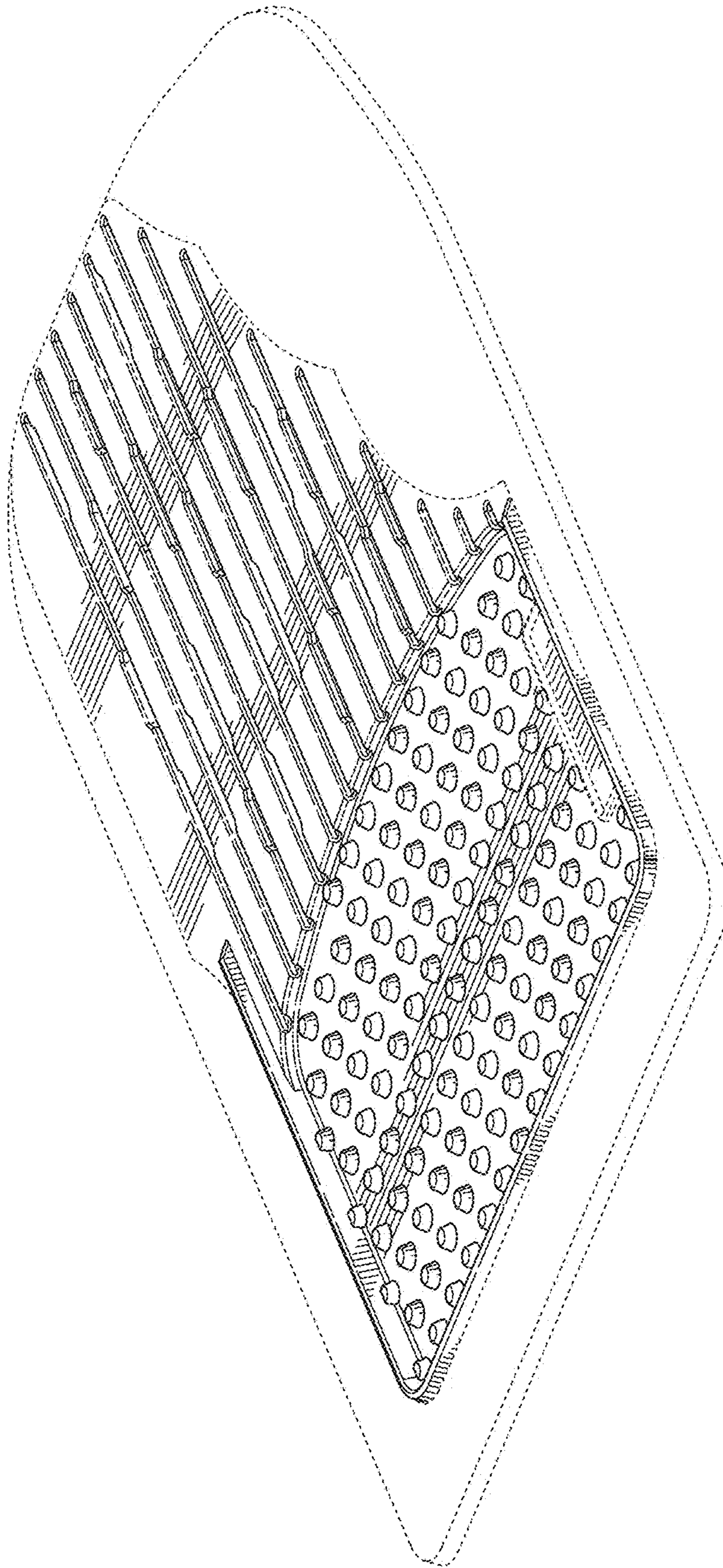


FIG. 6

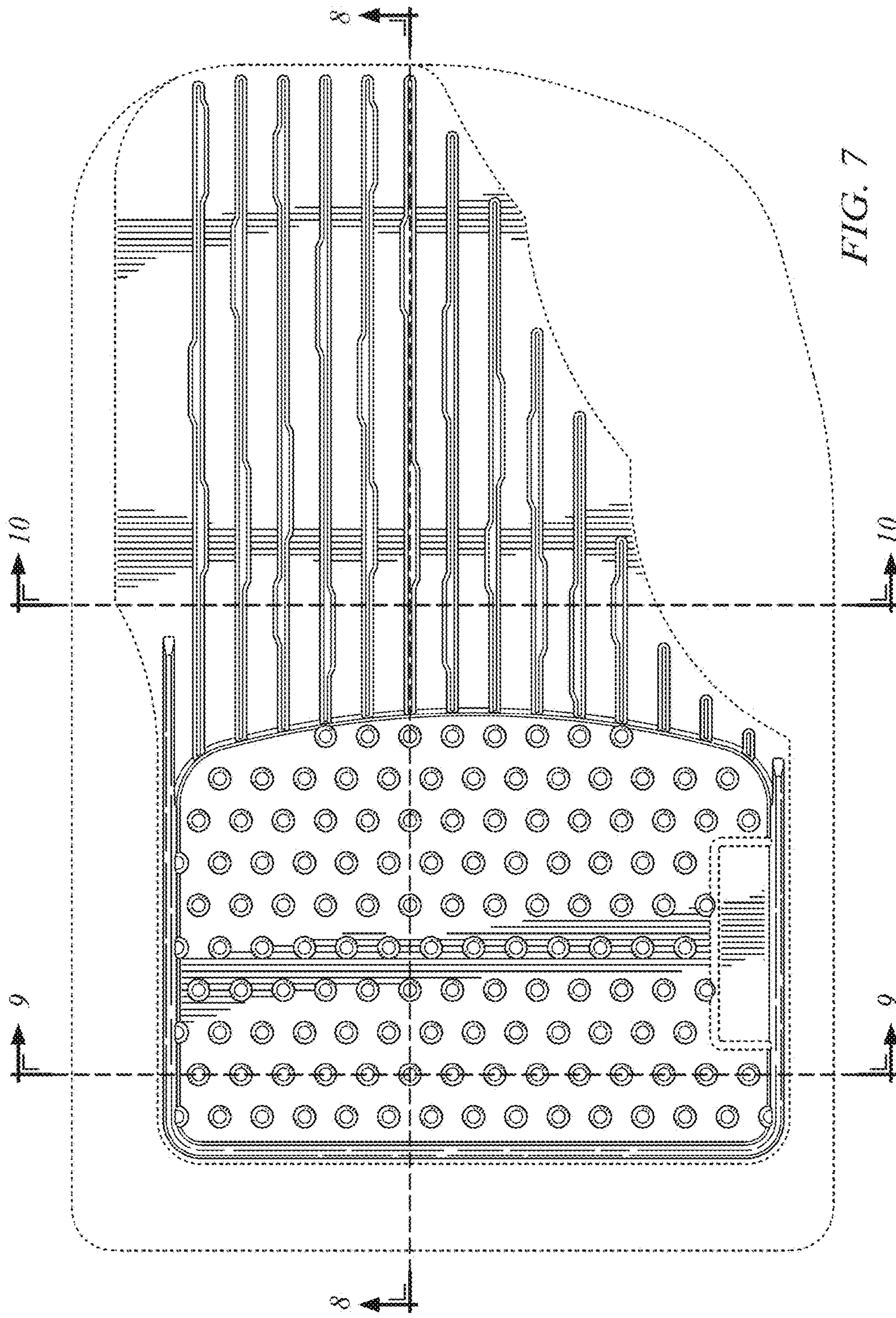


FIG. 7



FIG. 8



FIG. 9



FIG. 10

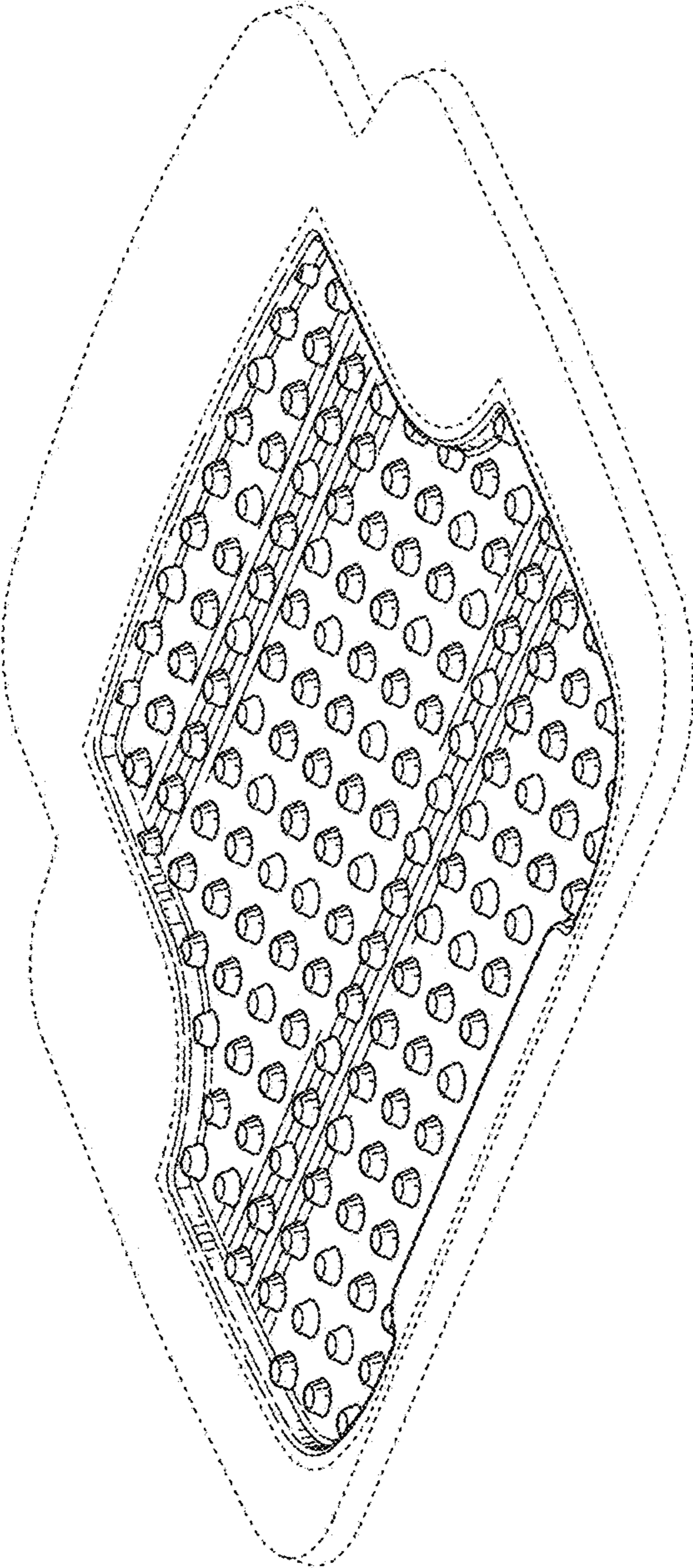


FIG. 11

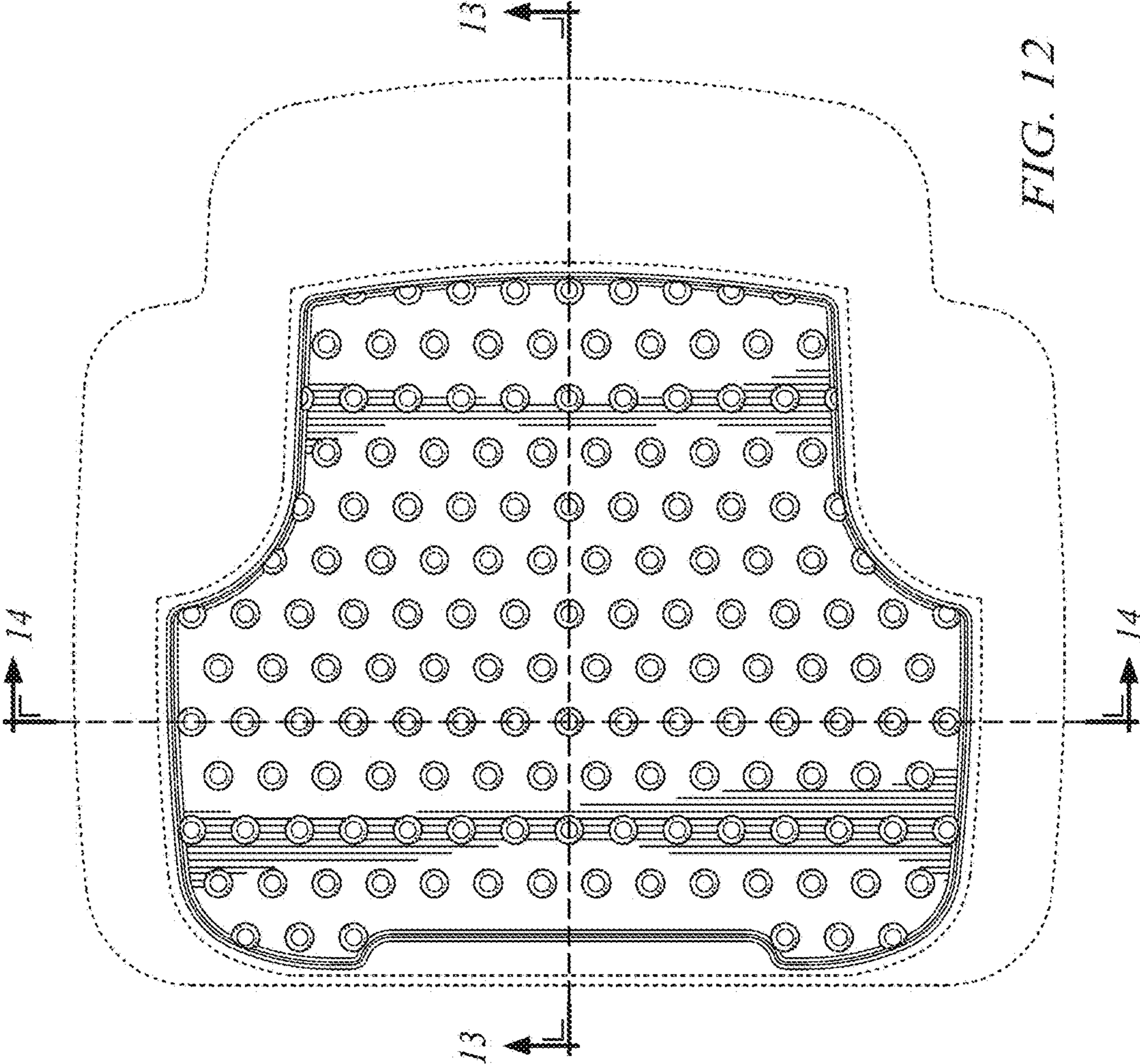




FIG. 13



FIG. 14