



US00D849634S

(12) **United States Design Patent**
Huang

(10) **Patent No.:** **US D849,634 S**

(45) **Date of Patent:** **** May 28, 2019**

(54) **VEHICLE HOOD ORNAMENT**

(71) Applicant: **Nan Huang Huang**, Rancho Palos Verdes, CA (US)

(72) Inventor: **Nan Huang Huang**, Rancho Palos Verdes, CA (US)

(73) Assignee: **Grand General Accessories LLC**, Rancho Dominguez, CA (US)

(**) Term: **15 Years**

(21) Appl. No.: **29/636,180**

(22) Filed: **Feb. 6, 2018**

(51) **LOC (11) Cl.** **12-16**

(52) **U.S. Cl.**
USPC **D12/197**

(58) **Field of Classification Search**
USPC D12/197-201, 181, 110, 114, 218;
D11/162, 124, 160, 128
CPC B60R 13/005
See application file for complete search history.

(56) **References Cited**

U.S. PATENT DOCUMENTS

D422,958 S * 4/2000 Conway D12/197
D461,152 S * 8/2002 Schmitt D12/197
D472,869 S * 4/2003 Wu D12/197
D538,214 S * 3/2007 Conway D12/197

D545,746 S * 7/2007 Egan D12/197
D722,934 S * 2/2015 Conway D12/197
D803,324 S * 11/2017 Bussey D21/370

* cited by examiner

Primary Examiner — Katrina A Betton

(74) *Attorney, Agent, or Firm* — Thomas I. Rozsa

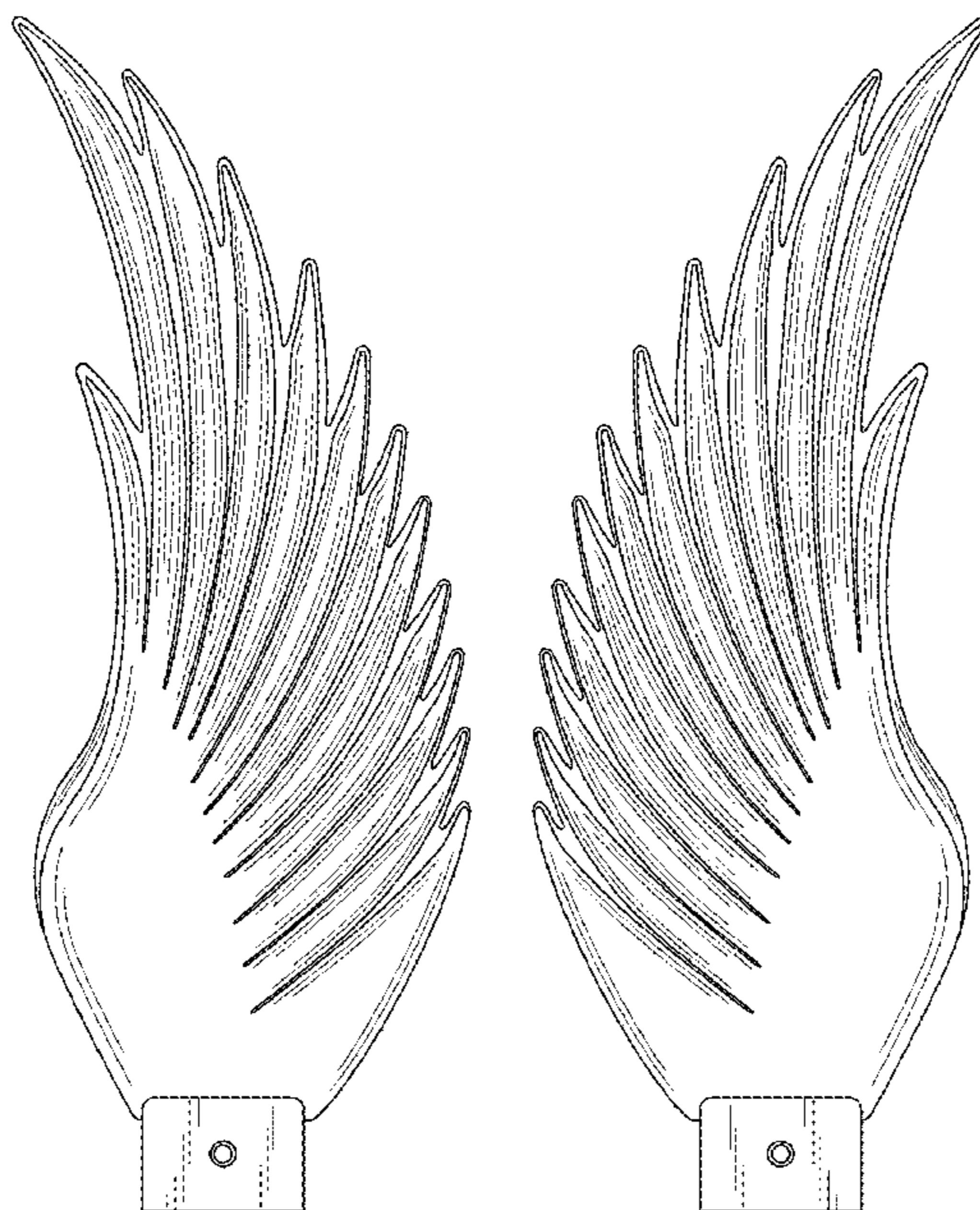
(57) **CLAIM**

The ornamental design for a vehicle hood ornament, as shown and described.

DESCRIPTION

FIG. 1 is a left side perspective view of a first embodiment of the vehicle hood ornament, showing my new design; FIG. 2 is a right side perspective view thereof; FIG. 3 is a left side view thereof; FIG. 4 is a right side view thereof; FIG. 5 is a rear elevational view thereof; FIG. 6 is a front elevational view thereof; FIG. 7 is a top plan view thereof; FIG. 8 is a bottom plan view thereof; FIG. 9 is a right side perspective view of a second embodiment of the vehicle hood ornament; FIG. 10 is a left side perspective view thereof; FIG. 11 is a right side view thereof; FIG. 12 is a left side view thereof; FIG. 13 is a rear elevational view thereof; FIG. 14 is a front elevational view thereof; FIG. 15 is a top plan view thereof; FIG. 16 is a bottom plan view thereof; and, FIG. 17 is a left side view of the first embodiment and a right side view of the second embodiment.

1 Claim, 13 Drawing Sheets



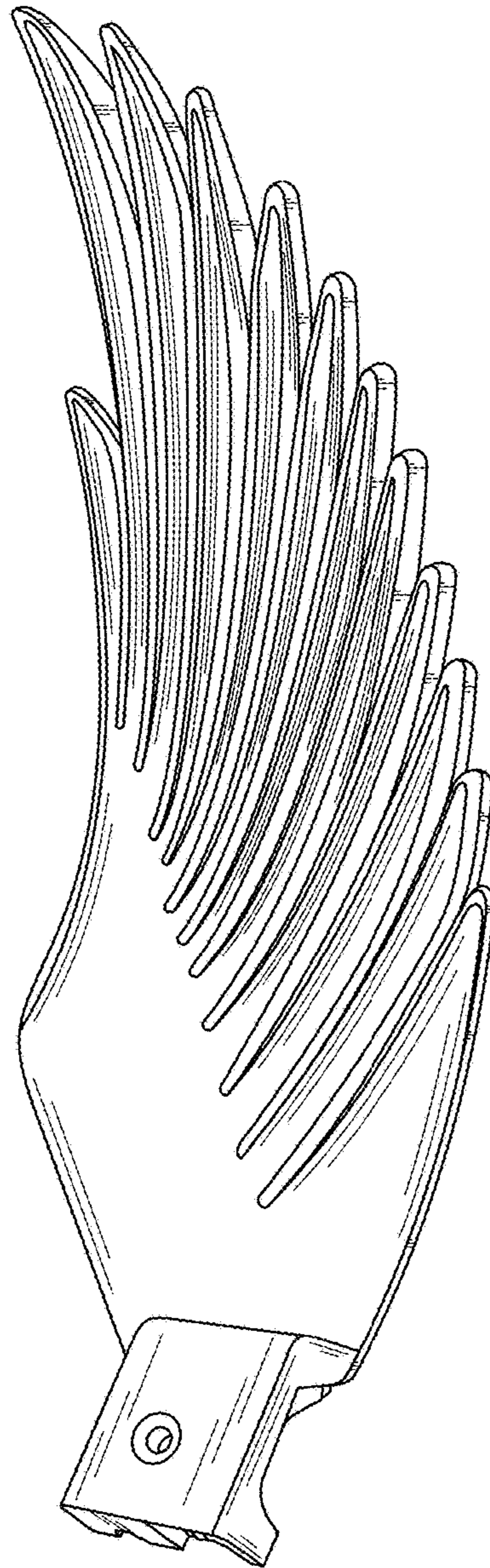


FIG. 1

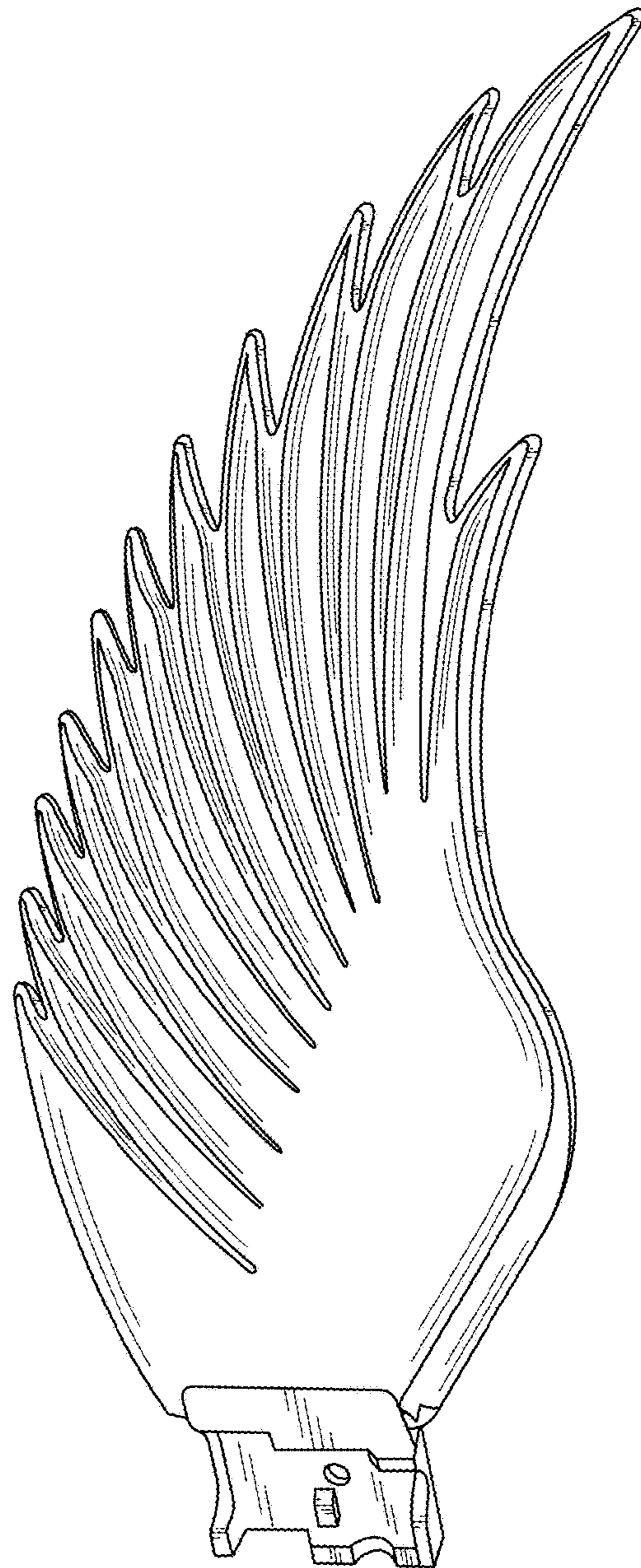


FIG. 2

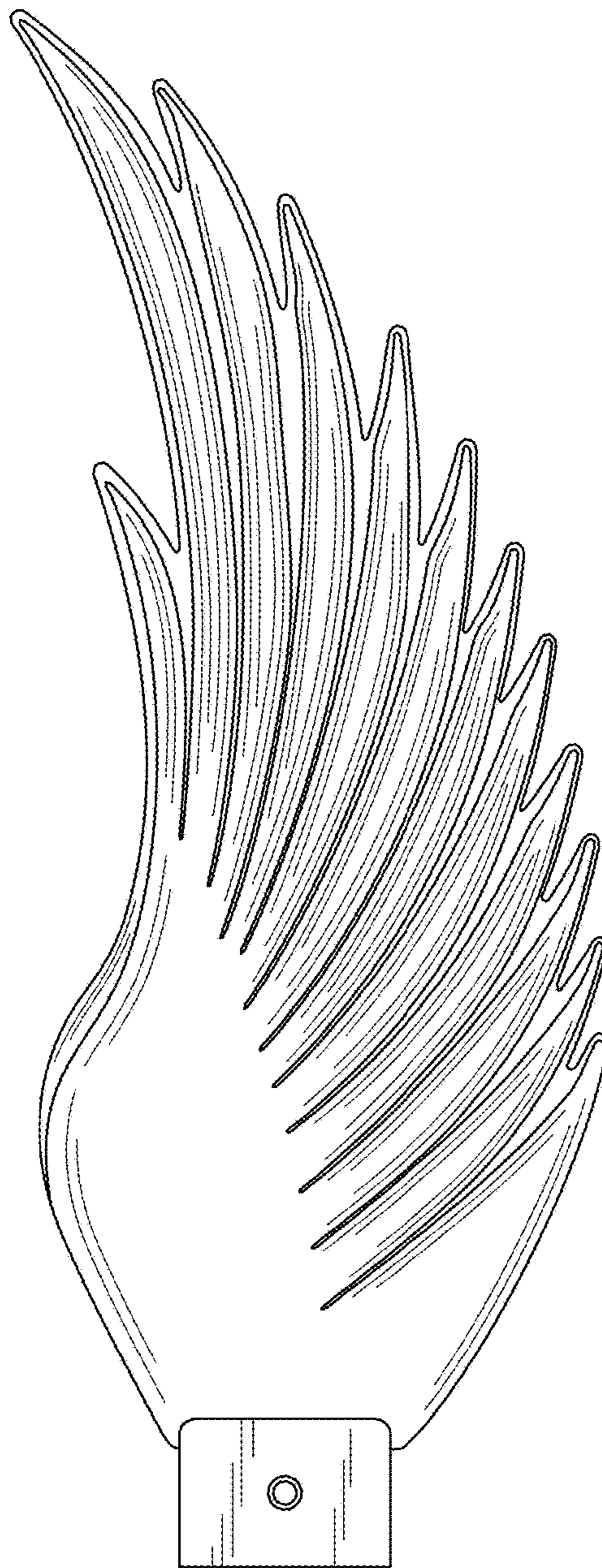


FIG. 3

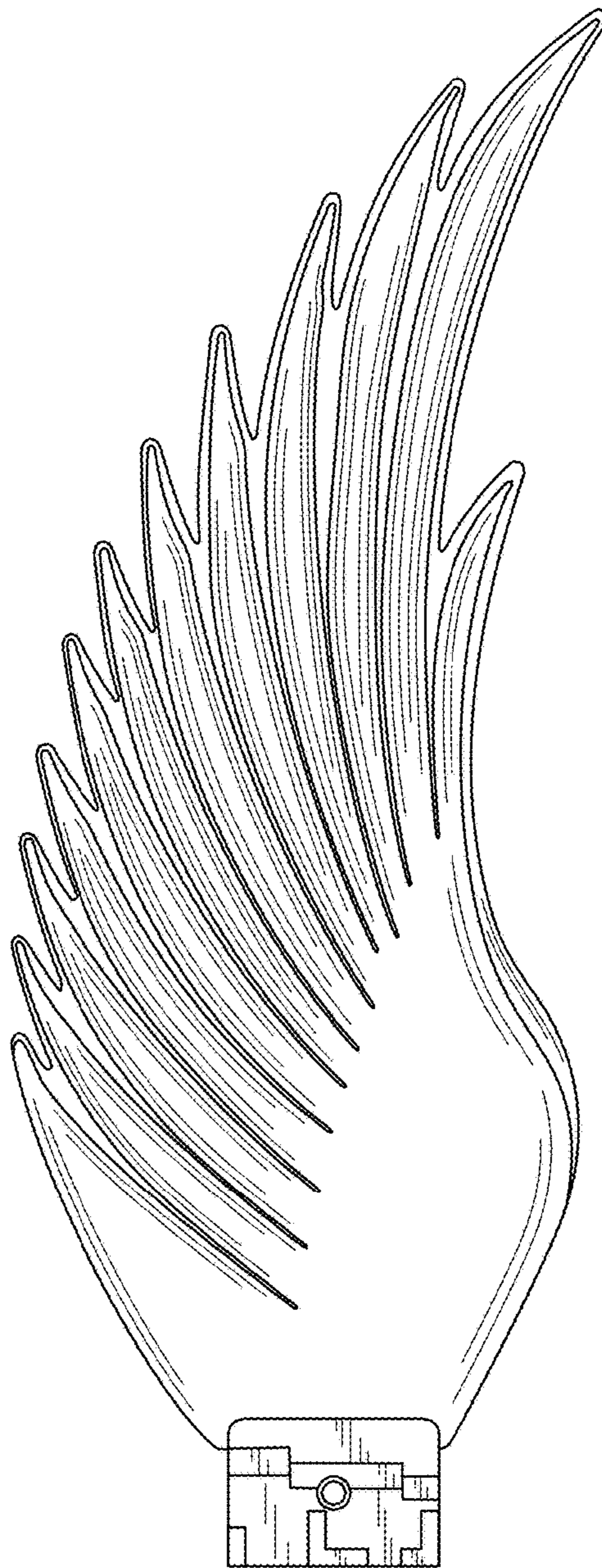


FIG. 4

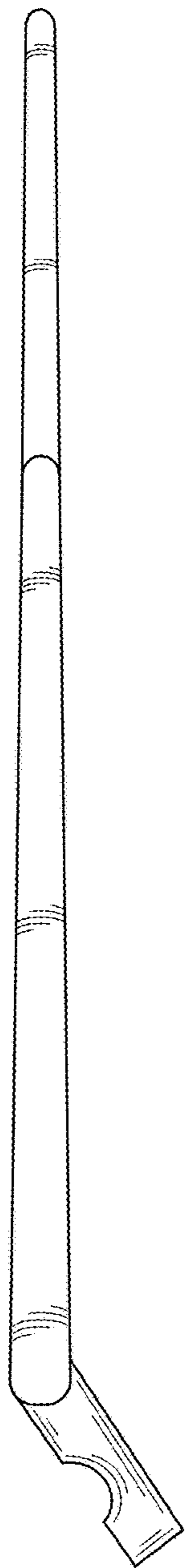


FIG. 5

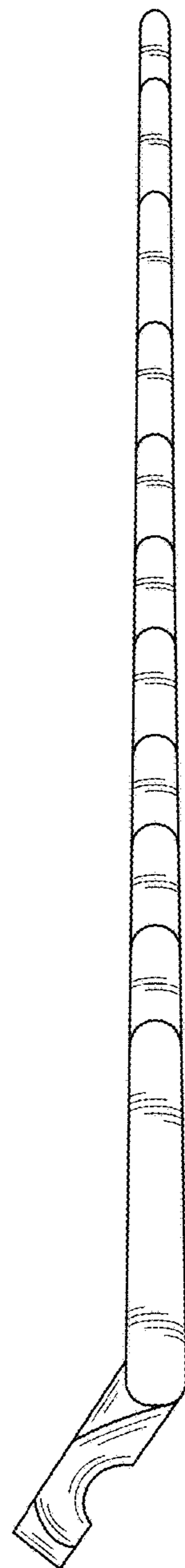


FIG. 6

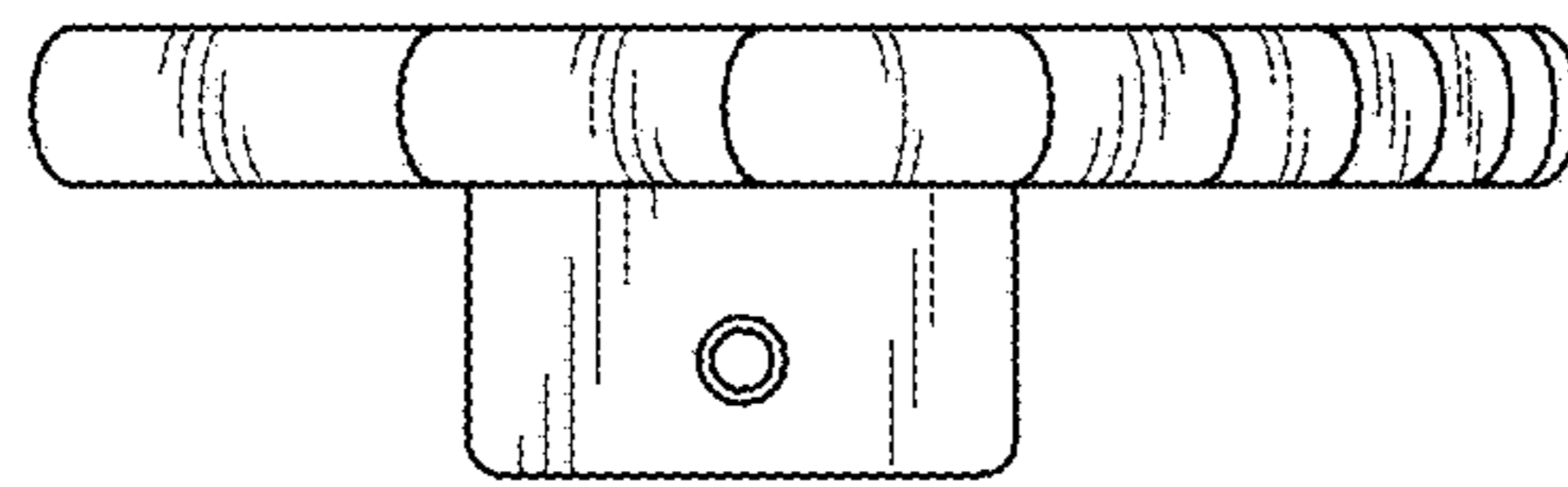


FIG. 7

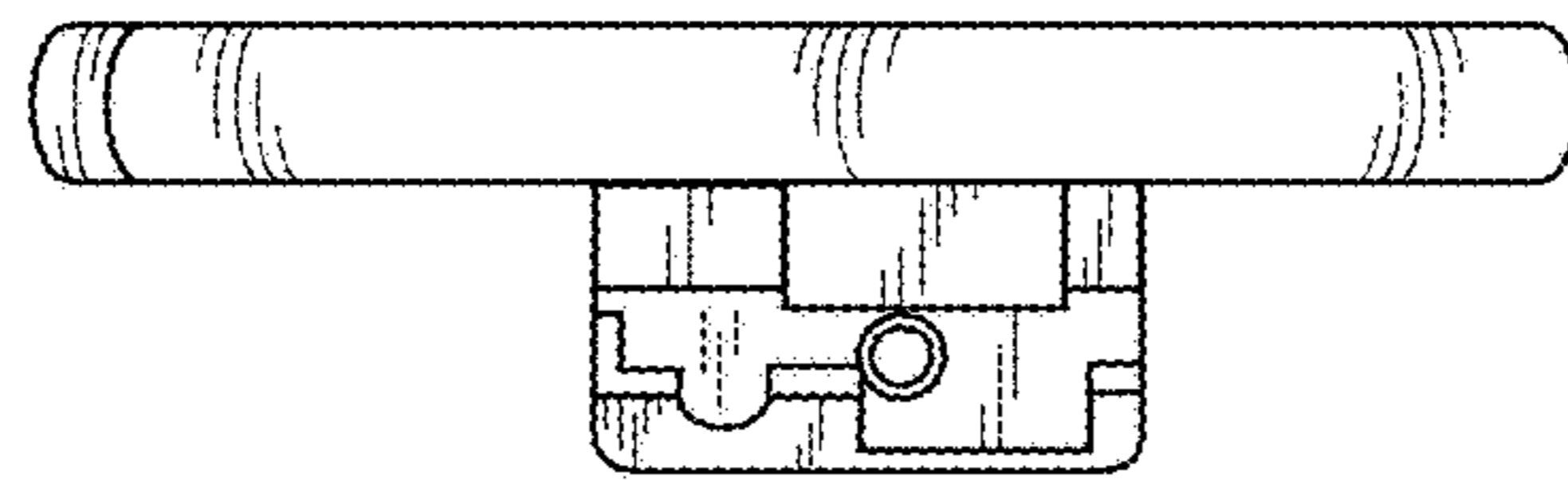


FIG. 8

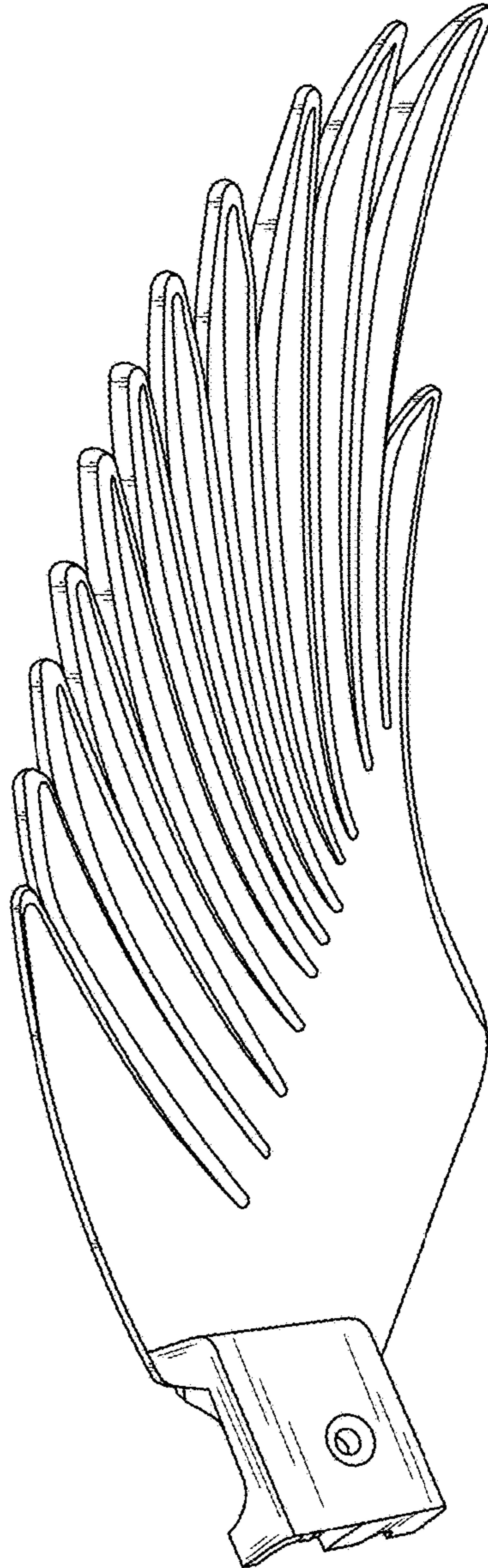


FIG. 9

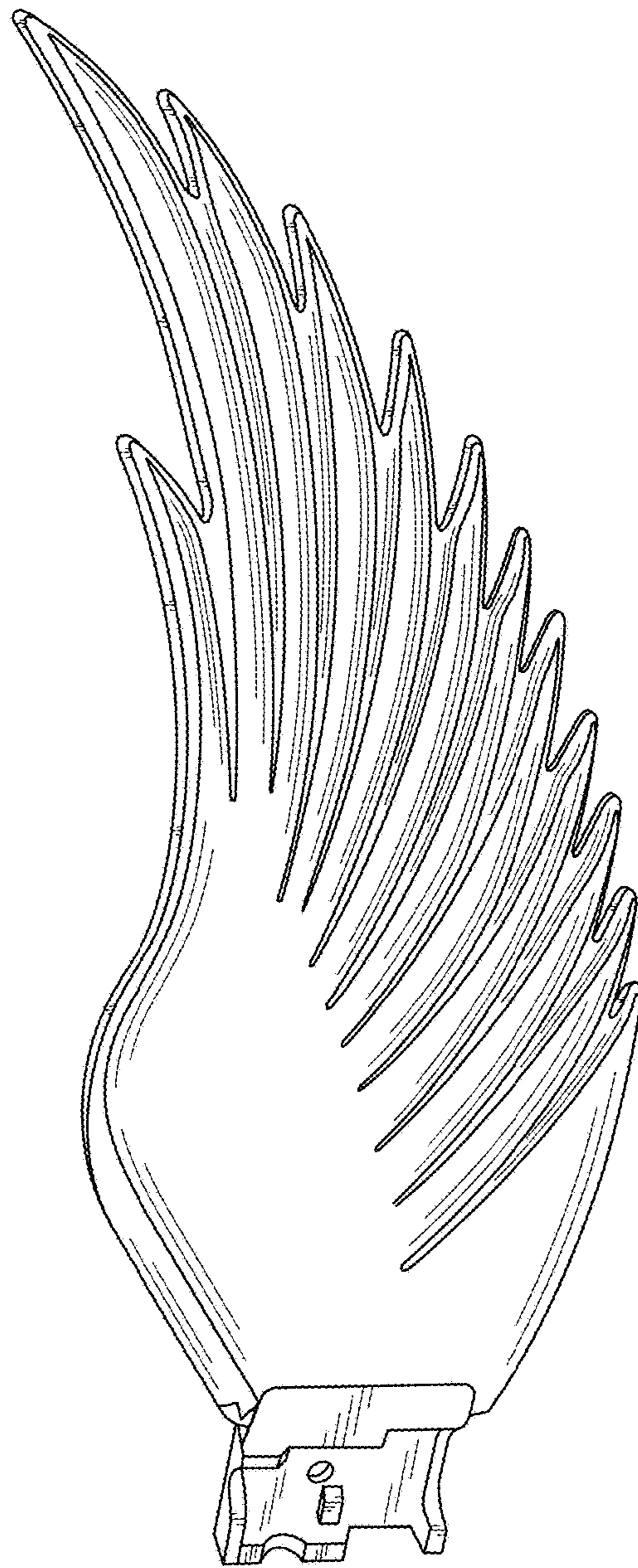


FIG. 10

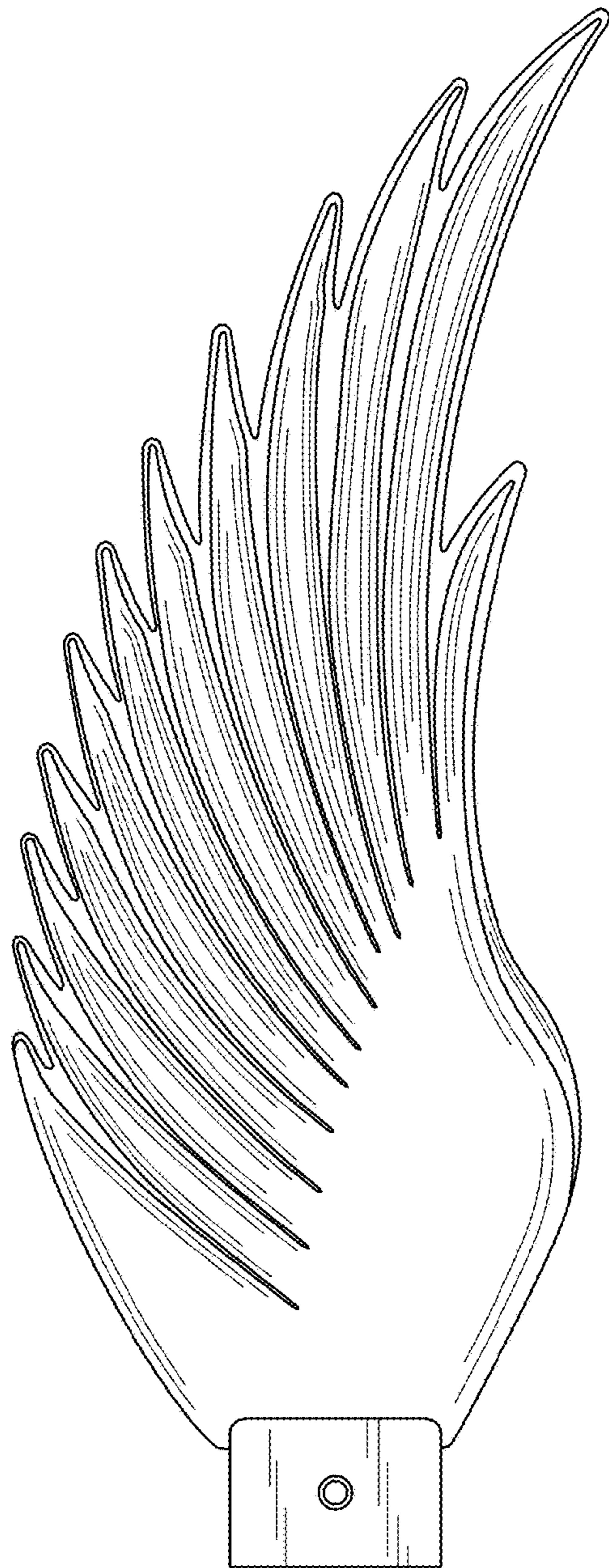


FIG. 11



FIG. 12

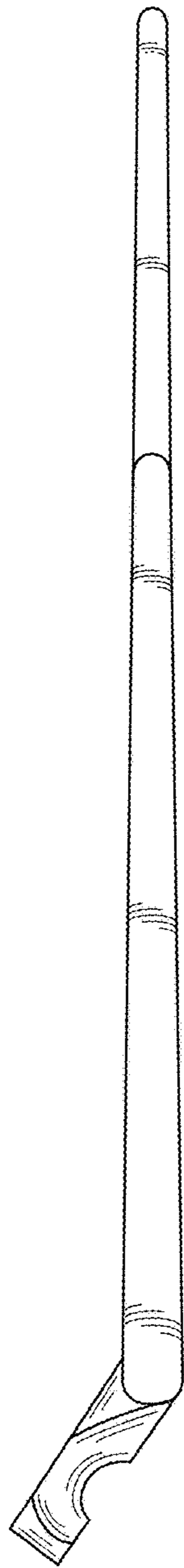


FIG. 13

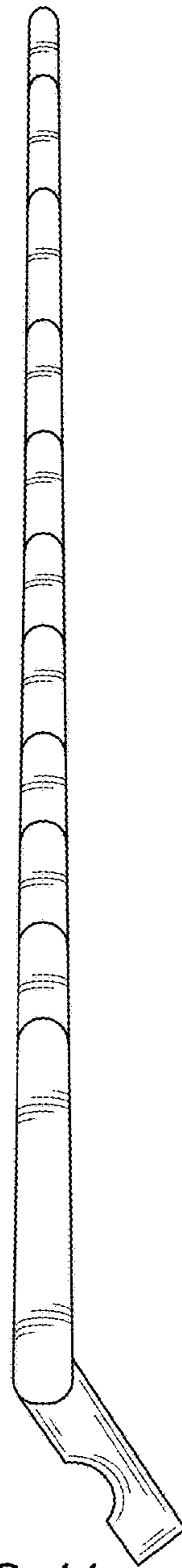


FIG. 14

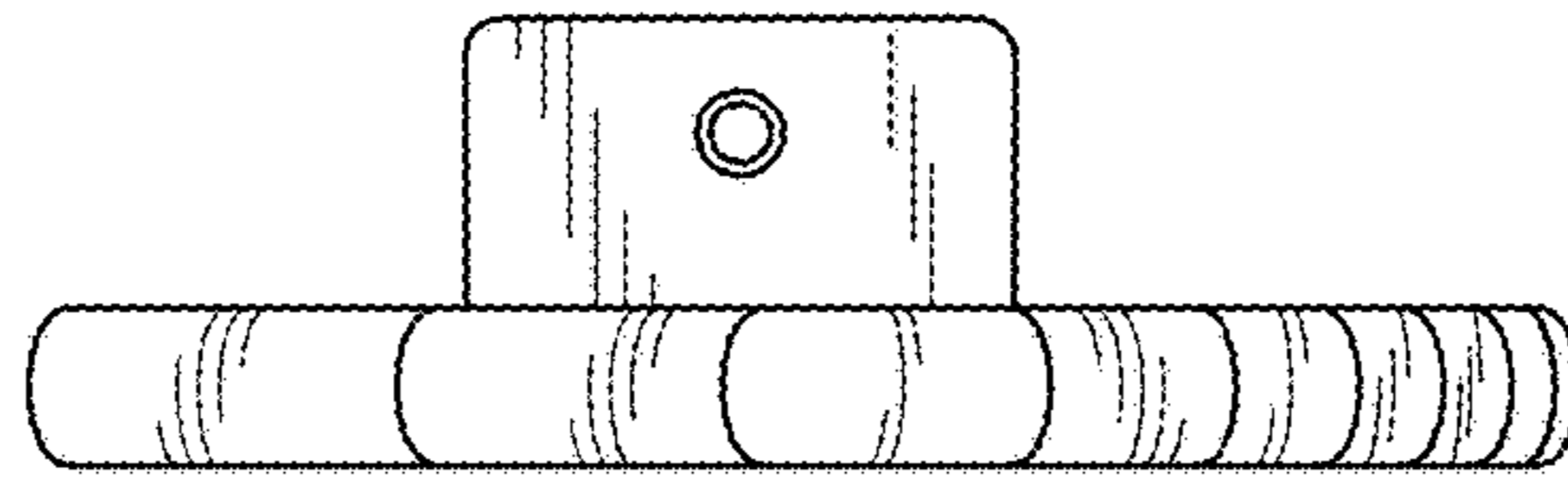


FIG. 15

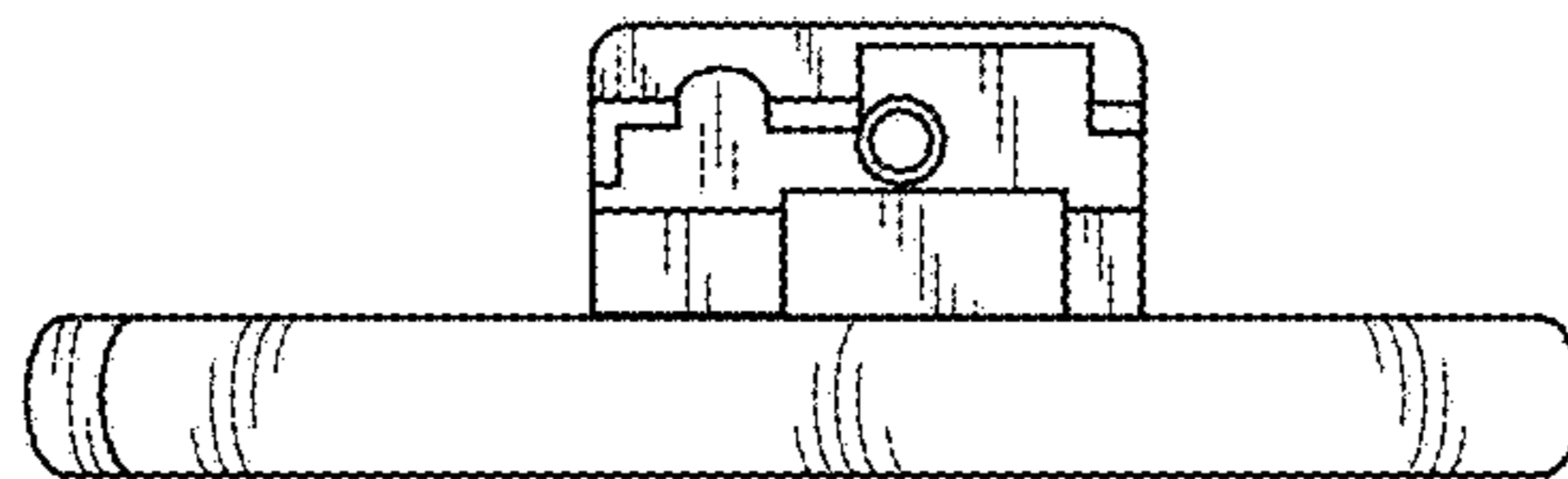


FIG. 16



FIG. 17