



US00D849631S

(12) **United States Design Patent** (10) **Patent No.:** **US D849,631 S**
Oakes (45) **Date of Patent:** **** May 28, 2019**

(54) **GAS CAP GRIP**

(71) Applicant: **Pamela G. B. Oakes**, Fort Myers, FL (US)

(72) Inventor: **Pamela G. B. Oakes**, Fort Myers, FL (US)

(**) Term: **15 Years**

(21) Appl. No.: **29/611,202**

(22) Filed: **Jul. 19, 2017**

Related U.S. Application Data

(63) Continuation of application No. 14/823,530, filed on Aug. 11, 2015, now abandoned.

(51) **LOC (11) Cl.** **12-16**

(52) **U.S. Cl.**
USPC **D12/197**

(58) **Field of Classification Search**
USPC D12/197-201, 110, 114, 218; D15/150; D23/260
CPC B25B 27/0042; B60H 1/34
See application file for complete search history.

(56) **References Cited**

U.S. PATENT DOCUMENTS

- 4,241,729 A * 12/1980 Aoshiro A61B 1/00137 356/241.1
- 5,896,785 A * 4/1999 Shaw B25B 27/0042 81/121.1

- D594,395 S * 6/2009 Yoshii D12/197
- D608,169 S * 1/2010 Johnson D8/21
- D773,972 S * 12/2016 Cloete D12/197
- D806,544 S * 1/2018 Williams D9/445
- D811,303 S * 2/2018 Calfee D12/197
- D813,134 S * 3/2018 Ponticelli, Sr. D12/197
- D816,005 S * 4/2018 Johns D12/197
- 2011/0146452 A1 * 6/2011 Maegli B25B 13/48 81/3.09
- 2016/0067851 A1 * 3/2016 Oakes B25B 27/0042 81/3.4

* cited by examiner

Primary Examiner — Katrina A Betton

(74) *Attorney, Agent, or Firm* — Dunlap Bennett & Ludwig PLLC

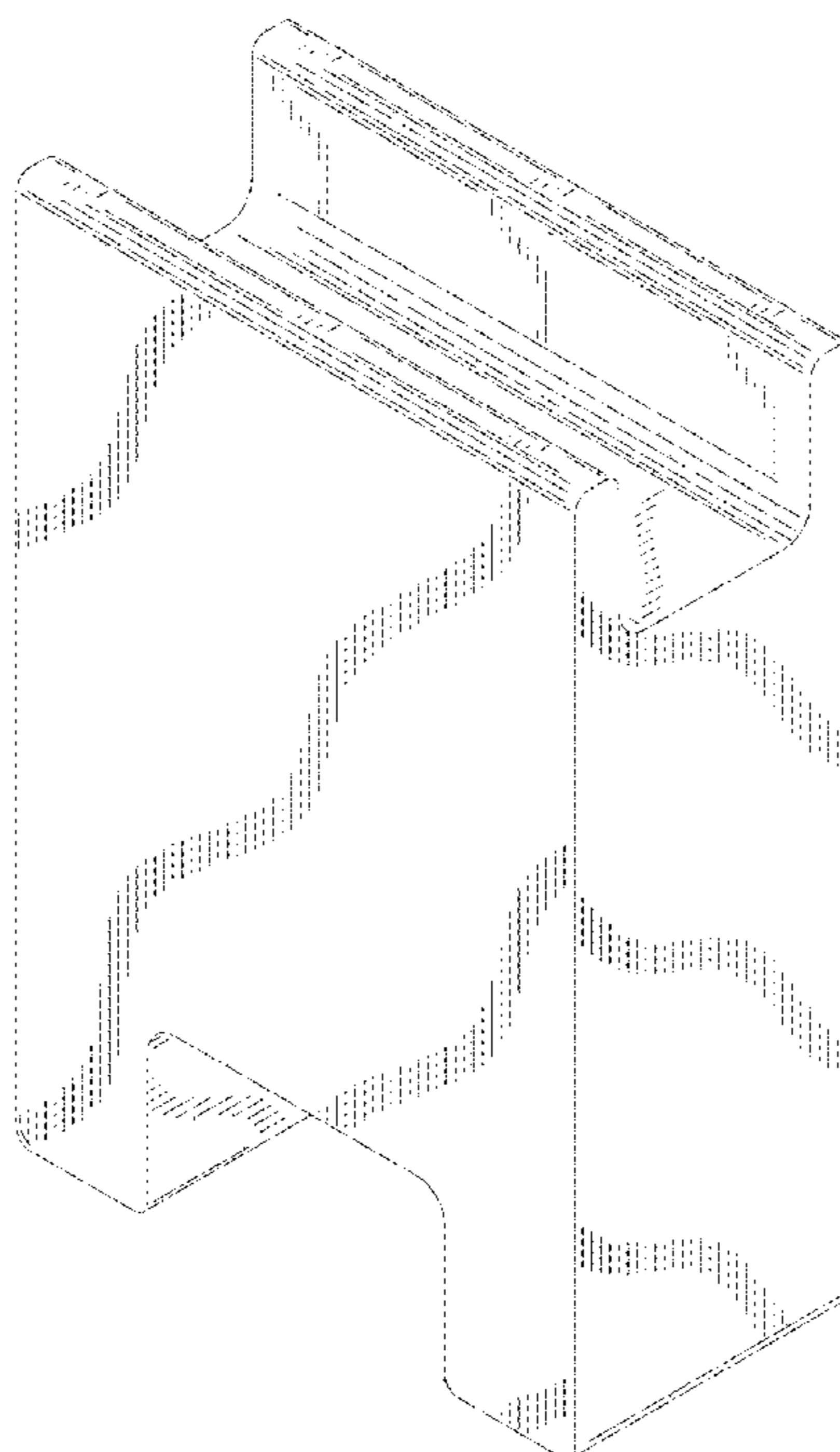
(57) **CLAIM**

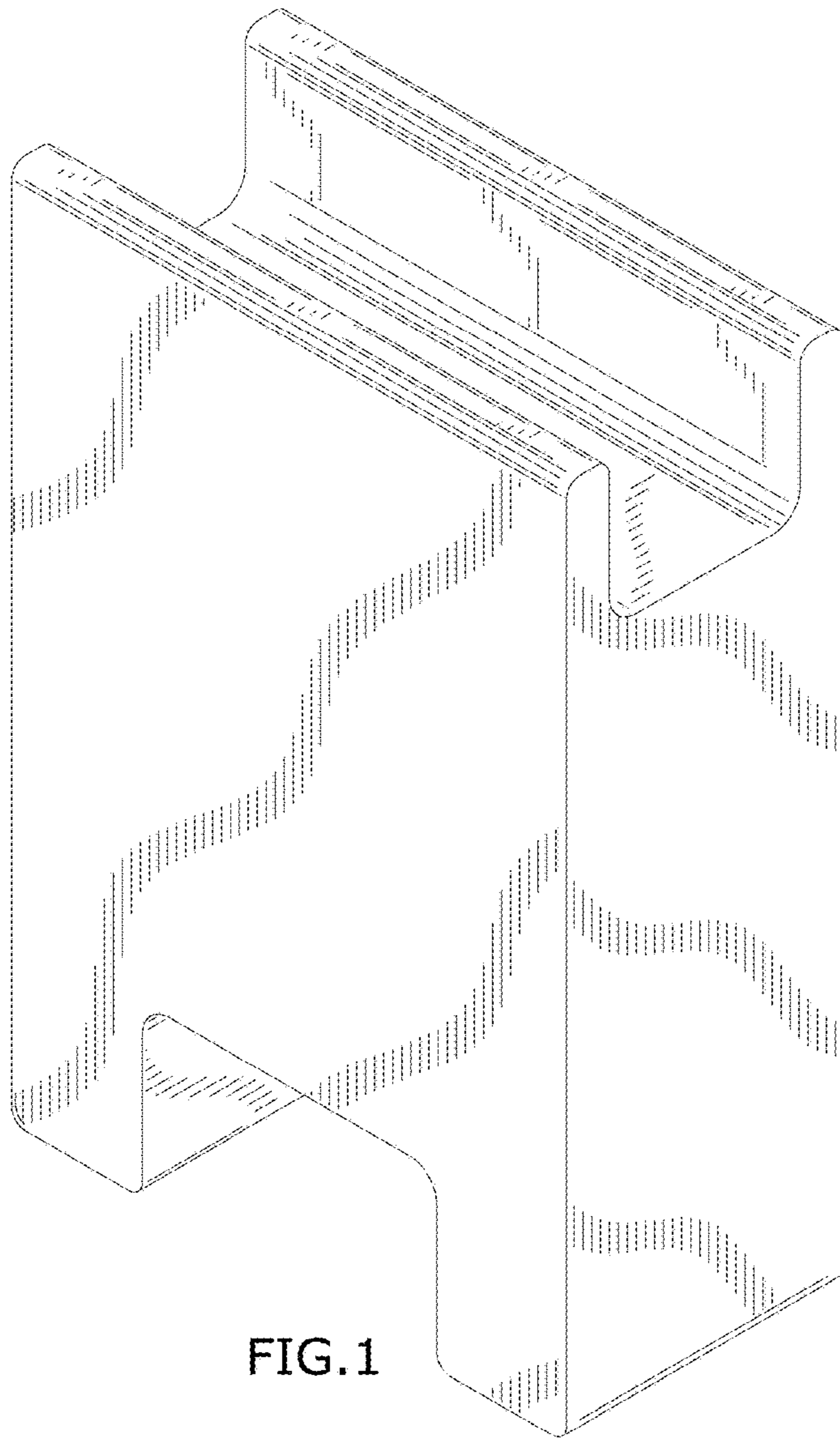
The ornamental design for a gas cap grip, as shown and described.

DESCRIPTION

FIG. 1 is a perspective view of a gas cap grip; FIG. 2 is a front elevation view thereof, the rear elevation view being a mirror image thereof; FIG. 3 is a top elevation view thereof; FIG. 4 is a bottom elevation view thereof; and, FIG. 5 is a right side elevation view thereof, the left side elevation view being a mirror image thereof.

1 Claim, 4 Drawing Sheets





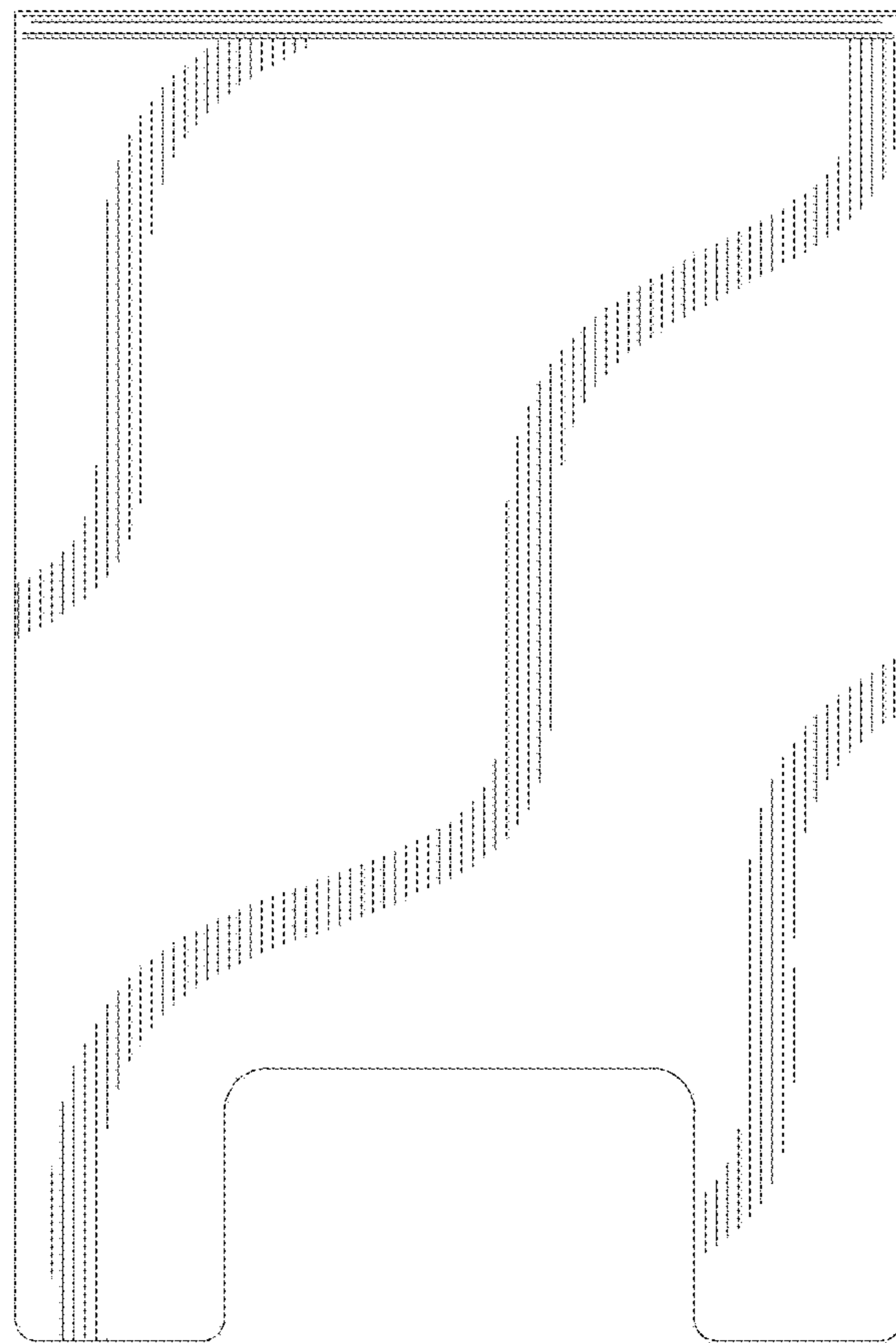


FIG.2

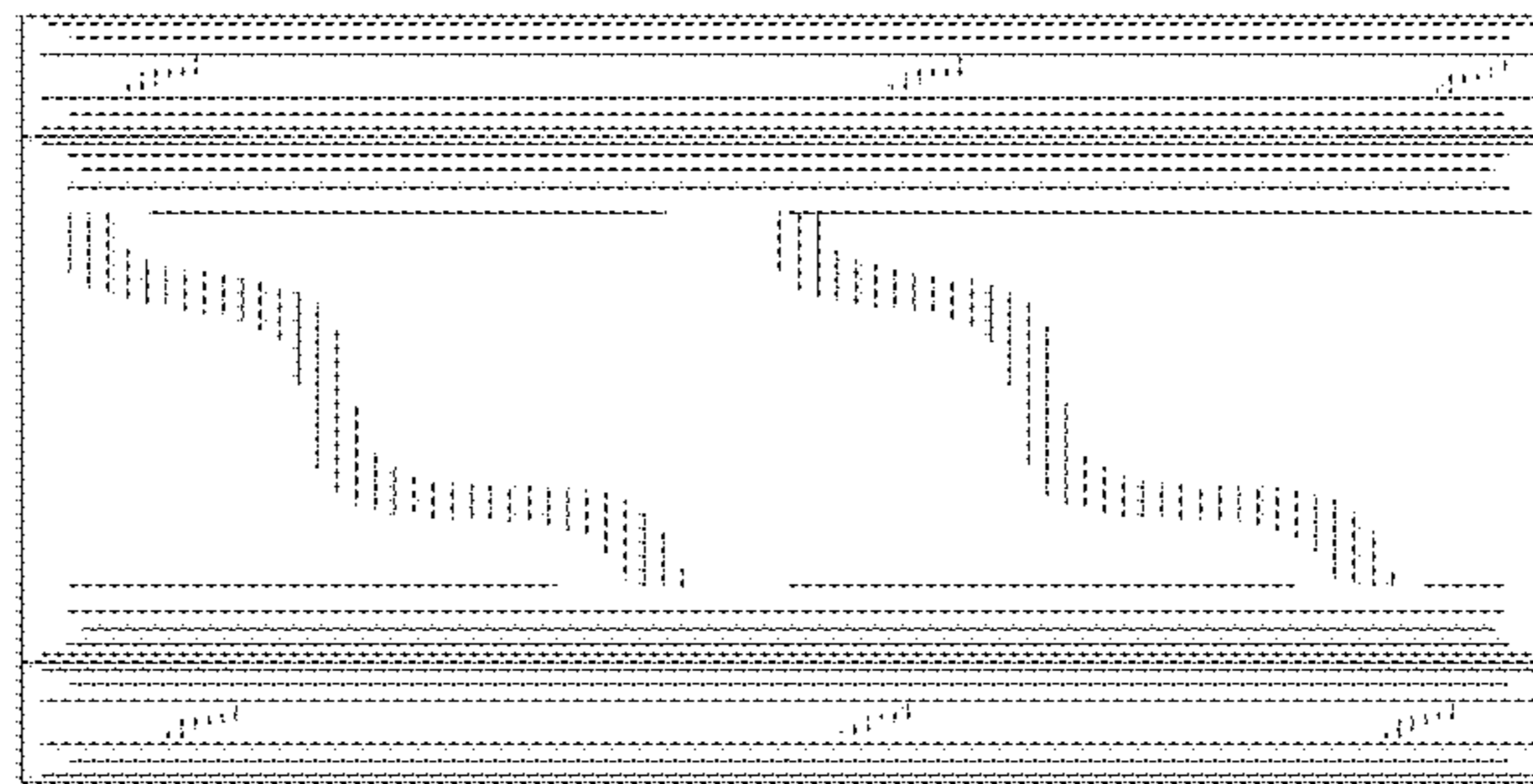


FIG. 3

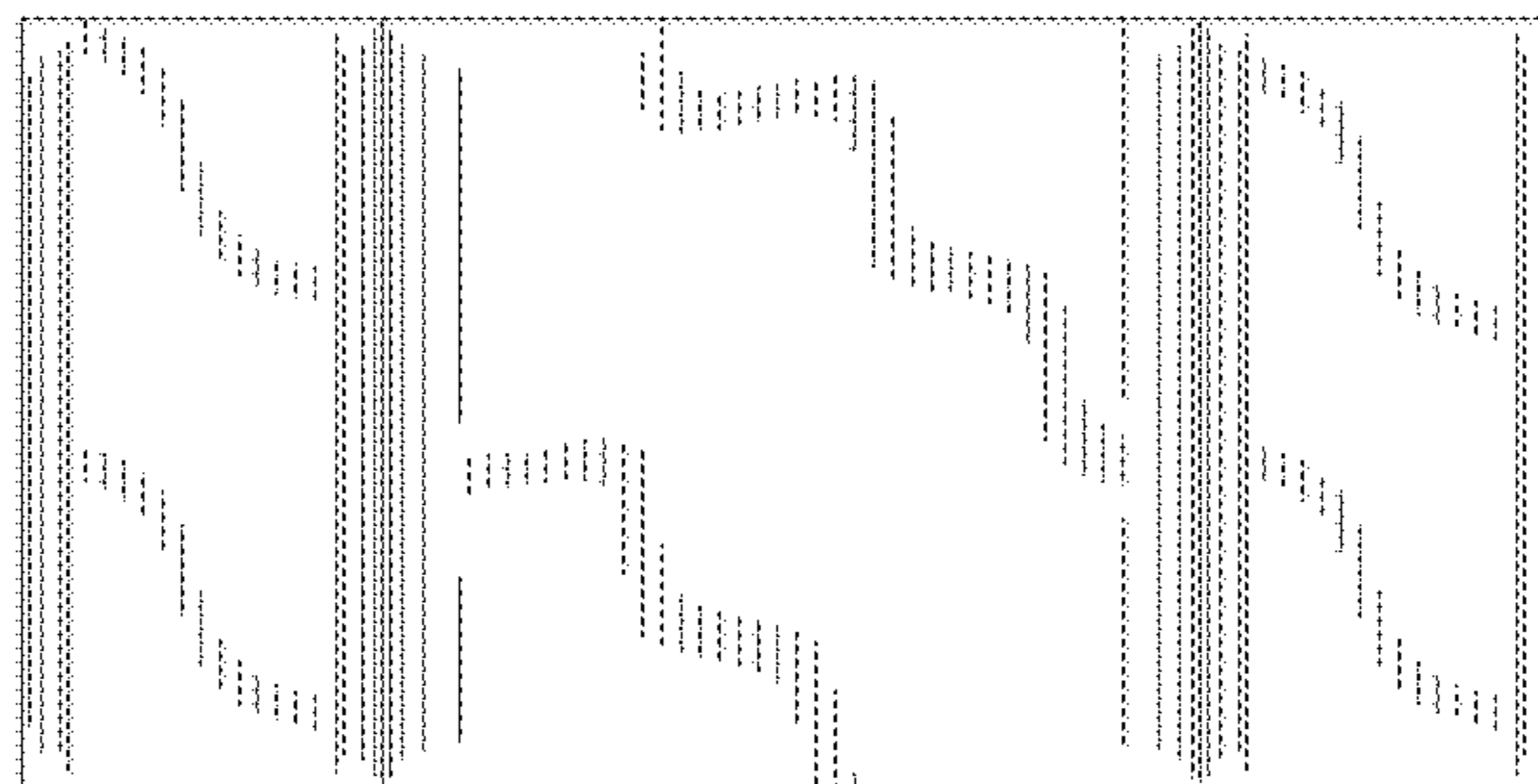


FIG. 4

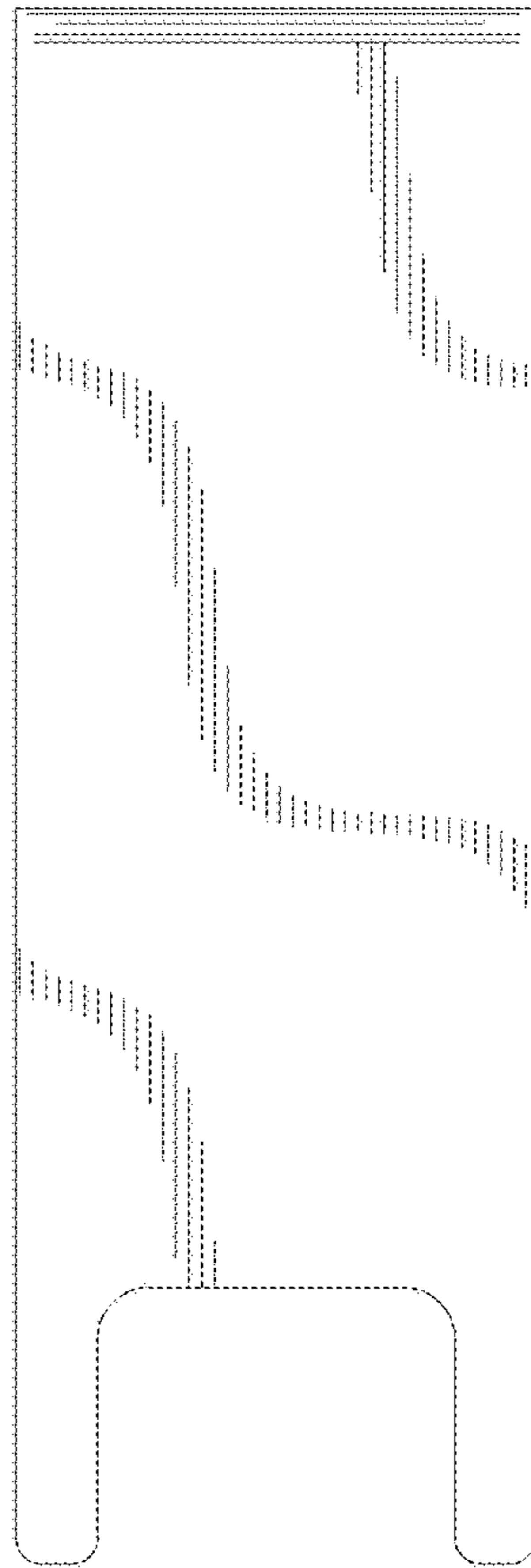


FIG. 5