



US00D849628S

(12) **United States Design Patent** (10) **Patent No.:** **US D849,628 S**
Von Holzhausen et al. (45) **Date of Patent:** **** May 28, 2019**

- (54) **DOOR WITH POCKET**
- (71) Applicant: **Tesla, Inc.**, Palo Alto, CA (US)
- (72) Inventors: **Franz Von Holzhausen**, Malibu, CA (US); **Ivan Lampkin**, Redondo Beach, CA (US); **Pascal Grappey**, Rancho Palos Verdes, CA (US)
- (73) Assignee: **Tesla, Inc.**, Palo Alto, CA (US)
- (**) Term: **15 Years**
- (21) Appl. No.: **29/619,061**
- (22) Filed: **Sep. 26, 2017**
- (51) **LOC (11) Cl.** **12-16**
- (52) **U.S. Cl.**
USPC **D12/196**
- (58) **Field of Classification Search**
USPC D12/190, 193, 195, 196, 414
CPC E05B 81/56; E05B 81/80; E05B 65/00;
E05B 65/06; E05B 65/10; E05B 65/12;
E05B 79/06; B60J 5/04
See application file for complete search history.

(56) **References Cited**

U.S. PATENT DOCUMENTS

4,728,143	A *	3/1988	Tanino	B60J 5/04 296/146.7
5,902,004	A *	5/1999	Waltz	B60J 5/0416 296/146.9
7,380,864	B2 *	6/2008	Guanzon	E05B 79/06 16/412
7,530,610	B2 *	5/2009	Tanimoto	E05B 79/06 292/336.3
7,938,472	B2 *	5/2011	Stalhammar	B60J 5/0416 296/146.5
8,020,921	B2 *	9/2011	Moberg	B60J 5/04 296/146.7
8,451,087	B2 *	5/2013	Krishnan	B60J 5/04 292/221

8,579,339	B2 *	11/2013	Abe	E05B 77/44 292/216
D715,204	S *	10/2014	Peltola	D12/195
D716,210	S *	10/2014	Ishikawa	D12/195
D719,884	S *	12/2014	Peltola	D12/195
D722,933	S *	2/2015	Ishikawa	D12/195
9,290,971	B2 *	3/2016	Amagai	E05B 79/20
D758,269	S *	6/2016	Ahn	D12/195
D766,791	S *	9/2016	Buffery	D12/195
D766,792	S *	9/2016	Shimizu	D12/195
D768,042	S *	10/2016	Lee	D12/195
9,469,246	B1 *	10/2016	Gold	B60J 5/04
9,517,727	B2 *	12/2016	Tiboni	B60R 13/0243
D801,899	S *	11/2017	Watkin	D12/195

(Continued)

Primary Examiner — Susan Bennett Hattan

Assistant Examiner — Suzanne E Tisdell

(74) *Attorney, Agent, or Firm* — Haynes and Boone, LLP

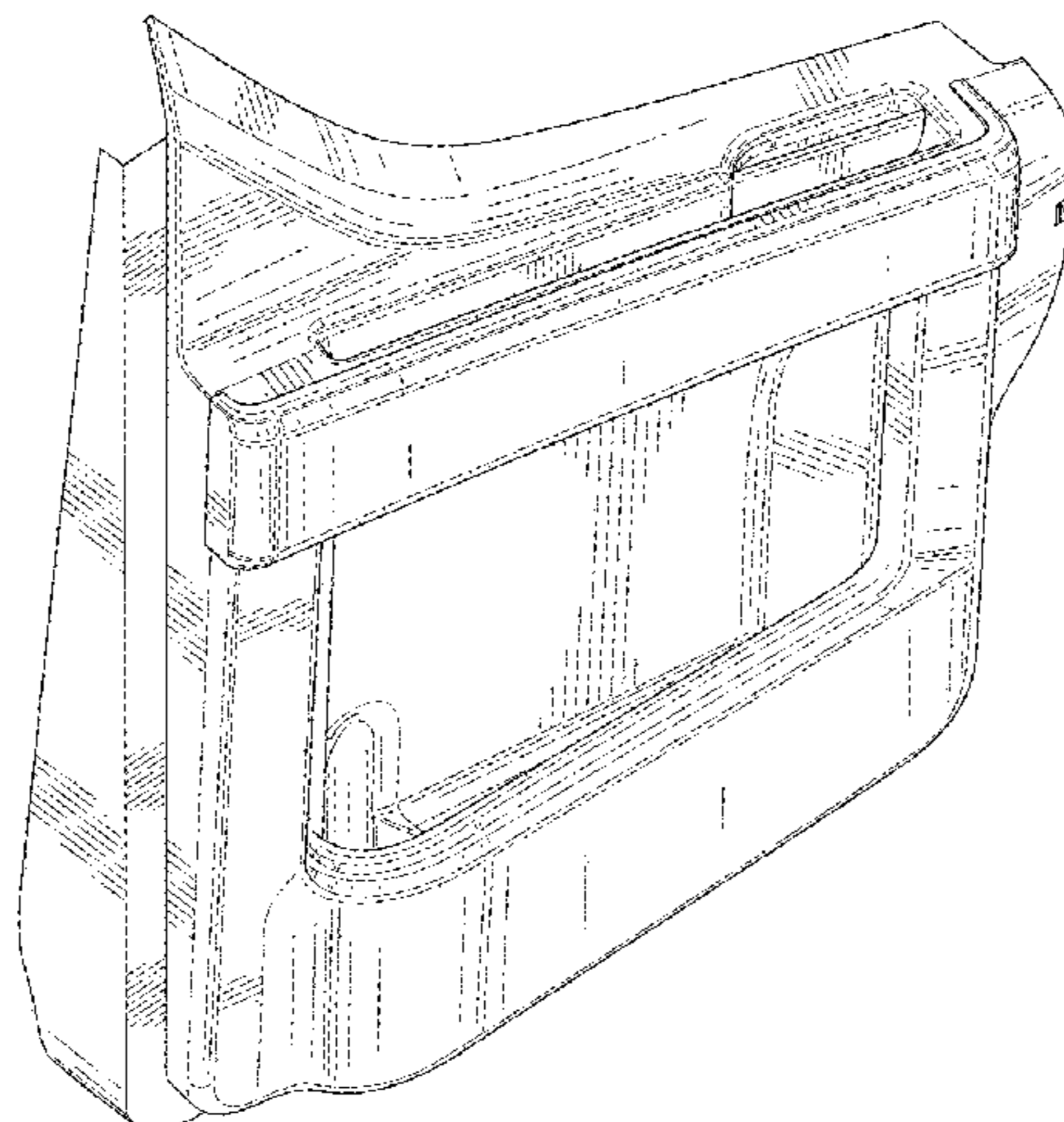
(57) **CLAIM**

The ornamental design for a door with pocket, as shown and described.

DESCRIPTION

FIG. 1 is a perspective view of a door with pocket.
 FIG. 2 is a front elevational view of the door with pocket of FIG. 1.
 FIG. 3 is a back elevational view of the door with pocket of FIG. 1.
 FIG. 4 is a side elevational view of the door with pocket of FIG. 1.
 FIG. 5 is a side elevational view of the door with pocket of FIG. 1 from the opposite side from FIG. 4.
 FIG. 6 is a top plan view of the door with pocket of FIG. 1; and,
 FIG. 7 is a bottom plan view of the door with pocket of FIG. 1.
 The items shown with broken lines form no part of the claimed design.

1 Claim, 5 Drawing Sheets



(56)

References Cited

U.S. PATENT DOCUMENTS

D807,267 S	*	1/2018	Higashimori	D12/195
D816,571 S	*	5/2018	Wiedeman	D12/195
D823,760 S	*	7/2018	Sato	D12/195
D831,552 S	*	10/2018	Watkin	D12/195
D835,555 S	*	12/2018	Ray	D12/195
D835,556 S	*	12/2018	Ray	D12/195

* cited by examiner

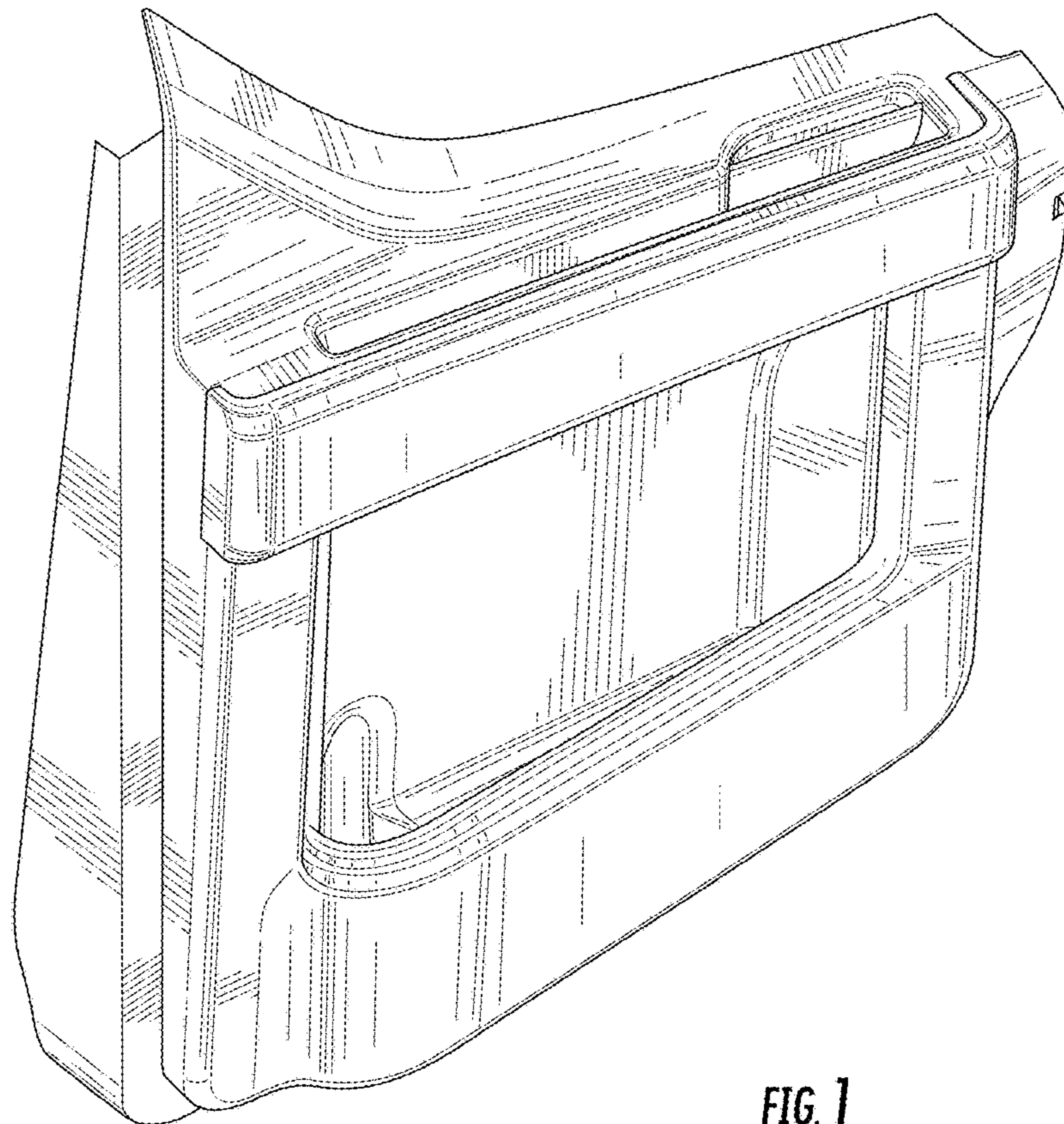


FIG. 1

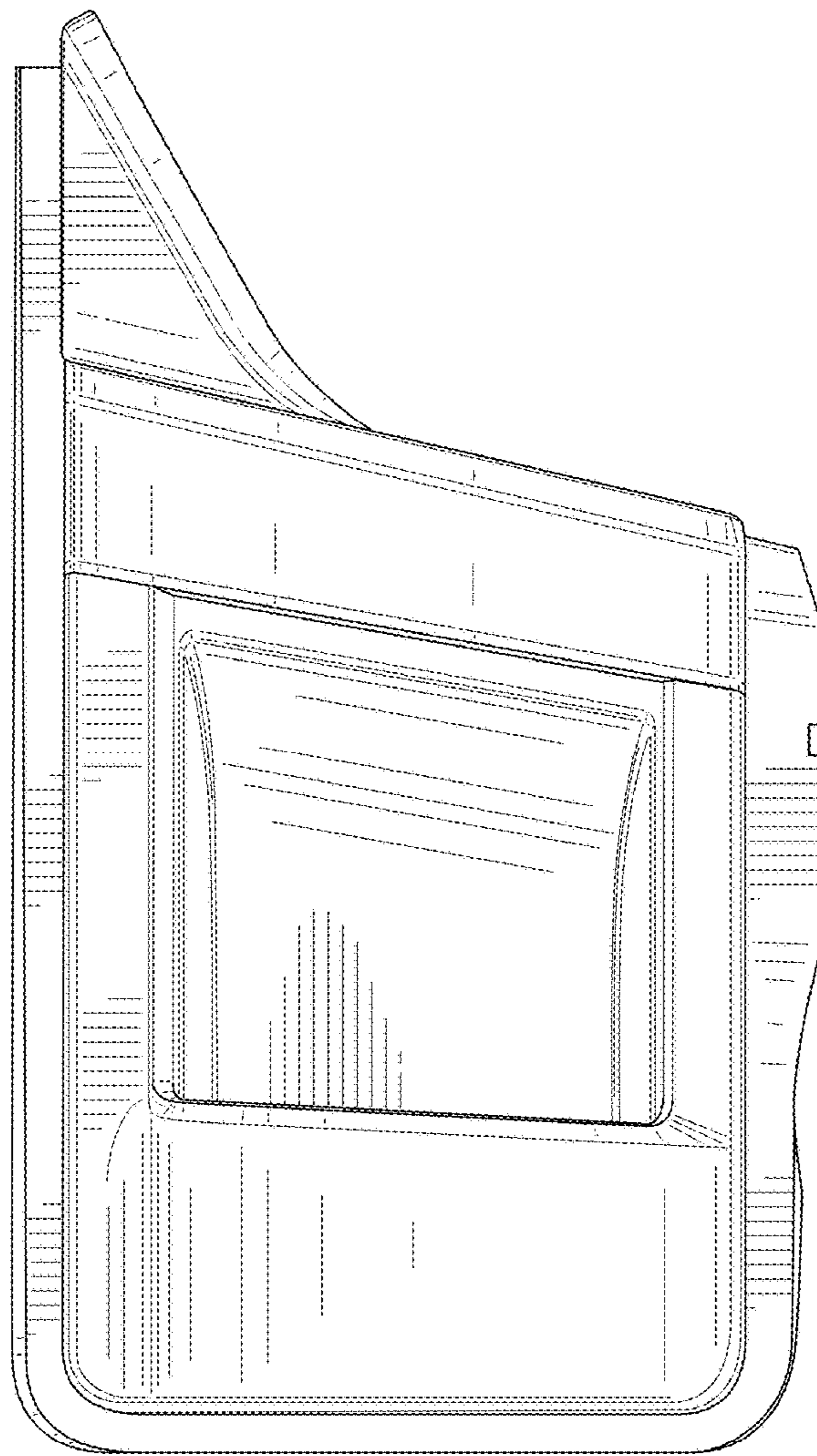


FIG. 2

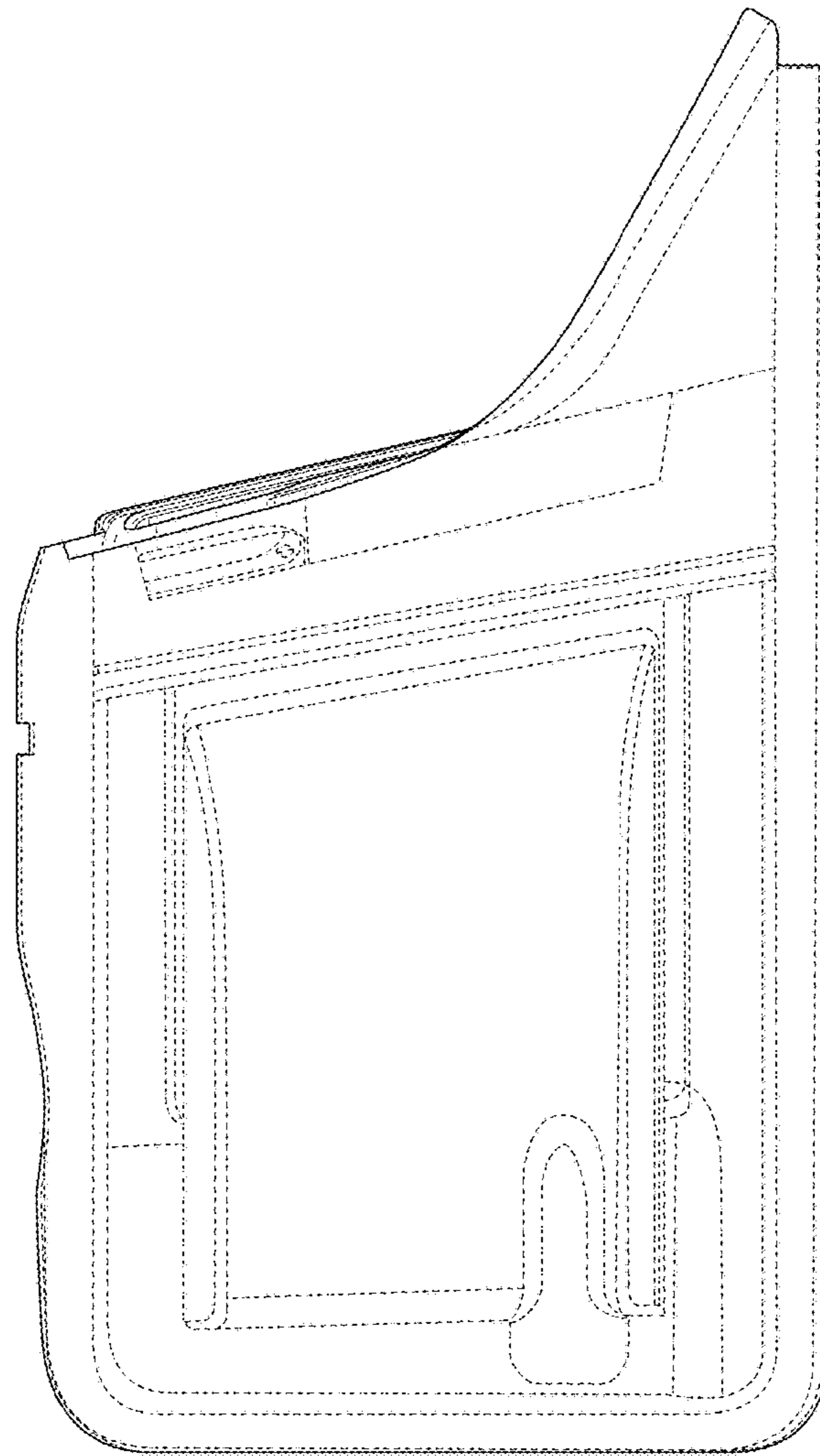


FIG. 3

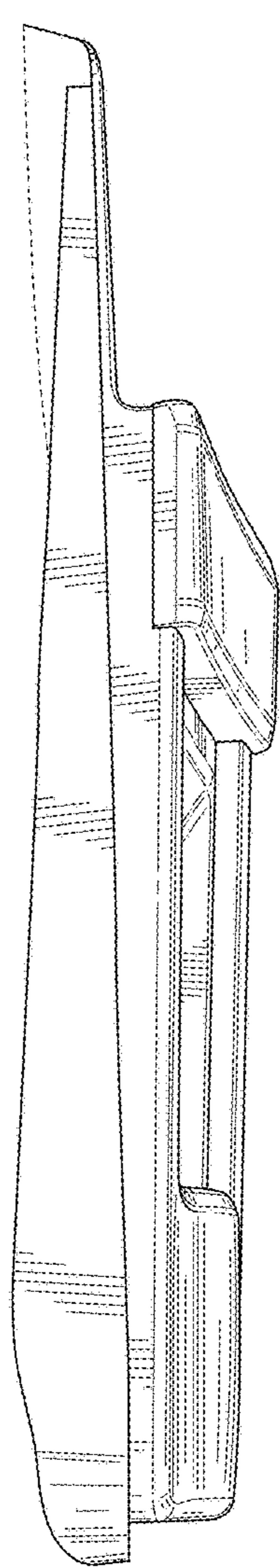


FIG. 4

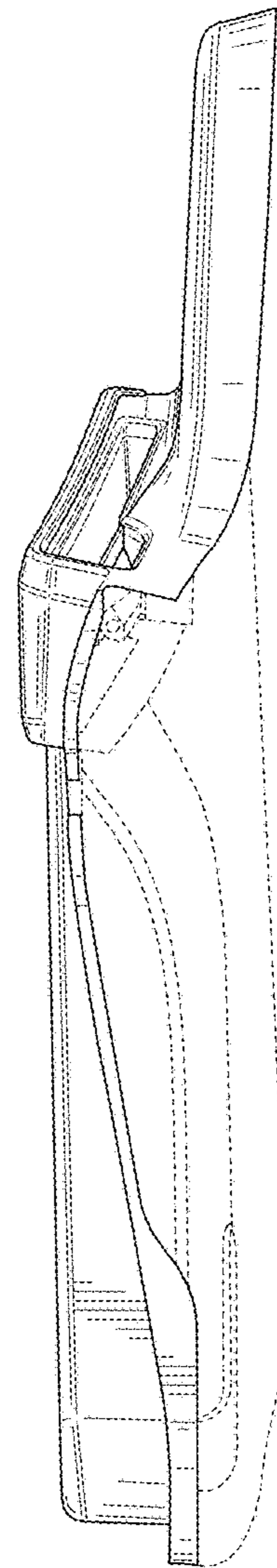


FIG. 5

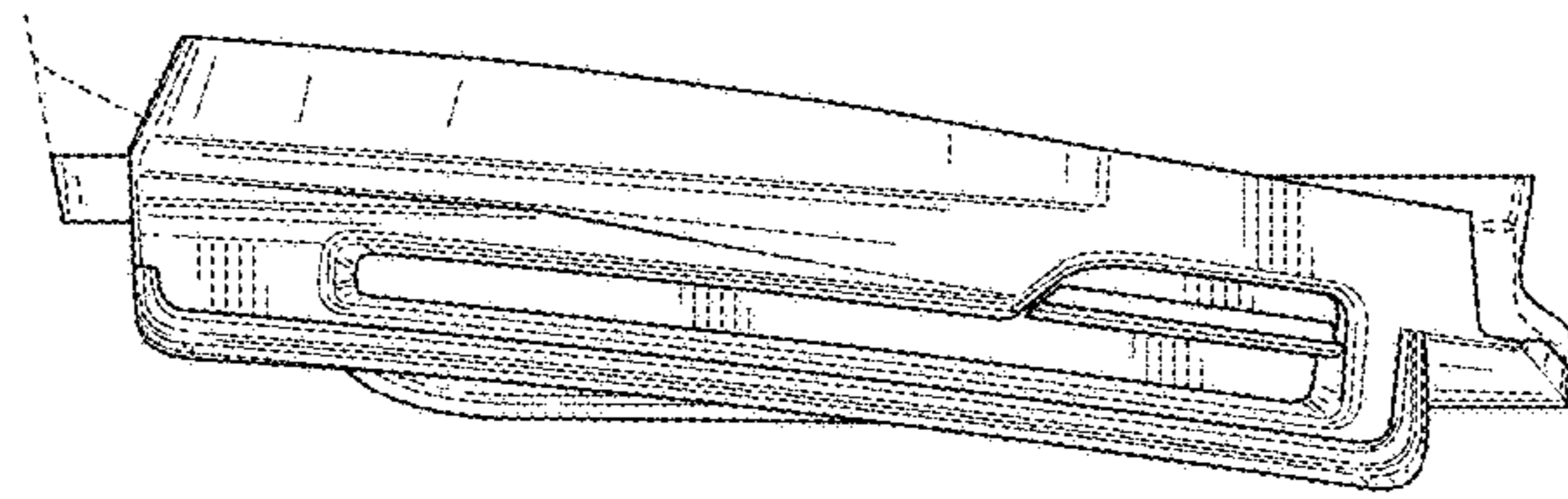


FIG. 6

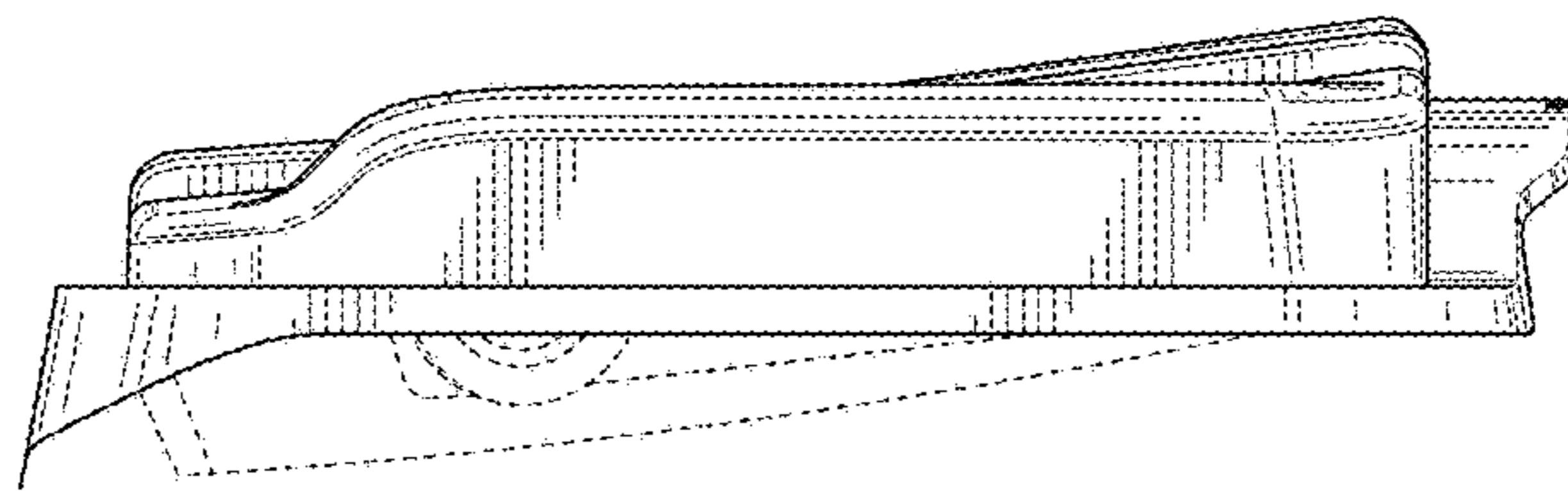


FIG. 7