



US00D849626S

(12) **United States Design Patent**
Hawkins et al.

(10) **Patent No.:** **US D849,626 S**
(45) **Date of Patent:** **** May 28, 2019**

- (54) **AUTOMOBILE INTERIOR**
- (71) Applicant: **Aria Group, Inc.**, Irvine, CA (US)
- (72) Inventors: **Clive Hawkins**, Irvine, CA (US);
Nicholas David, Irvine, CA (US)
- (73) Assignee: **Aria Group, Inc.**, Irvine, CA (US)
- (**) Term: **15 Years**
- (21) Appl. No.: **29/641,755**
- (22) Filed: **Mar. 23, 2018**
- (51) **LOC (11) Cl.** **12-08**
- (52) **U.S. Cl.**
USPC **D12/195**
- (58) **Field of Classification Search**
USPC D12/195, 193, 414, 190, 196; D15/17,
D15/28; D10/46, 98, 102-103;
D8/302-303
CPC B60J 5/04
See application file for complete search history.

- D796,403 S * 9/2017 Ahn D12/195
- D812,538 S * 3/2018 Lokers D12/195
- D818,921 S * 5/2018 Pelletier D12/195
- D822,397 S * 7/2018 Waterhouse D6/356

* cited by examiner

Primary Examiner — Katrina A Betton

(74) *Attorney, Agent, or Firm* — Martin & Ferraro, LLP

(57) **CLAIM**

The ornamental design for an automobile interior, as shown and described.

DESCRIPTION

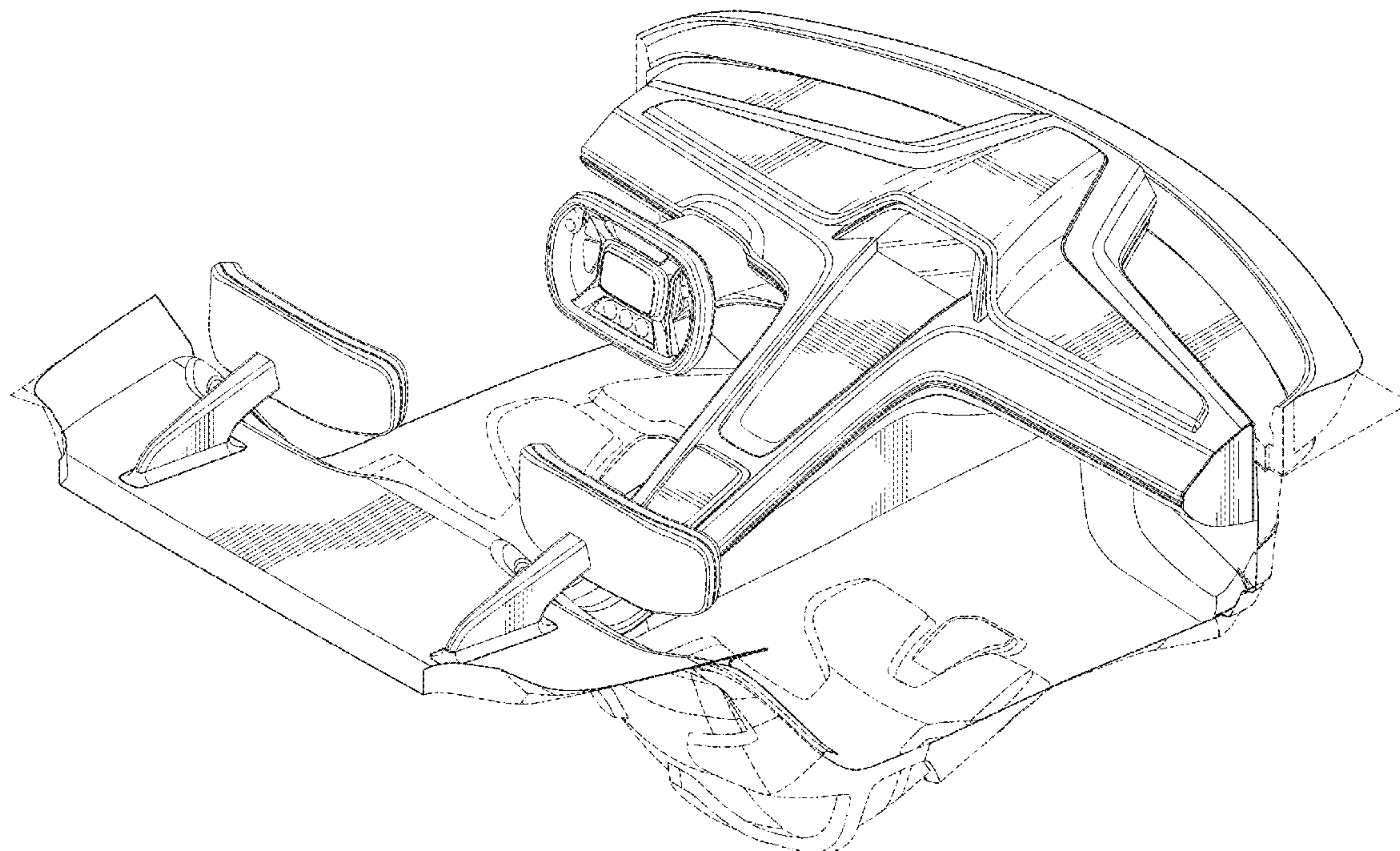
FIG. 1 is a top, front, left side perspective view of an automobile interior, showing our new design;
 FIG. 2 is a top, rear, right side perspective view of the automobile interior of FIG. 1;
 FIG. 3 is a top, front, right side perspective view of the automobile interior of FIG. 1;
 FIG. 4 is a top, rear, left side perspective view of the automobile interior of FIG. 1;
 FIG. 5 is a top plan view of the automobile interior of FIG. 1;
 FIG. 6 is a left side elevational view of the automobile interior of FIG. 1; and,
 FIG. 7 is a right side elevational view of the automobile interior of FIG. 1, the bottom being unornamented and not shown.
 The broken line portions show unclaimed subject matter only and form no part of the claimed design.

1 Claim, 7 Drawing Sheets

(56) **References Cited**

U.S. PATENT DOCUMENTS

- D666,544 S * 9/2012 Tsay D12/195
- D764,991 S * 8/2016 Woodhouse D12/195
- D766,790 S * 9/2016 Sethapun D12/195
- D770,349 S * 11/2016 Ahn D12/195
- D788,000 S * 5/2017 Lefranc D12/195
- D793,315 S * 8/2017 Niemiec D12/195



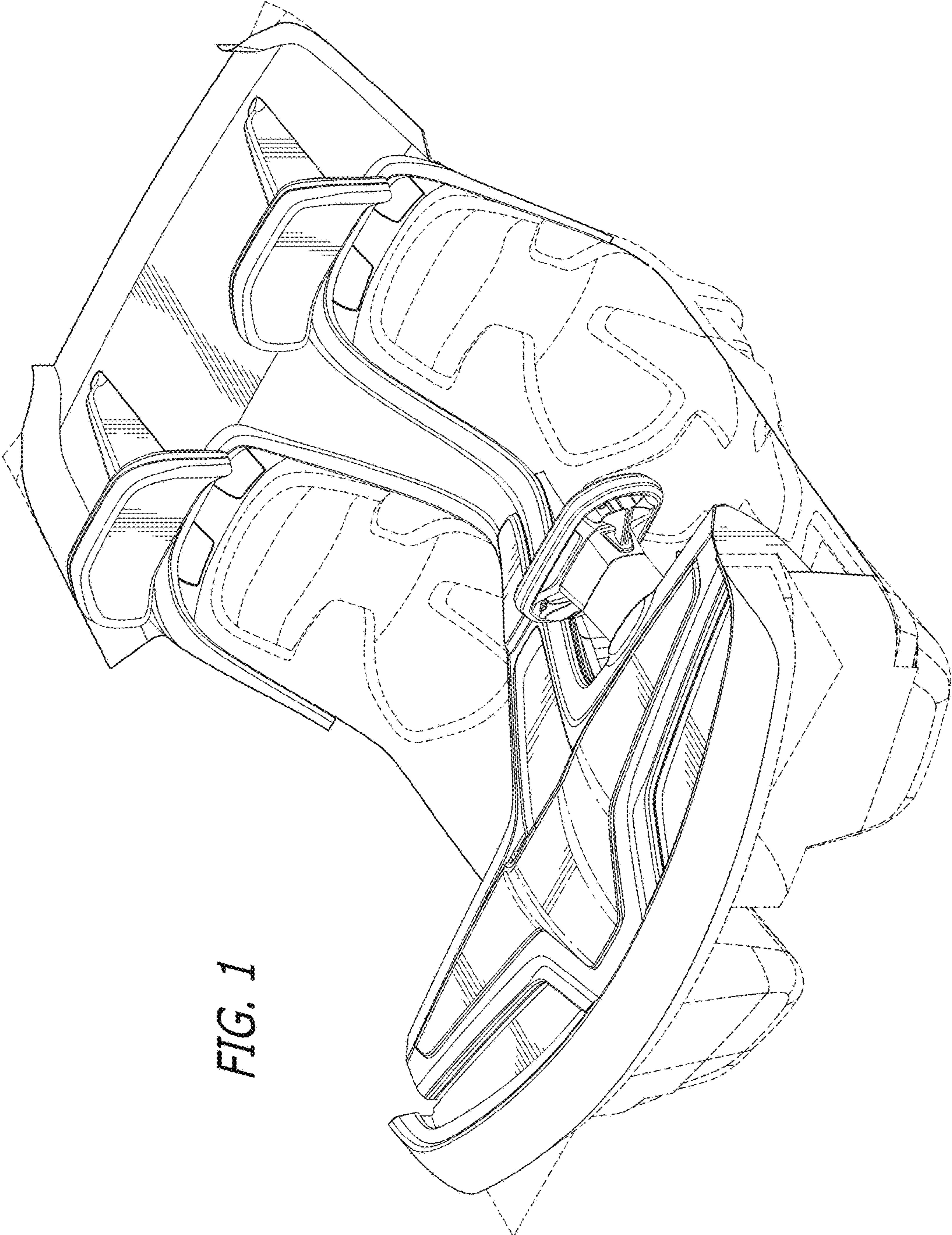


FIG. 1

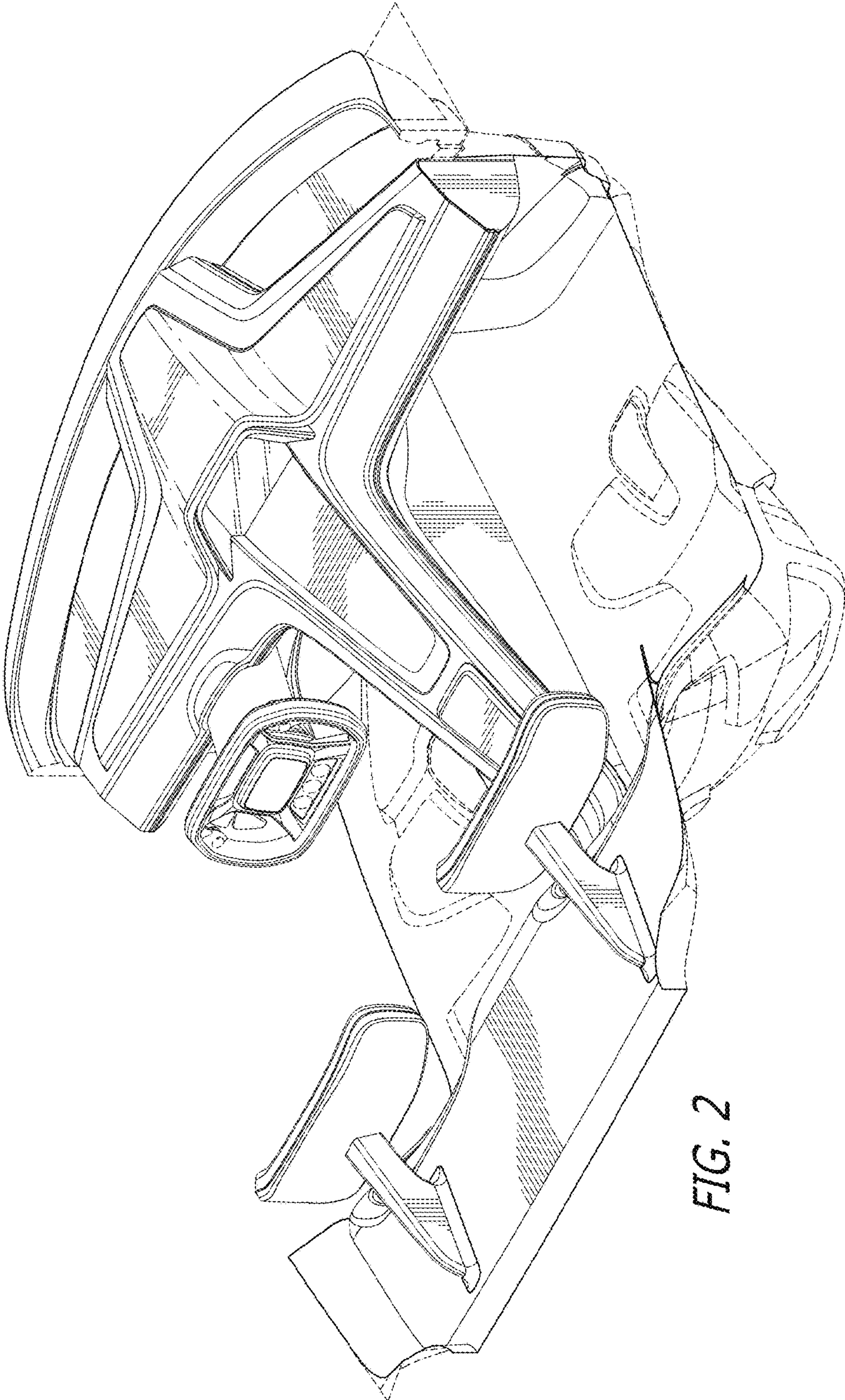


FIG. 2

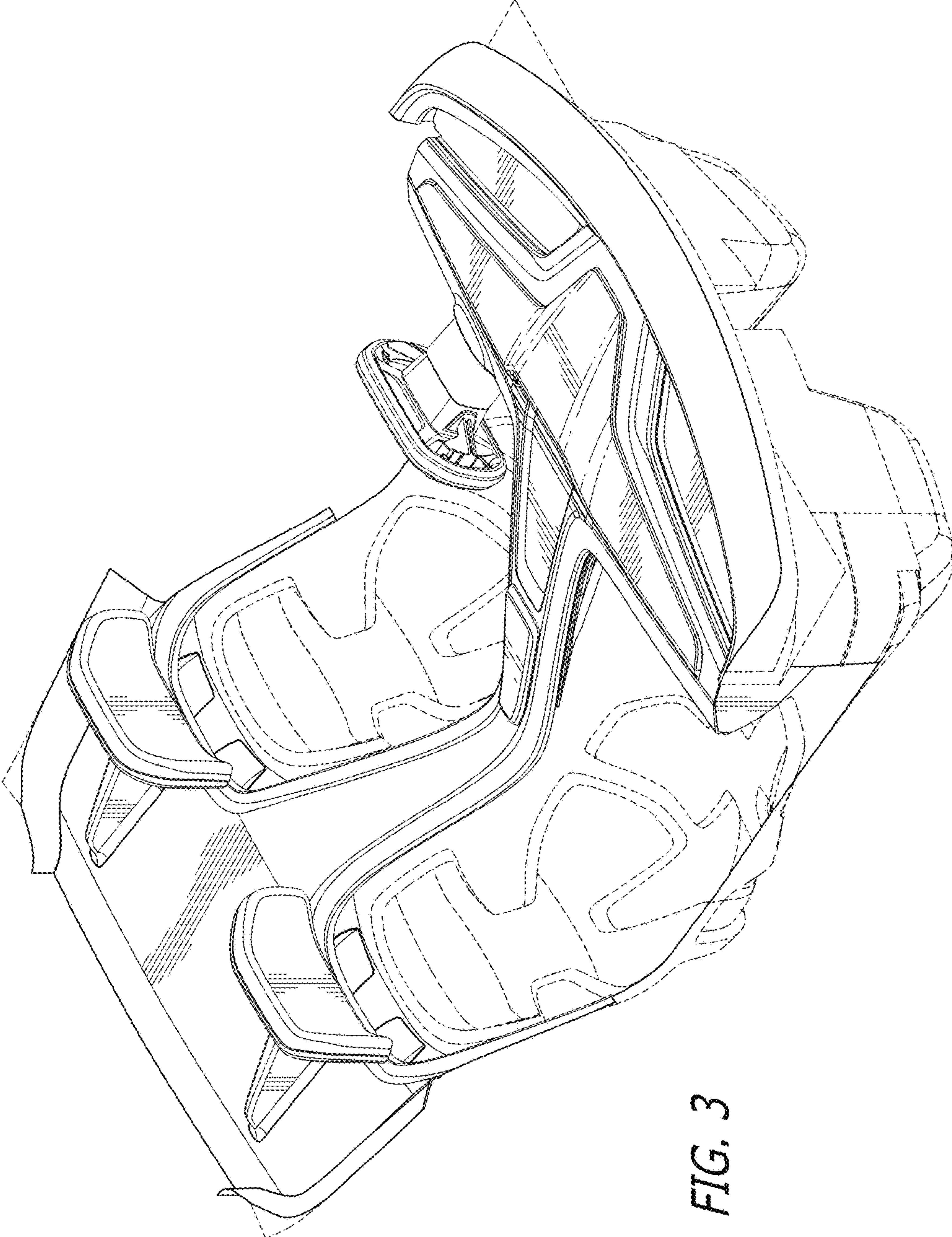
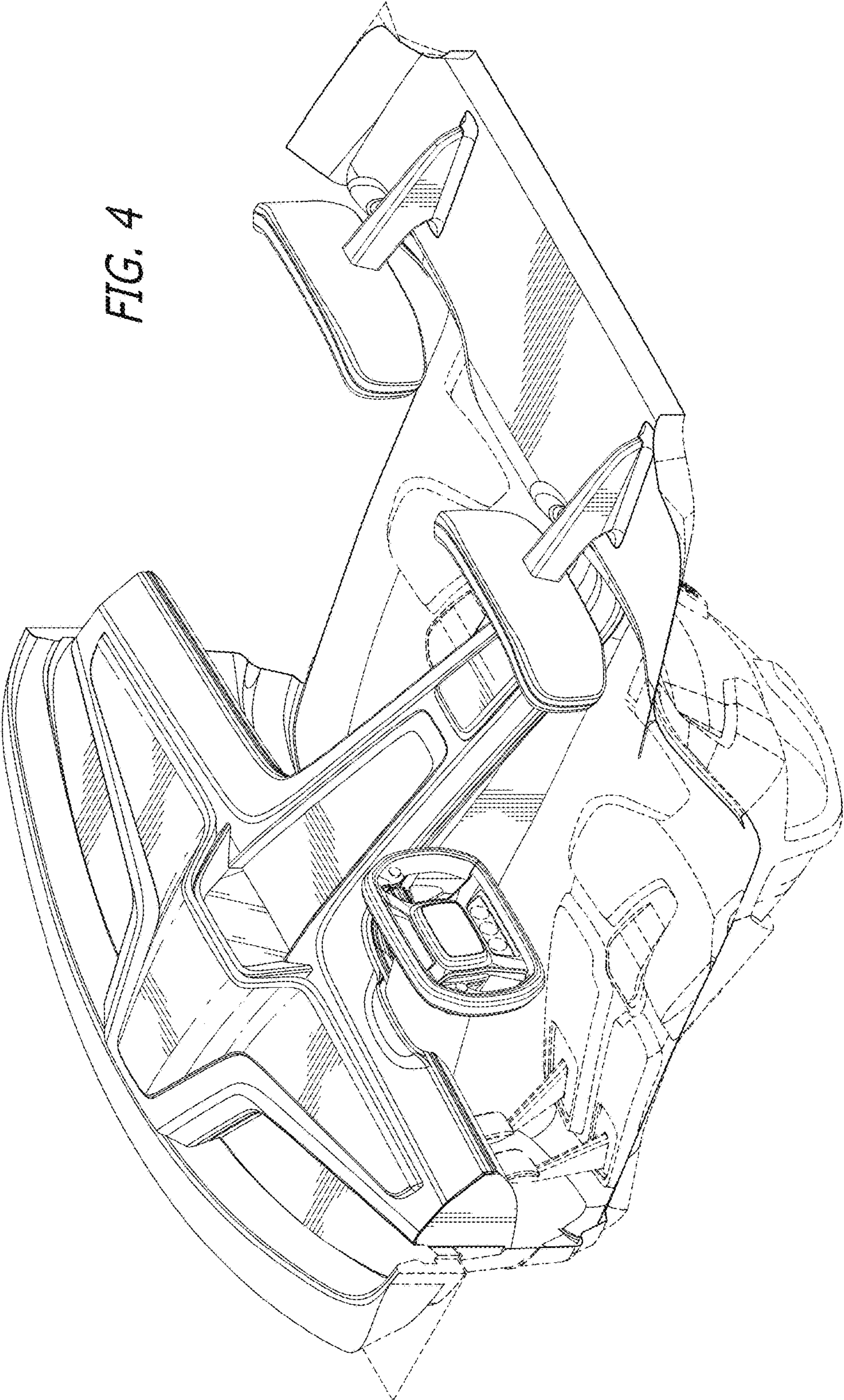


FIG. 3

FIG. 4



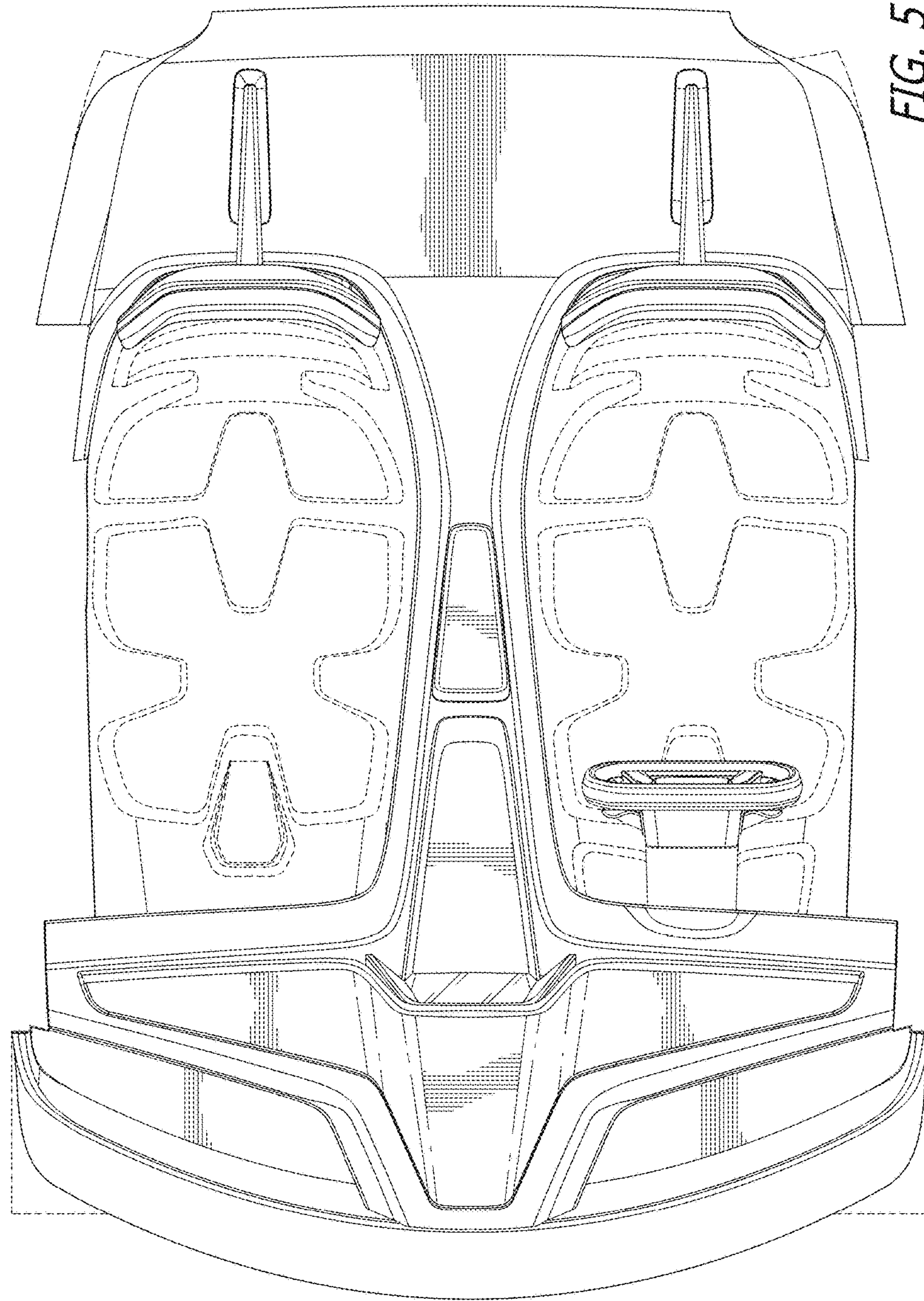


FIG. 5

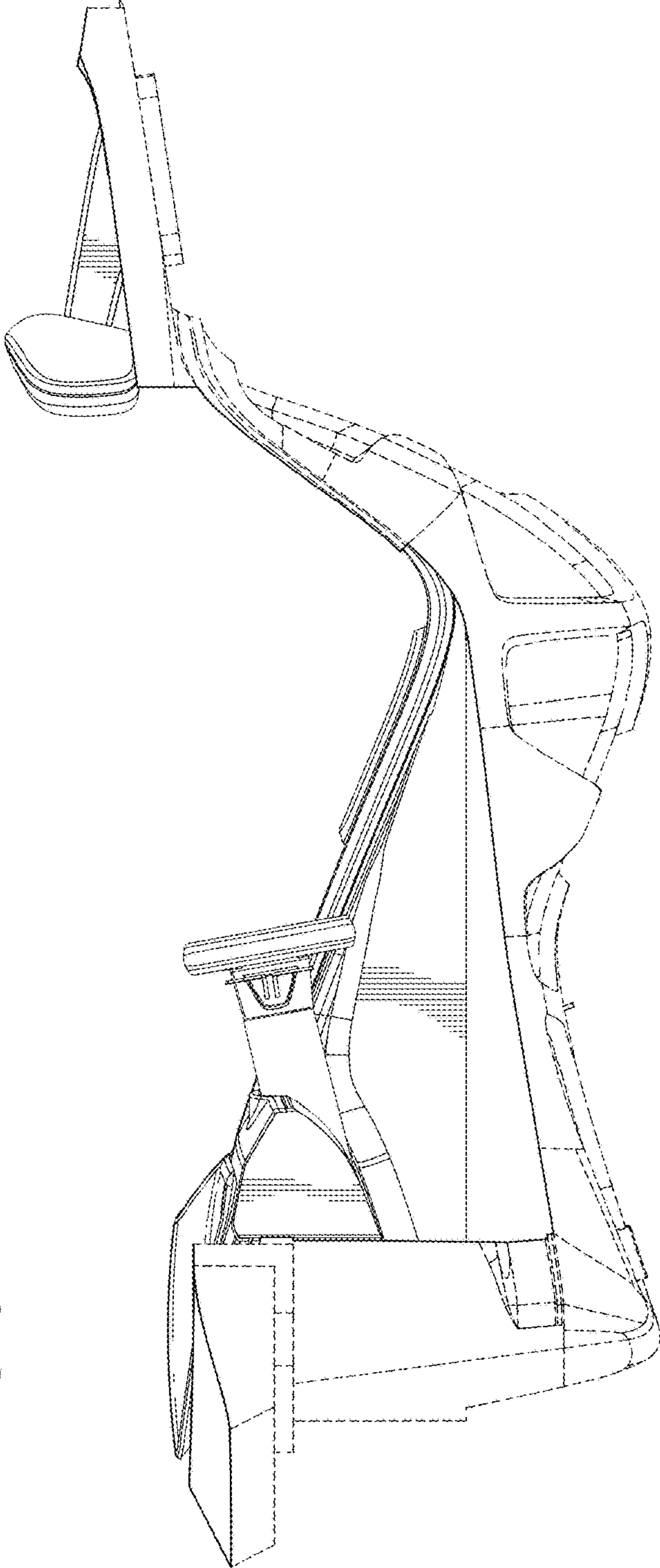


FIG. 6

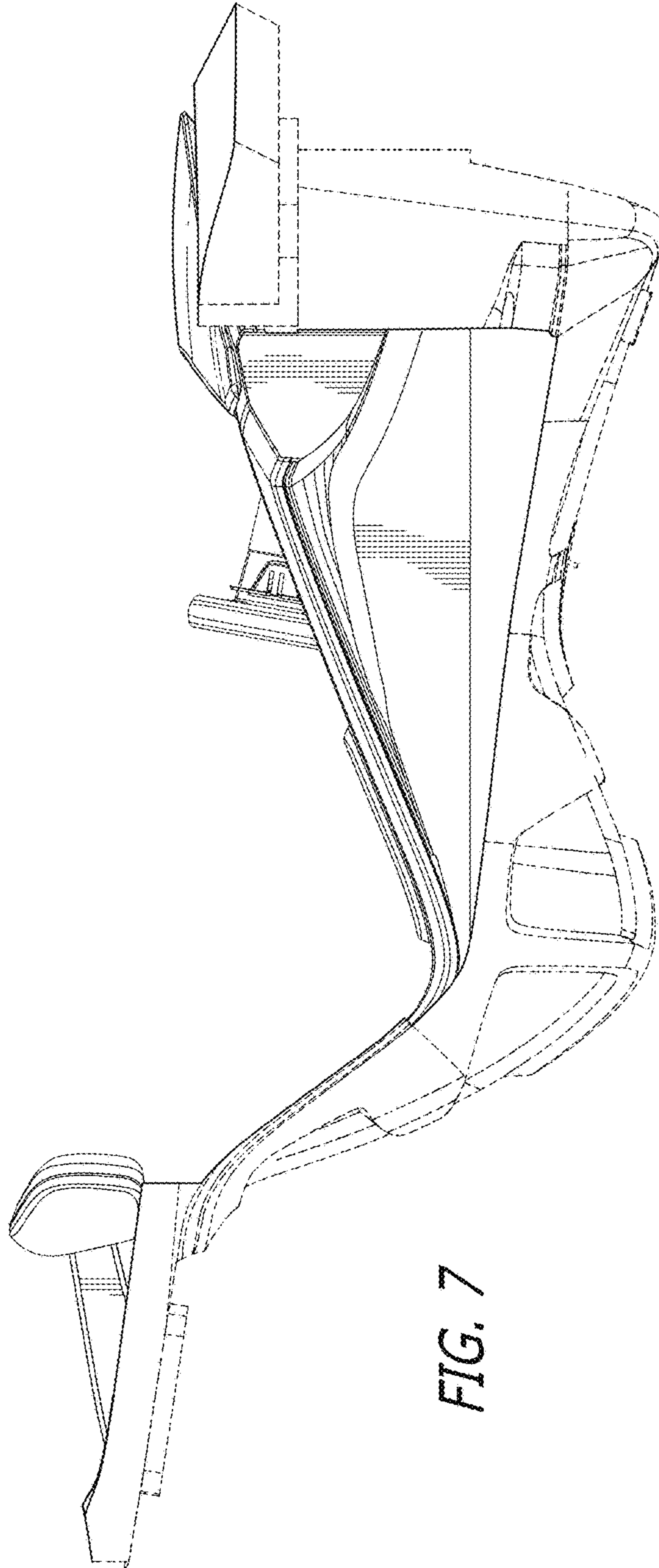


FIG. 7