



US00D849621S

(12) **United States Design Patent** (10) **Patent No.:** **US D849,621 S**
Iwao et al. (45) **Date of Patent:** **** May 28, 2019**

(54) **MOTOR VEHICLE**
(71) Applicant: **Mazda Motor Corporation**, Hiroshima (JP)
(72) Inventors: **Norihito Iwao**, Hiroshima (JP); **Katsuya Miyazaki**, Hiroshima (JP); **Seiji Sekine**, Hiroshima (JP); **Yuki Karasawa**, Hiroshima (JP); **Mina Yamashita**, Hiroshima (JP); **Jun Maruyama**, Hiroshima (JP); **Daiki Hamanaga**, Hiroshima (JP); **Hiroyuki Sato**, Hiroshima (JP); **Ayumu Tabuki**, Hiroshima (JP); **Fumiaki Amano**, Hiroshima (JP)

(73) Assignee: **MAZDA MOTOR CORPORATION**, Hiroshima (JP)

(**) Term: **15 Years**

(21) Appl. No.: **29/640,929**

(22) Filed: **Mar. 19, 2018**

(30) **Foreign Application Priority Data**

Sep. 20, 2017 (JP) D2017-020469

(51) **LOC (11) Cl.** **12-16**

(52) **U.S. Cl.**
USPC **D12/192**

(58) **Field of Classification Search**
CPC B60H 1/34; B60H 1/3407; B60H 1/3414; B60H 1/3421; B60H 1/3428; B60H 1/3435; B60H 1/3442; B60H 1/345; B60H 1/3457; B60H 2001/3464; B60H 2001/3471; B60H 2001/3478; B60H 2001/3485

See application file for complete search history.

(56) **References Cited**
U.S. PATENT DOCUMENTS
D808,874 S * 1/2018 Gao D12/192
D810,643 S * 2/2018 Takamura D12/192

(Continued)

Primary Examiner — Katrina A Betton
(74) *Attorney, Agent, or Firm* — Studebaker & Brackett PC

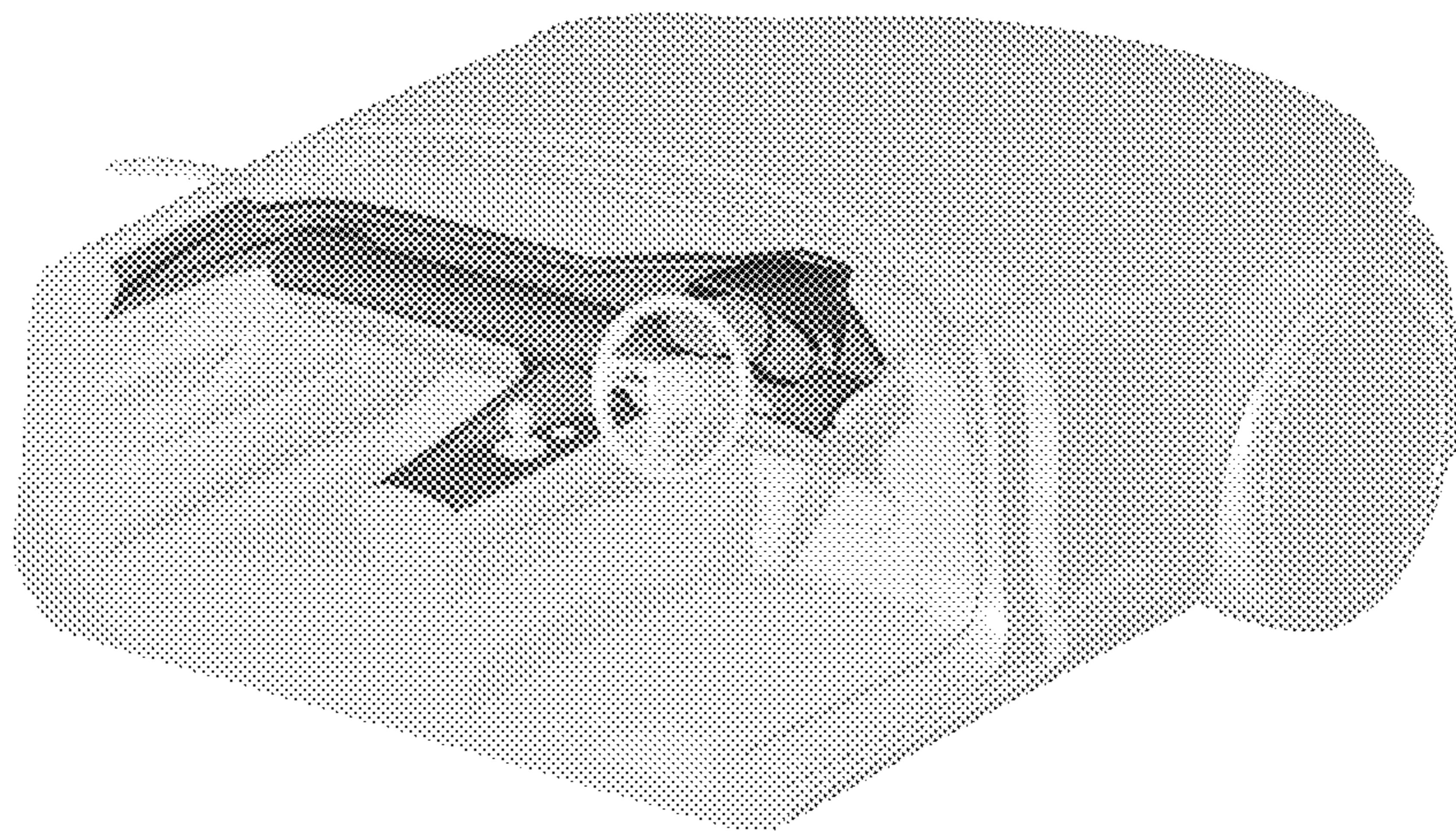
(57) **CLAIM**
The ornamental design for a motor vehicle, as shown and described.

DESCRIPTION

FIG. 1 is a right side view of a motor vehicle showing our new design, a left side view being a mirror image thereof, FIG. 2 is a front view thereof; FIG. 3 is a rear view thereof; FIG. 4 is a top view thereof; FIG. 5 is a partial left, rear perspective view thereof having a roof, a front seat, a left door panel and a rear portion of the motor vehicle removed; FIG. 6 is partial a right, rear perspective view thereof having the roof, the front seat, a right door panel and the rear portion of the motor vehicle removed; FIG. 7 is partial a top, rear perspective view thereof having the roof, the front seat and the rear portion of the motor vehicle removed; FIG. 8 is partial a top, rear perspective view thereof having the roof, the front seat, a steering wheel and the rear portion of the motor vehicle removed; FIG. 9 is partial a top view thereof having the roof, the front seat and the rear portion of the motor vehicle removed; and, FIG. 10 is cross sectional view taken along line 10-10 of FIG. 1, having the roof and front seat of the motor vehicle removed.

The claimed design is indicated by the relatively dark portions in the figures, while the relatively light portions are environmental and form no part of the claimed design.

1 Claim, 10 Drawing Sheets



(56)

References Cited

U.S. PATENT DOCUMENTS

D812,536 S *	3/2018	Matsuda	D12/192
D813,127 S *	3/2018	Yamamoto	D12/192
D813,769 S *	3/2018	Yaguchi	D12/192
D819,533 S *	6/2018	Choi	D12/192
D826,122 S *	8/2018	Yamamoto	D12/192
D828,259 S *	9/2018	Takagi	D12/192
D828,260 S *	9/2018	Takagi	D12/192
D830,927 S *	10/2018	Tanaka	D12/192
D836,510 S *	12/2018	Nakai	D12/192

* cited by examiner

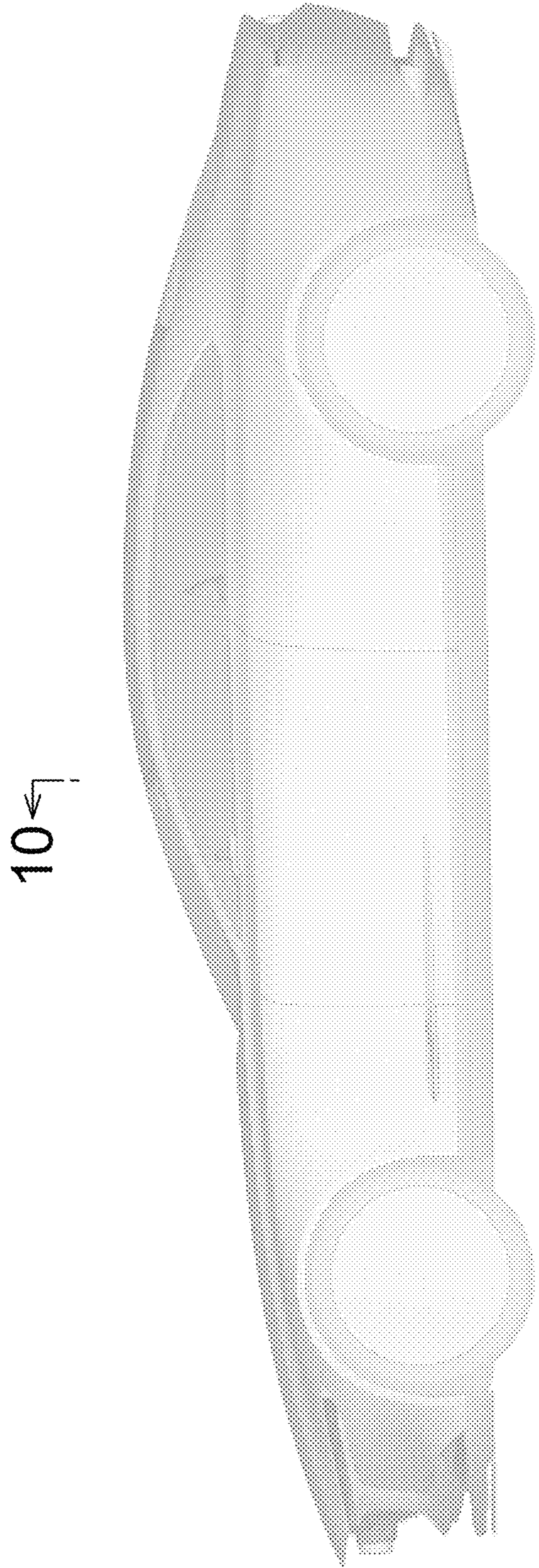


FIG. 1

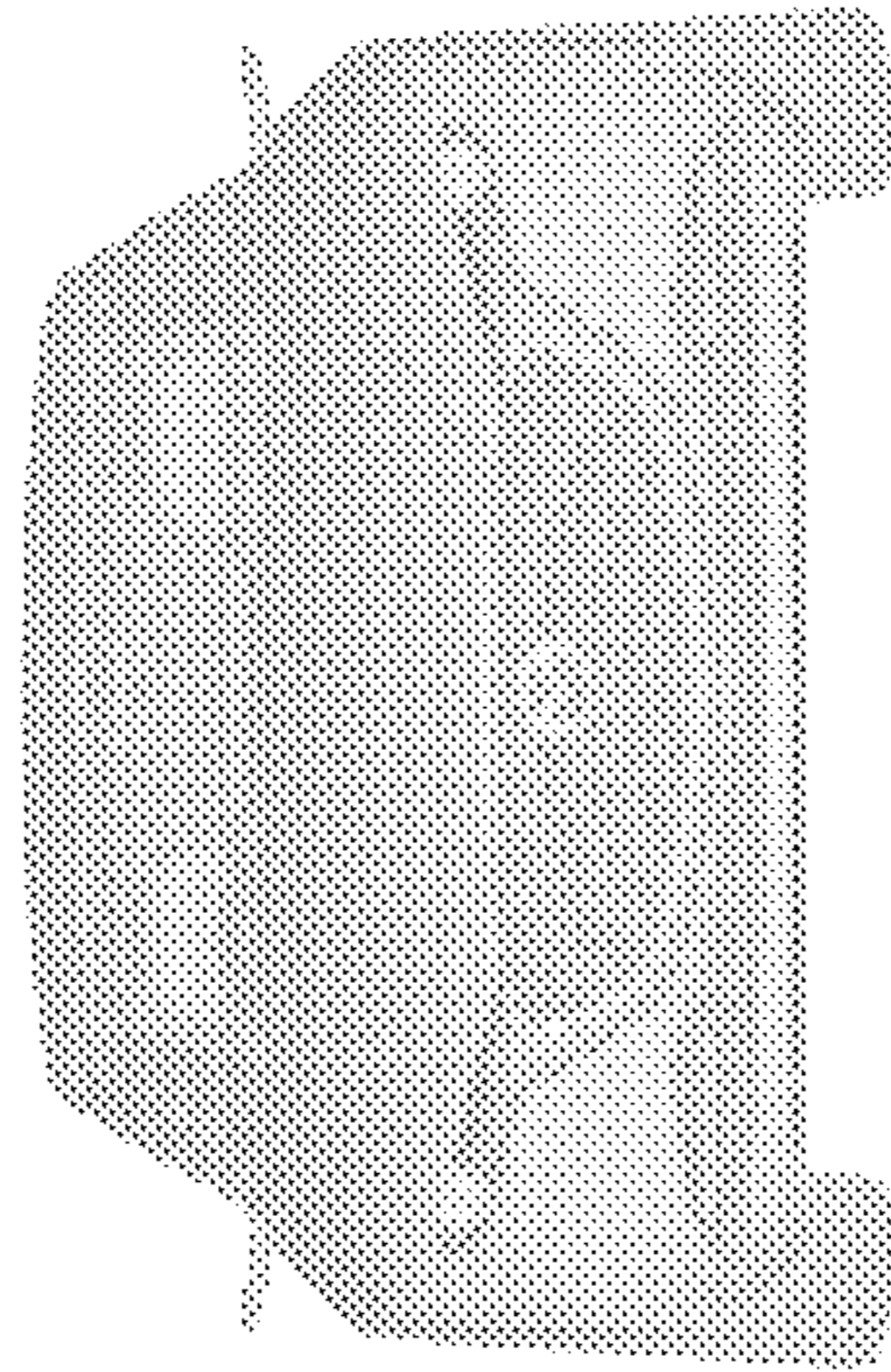


FIG. 2

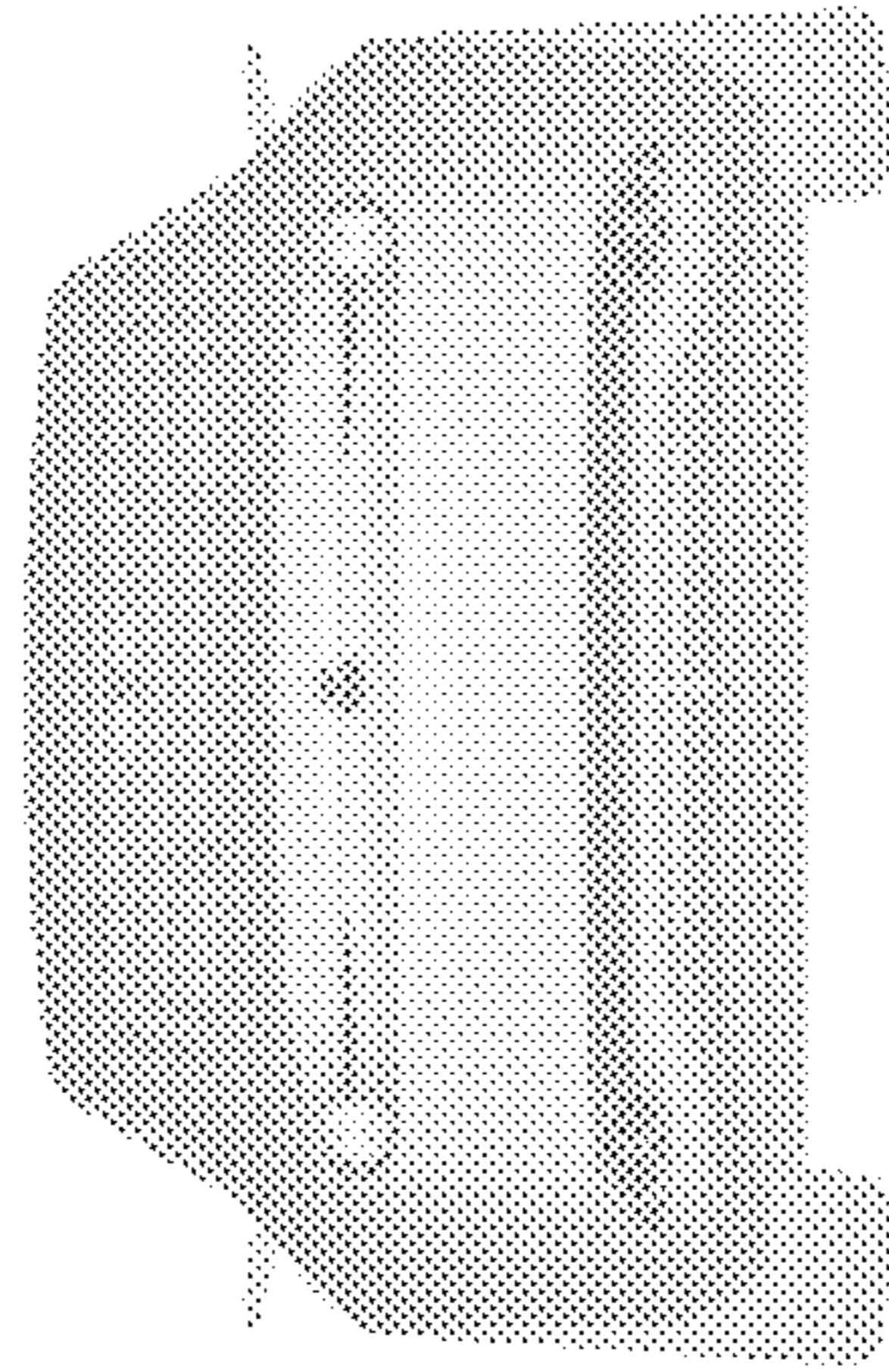


FIG. 3

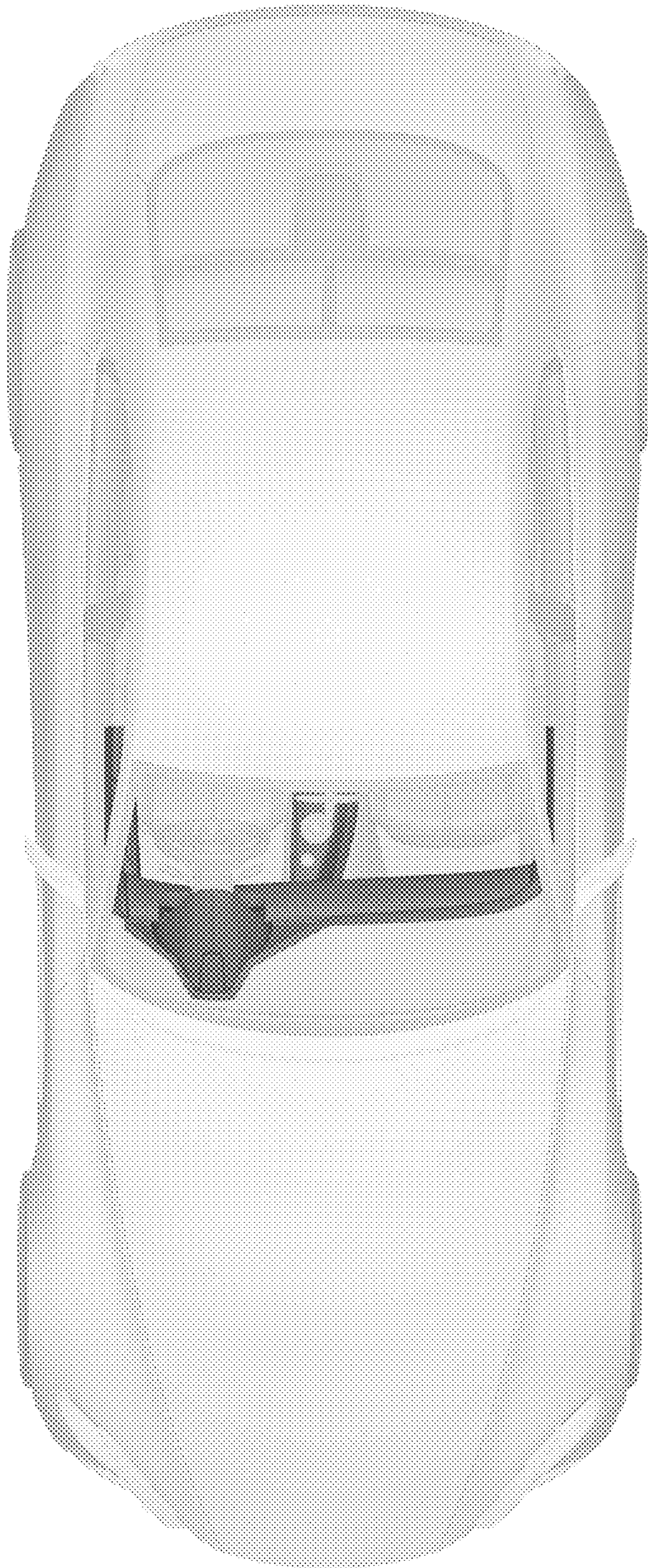


FIG.4

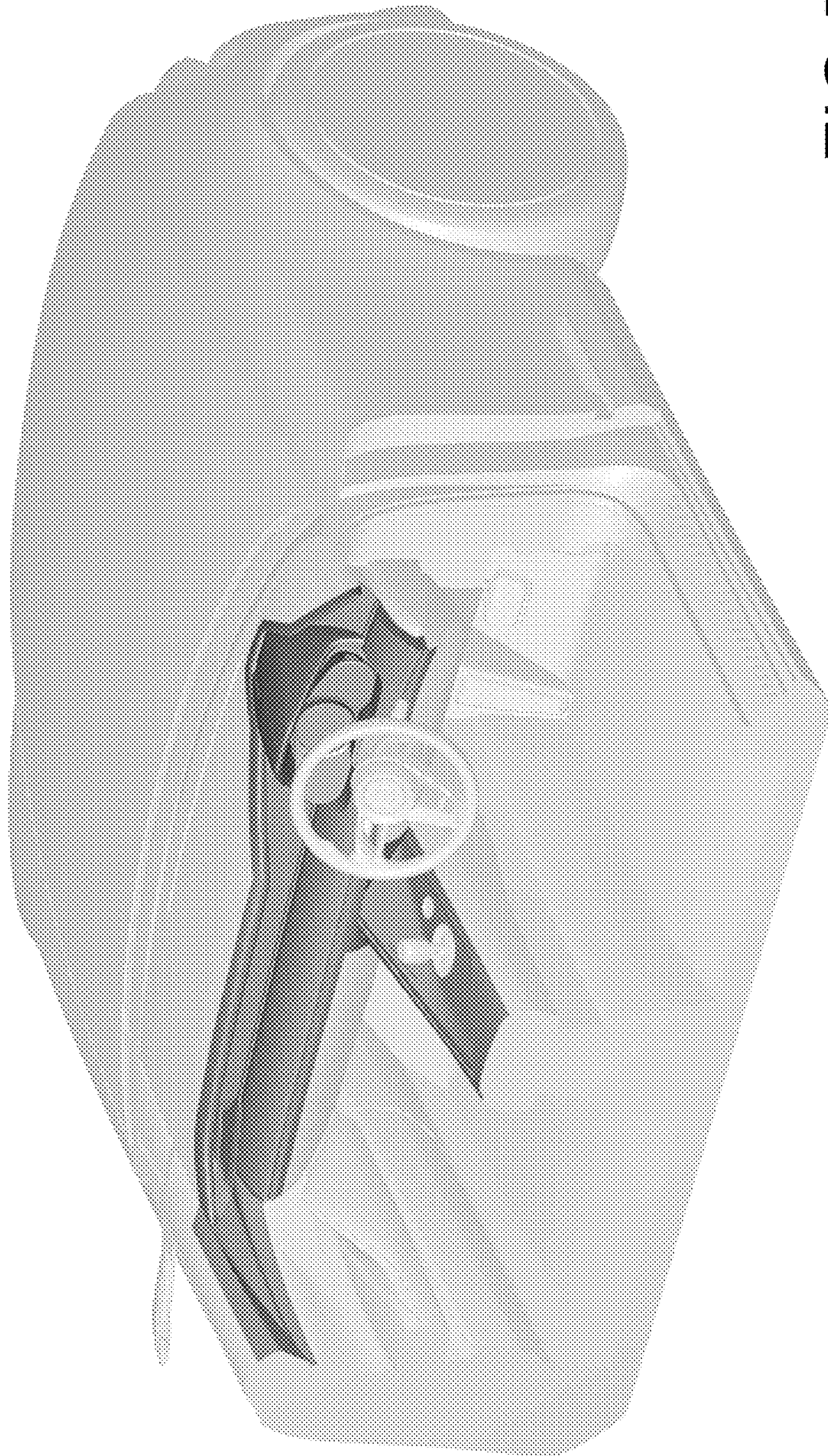


FIG. 5

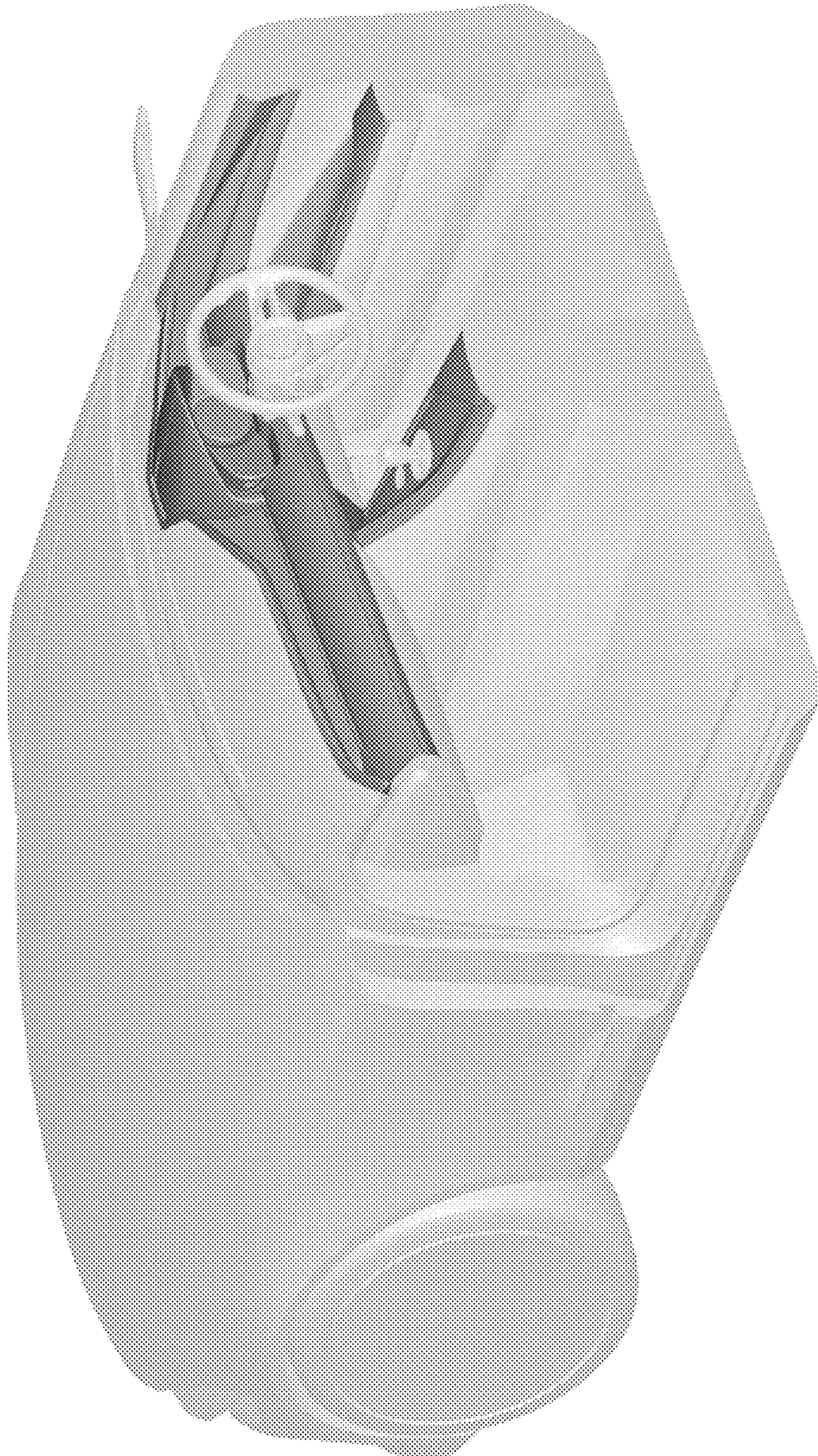


FIG.6

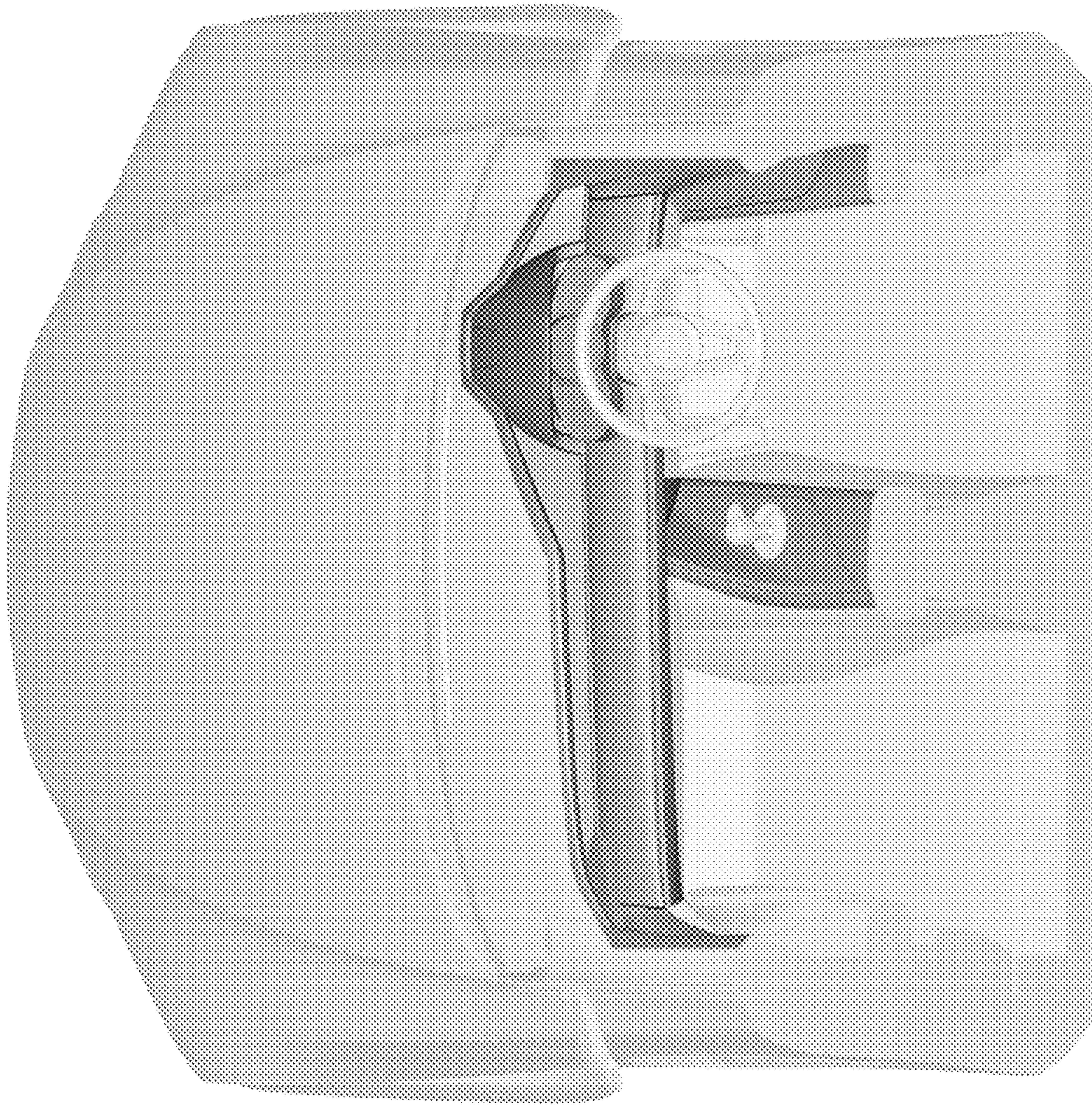


FIG. 7

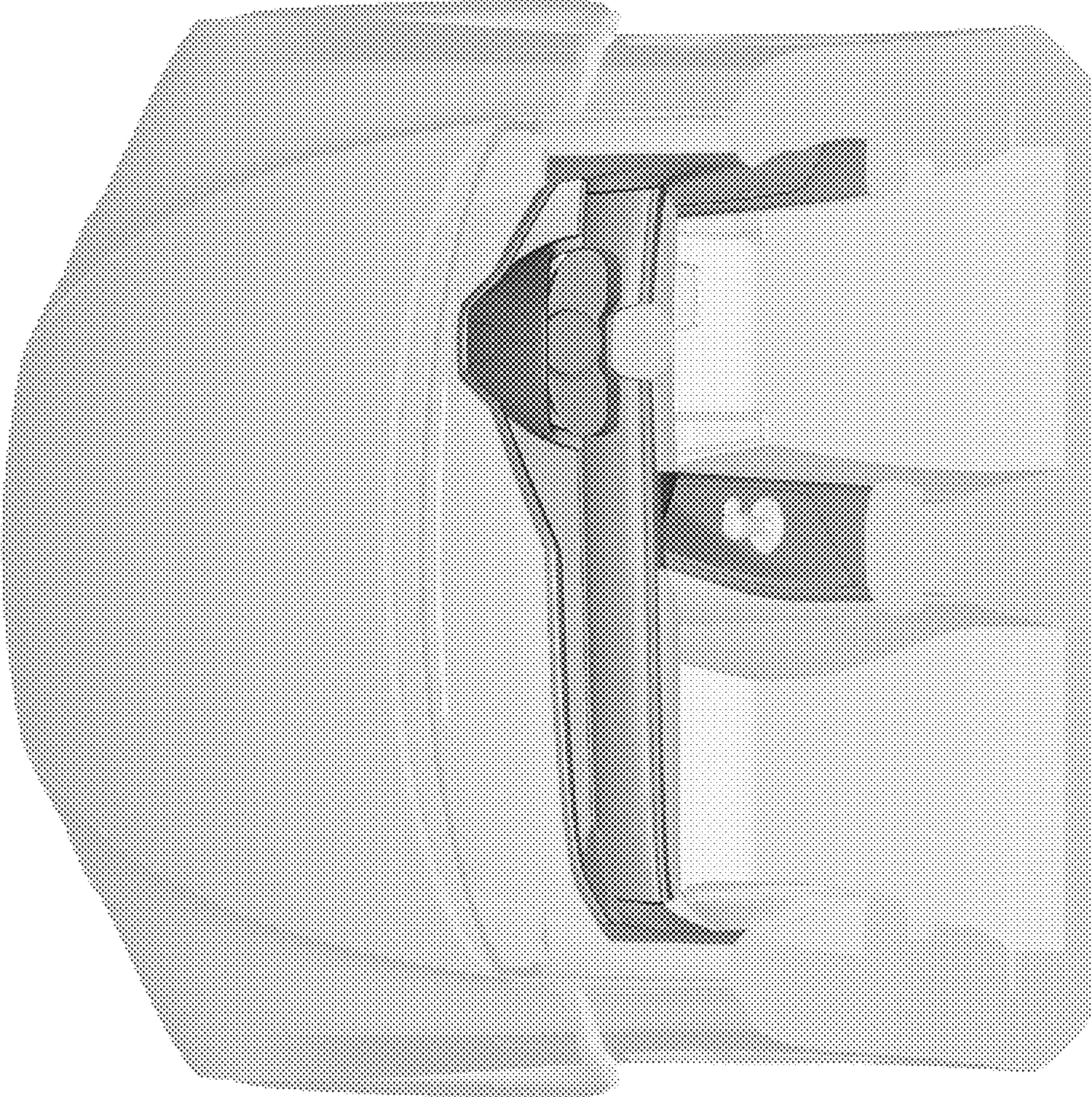


FIG. 8

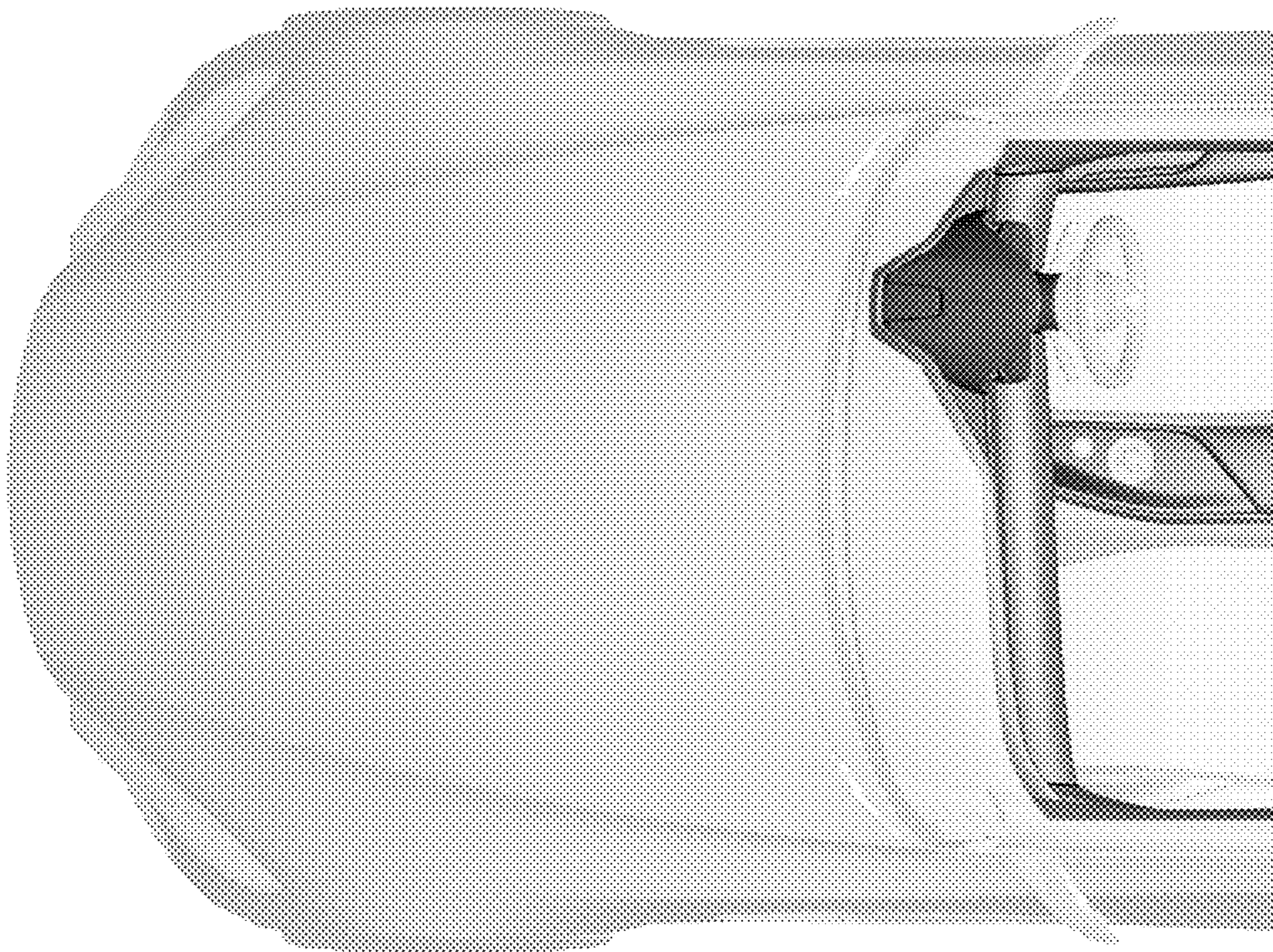


FIG. 9

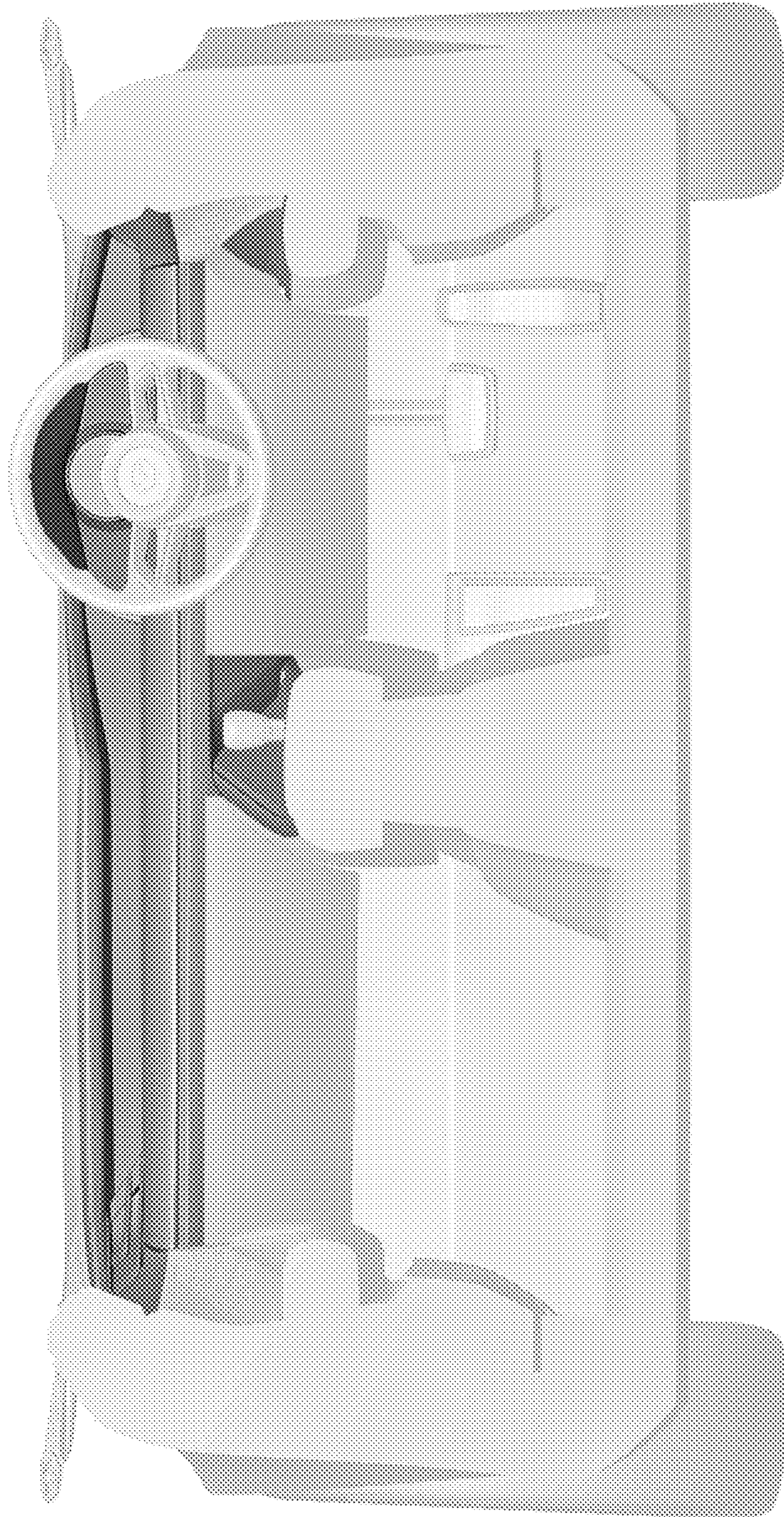


FIG.10