



US00D849620S

(12) **United States Design Patent** (10) **Patent No.:** **US D849,620 S**
Roo-Clefas et al. (45) **Date of Patent:** **** May 28, 2019**

(54) **DISPLAY FOR A DASHBOARD**
(71) Applicant: **Byton Limited**, Hong Kong (HK)
(72) Inventors: **Felipe Roo-Clefas**, Munich (DE);
Sebastian Toddenroth, Munich (DE);
Benoit Jacob, Munich (DE); **Wolfram Luchner**, Los Altos Hills, CA (US)
(**) Term: **15 Years**
(21) Appl. No.: **29/639,444**
(22) Filed: **Mar. 6, 2018**
(51) **LOC (11) Cl.** **12-16**
(52) **U.S. Cl.**
USPC **D12/192**
(58) **Field of Classification Search**
CPC B60H 1/34; B60H 1/3407; B60H 1/3414;
B60H 1/3421; B60H 1/3428; B60H
1/3435; B60H 1/3442; B60H 1/345;
B60H 1/3457; B60H 2001/3464; B60H
2001/3471; B60H 2001/3478; B60H
2001/3485
See application file for complete search history.

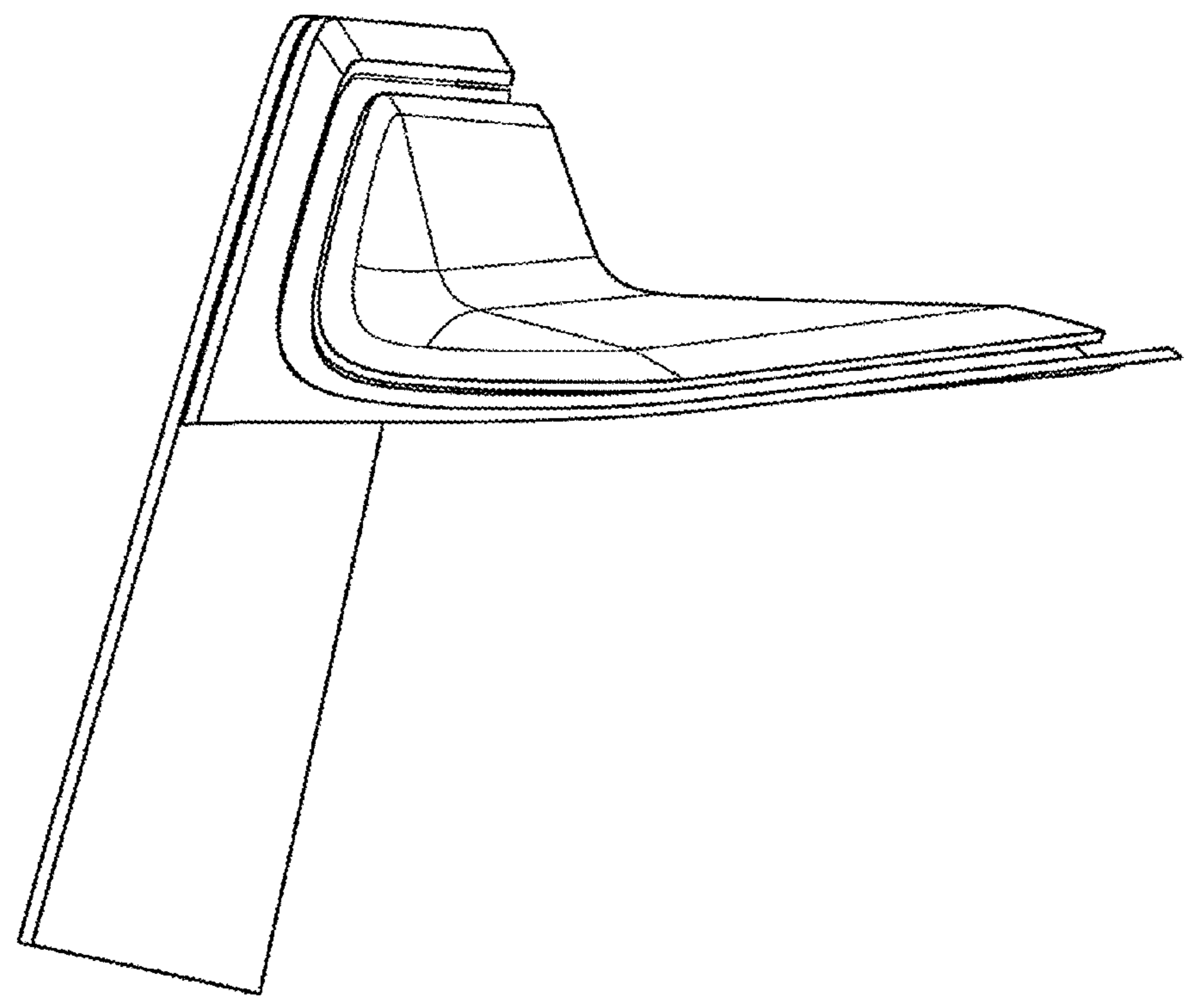
(56) **References Cited**
U.S. PATENT DOCUMENTS
D697,862 S * 1/2014 Nemeth D12/192
D744,920 S * 12/2015 Weng D12/192

D788,666 S * 6/2017 Yamamoto D12/192
D793,314 S * 8/2017 Yoon D12/192
D817,832 S * 5/2018 Maezono D12/192
D823,206 S * 7/2018 Watanabe D12/192
D825,420 S * 8/2018 Boyes D12/192
D826,814 S * 8/2018 Von Holzhausen D12/192
D832,754 S * 11/2018 Ryu D12/192
* cited by examiner
Primary Examiner — Katrina A Betton
(74) *Attorney, Agent, or Firm* — Womble Bond Dickinson
(US) LLP

(57) **CLAIM**
The ornamental design for a display for a dashboard, as shown and described.

DESCRIPTION
FIG. 1 is a front view of a display for a dashboard showing the new design;
FIG. 2 is a front-facing top view thereof;
FIG. 3 is a right-side view thereof;
FIG. 4 is a left-side view thereof;
FIG. 5 is a rear-facing top view thereof; and,
FIG. 6 is a front-facing perspective view thereof.

1 Claim, 6 Drawing Sheets



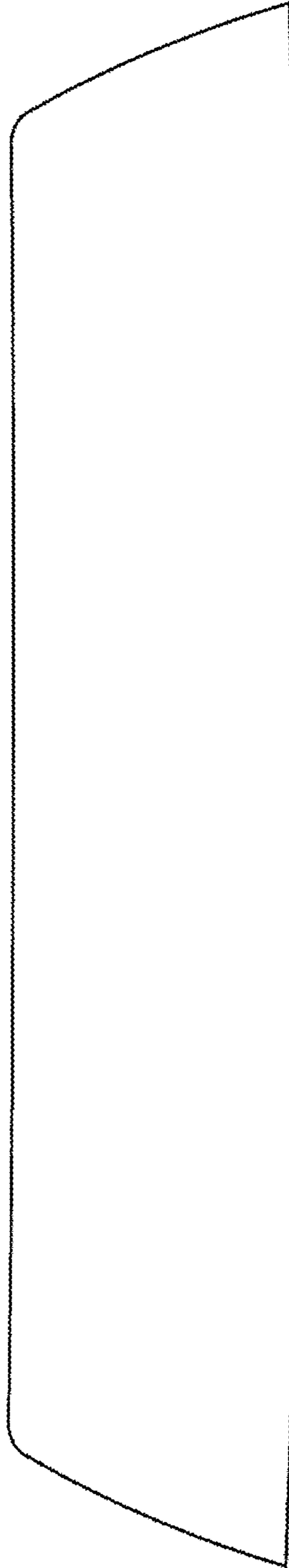


FIG. 1

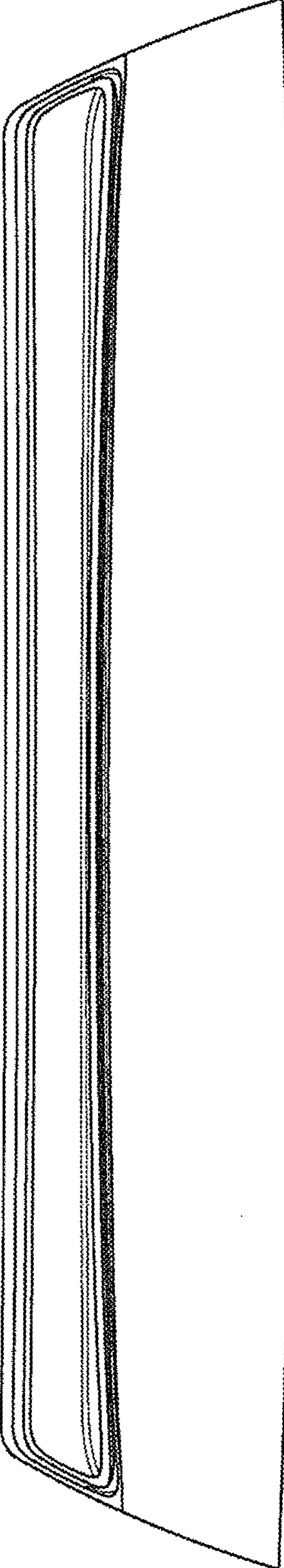


FIG. 2

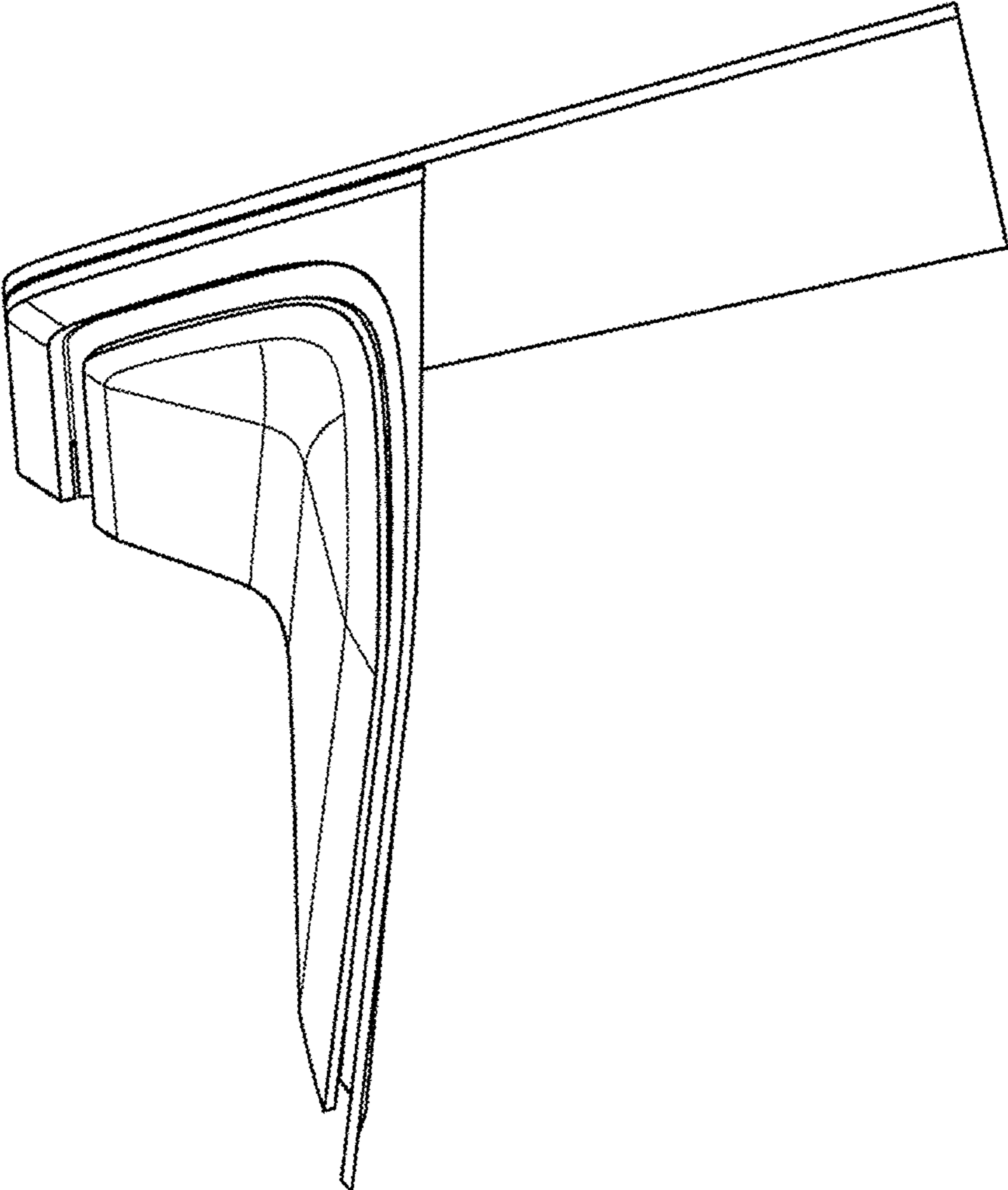


FIG. 3

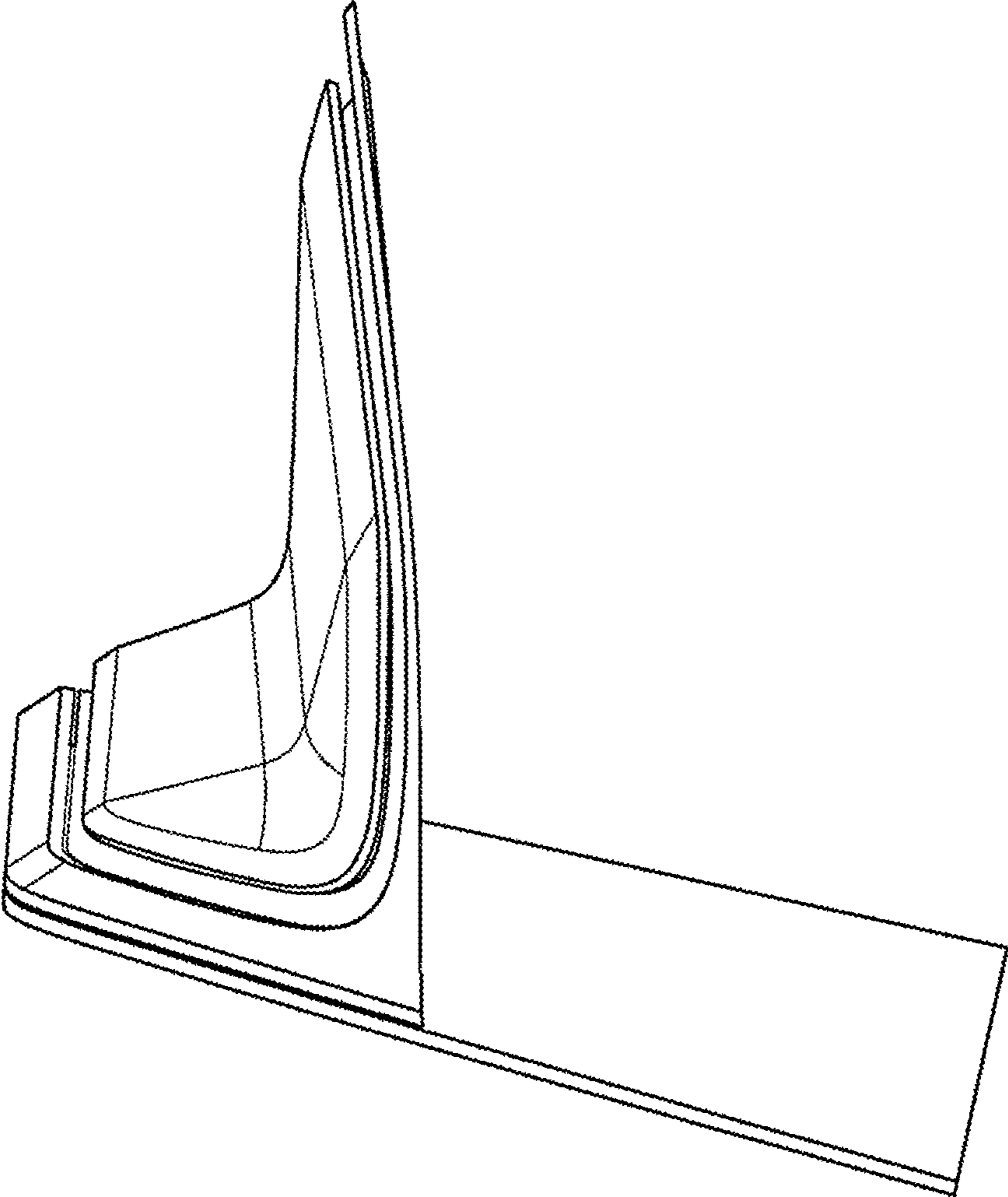


FIG. 4

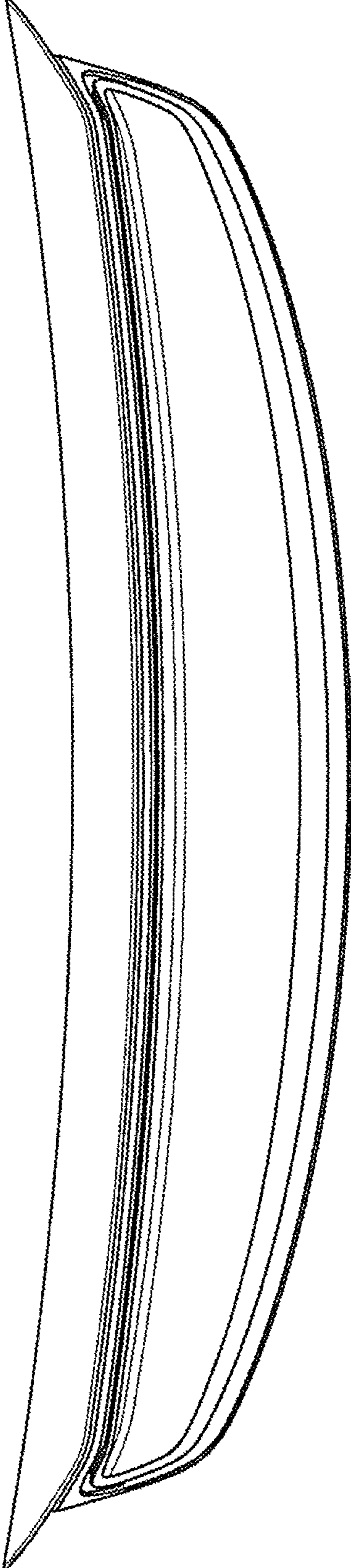


FIG. 5

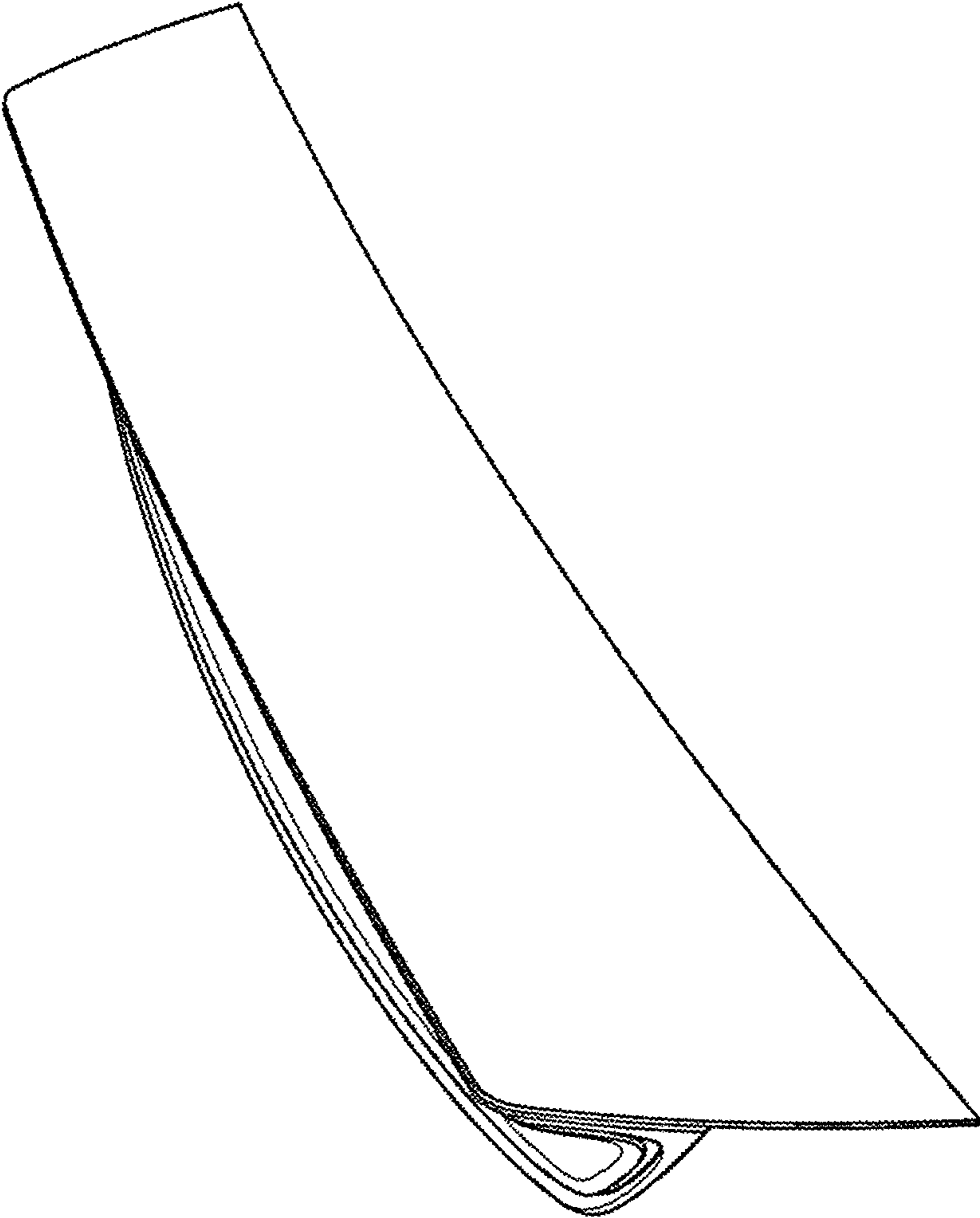


FIG. 6