



US00D849618S

(12) **United States Design Patent** (10) **Patent No.:** **US D849,618 S**  
**Chen** (45) **Date of Patent:** **\*\* May 28, 2019**

(54) **IN-VEHICLE CENTER CONSOLE**  
(71) Applicant: **HON HAI PRECISION INDUSTRY CO., LTD.**, New Taipei (TW)  
(72) Inventor: **Yi Chen**, Shenzhen (CN)  
(73) Assignee: **FOXCONN INTERCONNECT TECHNOLOGY LIMITED**, Grand Cayman (KY)

(\*\*) Term: **15 Years**  
(21) Appl. No.: **29/589,321**

(22) Filed: **Dec. 30, 2016**

(30) **Foreign Application Priority Data**  
Jul. 27, 2016 (CN) ..... 2016 3 0349013

(51) **LOC (11) Cl.** ..... **12-16**

(52) **U.S. Cl.**  
USPC ..... **D12/192**

(58) **Field of Classification Search**  
USPC ..... D12/192, 415, 114, 345; D15/17, 28; D10/122-127, 102-103, 98, 46; D23/324  
CPC ..... B60H 1/34; B60H 1/3407; B60H 1/3414; B60H 1/3421; B60H 1/3428; B60H 1/3435; B60H 1/3442; B60H 1/345; B60H 1/3457; B60H 2001/346; B60H 2001/3471; B60H 2001/3478; B60H 2001/3485  
See application file for complete search history.

(56) **References Cited**  
**U.S. PATENT DOCUMENTS**  
D795,772 S \* 8/2017 Bae ..... D12/192  
D815,002 S \* 4/2018 Niemiec ..... D12/192  
D820,753 S \* 6/2018 Lee ..... D12/192  
D833,351 S \* 11/2018 Kosinski, II ..... D12/192

D833,933 S \* 11/2018 Gibson ..... D12/192  
D834,477 S \* 11/2018 Kumagai ..... D12/192  
D835,017 S \* 12/2018 Hill ..... D12/192  
D836,049 S \* 12/2018 Ryu ..... D12/192  
2015/0002991 A1\* 1/2015 Vander Sluis ..... B60R 11/0235  
361/679.01  
2017/0315354 A1\* 11/2017 Park ..... G02B 27/0149

\* cited by examiner  
*Primary Examiner* — Katrina A Betton  
(74) *Attorney, Agent, or Firm* — ScienBiziP, P.C.

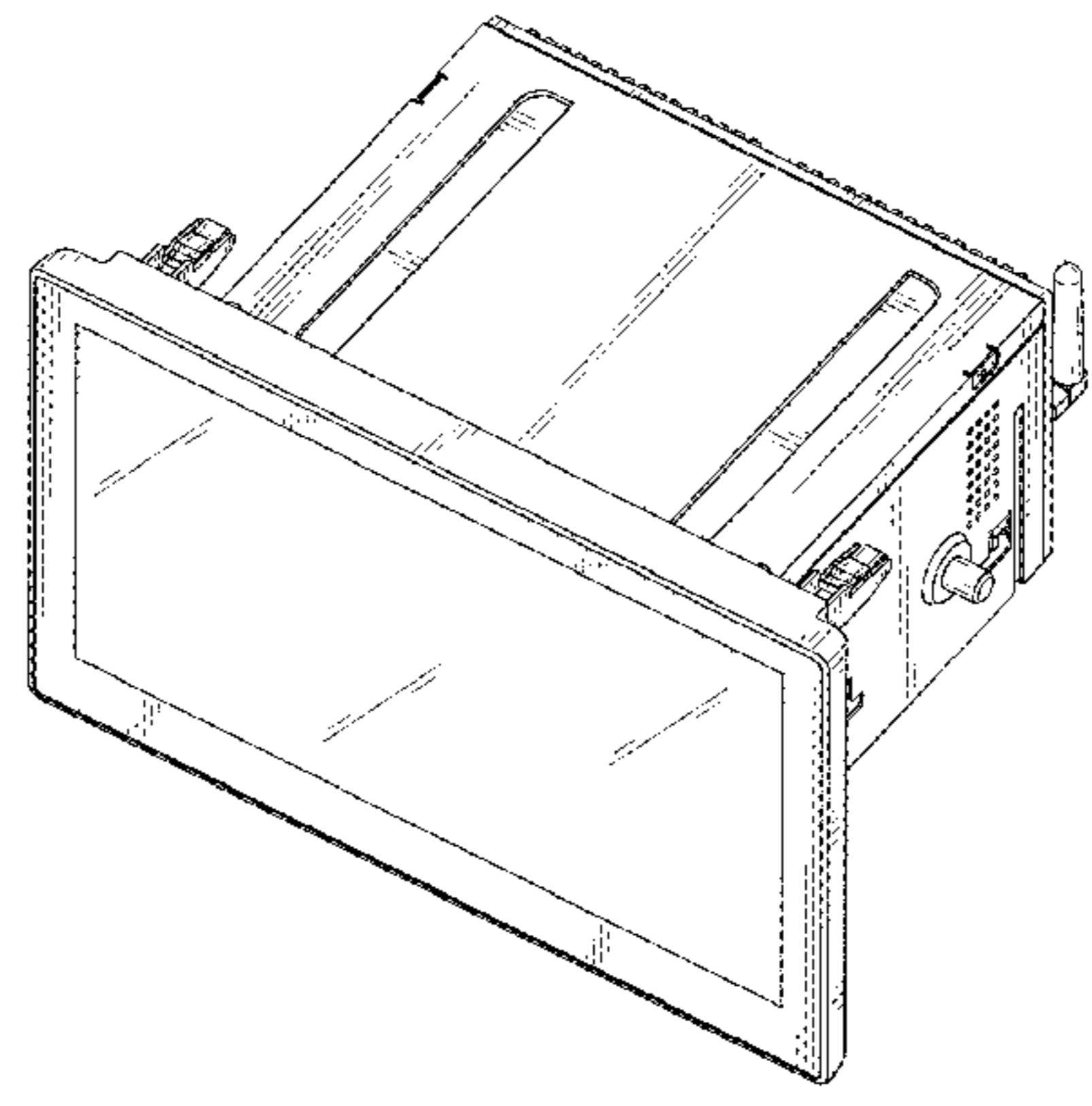
(57) **CLAIM**

The design for an in-vehicle center console, as shown and as described.

**DESCRIPTION**

FIG. 1 is a perspective view of the vehicle machine;  
FIG. 2 is another perspective view of the vehicle machine;  
FIG. 3 is a bottom plan view thereof;  
FIG. 4 is a top plan view thereof;  
FIG. 5 is a left side elevational view thereof;  
FIG. 6 is a right side elevational view thereof;  
FIG. 7 is a rear elevational view thereof; and,  
FIG. 8 is a front elevational view thereof.  
The broken lines in the drawings are employed to show unclaimed portions and environment of the in-vehicle center console, and form no part of the claimed design.

**1 Claim, 8 Drawing Sheets**



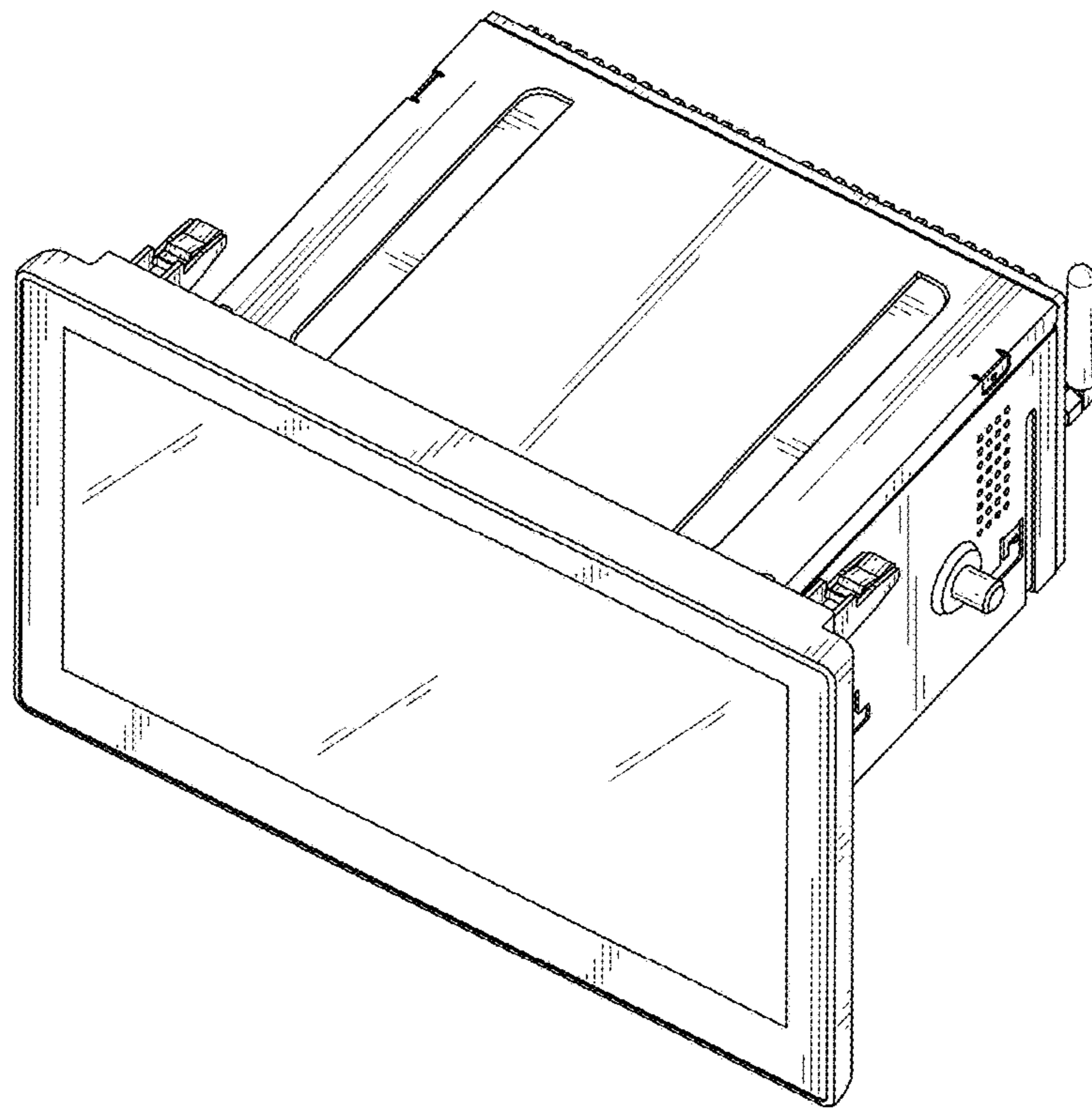


FIG. 1

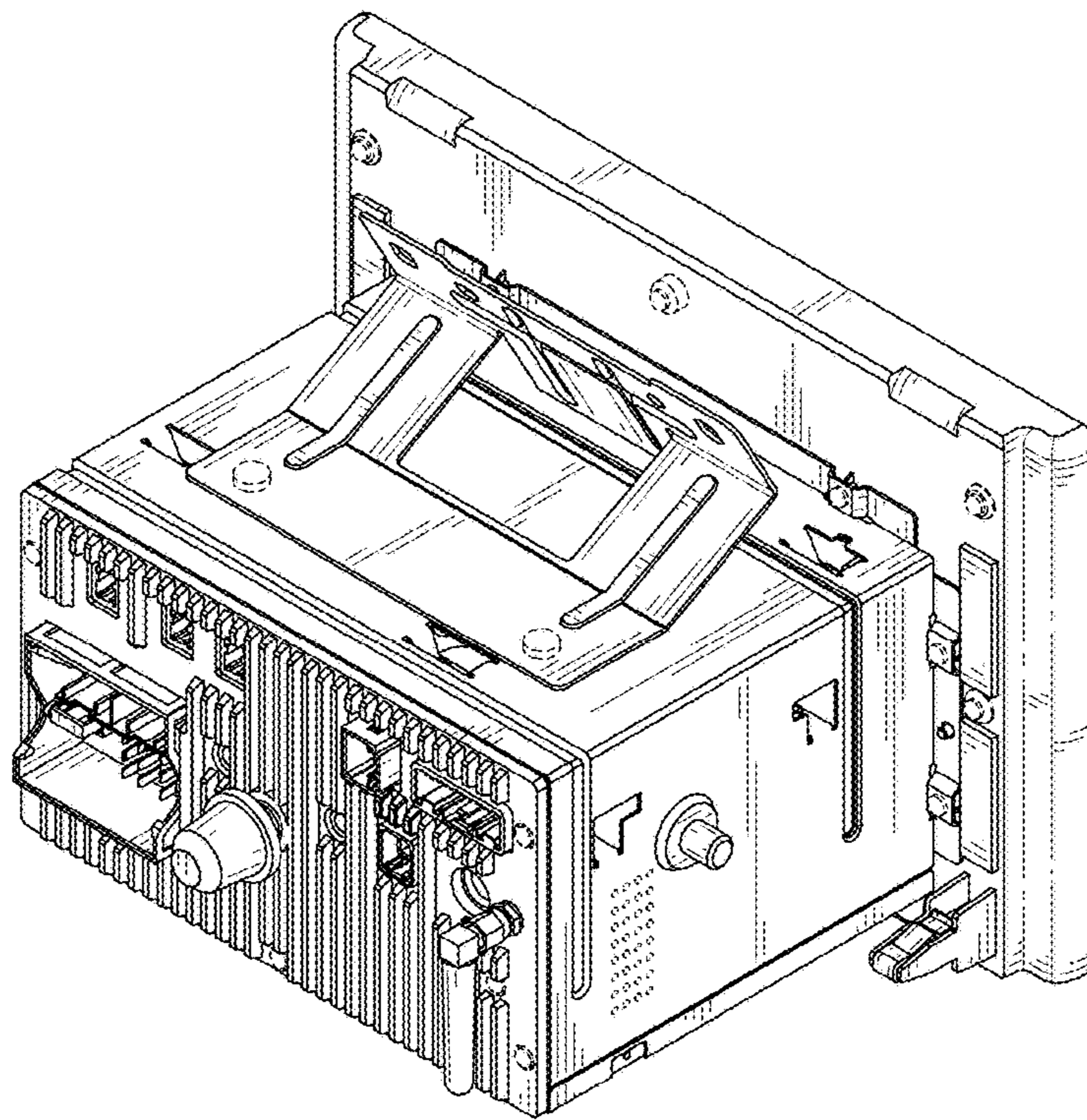


FIG. 2

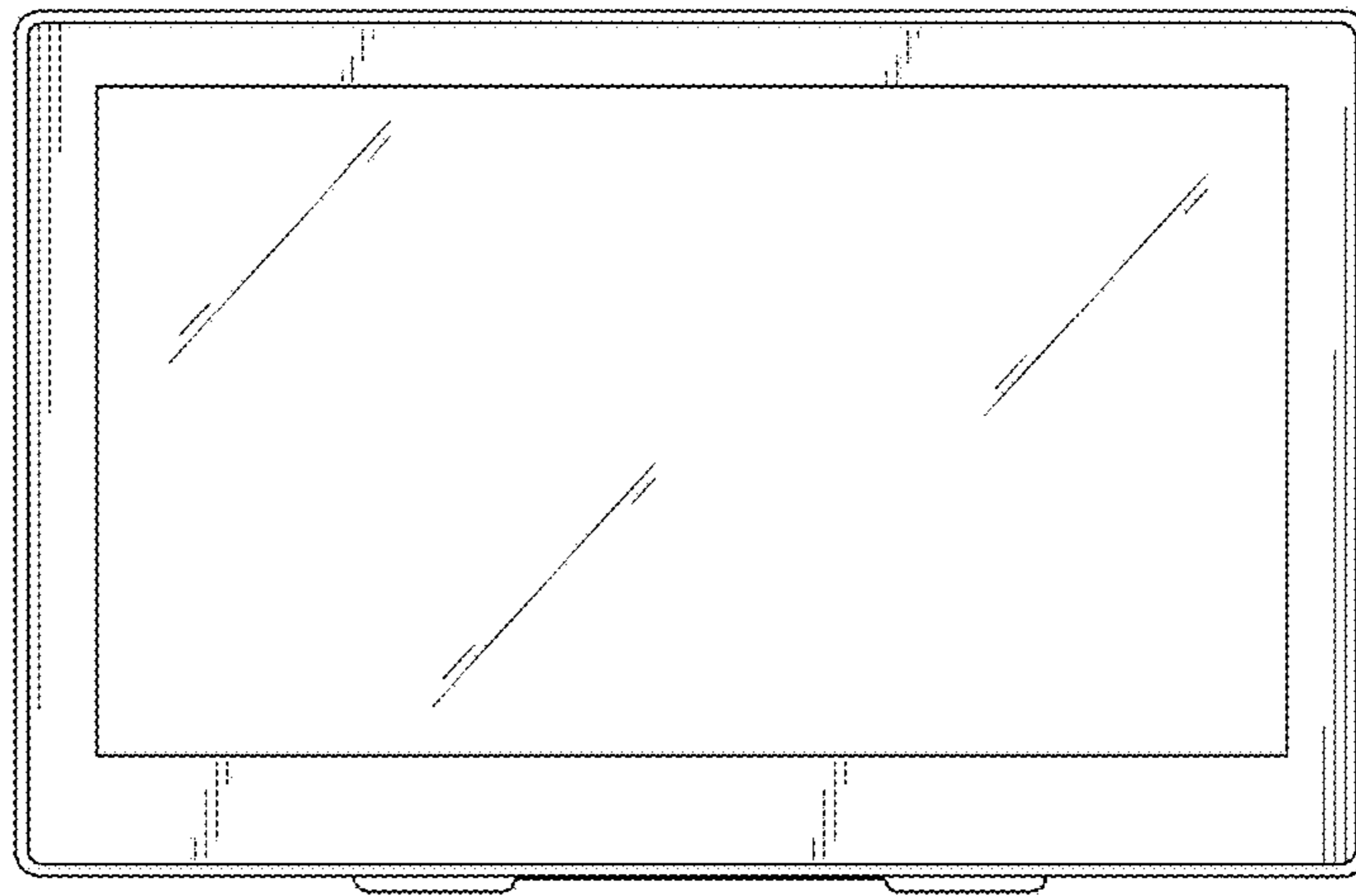


FIG. 3

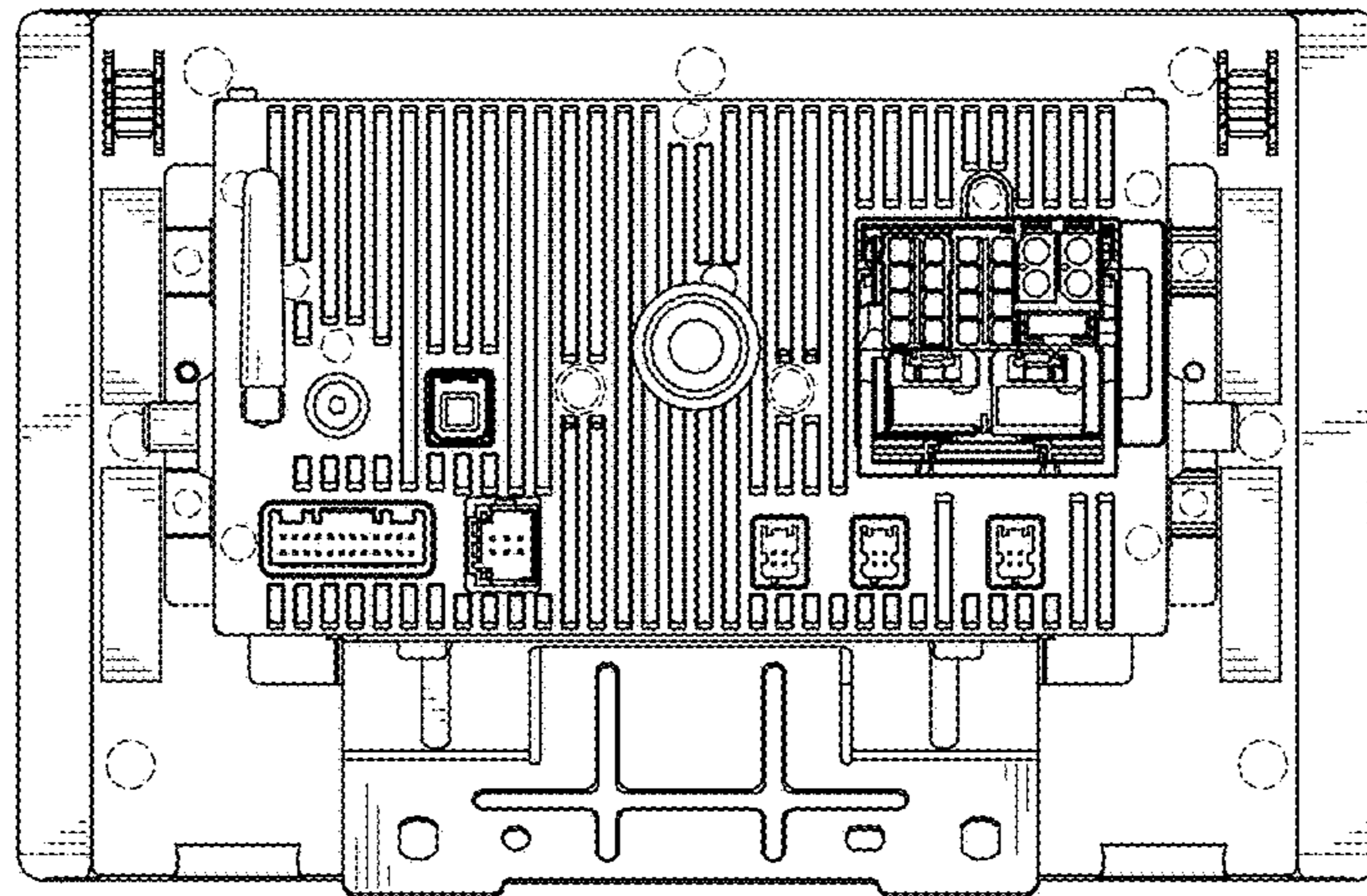


FIG. 4

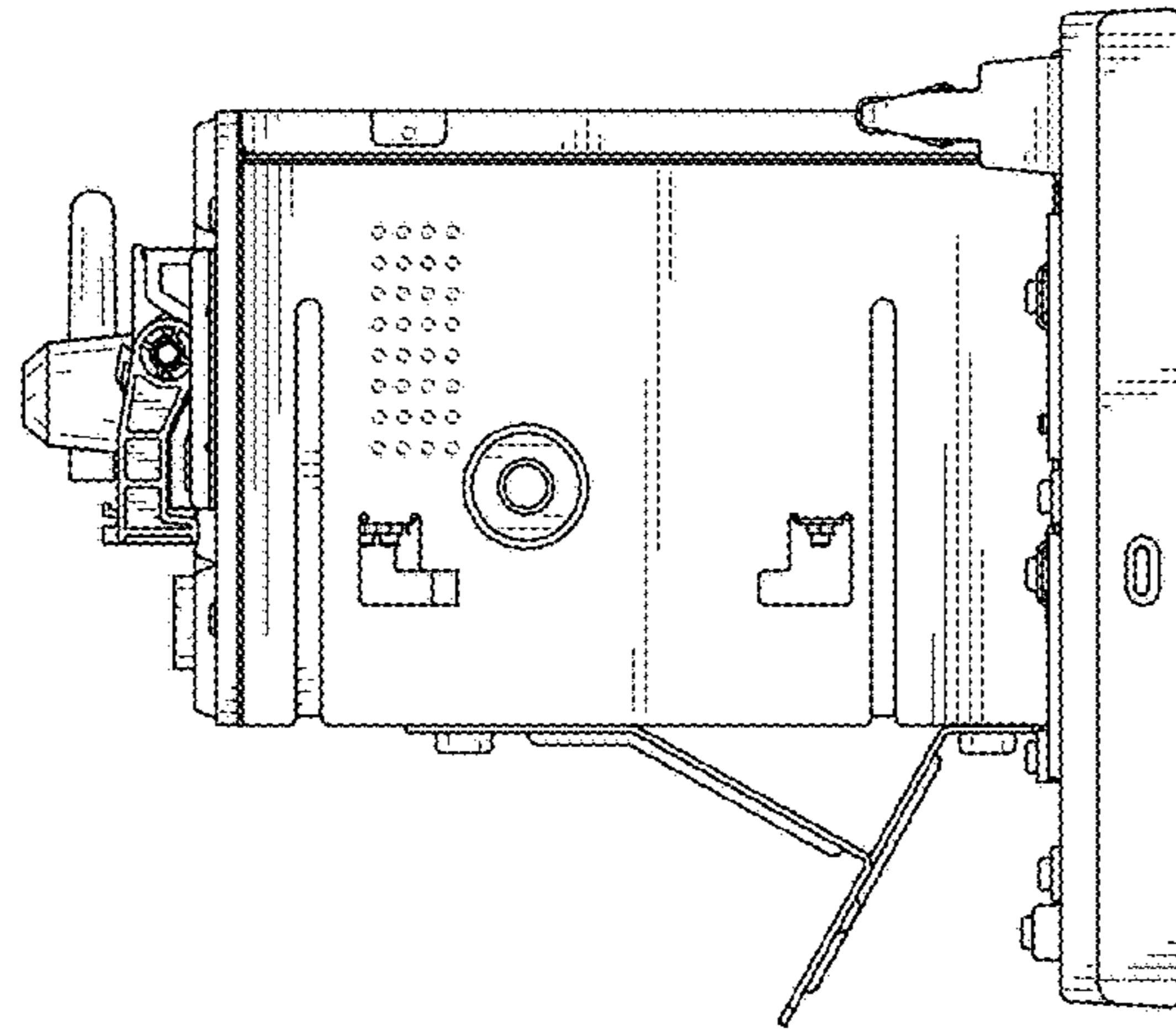


FIG. 5

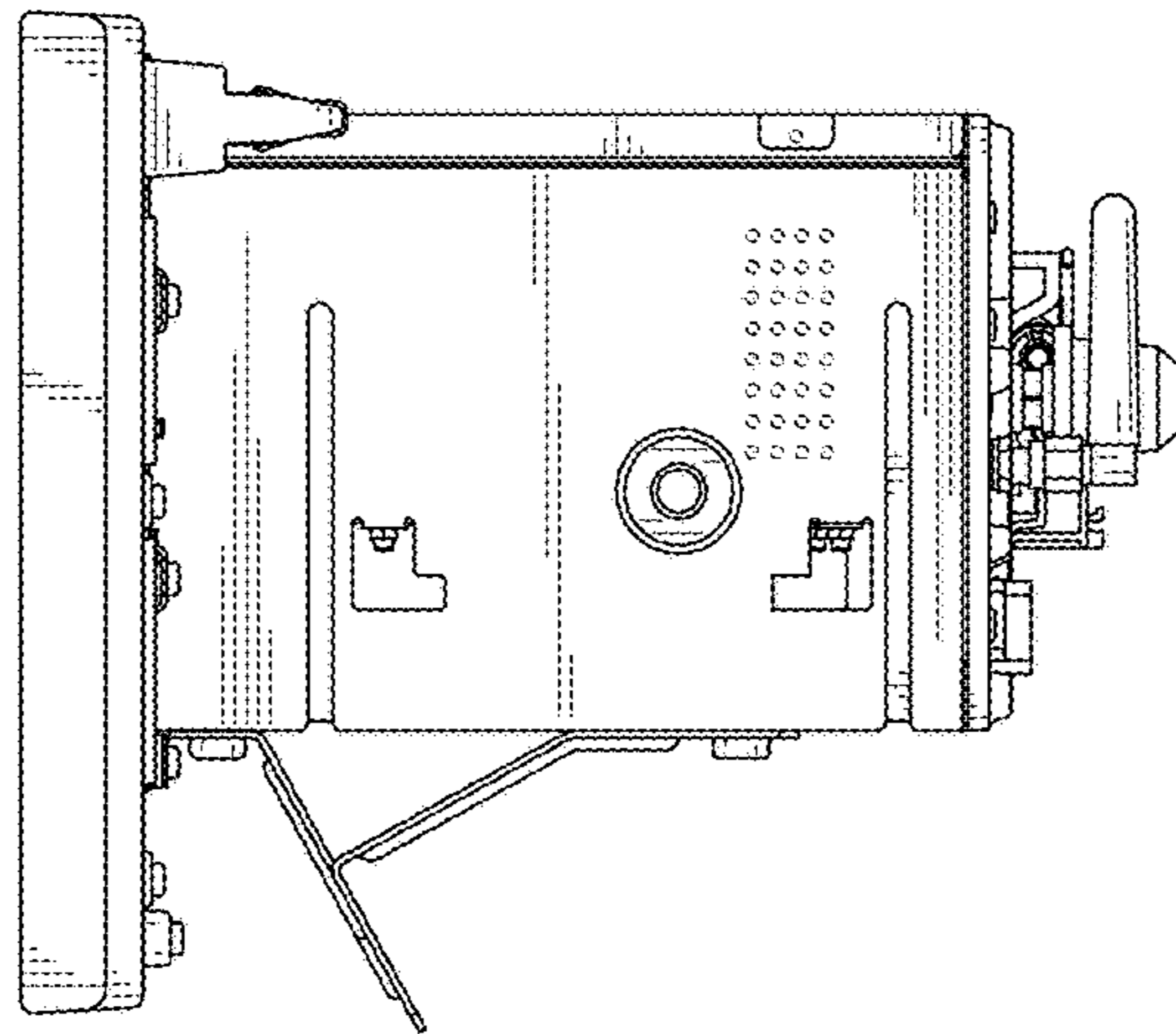


FIG. 6

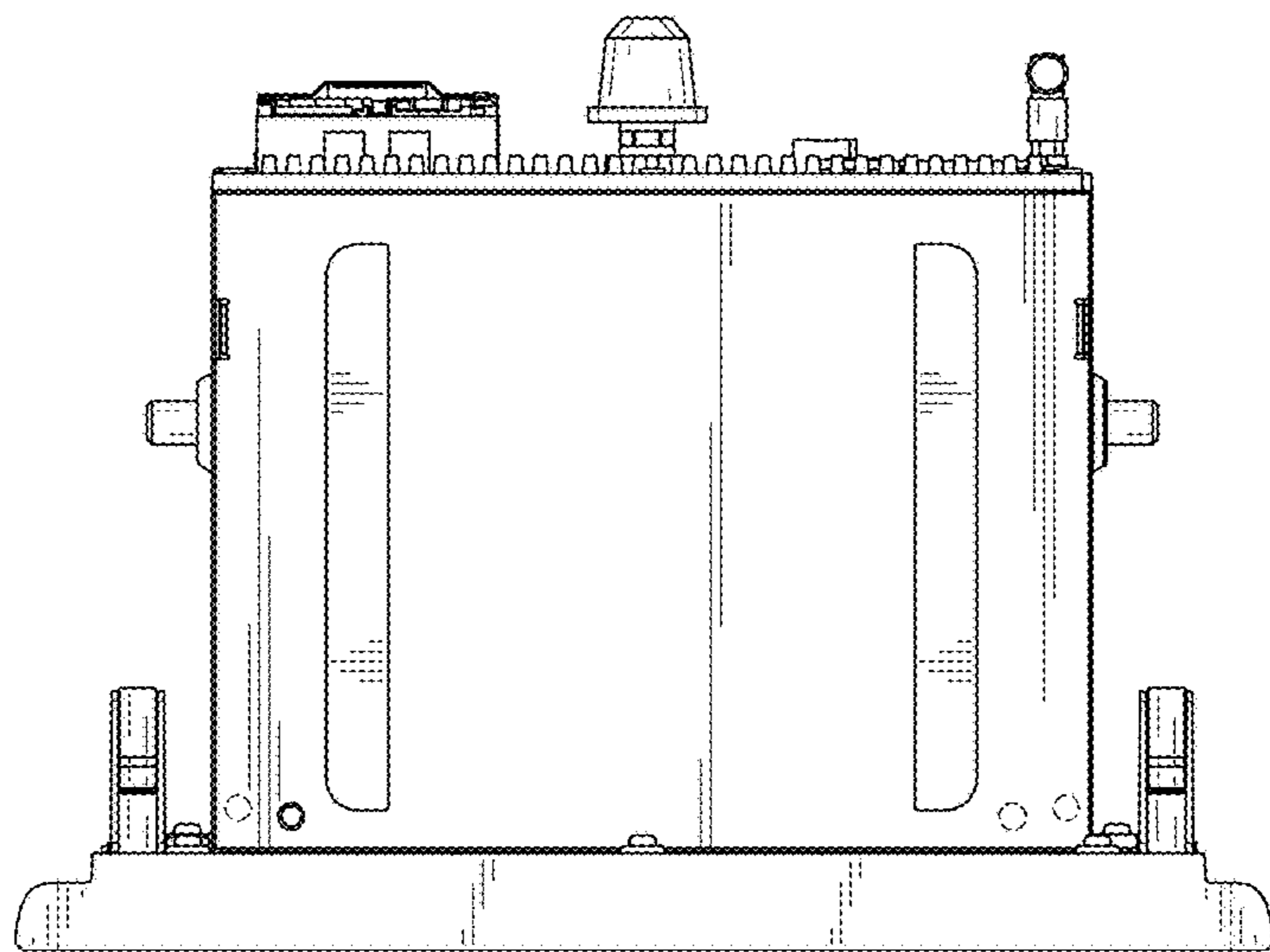


FIG. 7



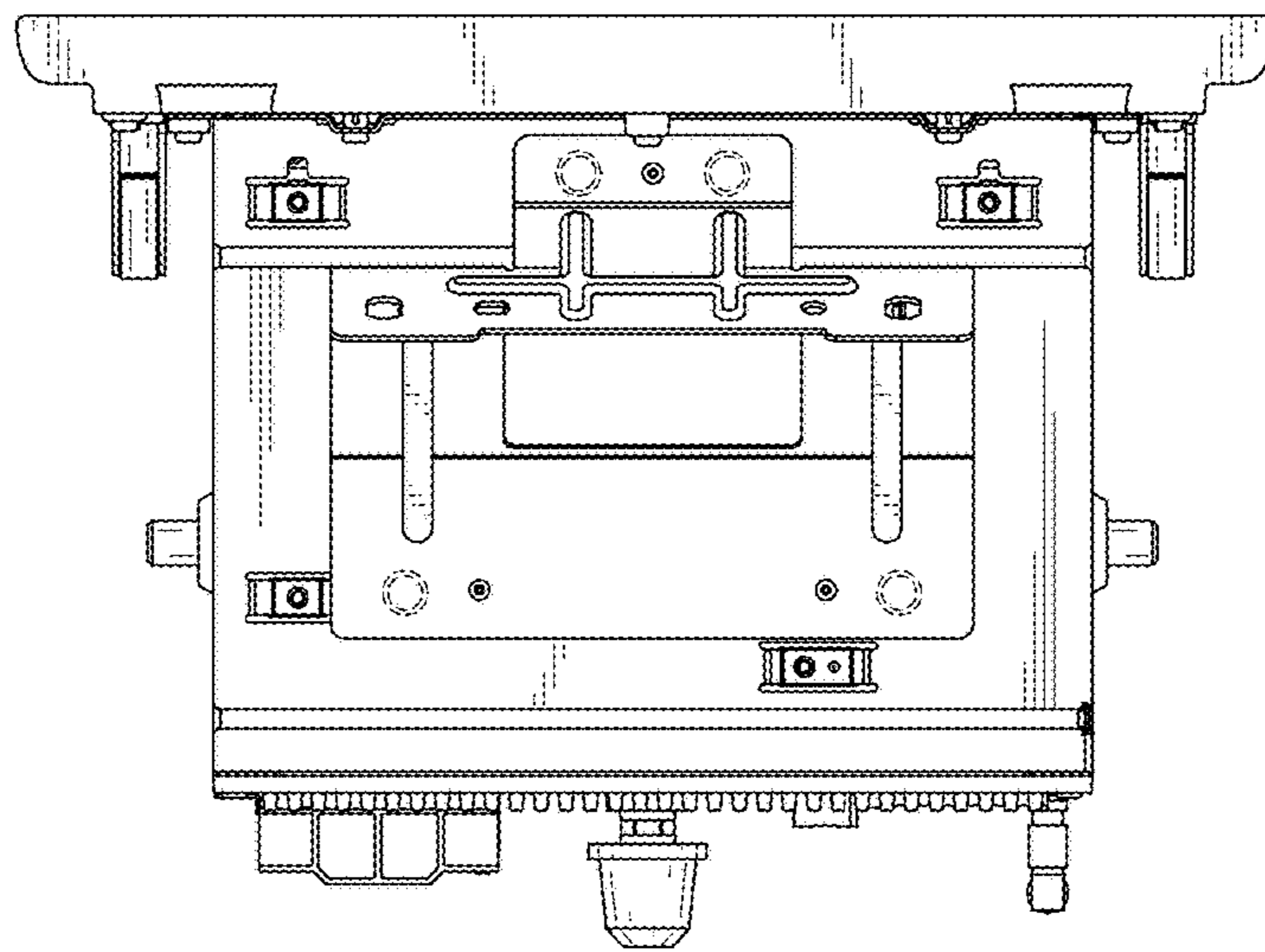


FIG. 8