



US00D849615S

(12) **United States Design Patent**
Nair et al.

(10) **Patent No.:** **US D849,615 S**

(45) **Date of Patent:** **** May 28, 2019**

(54) **INTEGRATED MULTI-CHANNEL ABS REAR AXLE BRAKE MODULE**

(71) Applicant: **WABCO Europe BVBA**, Brussels (BE)

(72) Inventors: **Sudhiv Nair**, Hannover (DE); **Dieter Steinfeld**, Hannover (DE); **Rafal Bialon**, Olawa (PL)

(73) Assignee: **WABCO EUROPE BVBA**, Brussels (BE)

(**) Term: **15 Years**

(21) Appl. No.: **29/584,072**

(22) Filed: **Nov. 11, 2016**

(30) **Foreign Application Priority Data**

Jul. 11, 2016 (CN) 2016 3 0313918

(51) **LOC (11) Cl.** **12-16**

(52) **U.S. Cl.**
USPC **D12/180**

(58) **Field of Classification Search**
USPC D12/114, 126, 127, 160, 180
CPC B60T 1/10; B60T 13/586; B60T 13/745;
B60T 13/683
See application file for complete search history.

(56) **References Cited**

U.S. PATENT DOCUMENTS

5,288,141 A * 2/1994 Isshiki B60T 8/344
303/119.1
D462,040 S * 8/2002 Ueno D12/180
D581,331 S * 11/2008 Stender D12/180
D584,666 S * 1/2009 Stender D12/180
D601,933 S * 10/2009 Schulz D12/180
D627,694 S * 11/2010 Schulz D12/180

D633,406 S * 3/2011 Magri D15/7
D648,251 S * 11/2011 Murayama D12/180
D688,273 S * 8/2013 Magri D15/7
D693,848 S * 11/2013 Stephan D15/5

* cited by examiner

Primary Examiner — Robert M. Spear

(74) *Attorney, Agent, or Firm* — Leydig, Voit & Mayer, Ltd.

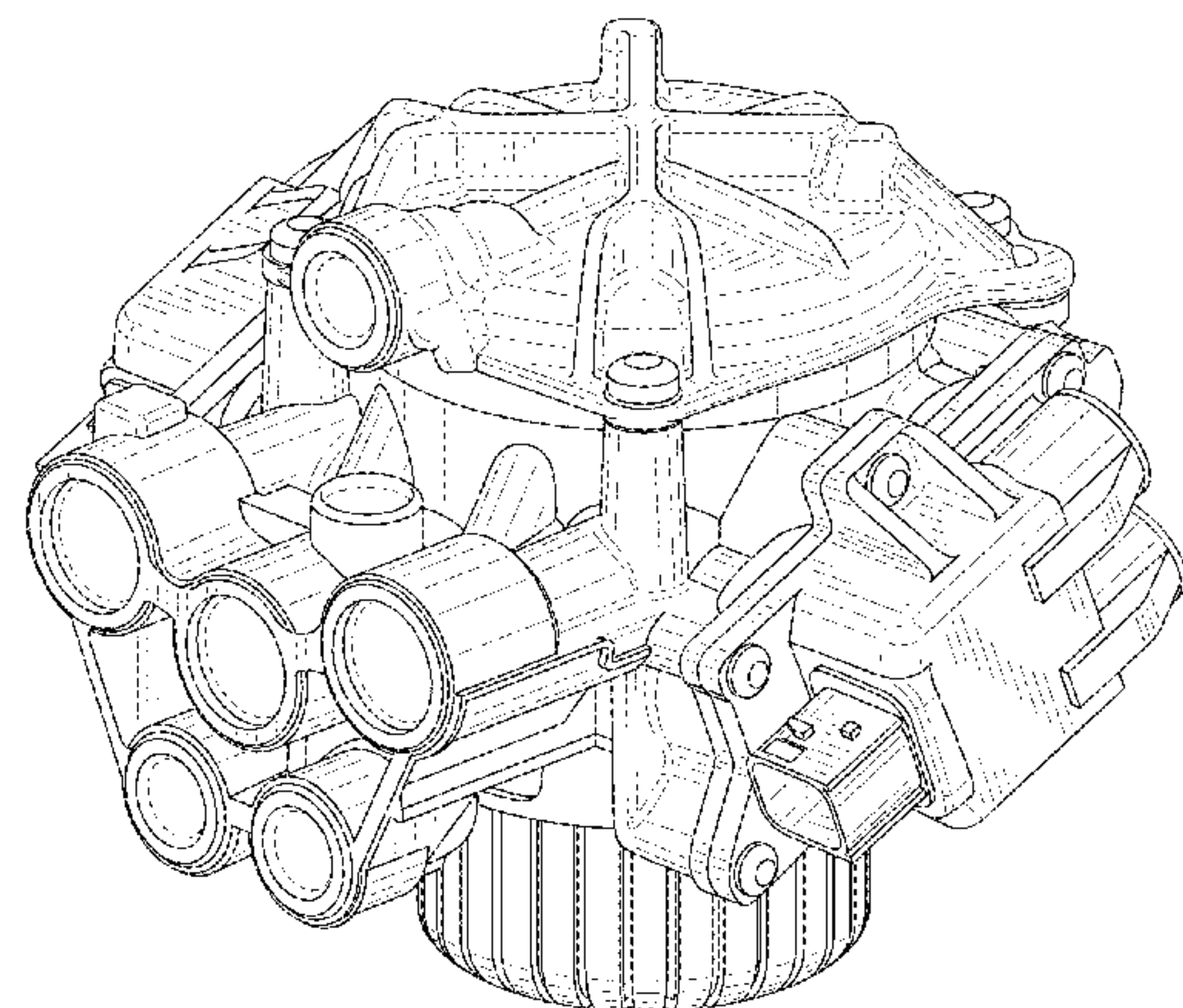
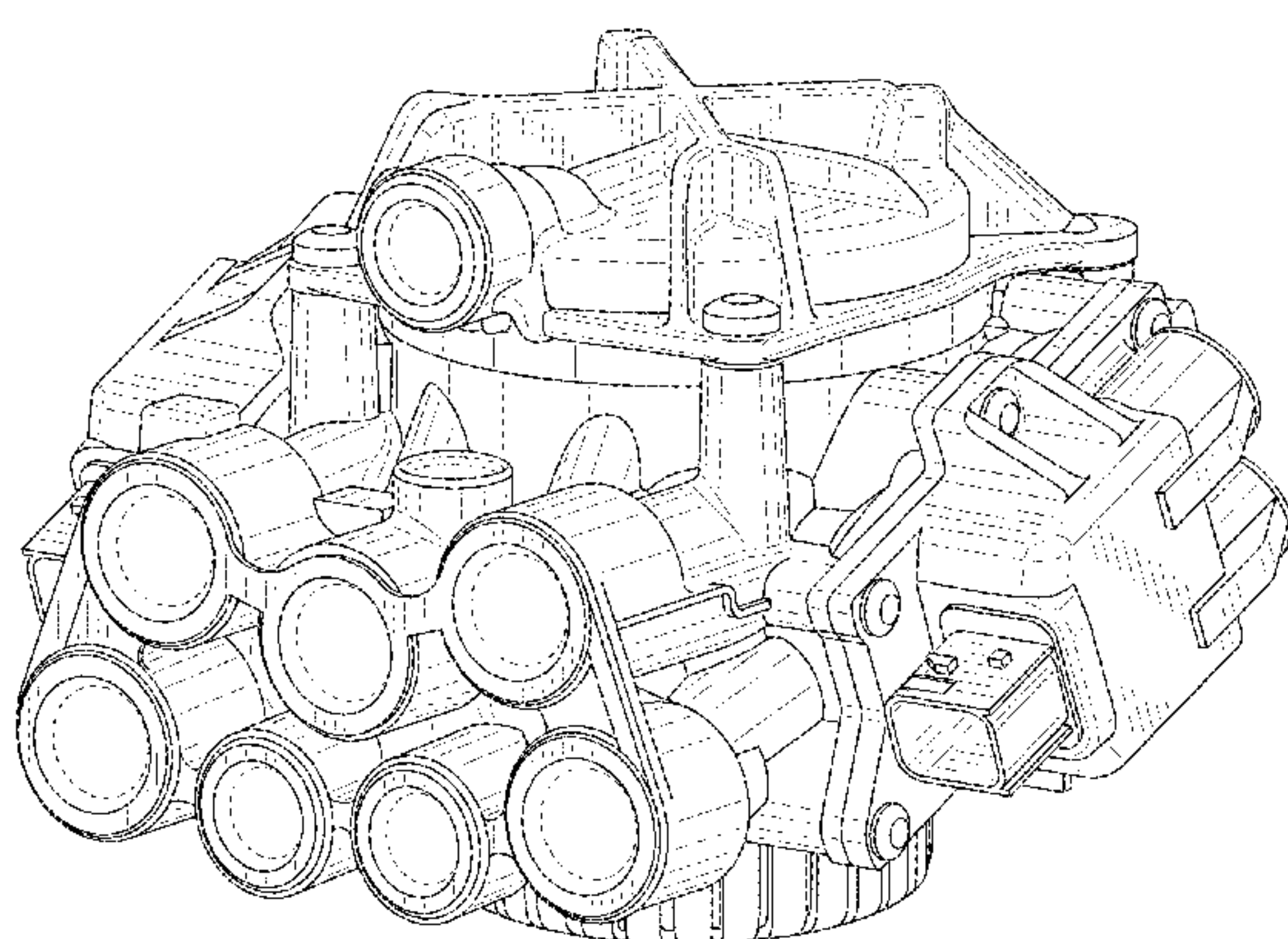
(57) **CLAIM**

The ornamental design for an integrated multi-channel ABS rear axle brake module, as shown and described.

DESCRIPTION

FIG. 1 is a top right front perspective view of a first embodiment of the integrated multi-channel ABS rear axle brake module showing our new design; FIG. 2 is a front elevational view thereof; FIG. 3 is a rear elevational view thereof; FIG. 4 is a left side elevational view thereof; FIG. 5 is a right side elevational view thereof; FIG. 6 is a bottom plan view thereof; FIG. 7 is a top plan view thereof; FIG. 8 is a top right front perspective view of a second embodiment of the integrated multi-channel ABS rear axle brake module showing our new design; FIG. 9 is a front elevational view thereof; FIG. 10 is a rear elevational view thereof; FIG. 11 is a left side elevational view thereof; FIG. 12 is a right side elevational view thereof; FIG. 13 is a top plan view thereof; and, FIG. 14 is a bottom plan view thereof. The broken lines showing of openings depicts environment and forms no part of the claim.

1 Claim, 14 Drawing Sheets



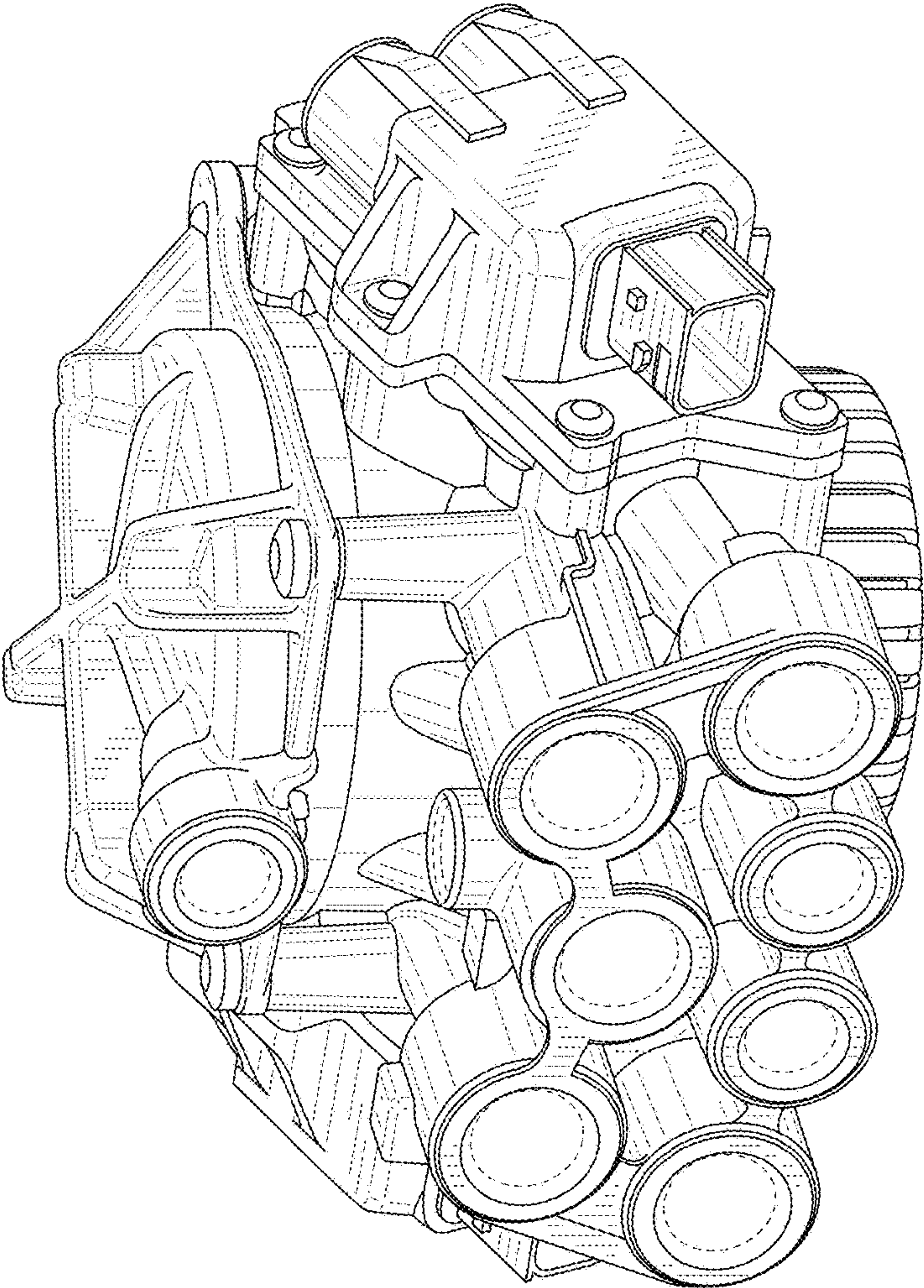


FIG. 1

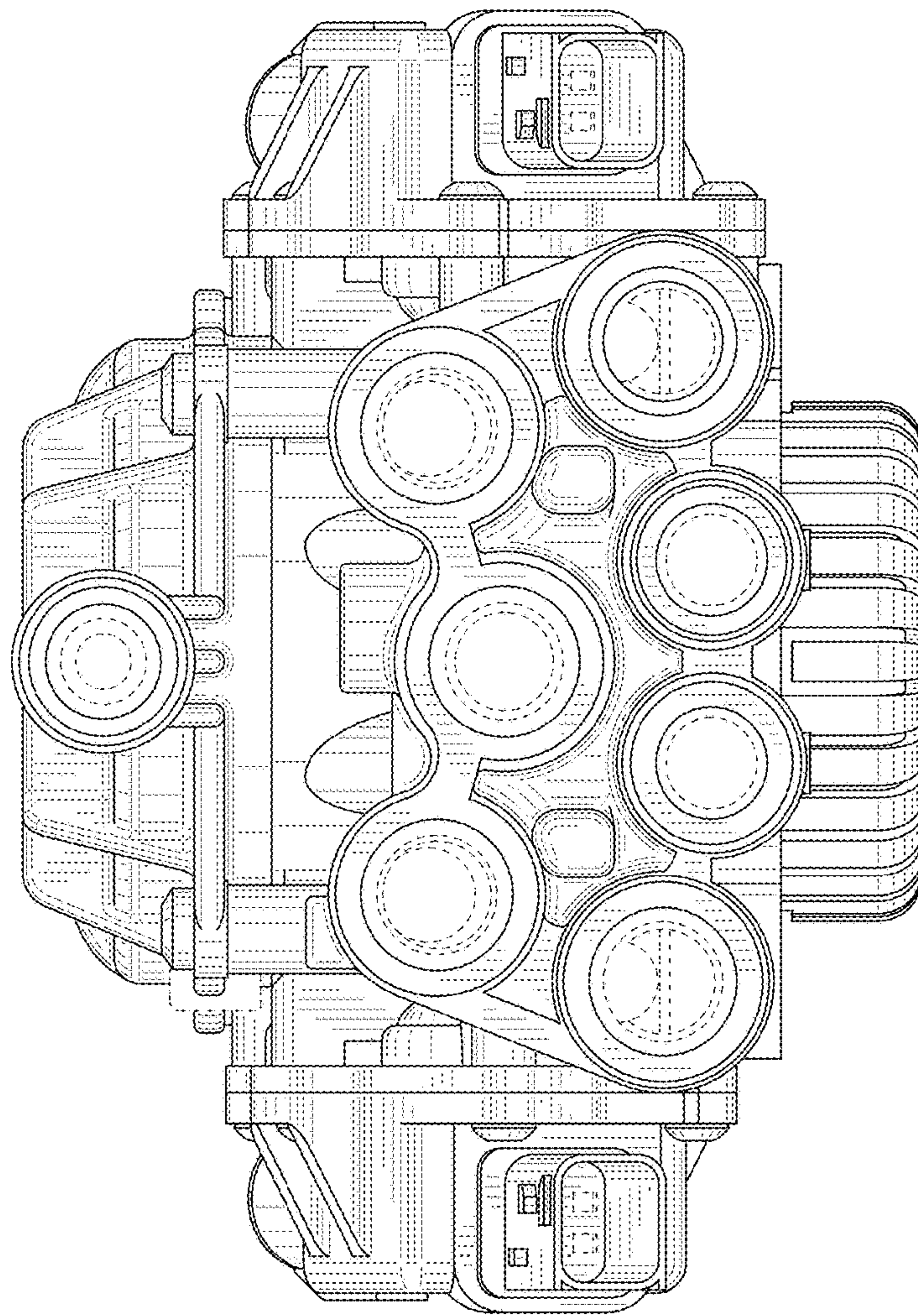


FIG. 2

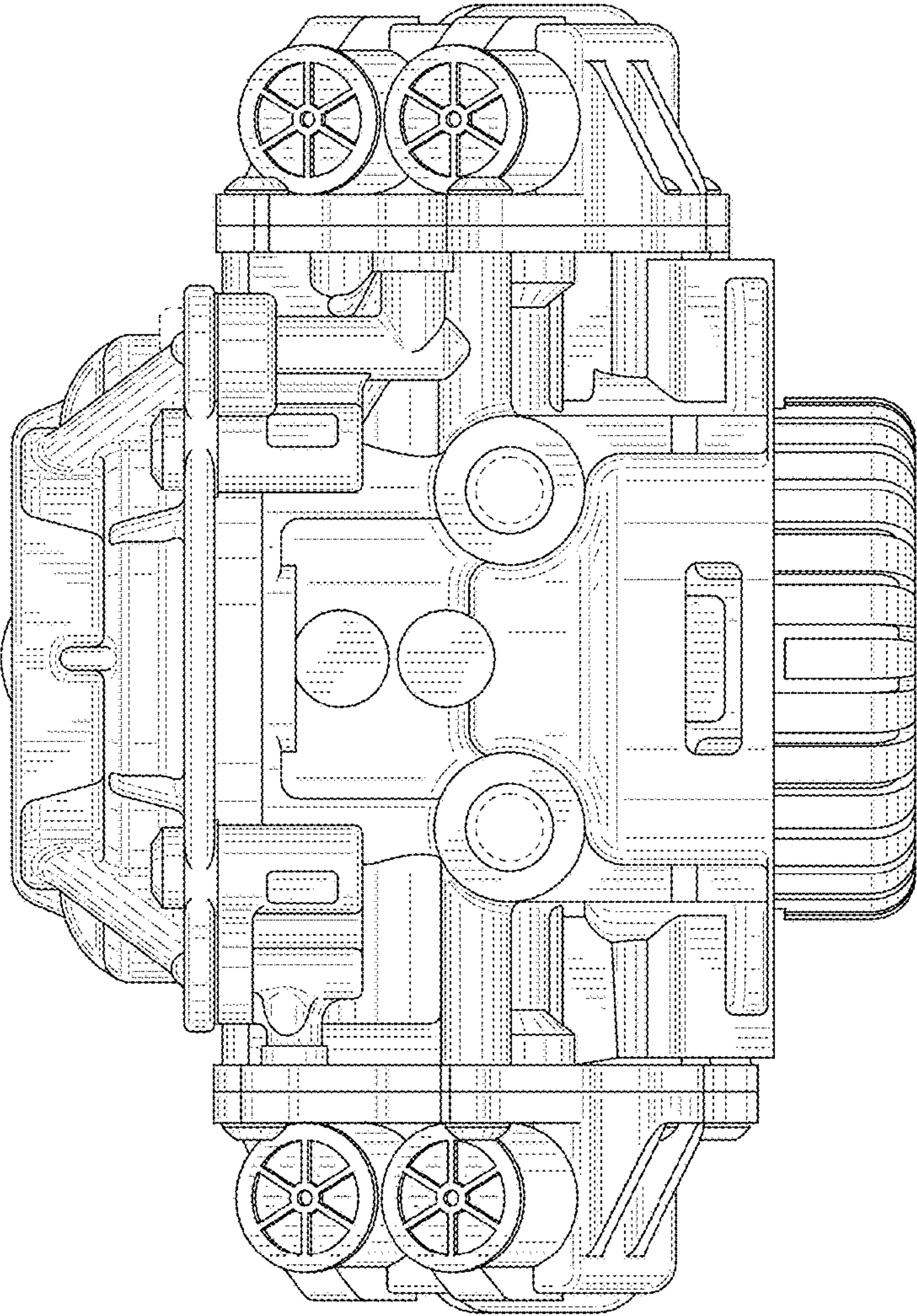


FIG. 3

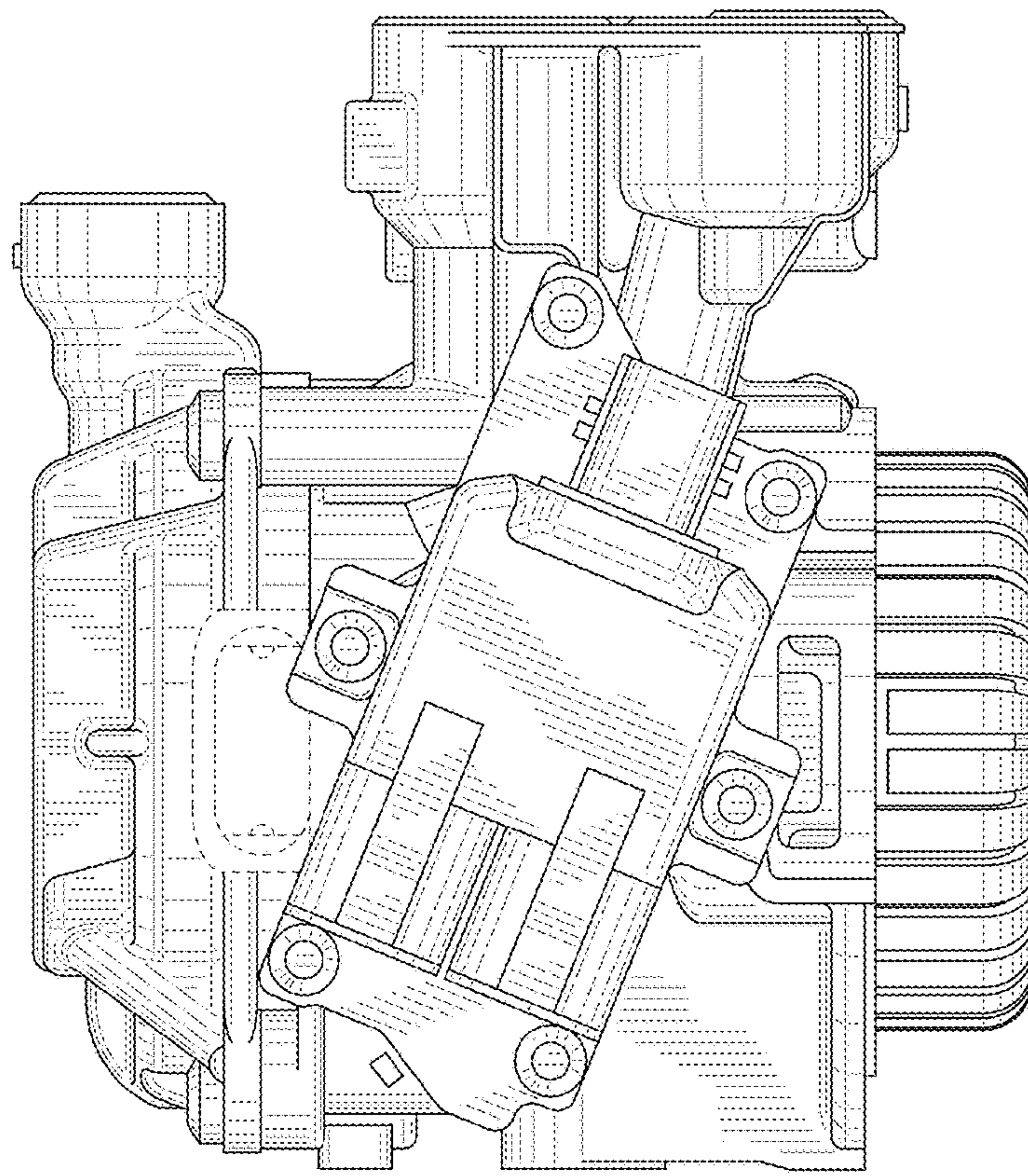


FIG. 4

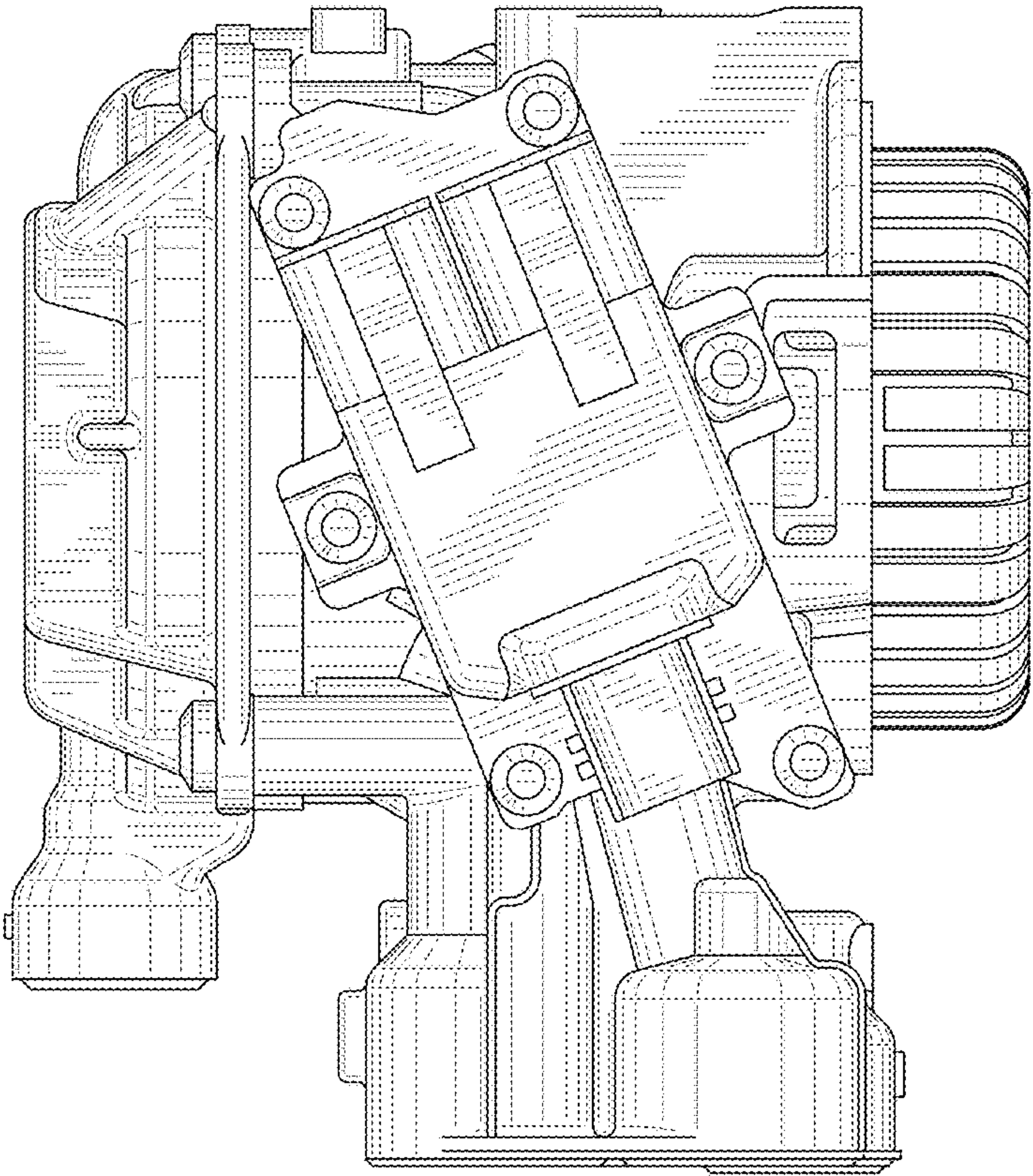


FIG. 5

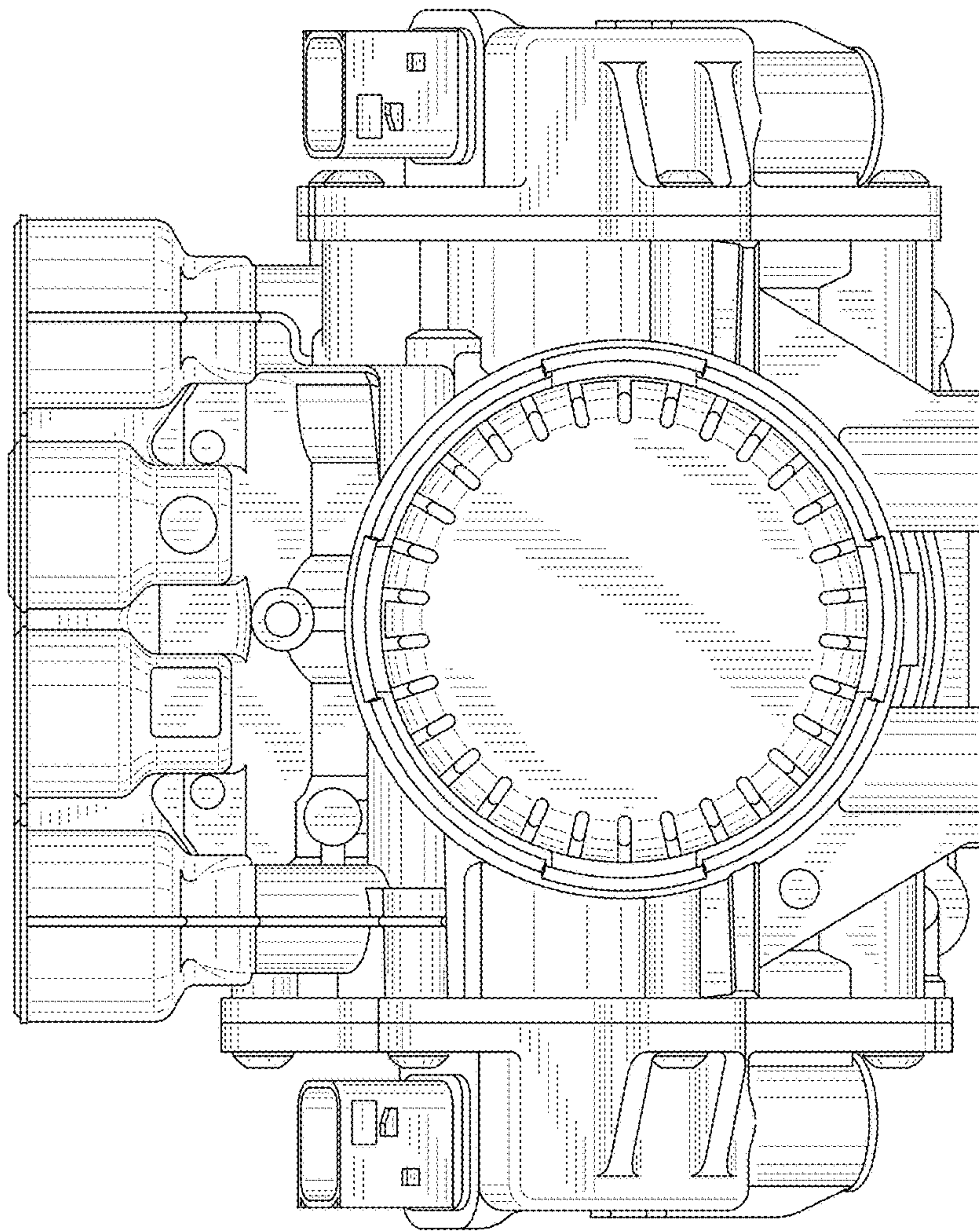


FIG. 6

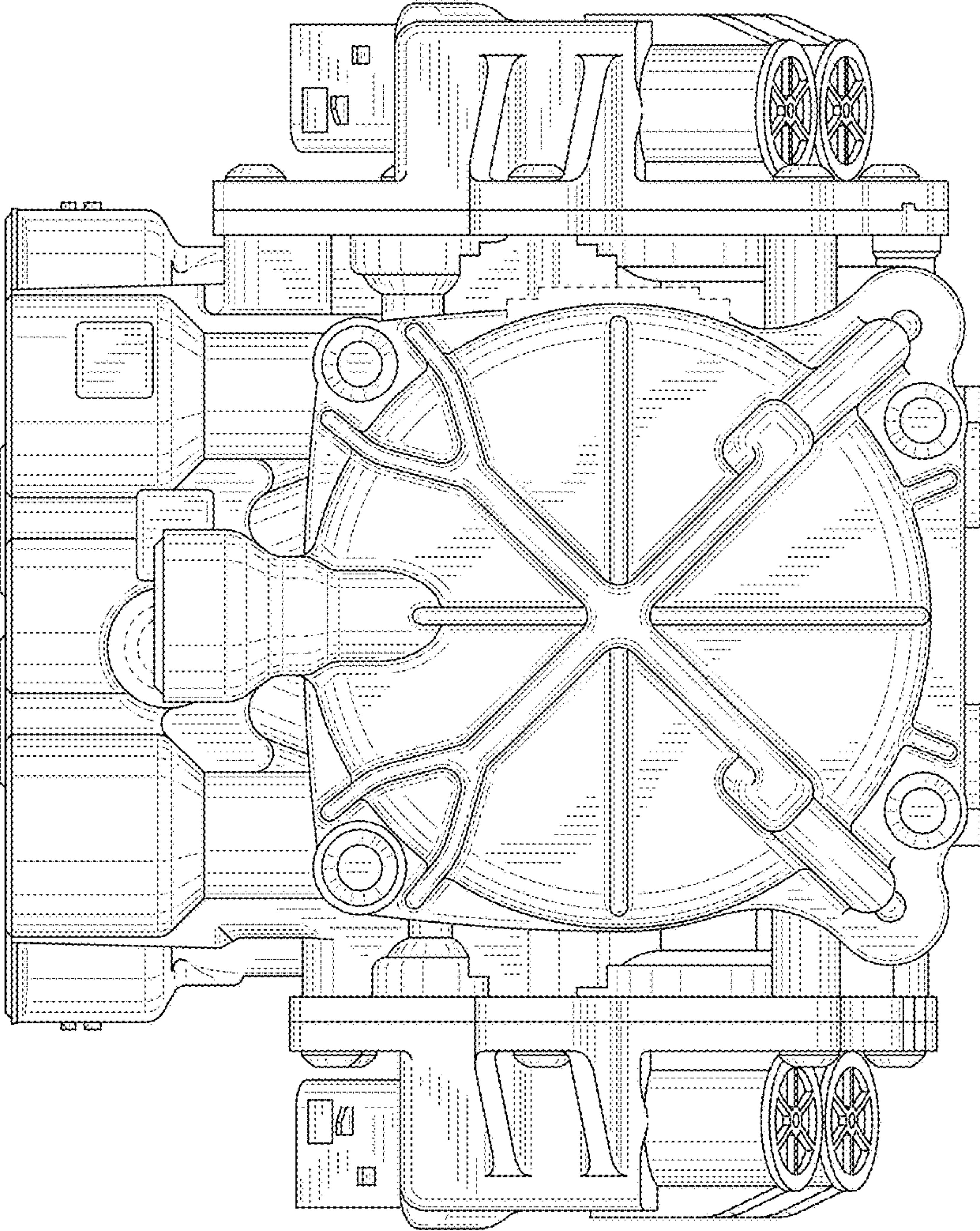


FIG. 7

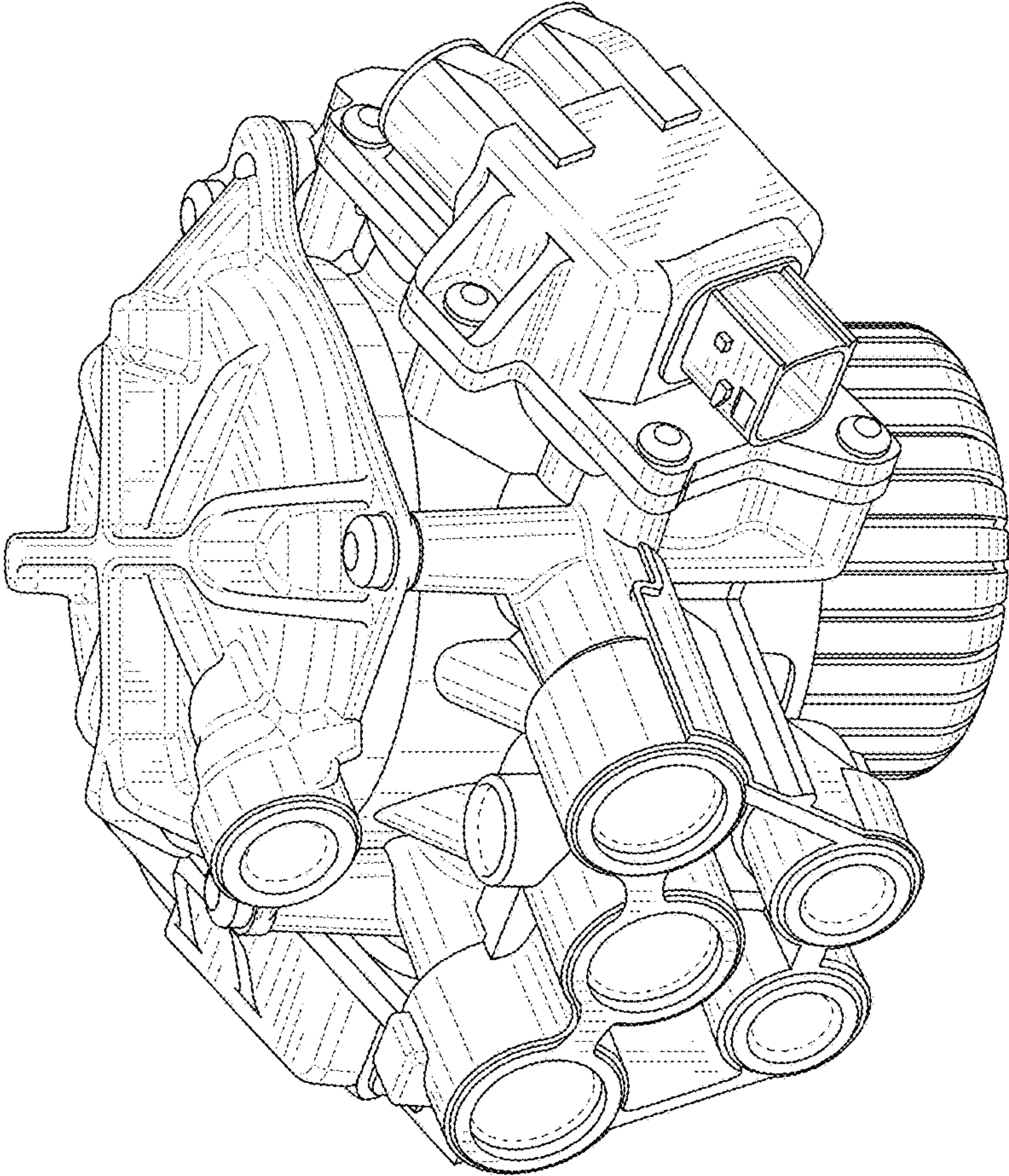


FIG. 8

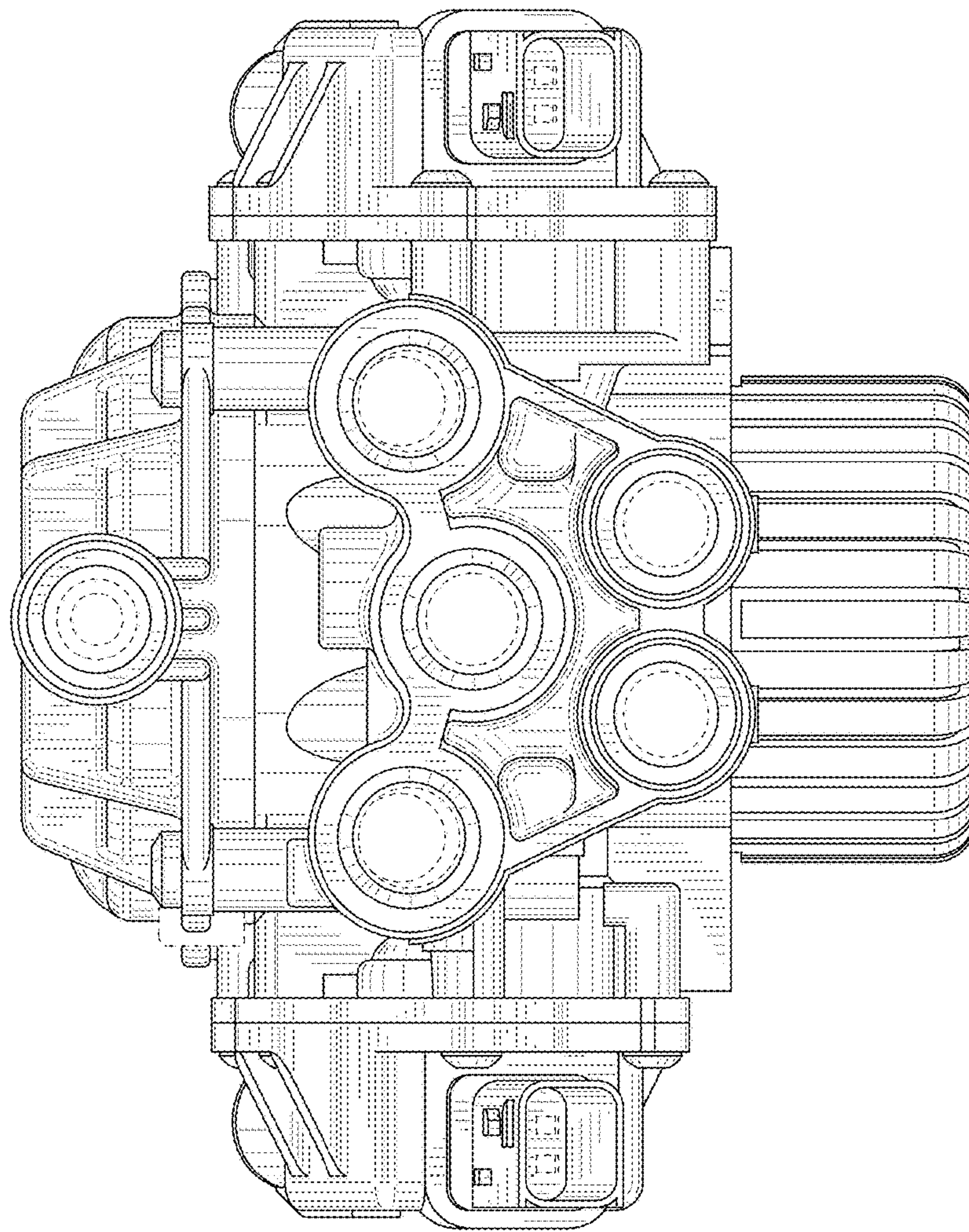


FIG. 9

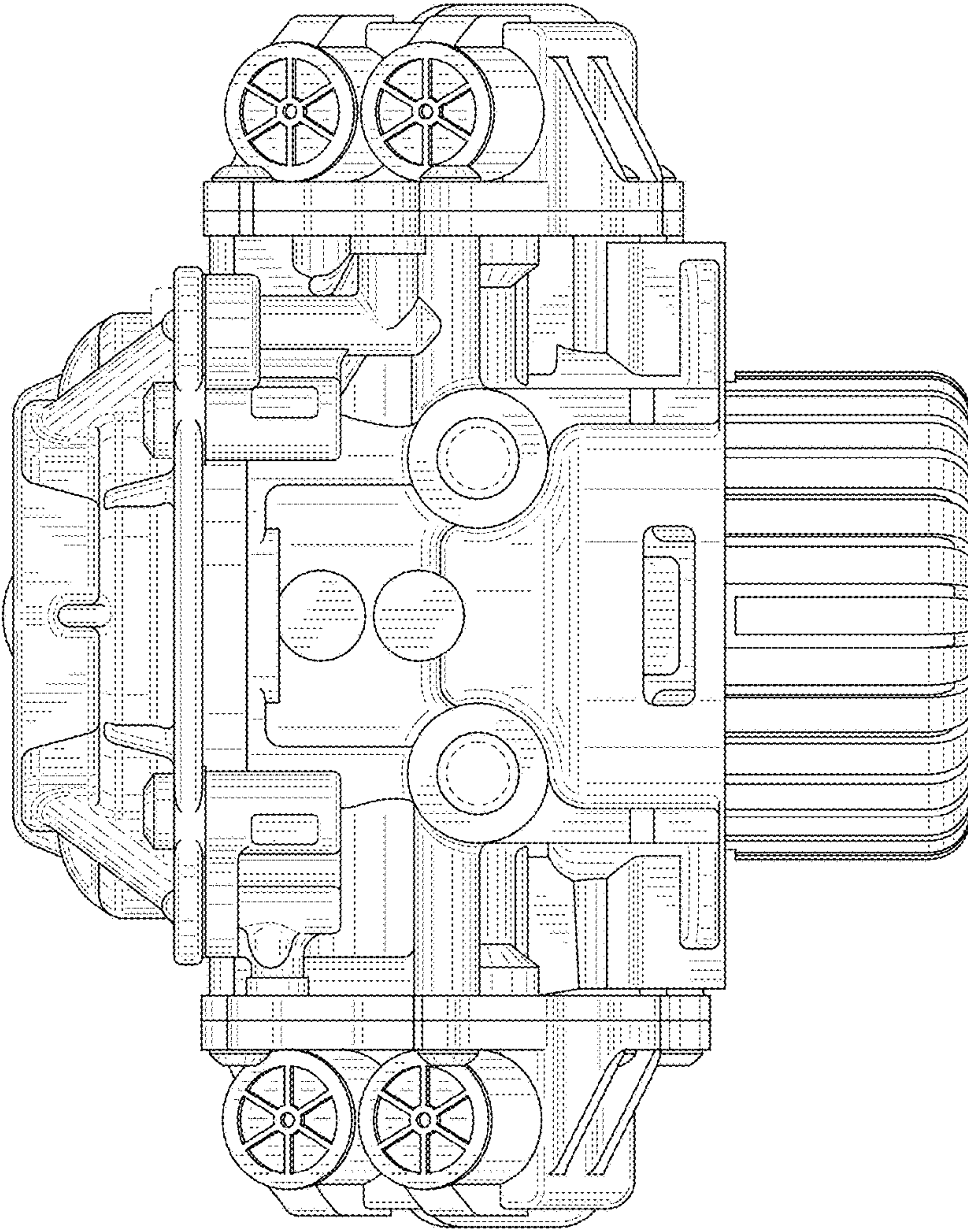


FIG. 10

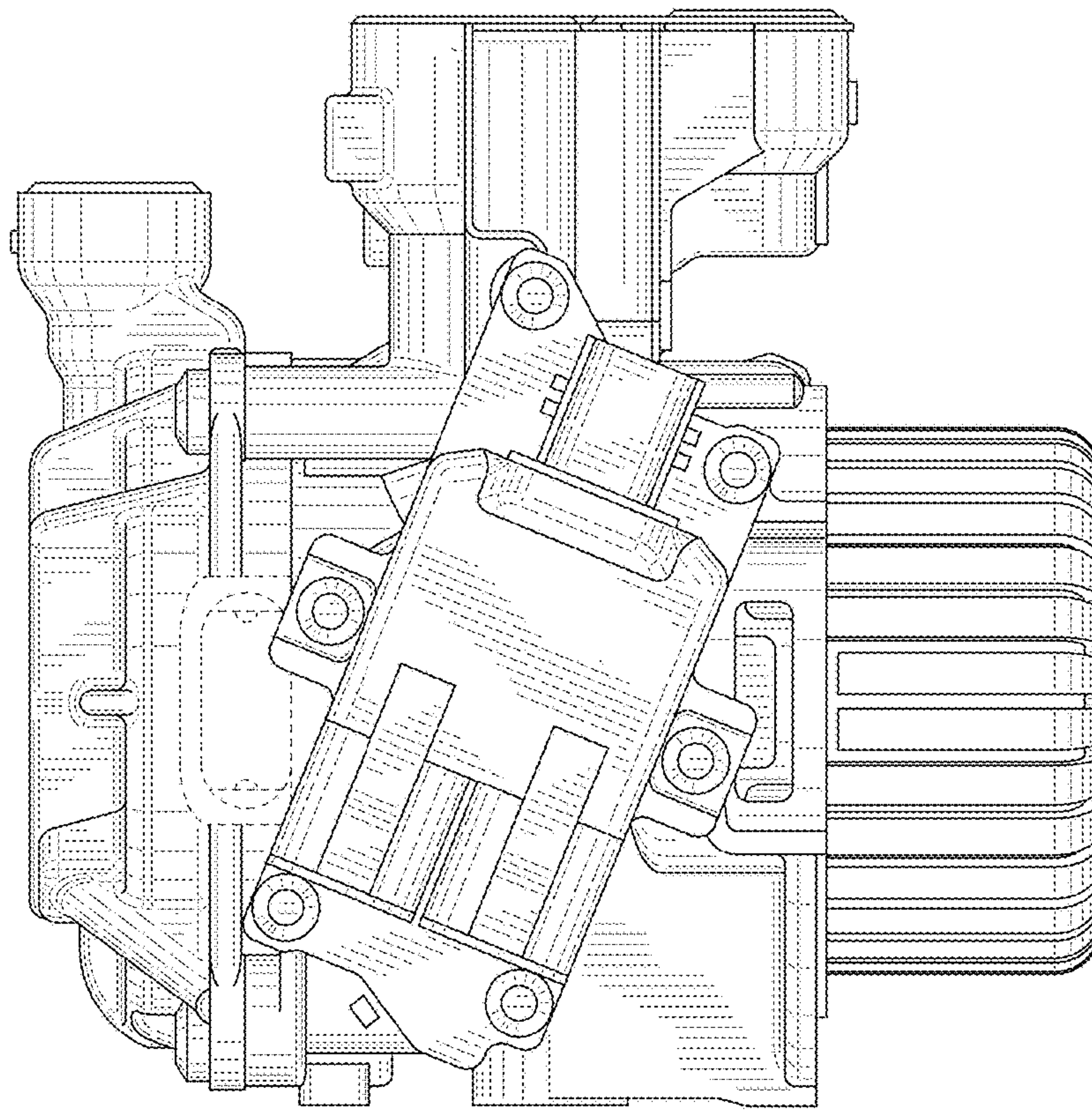


FIG. 11

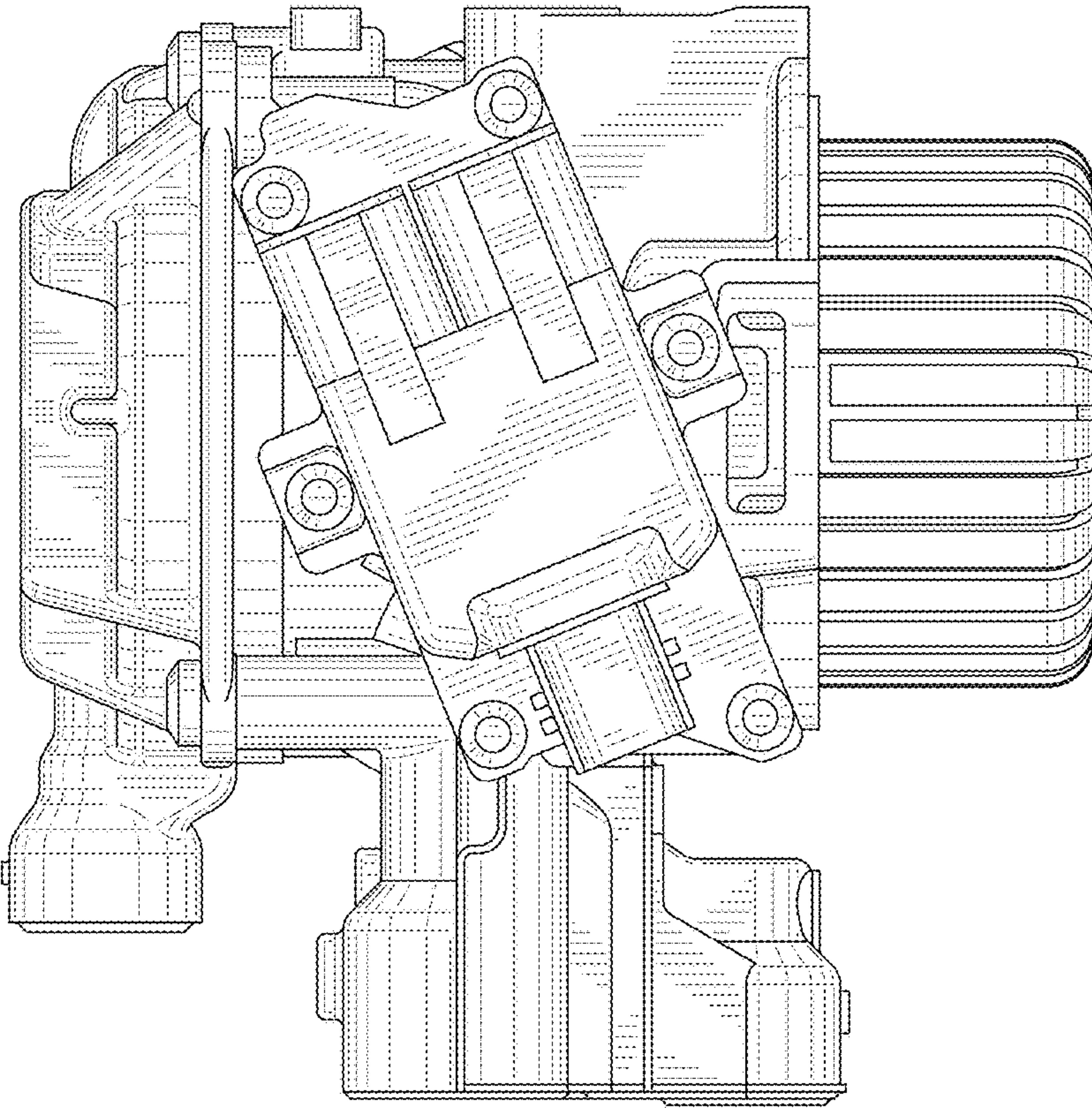


FIG. 12

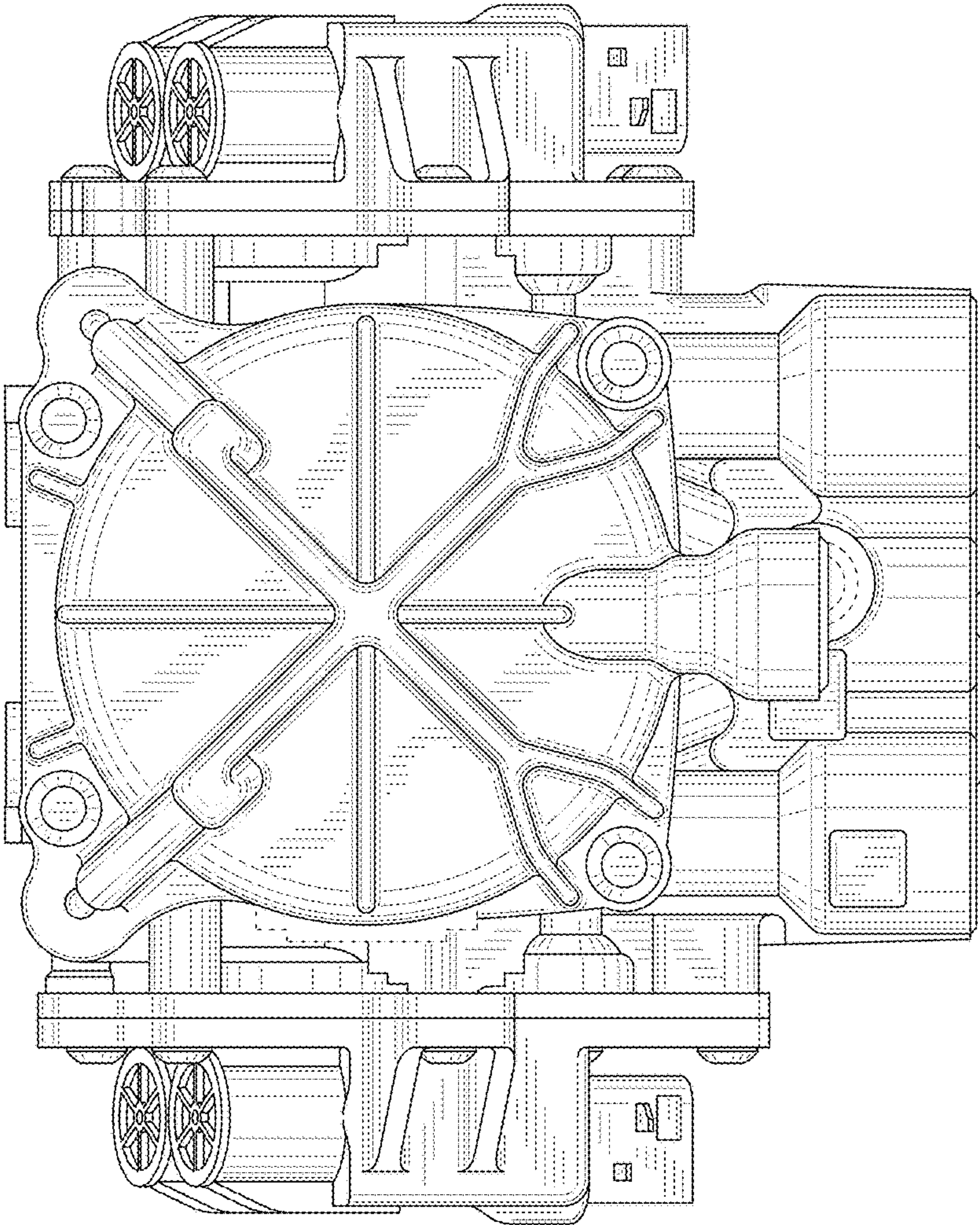


FIG. 13

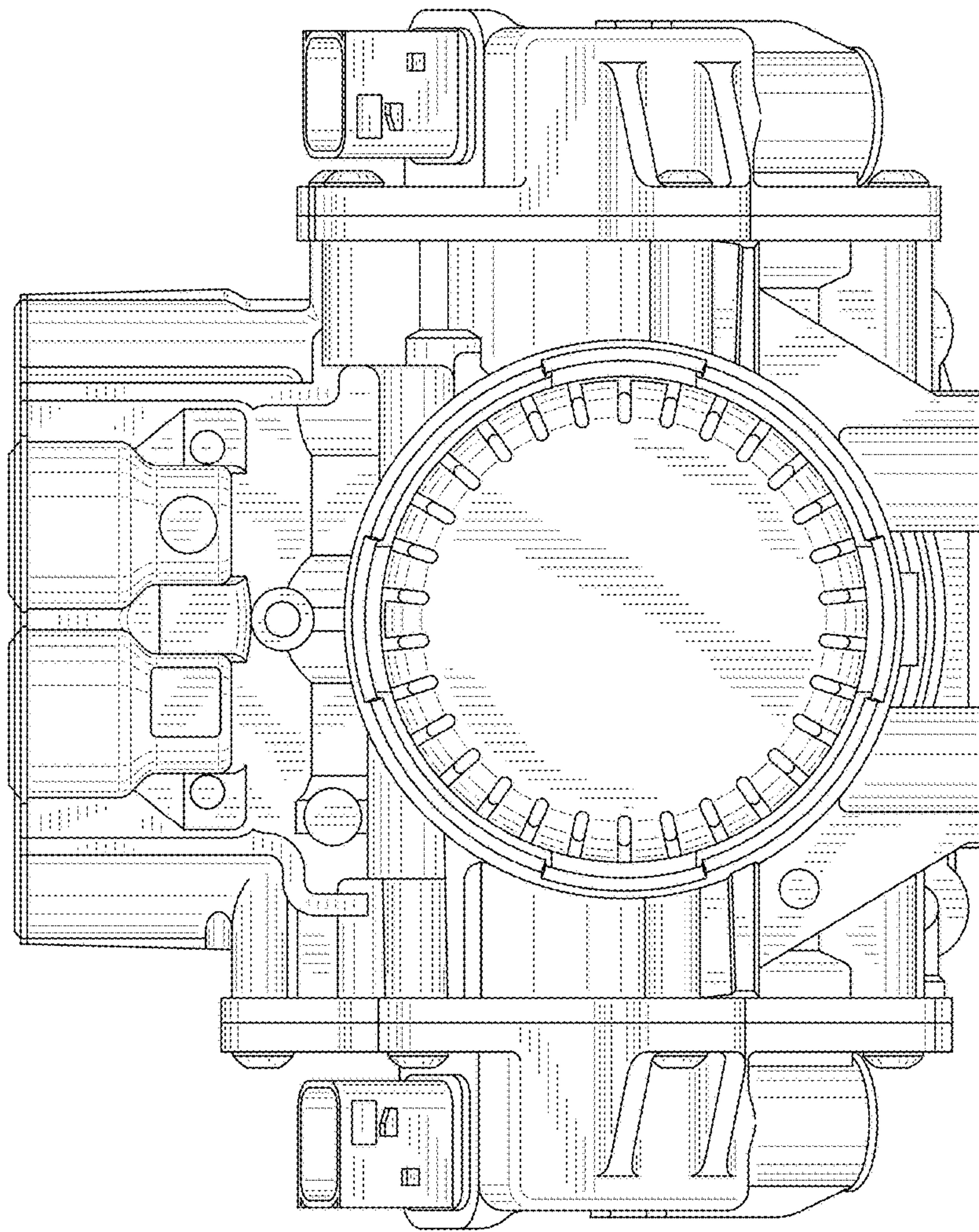


FIG. 14