

US00D849614S

(12) **United States Design Patent**
Crowl

(10) **Patent No.:** **US D849,614 S**

(45) **Date of Patent:** **** May 28, 2019**

- (54) **PUSH BAR FOR VEHICLE**
- (71) Applicant: **Zac Crowl**, Batesville, AR (US)
- (72) Inventor: **Zac Crowl**, Batesville, AR (US)
- (**) Term: **15 Years**
- (21) Appl. No.: **29/622,471**
- (22) Filed: **Oct. 17, 2017**
- (51) **LOC (11) Cl.** **12-16**
- (52) **U.S. Cl.**
USPC **D12/171**
- (58) **Field of Classification Search**
USPC D12/86, 90, 91, 92, 163, 164, 169, 171,
D12/196, 216
CPC B60R 19/02; B60R 19/18; B60R 19/24;
B60R 19/56; B60R 2019/007; B62D
25/0845
See application file for complete search history.

- 7,703,834 B1 * 4/2010 Hardy B60R 9/06
296/102
- D716,201 S * 10/2014 Ewing D12/171
- D724,505 S * 3/2015 Schroeder D12/171
- D743,856 S * 11/2015 Ma D12/171
- D785,504 S * 5/2017 Higgs D12/91
- D788,827 S * 6/2017 Okuyama D15/28
- D809,684 S * 2/2018 Wymore D26/34
- D810,639 S * 2/2018 Li D12/171
- D811,967 S * 3/2018 Brown D12/171

* cited by examiner

Primary Examiner — Darlington Ly

(74) *Attorney, Agent, or Firm* — Keisling & Pieper PLC;
Trent C. Keisling

(57) **CLAIM**

The ornamental design for a push bar for vehicle, as shown and described.

DESCRIPTION

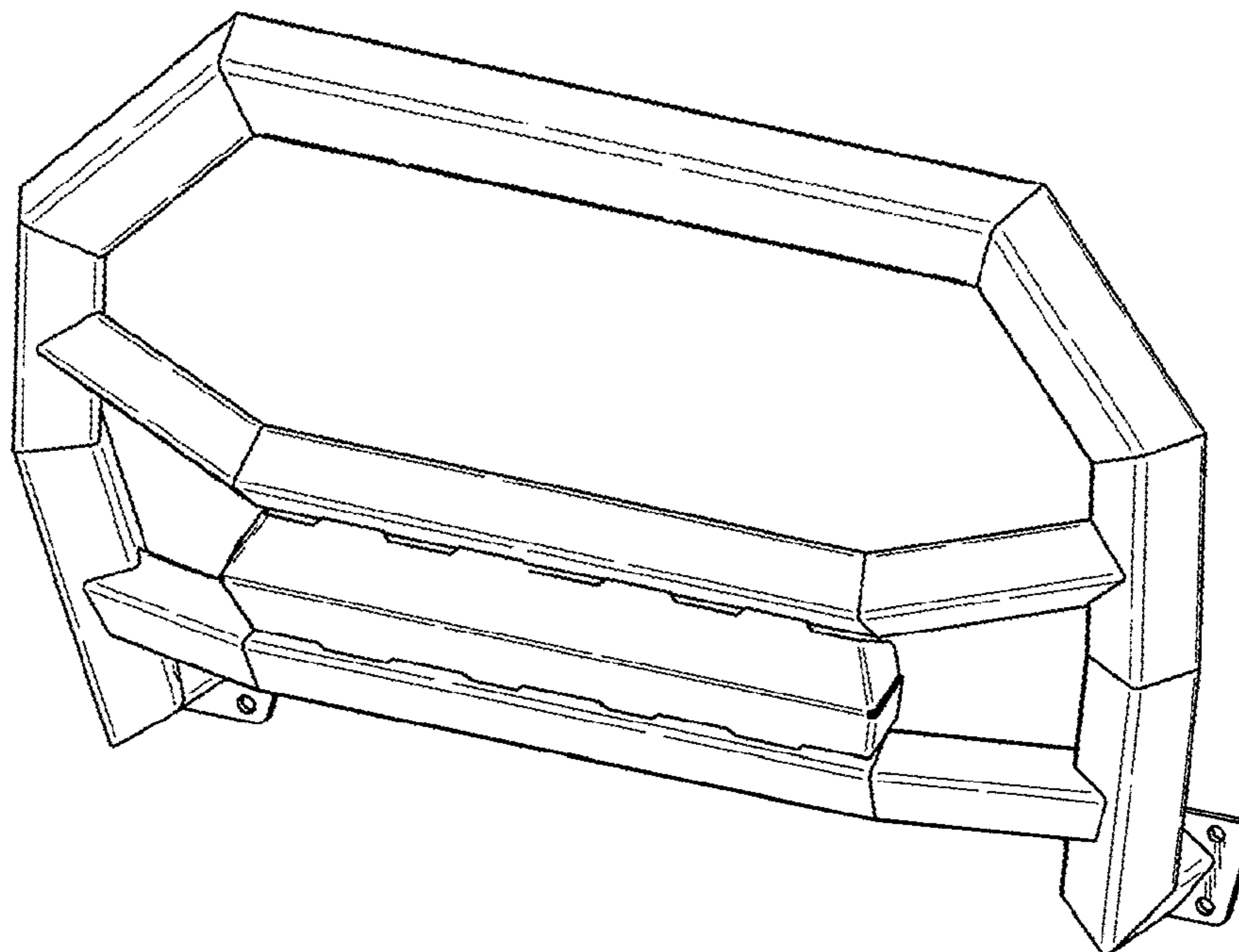
FIG. 1 is a perspective view taken generally from the front; FIG. 2 is a perspective view taken generally from the back thereof; FIG. 3 is an elevational view taken from the front thereof; FIG. 4 is an elevational view taken from the left side thereof; FIG. 5 is an elevational view taken from the right side thereof; FIG. 6 is a top plan view thereof; FIG. 7 is a bottom plan view thereof; and, FIG. 8 is an elevational view taken from the back thereof.

1 Claim, 2 Drawing Sheets

(56) **References Cited**

U.S. PATENT DOCUMENTS

- D300,128 S * 3/1989 Brennan D12/169
- D388,042 S * 12/1997 Thorne D12/171
- D410,879 S * 6/1999 Orth, Sr. D12/171
- D416,219 S * 11/1999 Waagenaar D12/171
- D420,962 S * 2/2000 Chevalier D12/171
- D425,462 S * 5/2000 Ujiie D12/171
- D517,963 S * 3/2006 Potak D12/171
- D527,696 S * 9/2006 Ichikawa D12/171
- D532,348 S * 11/2006 Kudo D12/171
- D580,322 S * 11/2008 Schroeder D12/107



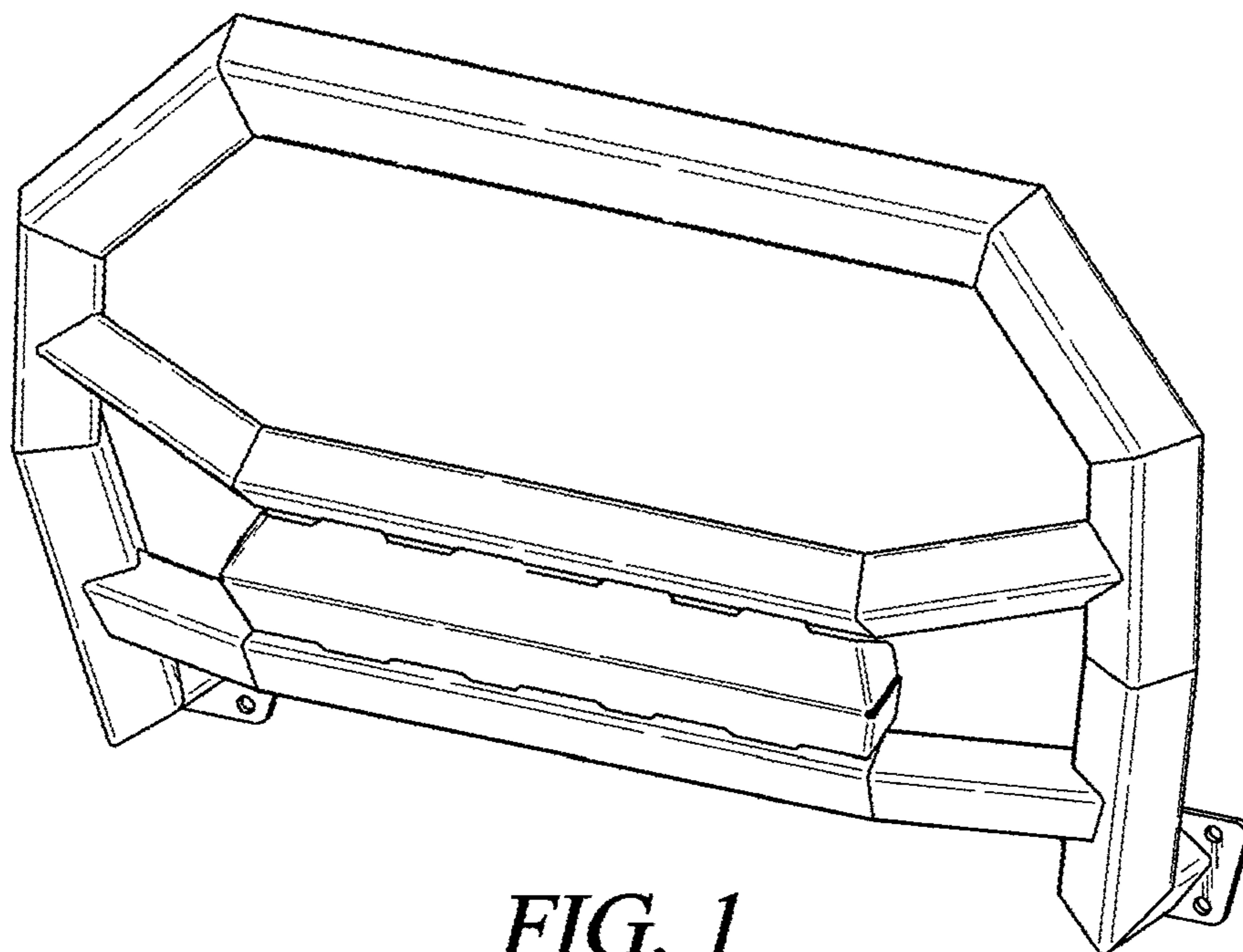


FIG. 1

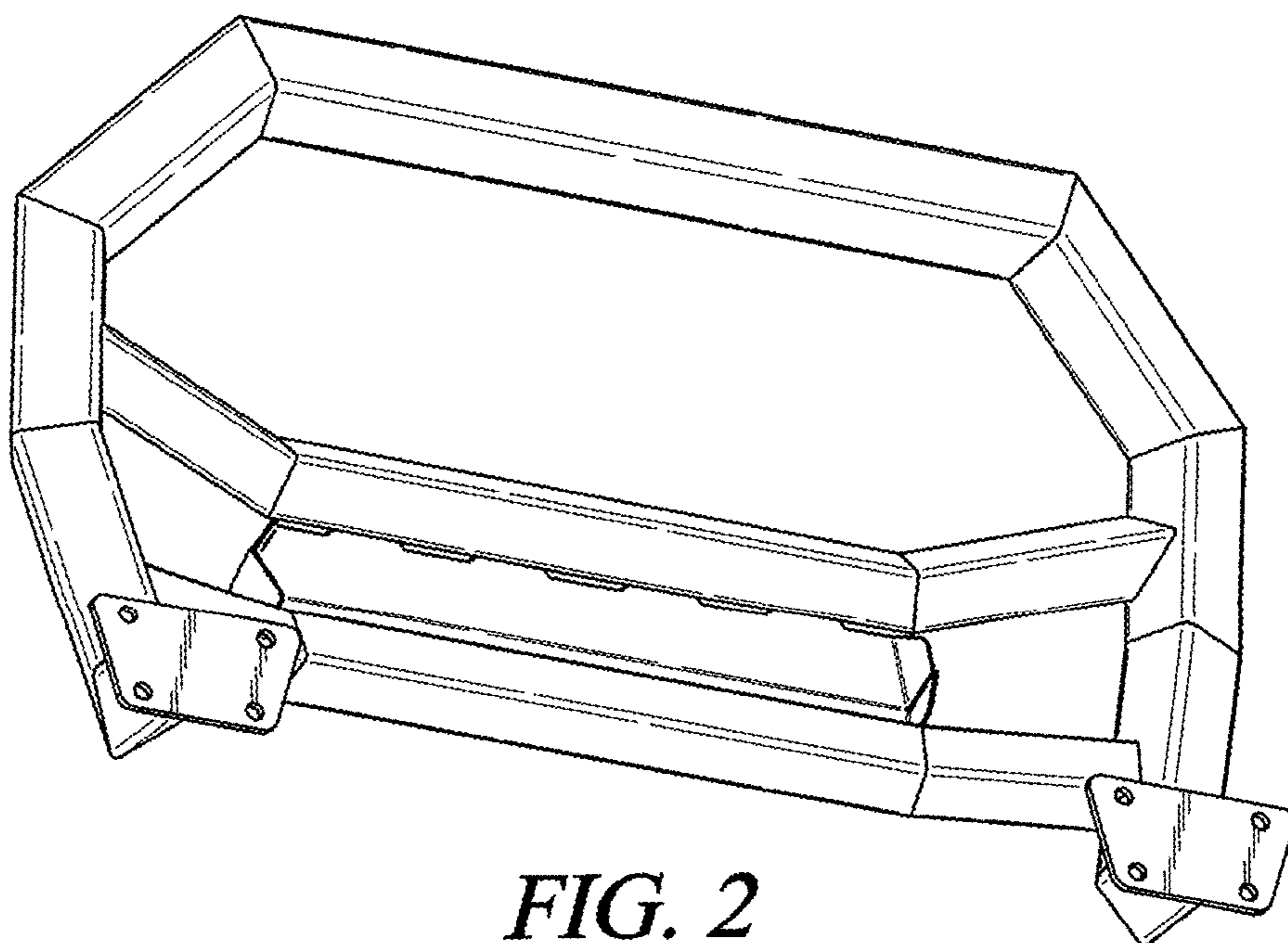


FIG. 2

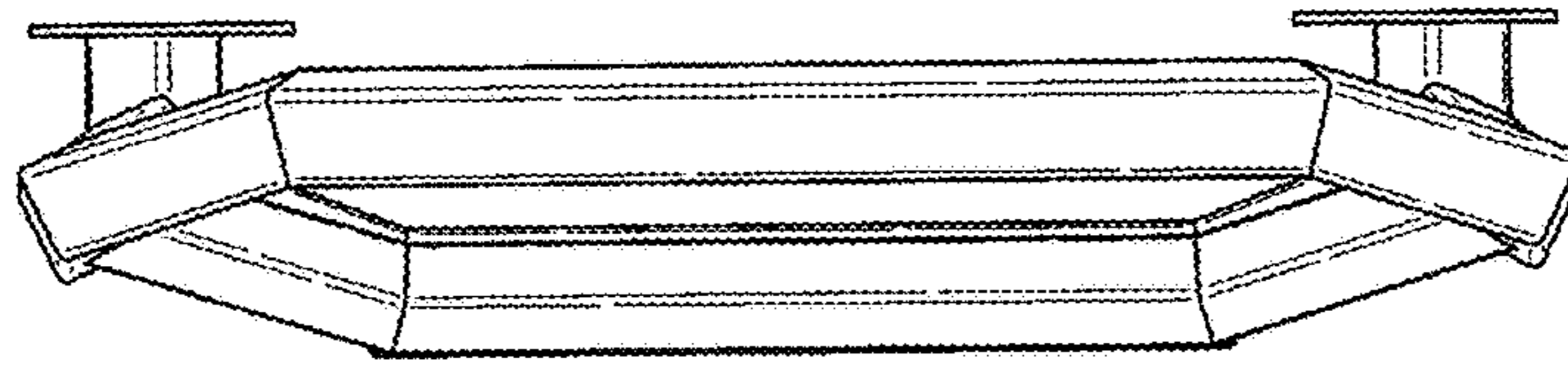


FIG. 6

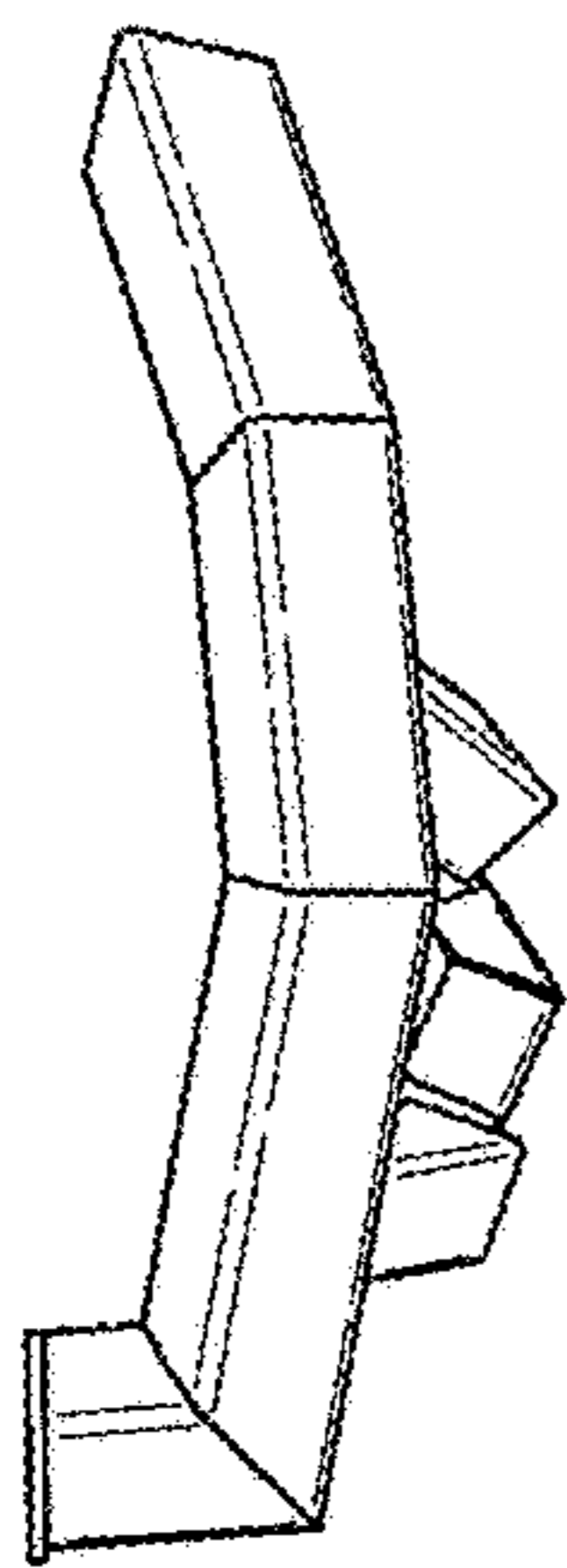


FIG. 4

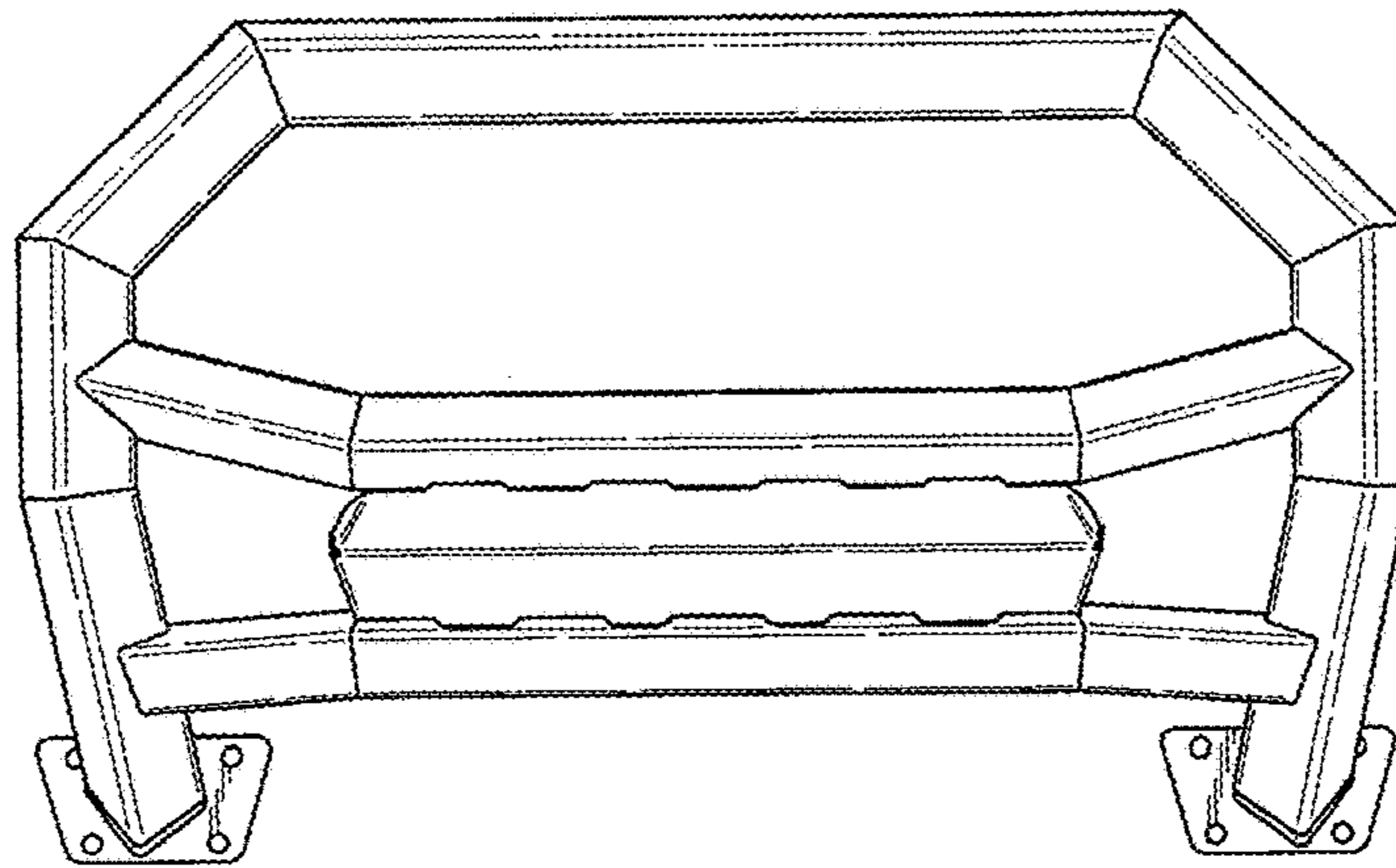


FIG. 3

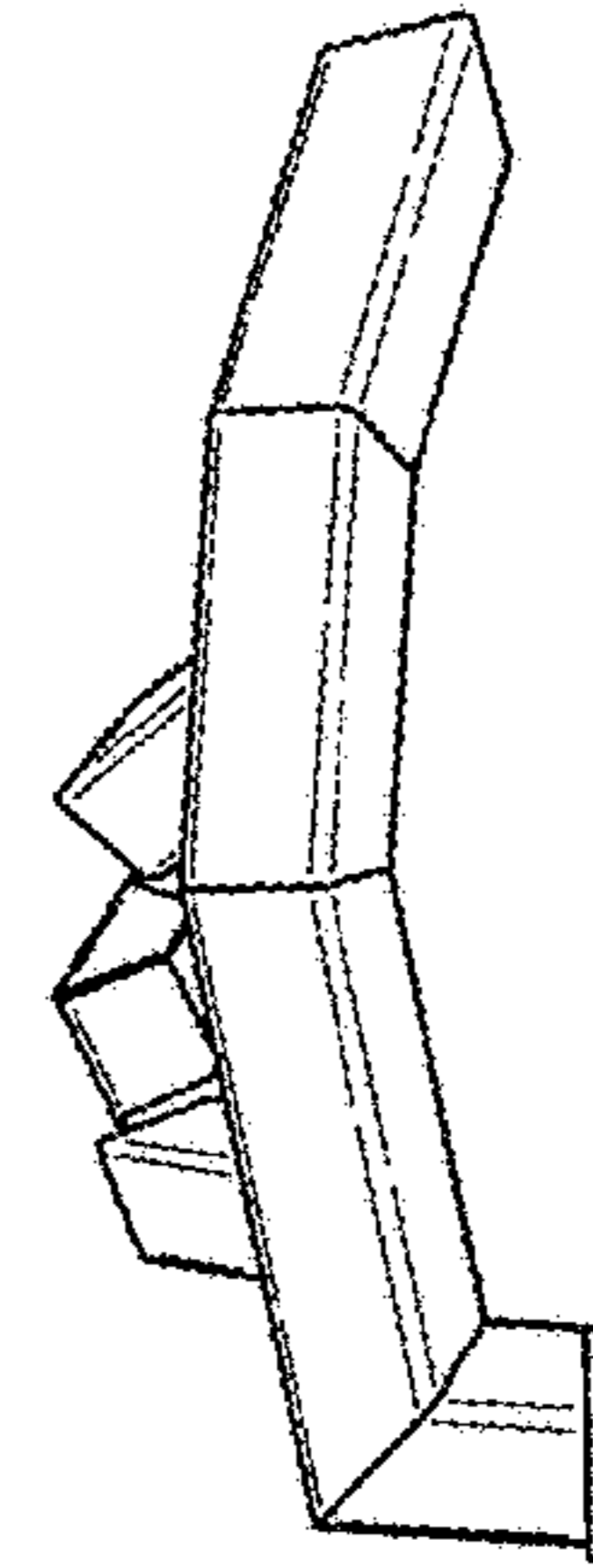


FIG. 5

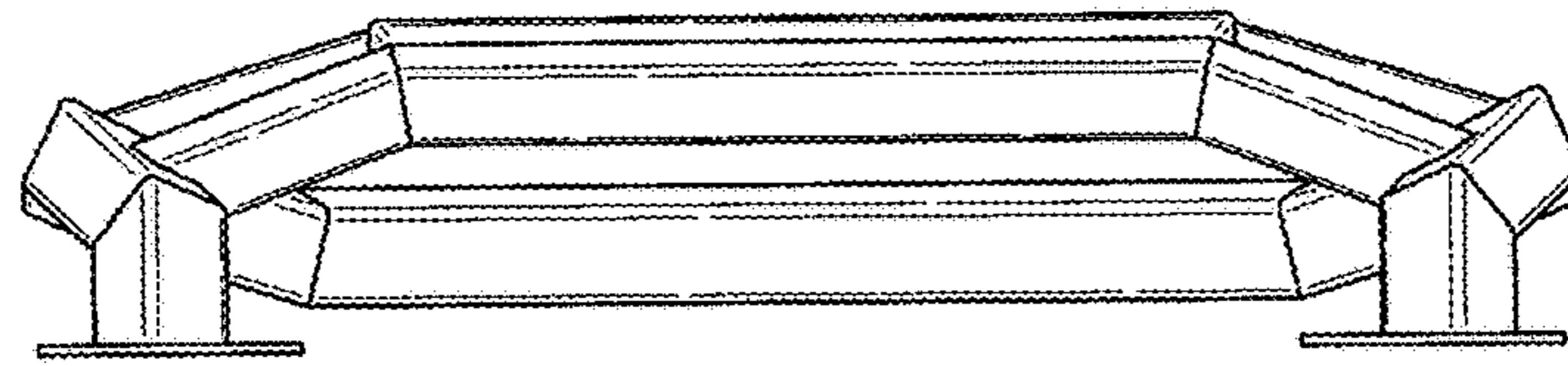


FIG. 7

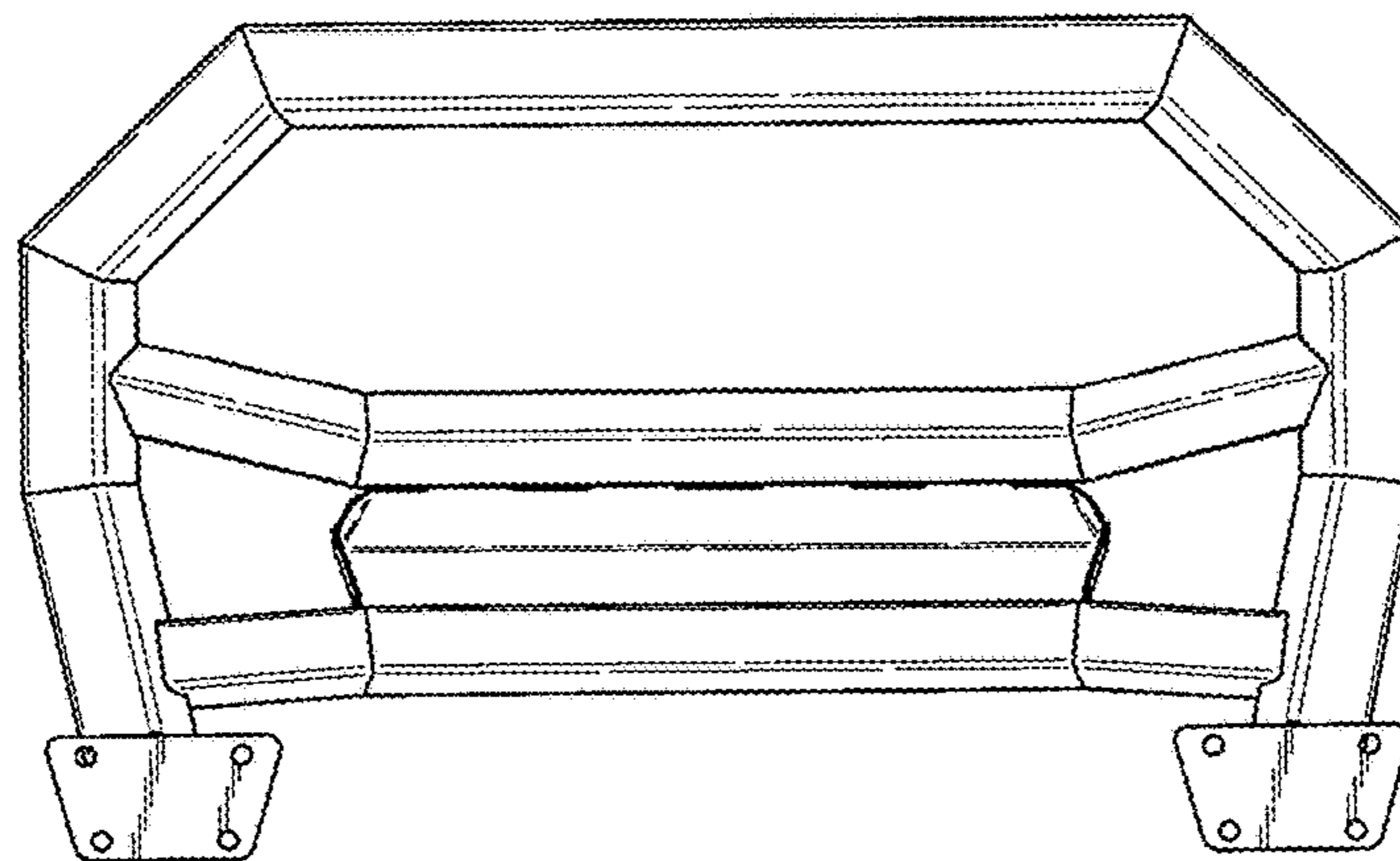


FIG. 8