



US00D849613S

(12) **United States Design Patent** (10) **Patent No.:** **US D849,613 S**  
**Drever** (45) **Date of Patent:** **\*\* May 28, 2019**

(54) **GRILL GUARD**

D614,095 S \* 4/2010 Fretz ..... D12/171

(71) Applicant: **Holt Sales & Services, Inc.**, Des Moines, IA (US)

\* cited by examiner

(72) Inventor: **Jeremy Drever**, Ankeny, IA (US)

*Primary Examiner* — Darlington Ly

(73) Assignee: **Holt Sales & Service, Inc.**, Des Moines, IA (US)

(74) *Attorney, Agent, or Firm* — Davis, Brown, Koehn, Shors & Roberts, P.C.

(\*\*) Term: **15 Years**

(57) **CLAIM**

The ornamental design for a grill guard, as shown and described.

(21) Appl. No.: **29/619,937**

**DESCRIPTION**

(22) Filed: **Oct. 3, 2017**

**Related U.S. Application Data**

(63) Continuation of application No. 29/553,410, filed on Feb. 1, 2016, now Pat. No. Des. 801,892.

(51) **LOC (11) Cl.** ..... **12-16**

(52) **U.S. Cl.**  
USPC ..... **D12/171**

(58) **Field of Classification Search**  
USPC ..... D12/86, 90, 91, 92, 163, 164, 169, 171,  
D12/196, 216; D21/533, 538, 541, 542,  
D21/548, 549, 551, 562  
CPC ..... B60R 19/02; B60R 19/18; B60R 19/24;  
B60R 19/56; B60R 2019/007

See application file for complete search history.

(56) **References Cited**

**U.S. PATENT DOCUMENTS**

D300,420 S *	3/1989	Trinnannan	.....	D12/171
D361,316 S *	8/1995	Orth, Sr.	.....	D12/171
D410,879 S *	6/1999	Orth, Sr.	.....	D12/171
D416,219 S *	11/1999	Waagenaar	.....	D12/171
D422,952 S *	4/2000	Waagenaar	.....	D12/171
D422,953 S *	4/2000	Waagenaar	.....	D12/171
D425,462 S *	5/2000	Ujije	.....	D12/171

FIG. 1 is a top, front, and right side perspective view of a grill guard showing my new design in accordance to a first embodiment;

FIG. 2 is a top, rear, and right side perspective view thereof;

FIG. 3 is a front elevation view thereof;

FIG. 4 is a rear elevation view thereof;

FIG. 5 is a right side elevation view thereof;

FIG. 6 is a left side elevation view thereof;

FIG. 7 is a top plan view thereof; and

FIG. 8 is a bottom plan view thereof.

FIG. 9 is a top, front, and right side perspective view of a grill guard showing my new design in accordance to a second embodiment;

FIG. 10 is a top, rear, and right side perspective view thereof;

FIG. 11 is a front elevation view thereof;

FIG. 12 is a rear elevation view thereof;

FIG. 13 is a right side elevation view thereof;

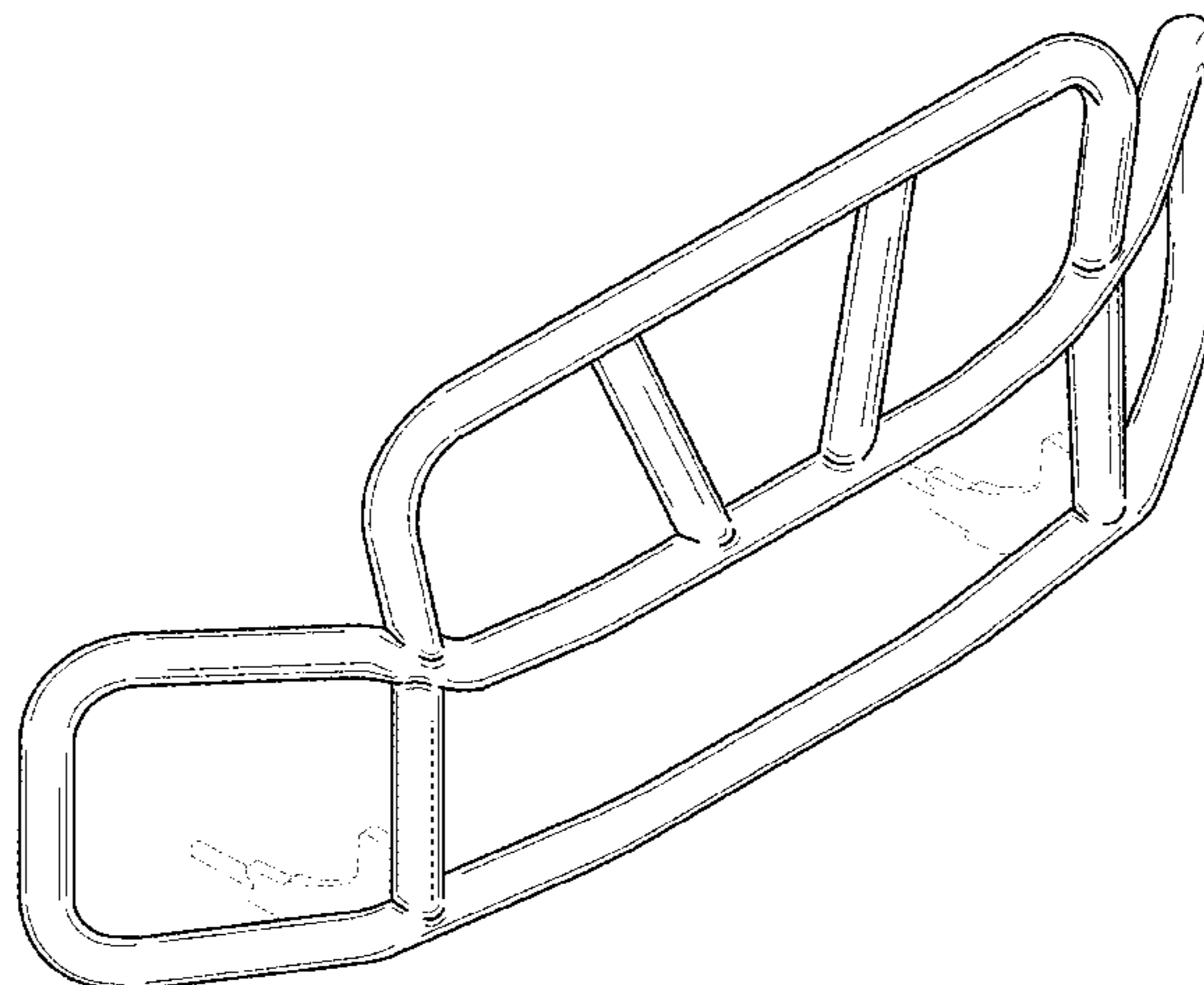
FIG. 14 is a left side elevation view thereof;

FIG. 15 is a top plan view thereof; and,

FIG. 16 is a bottom plan view thereof.

The broken line showing a pair of brackets are for the purpose of illustrating portions of the grill guard and form no part of the claimed design.

**1 Claim, 12 Drawing Sheets**



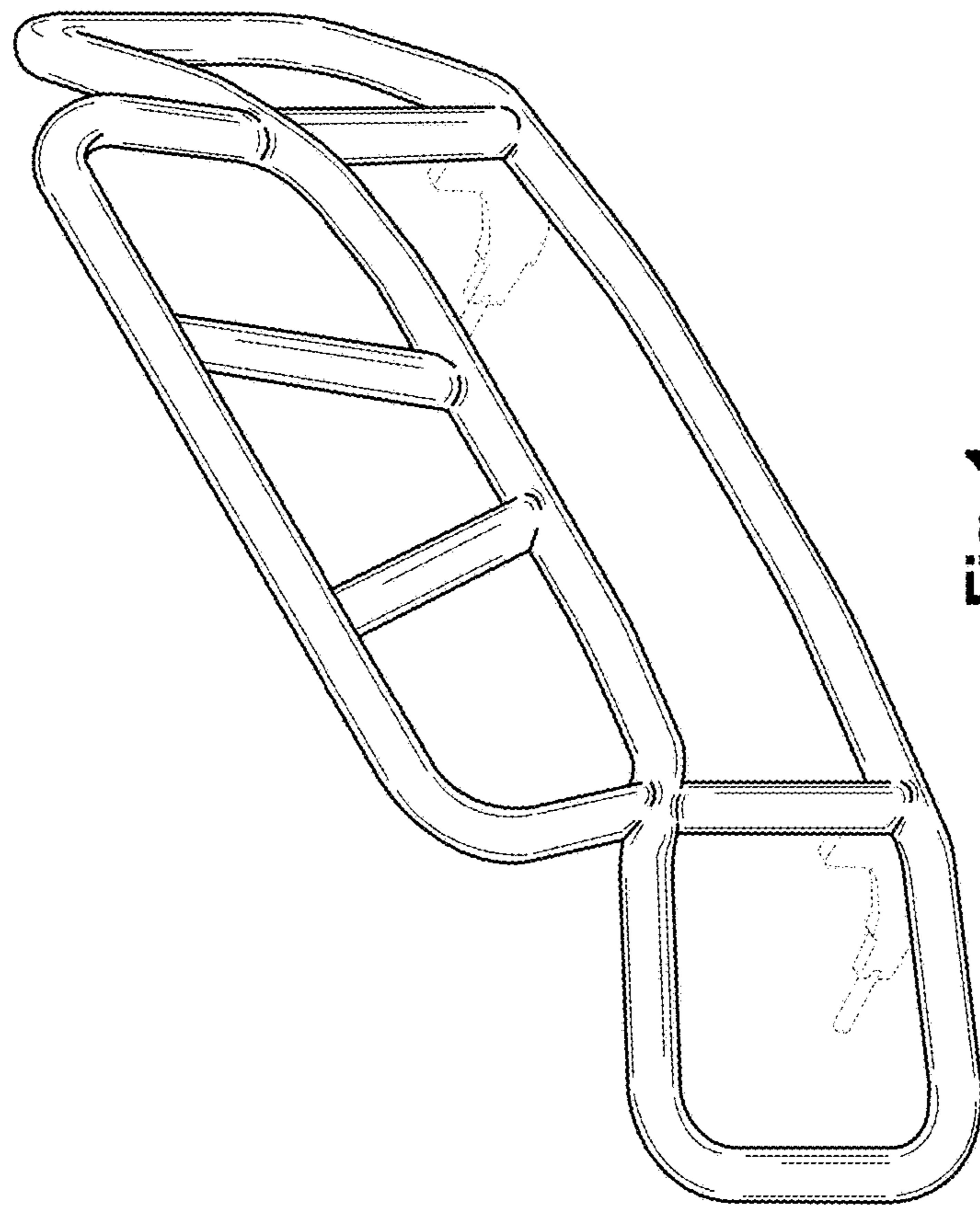


Fig. 1

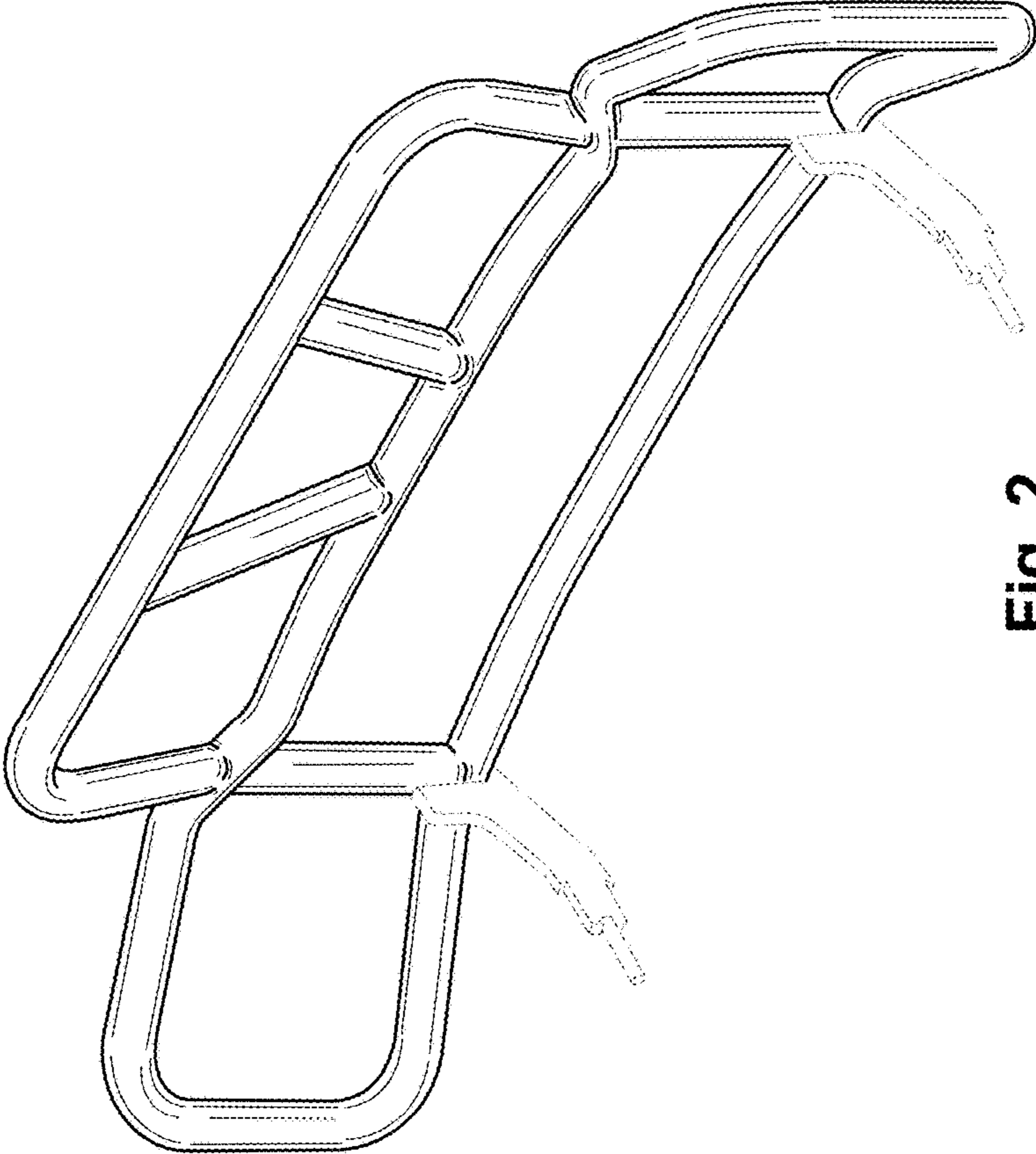


Fig. 2

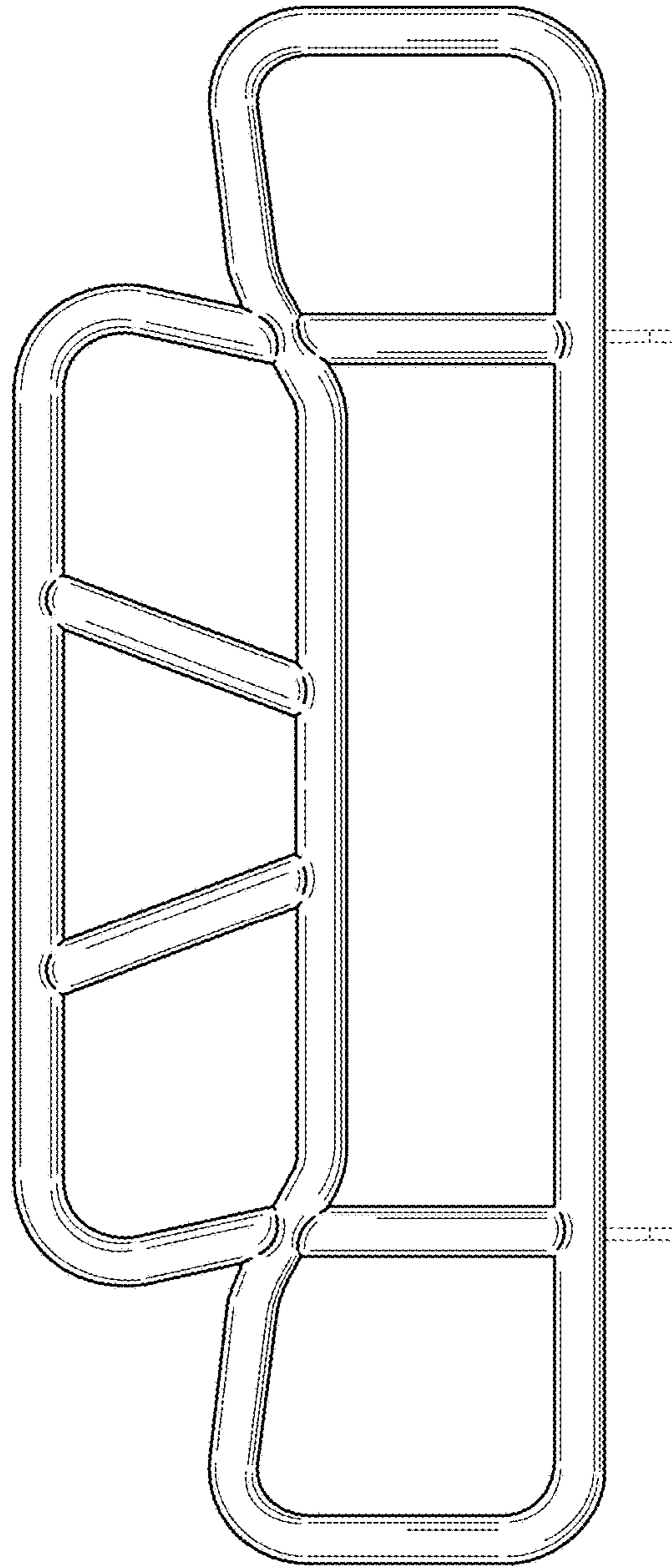


Fig. 3

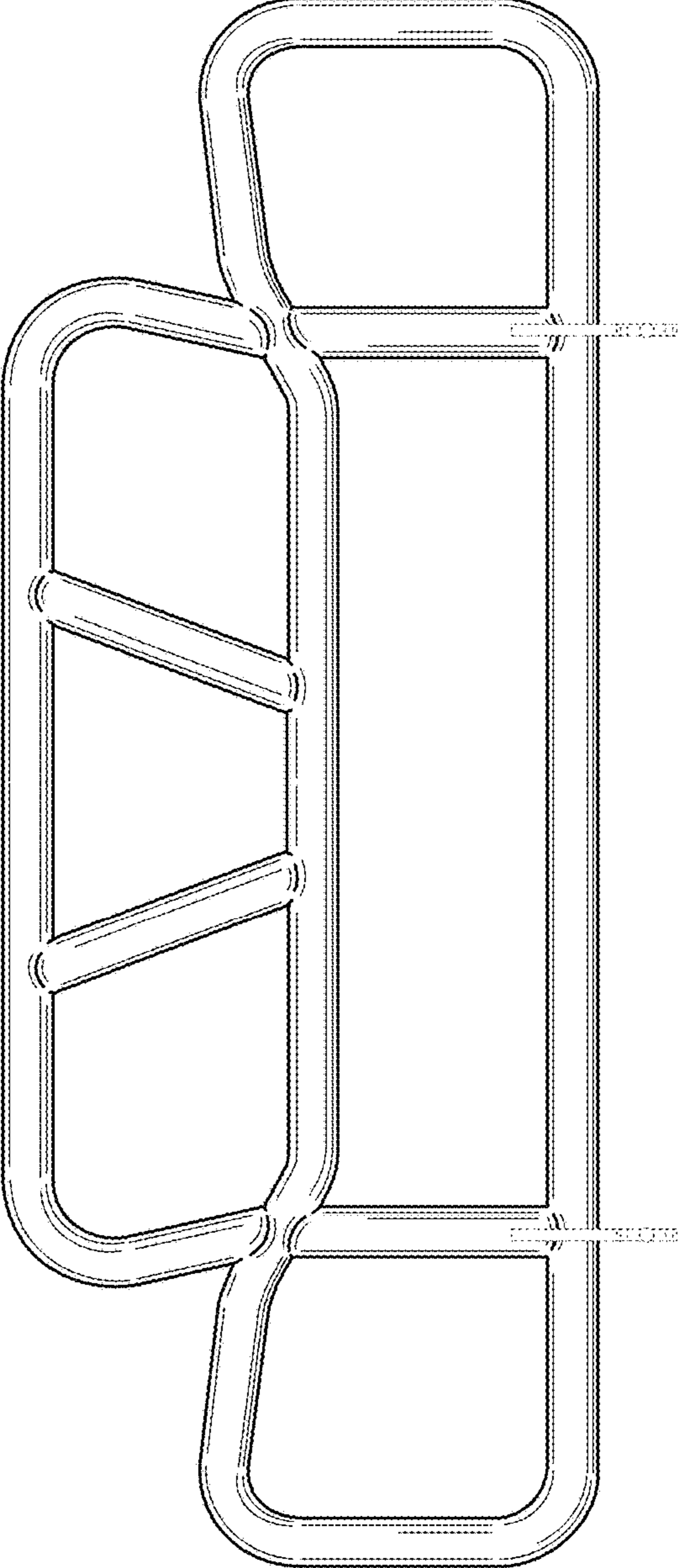


Fig. 4



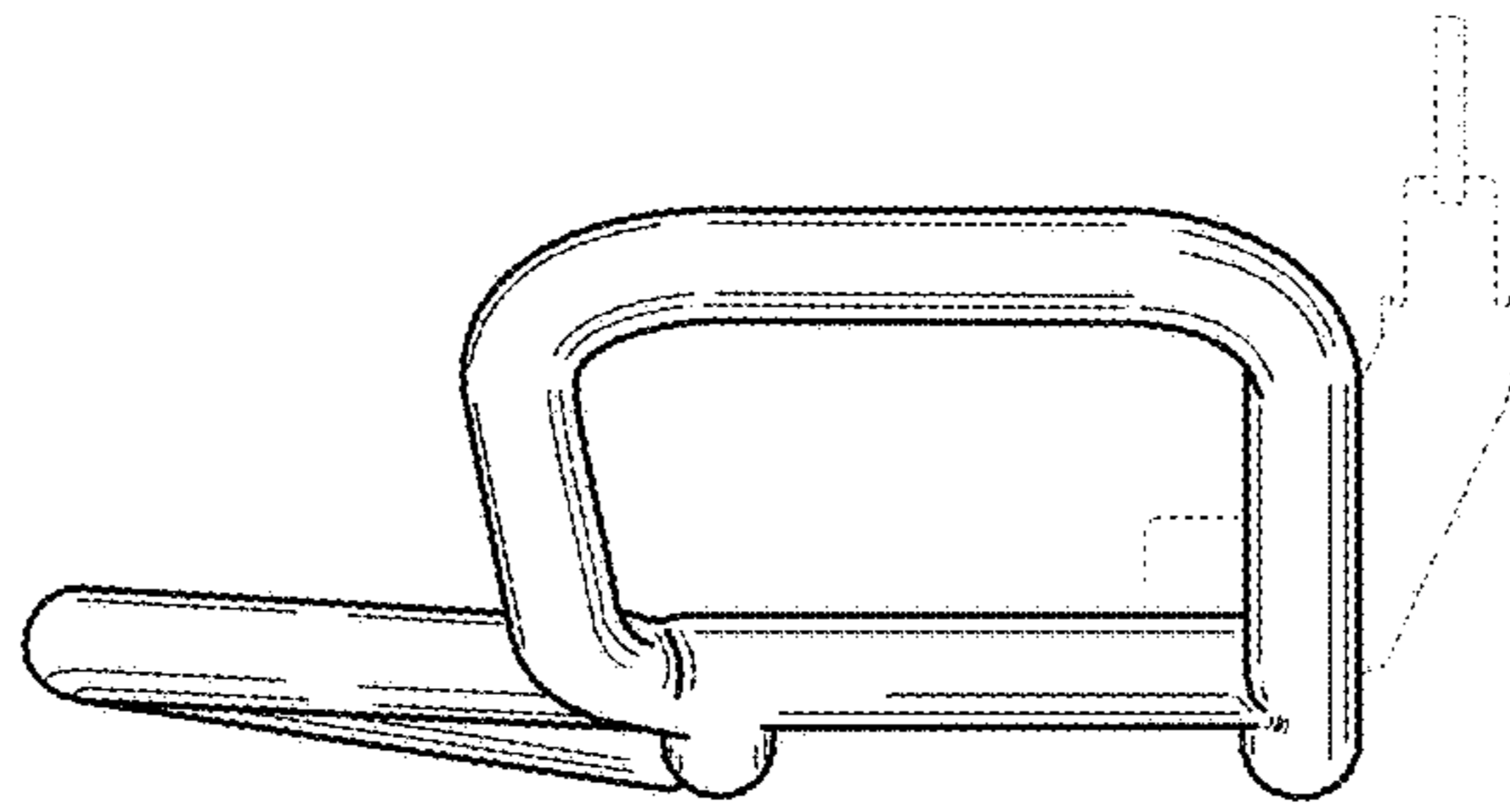


Fig. 6

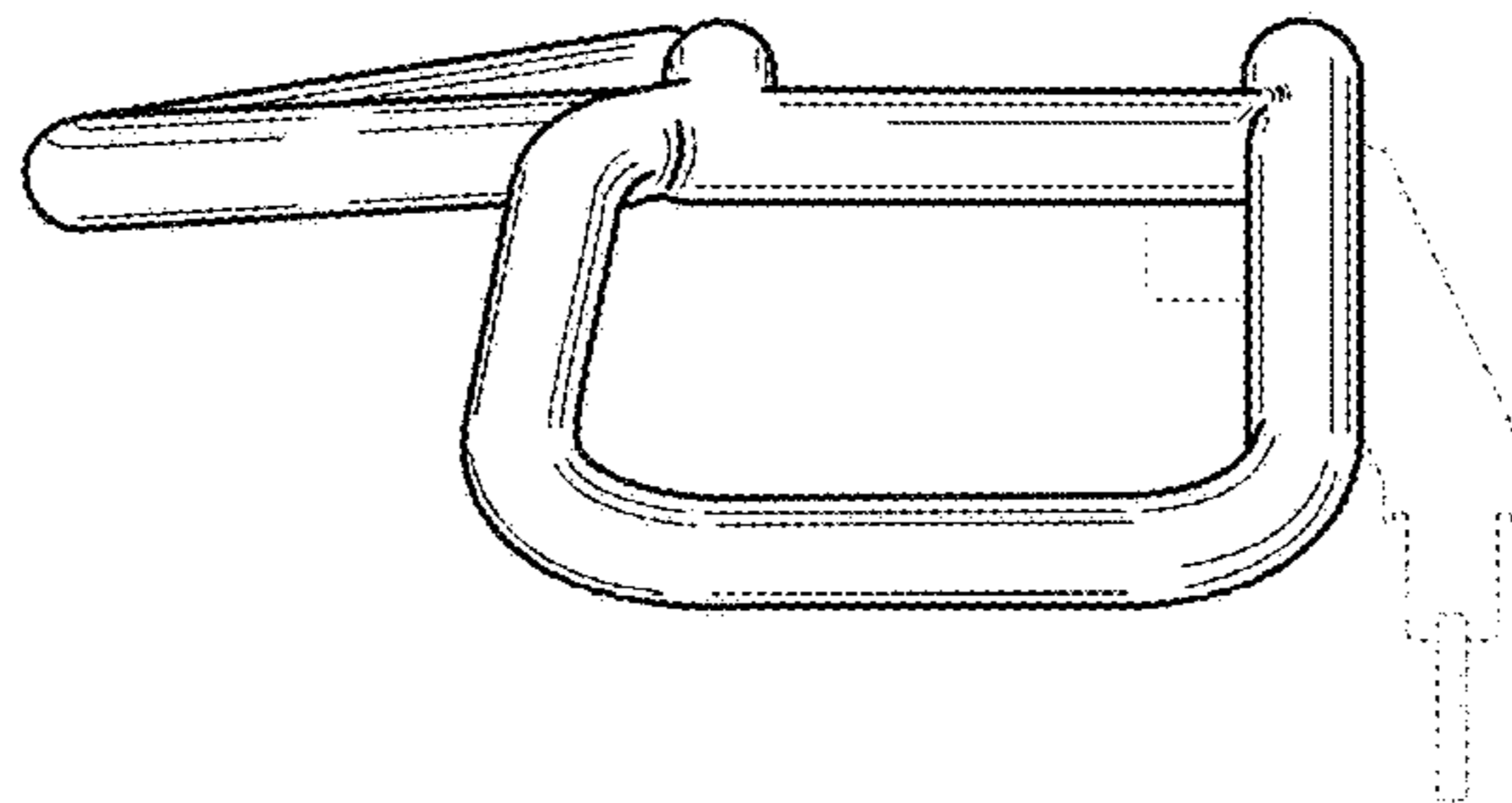


Fig. 5

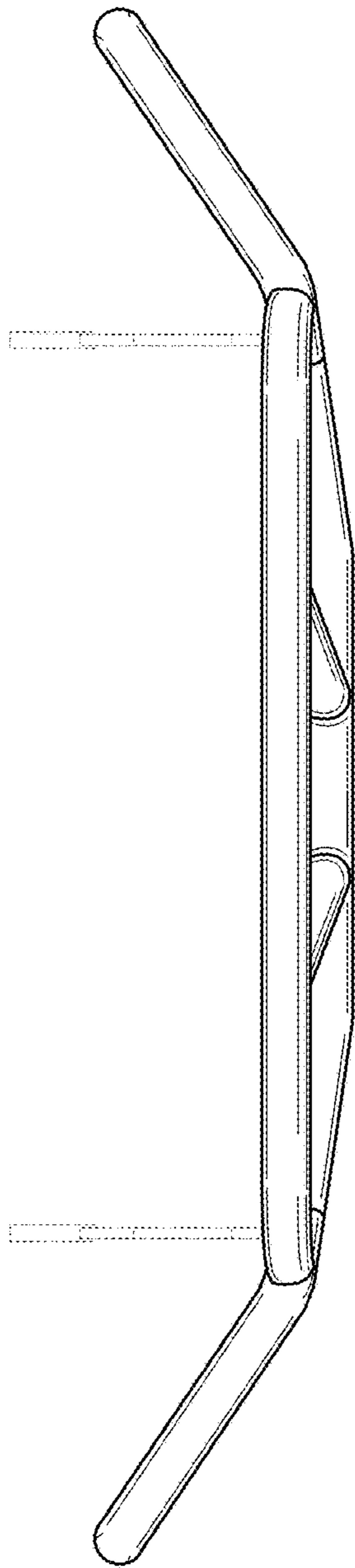


Fig. 7

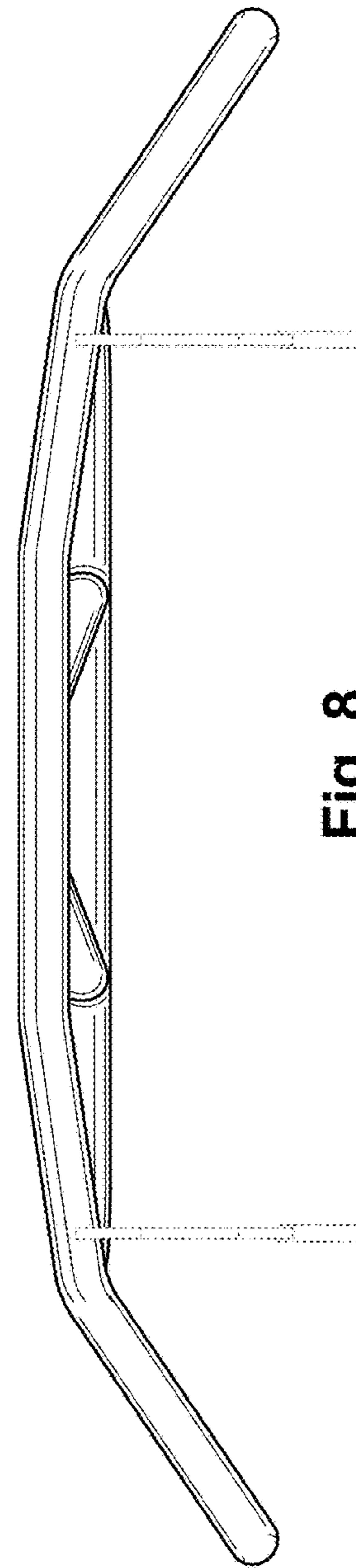


Fig. 8

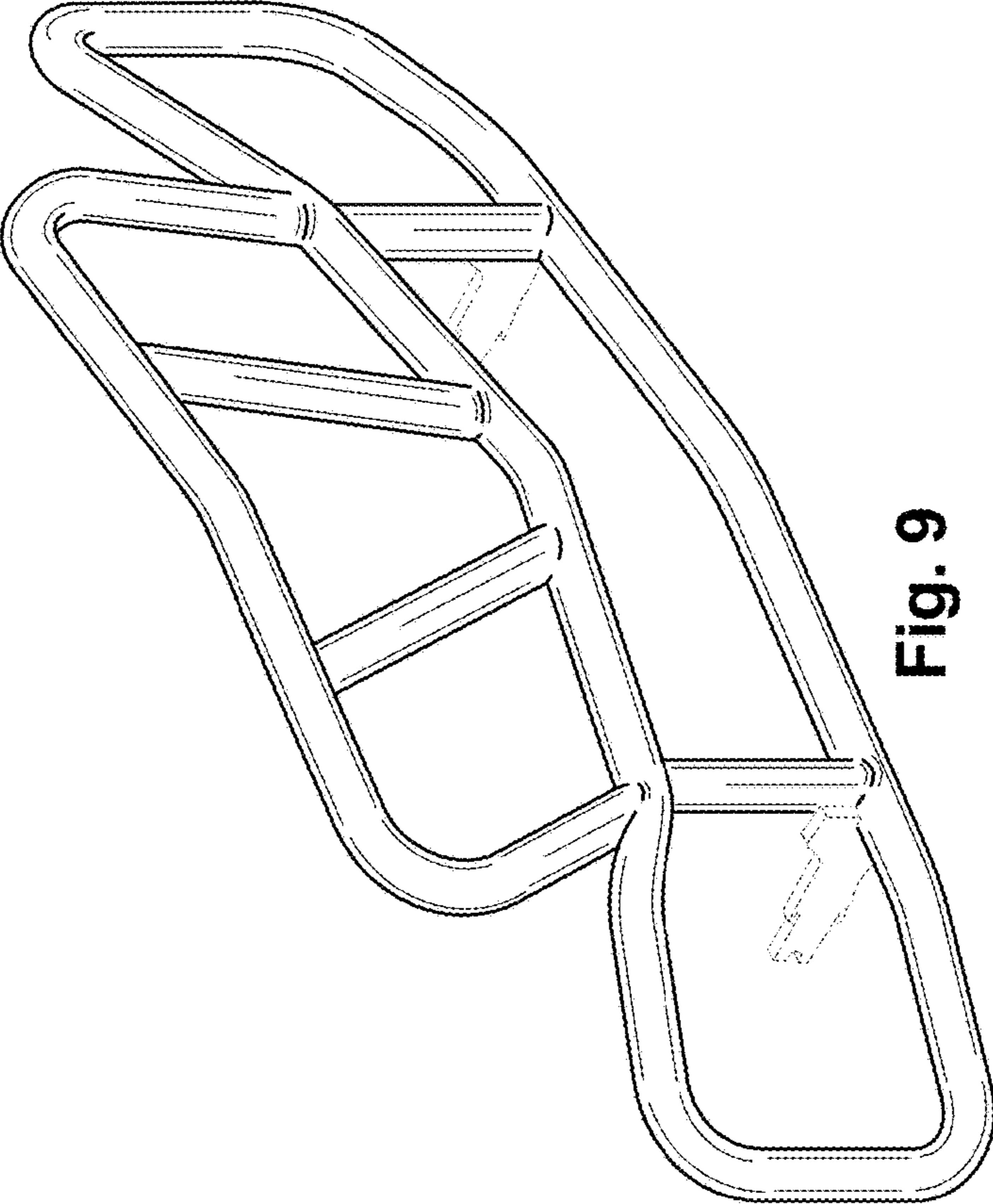


Fig. 9



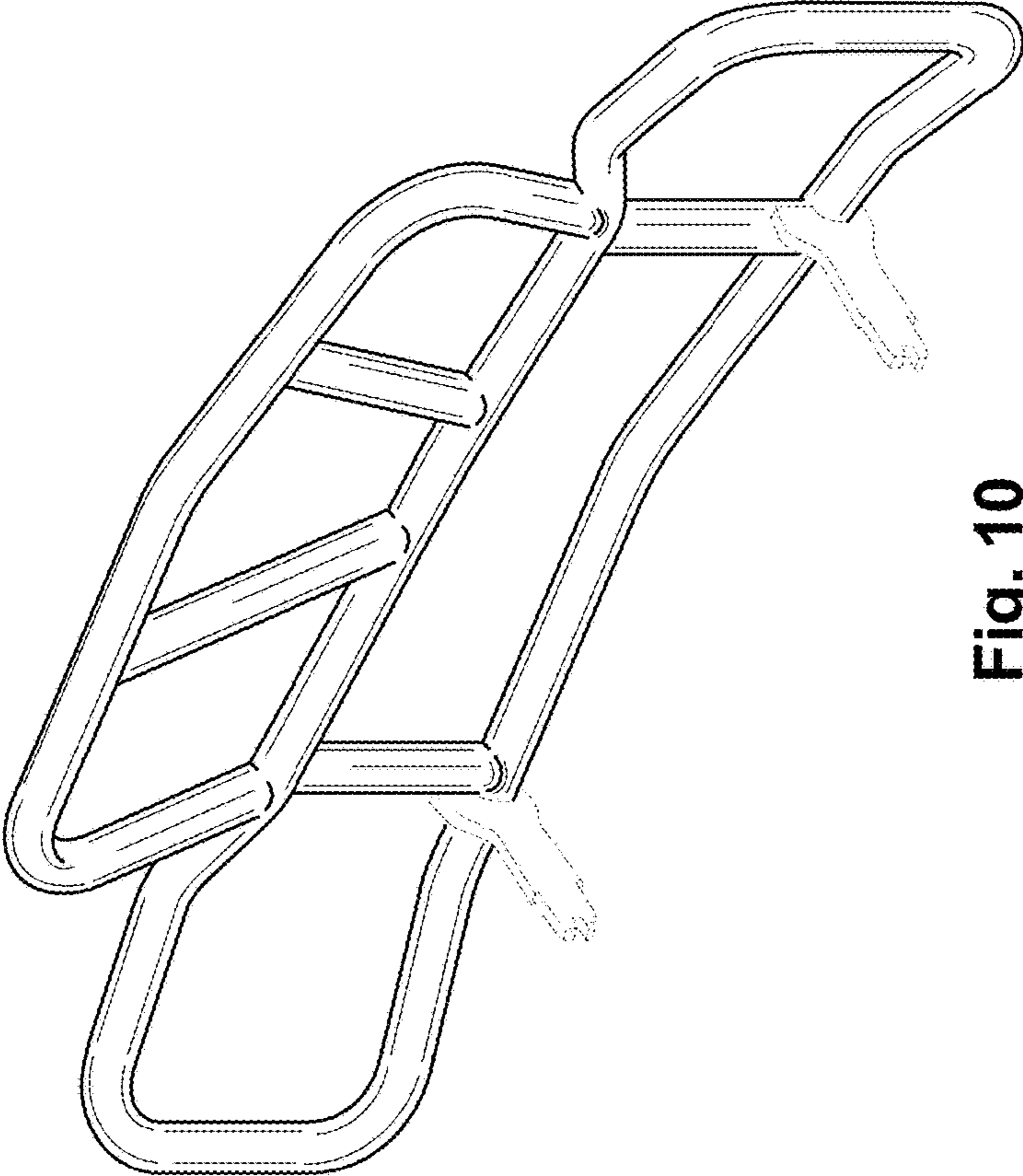


Fig. 10

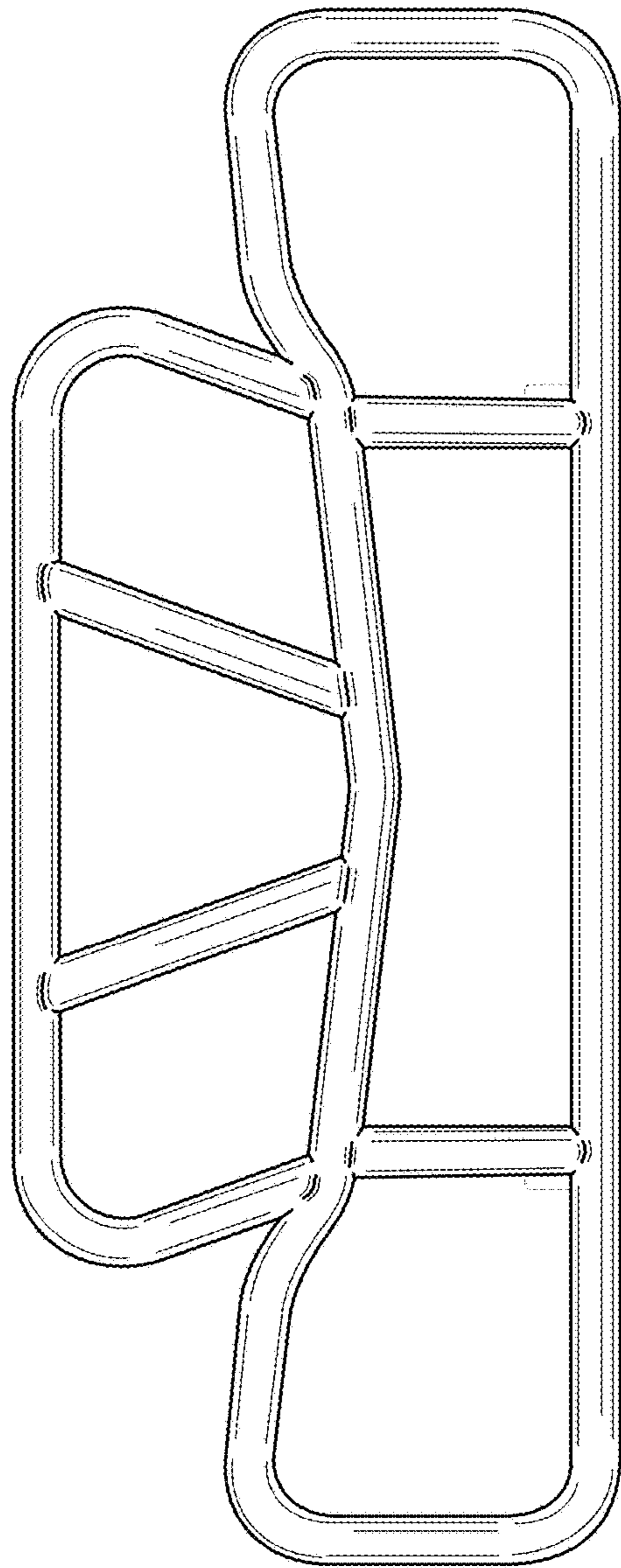


Fig. 11

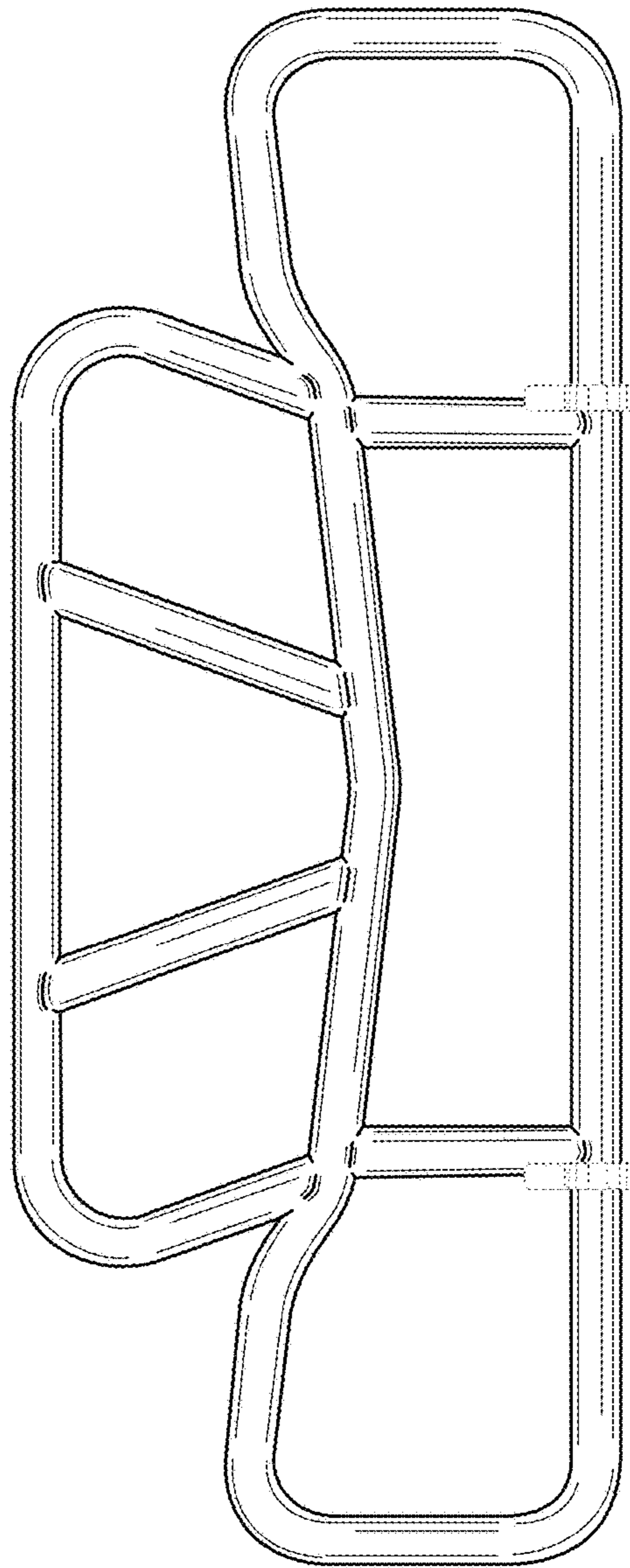


Fig. 12

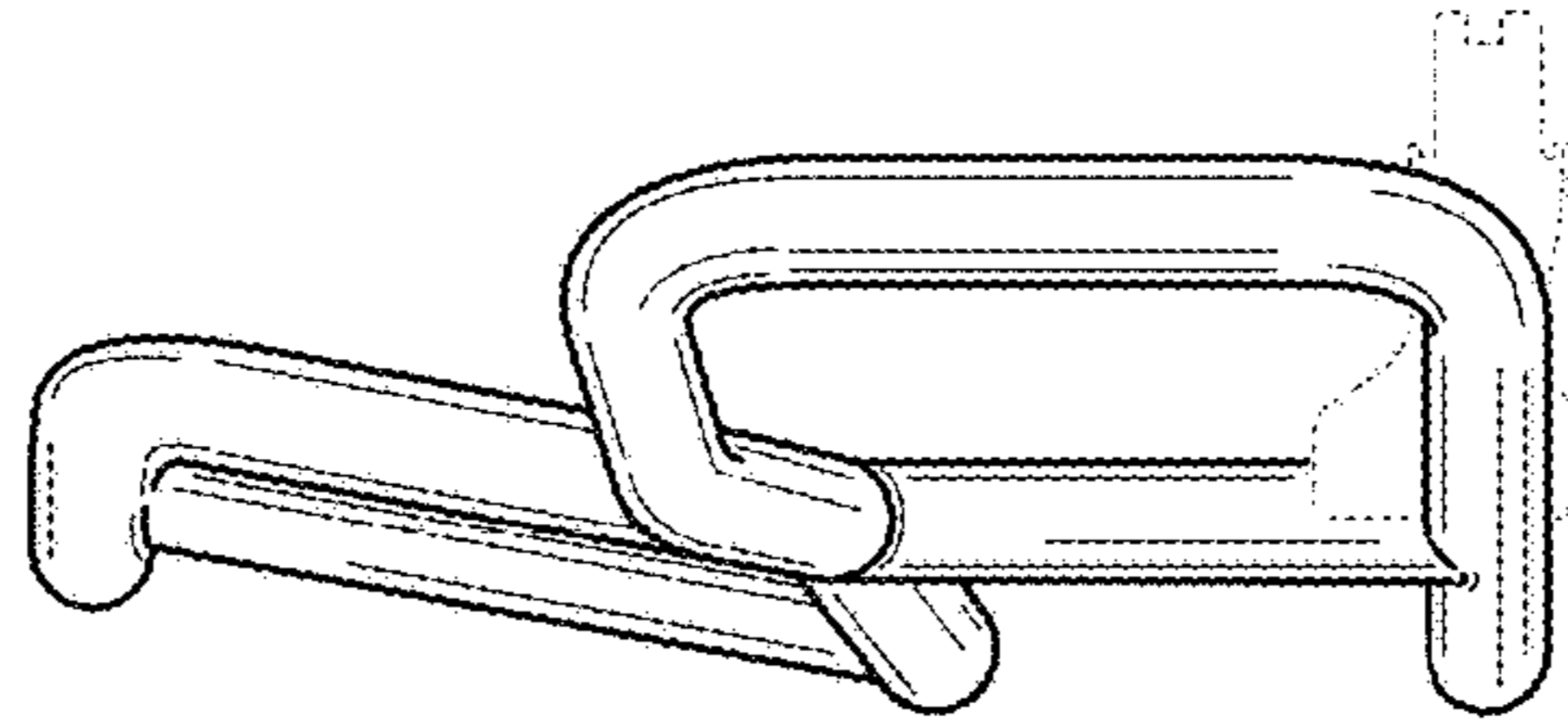


Fig. 13

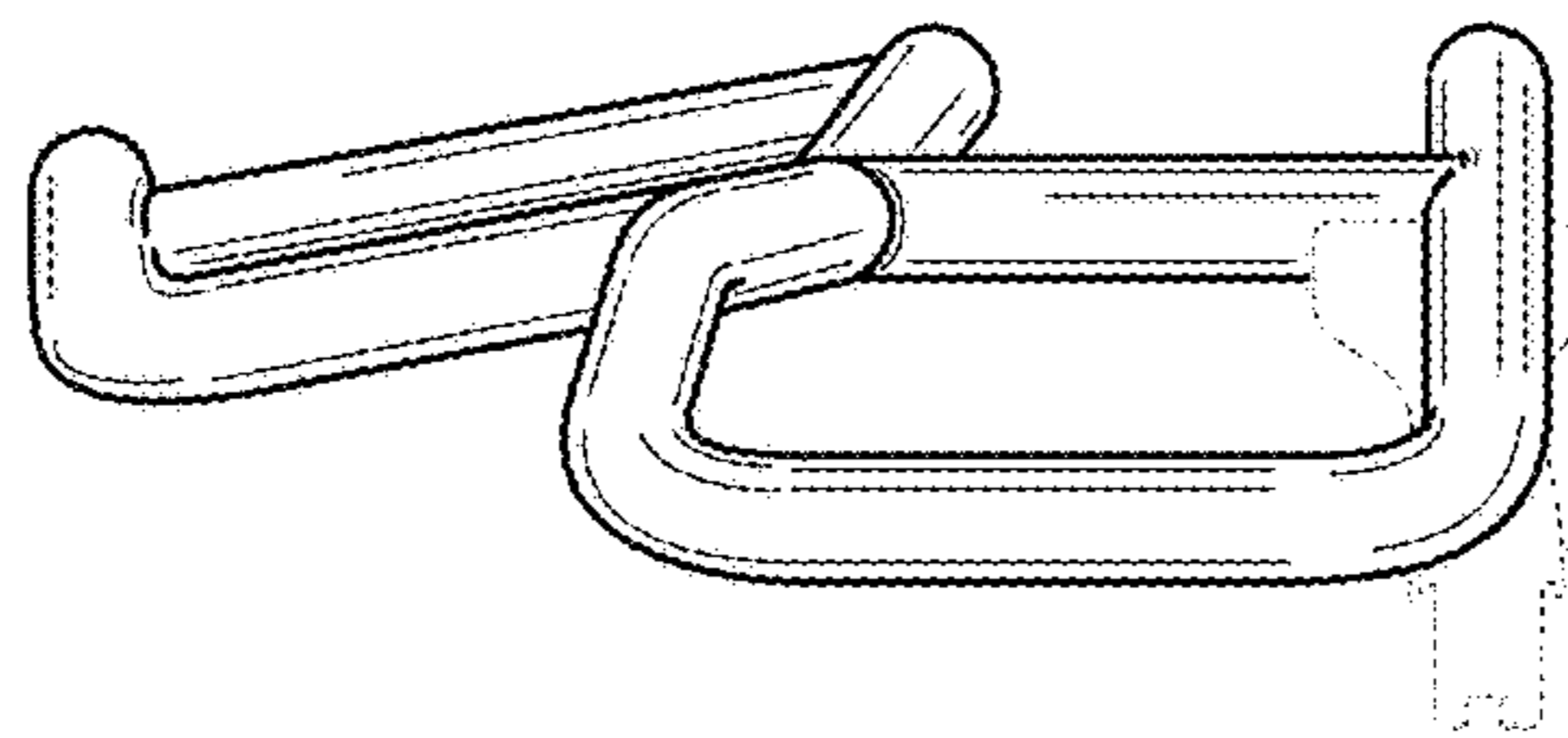


Fig. 14

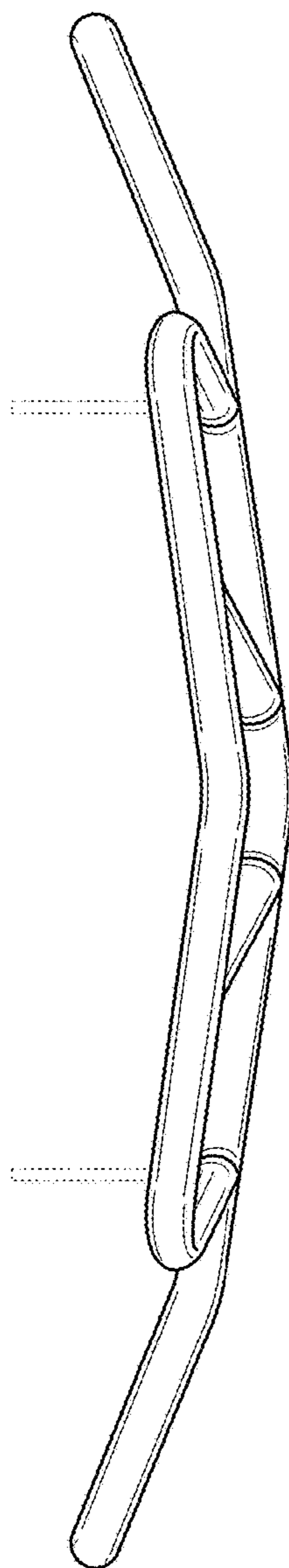


Fig. 15

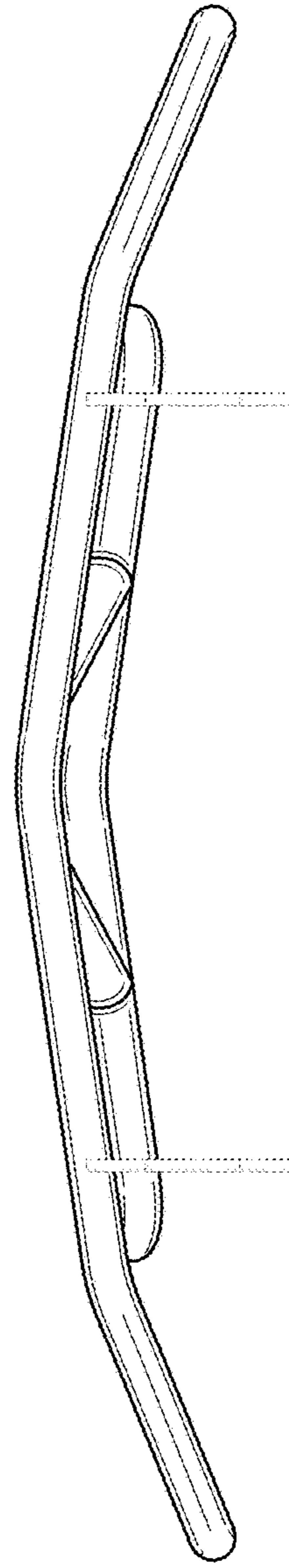


Fig. 16