

US00D849610S

(12) **United States Design Patent** (10) **Patent No.:** **US D849,610 S**  
**Wyers** (45) **Date of Patent:** **\*\* May 28, 2019**

- (54) **RECEIVER HITCH CLAMP**
- (71) Applicant: **Philip Warren Wyers**, Centennial, CO (US)
- (72) Inventor: **Philip Warren Wyers**, Centennial, CO (US)
- (\*\*) Term: **15 Years**
- (21) Appl. No.: **29/620,151**
- (22) Filed: **Jul. 22, 2016**
- (51) **LOC (11) Cl.** ..... **12-16**
- (52) **U.S. Cl.**  
USPC ..... **D12/162**
- (58) **Field of Classification Search**  
USPC ..... D12/159, 160, 161, 162, 203, 223, 400;  
D8/349, 363, 373, 382, 394, 396  
CPC . B60D 1/065; B60D 1/00; B60D 1/60; B60D  
1/06  
See application file for complete search history.

D770,948 S \* 11/2016 Wu ..... D12/162  
D772,116 S \* 11/2016 Wu ..... D12/162  
2004/0134242 A1\* 7/2004 Wyers ..... B60D 1/065  
70/14  
2015/0097356 A1\* 4/2015 Breeden, III ..... B60D 1/06  
280/507

**OTHER PUBLICATIONS**

Amazon.com. "Towever 84701 Super Corrosion Resistant Trailer Hitches Stabilizer Cross Clamp No Wobble." Uploaded May 10, 2017. Retrieved Jun. 6, 2017. (<https://www.amazon.com/Towever%C2%ADCorrosion%C2%ADResistant%C2%ADTrailer%C2%ADStabilizer/dp/B01N4K91GI/>).\*

\* cited by examiner

*Primary Examiner* — Susan E Krakower  
*Assistant Examiner* — Jerry Shiuan-Hua Hsu

(57) **CLAIM**

I claim the ornamental design for a receiver hitch clamp, as shown and described.

**DESCRIPTION**

FIG. 1 is a front perspective view of the receiver hitch clamp, showing my new design.  
FIG. 2 is a front elevation view.  
FIG. 3 is a top plan view.  
FIG. 4 is a side elevation view.  
FIG. 5 is a back elevation view; and,  
FIG. 6 is a bottom plan view.  
The broken lines illustrate environmental structure that forms no part of the claimed design.

**1 Claim, 6 Drawing Sheets**

(56) **References Cited**

**U.S. PATENT DOCUMENTS**

- D395,026 S \* 6/1998 McCoy ..... D12/162
- D407,358 S \* 3/1999 Redmond ..... D12/162
- 5,941,342 A \* 8/1999 Lee ..... B60R 3/02  
182/127
- D414,732 S \* 10/1999 Redmond ..... D12/162
- 6,550,578 B1 \* 4/2003 Law ..... B60R 3/007  
182/150
- D537,399 S \* 2/2007 Riddle ..... D12/203
- D573,929 S \* 7/2008 Black ..... D12/203
- D662,867 S \* 7/2012 Neal ..... D12/203
- D672,302 S \* 12/2012 Curi ..... D12/203

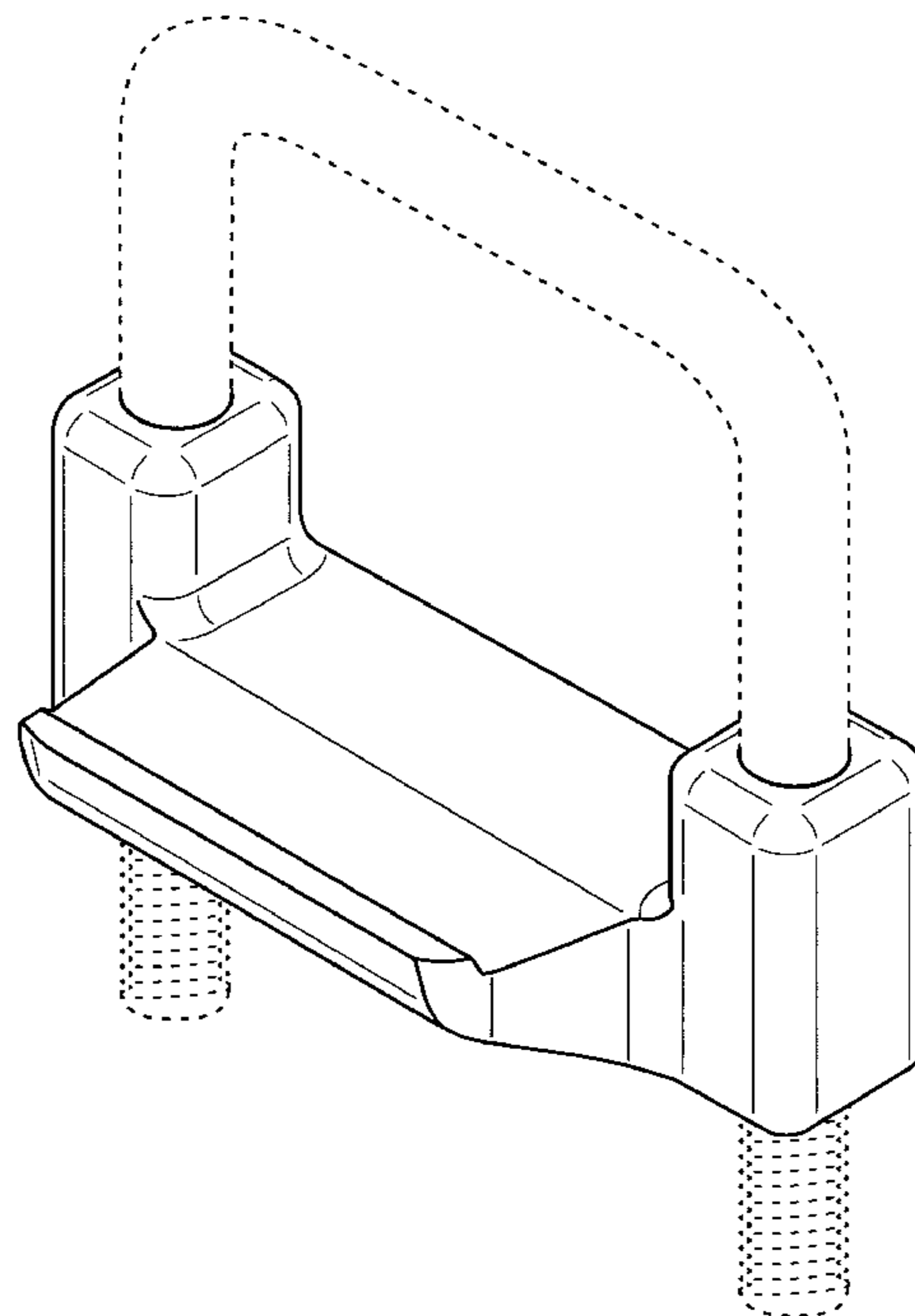


Fig. 1

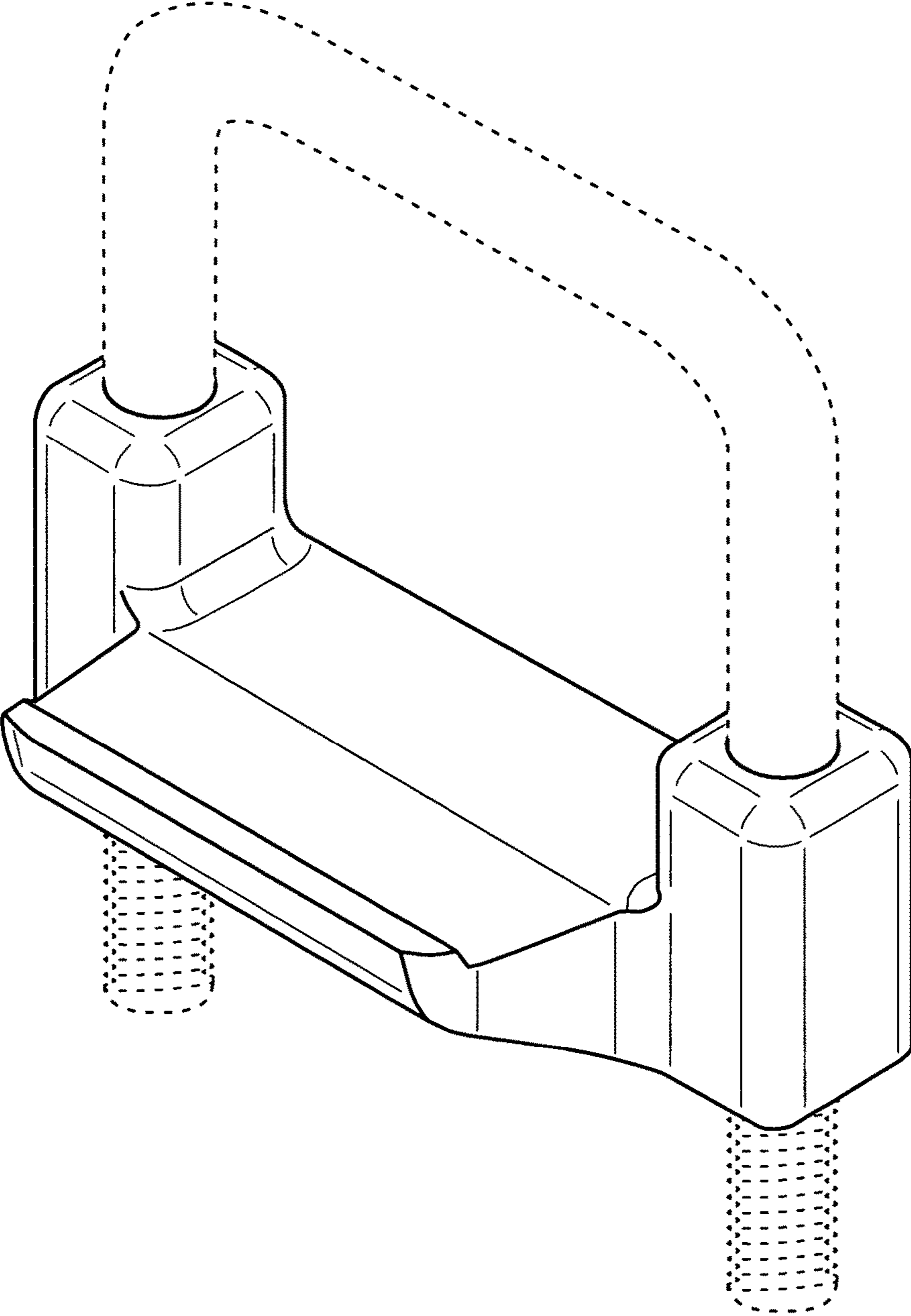


Fig. 2

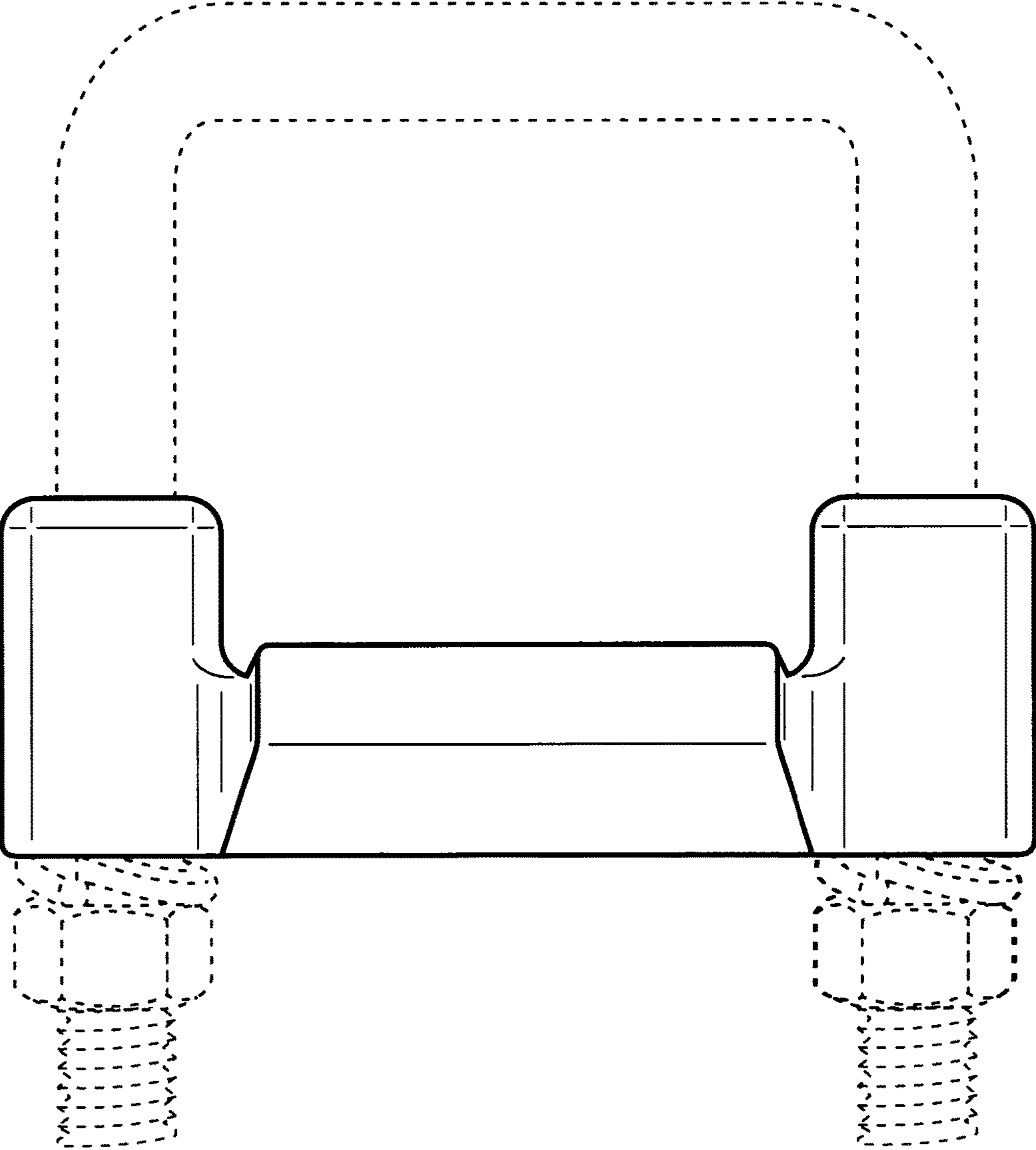


Fig. 3

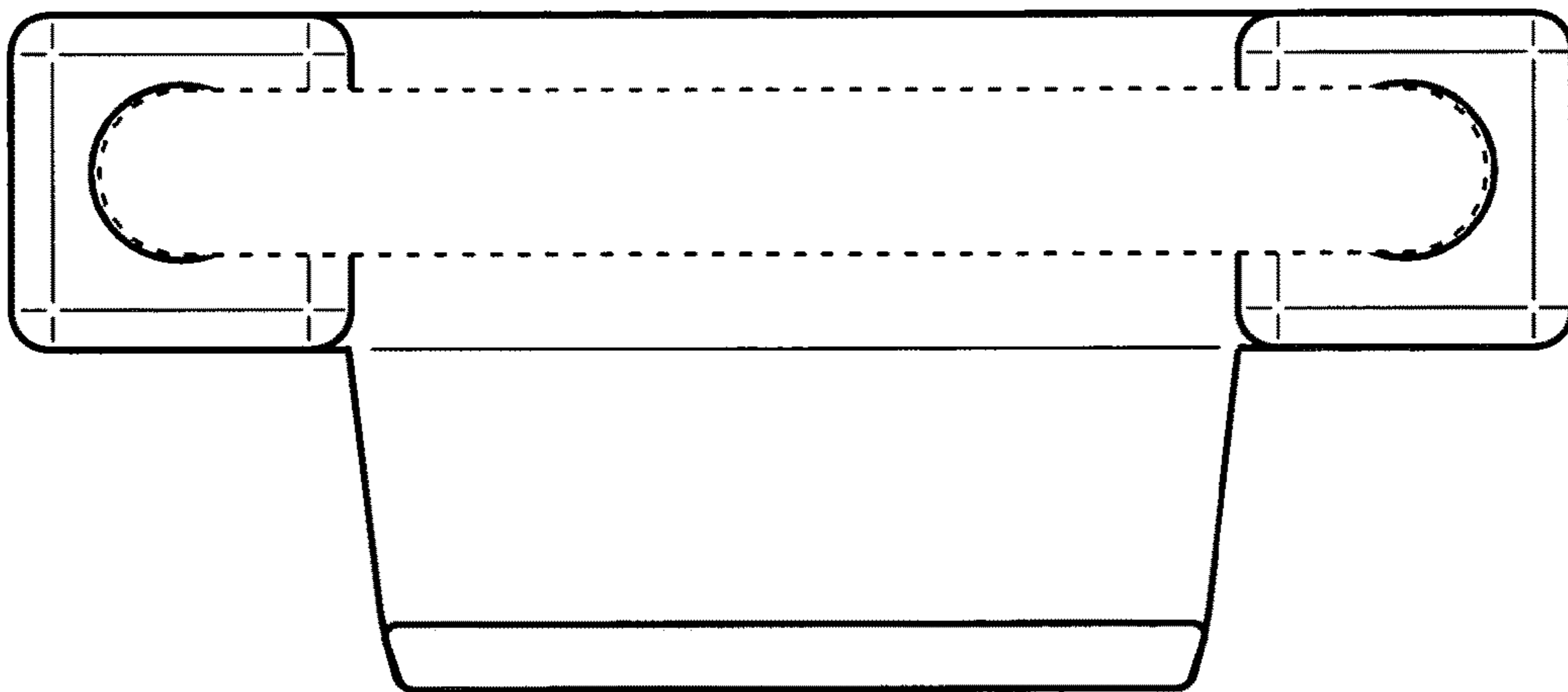


Fig. 4

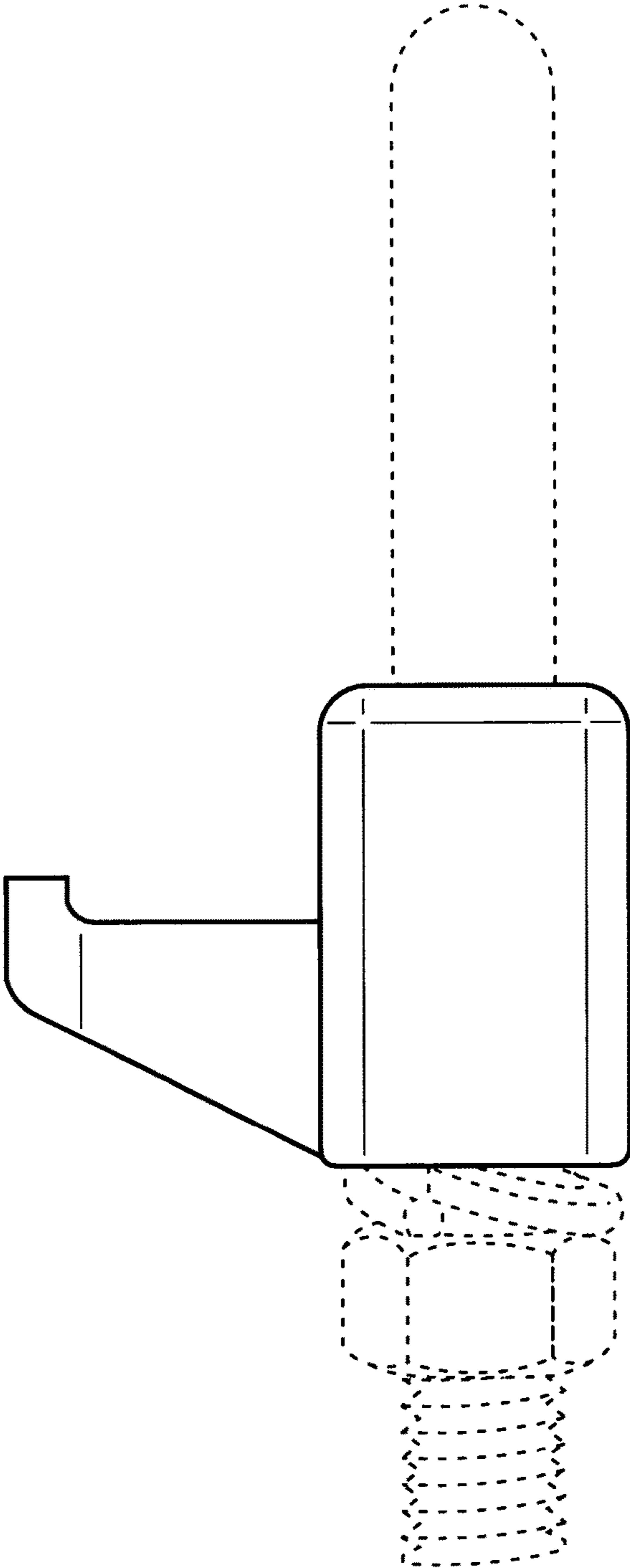


Fig. 5

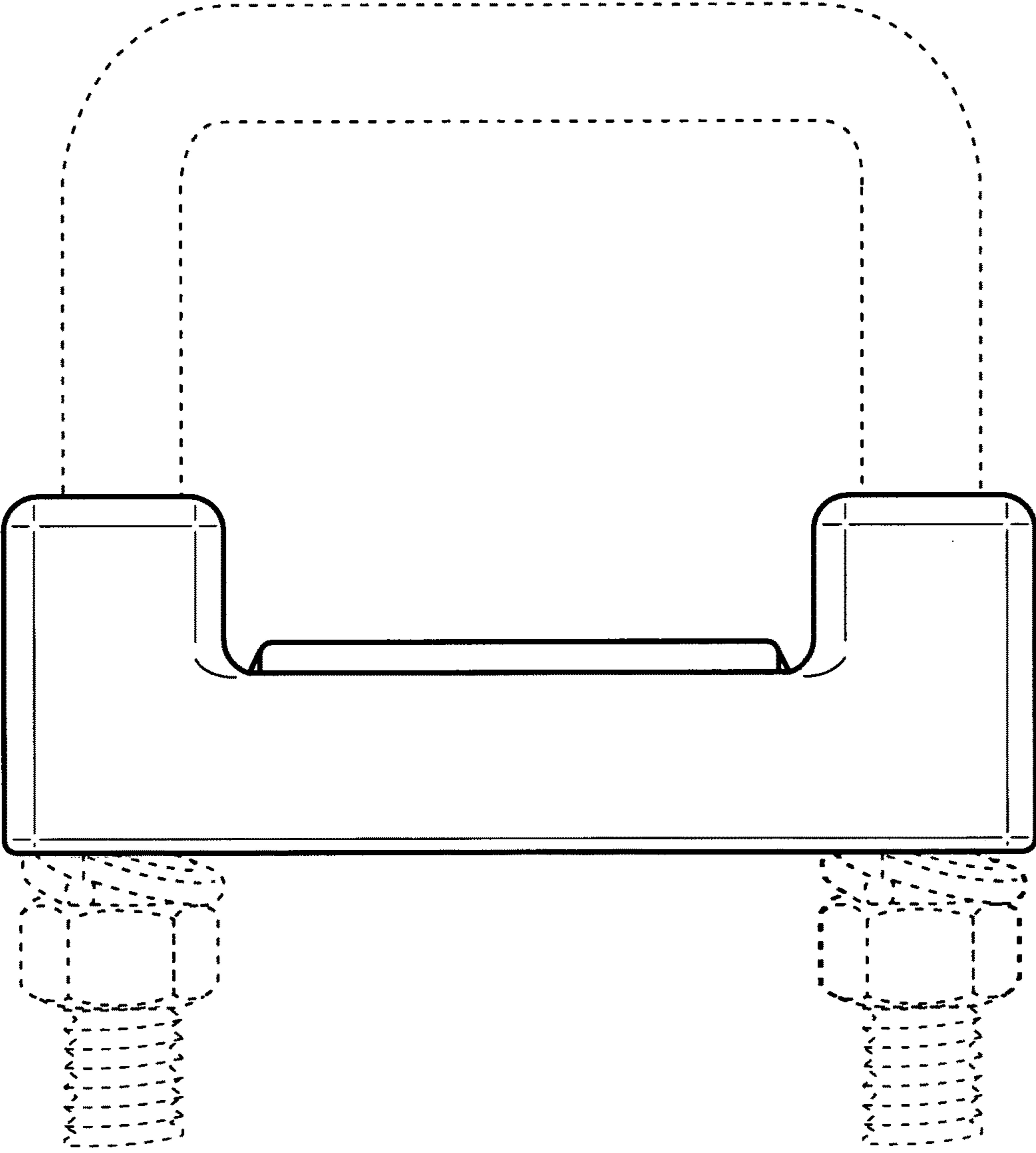


Fig. 6

