



US00D849608S

(12) **United States Design Patent**  
**Orrell et al.**

(10) **Patent No.:** **US D849,608 S**

(45) **Date of Patent:** **\*\* May 28, 2019**

(54) **MOBILE STANDING AND RAISING AID**

(71) Applicant: **Huntleigh Technology Limited,**  
Dunstable (GB)

(72) Inventors: **Urban Orrell,** Bromma (SE); **Martin Faucher,** Magog (CA); **Marie Rubin,** Barseback (SE)

(73) Assignee: **Huntleigh Technology Limited** (GB)

(\*\*) Term: **15 Years**

(21) Appl. No.: **29/627,041**

(22) Filed: **Nov. 22, 2017**

(30) **Foreign Application Priority Data**

May 23, 2017 (GB) ..... 1708268.6

(51) **LOC (11) Cl.** ..... **12-02**

(52) **U.S. Cl.**  
USPC ..... **D12/131**

(58) **Field of Classification Search**  
USPC ..... D12/128–133  
CPC . A61G 1/04; A61G 1/00; A61G 1/044; A61G 1/048; A61G 1/0212; A61G 1/003; A61G 1/0237; A61G 1/0231; A61G 1/0262; A61G 1/052; A61G 1/0562; A61G 1/0567; A61G 7/0504; A61G 7/103; A61G 7/1046; A61G 13/105  
See application file for complete search history.

(56) **References Cited**

**U.S. PATENT DOCUMENTS**

5,579,547 A \* 12/1996 Hunt ..... A61G 7/1015  
5/83.1  
5,609,566 A \* 3/1997 Pupovic ..... A61H 1/0296  
601/23  
5,845,348 A \* 12/1998 Dunn ..... A61G 7/1017  
5/83.1

6,079,062 A \* 6/2000 Mullin ..... A61G 7/1019  
5/81.1 R  
D451,658 S \* 12/2001 Czemerer ..... D34/28  
7,428,759 B2 \* 9/2008 Bain ..... A61G 7/1017  
212/294  
7,437,782 B1 \* 10/2008 Burns ..... A61G 7/1019  
254/385  
7,669,255 B2 \* 3/2010 Raney ..... A61G 7/1017  
5/86.1  
8,272,084 B2 \* 9/2012 Spidare ..... A61G 7/1017  
5/81.1 R  
8,438,677 B2 \* 5/2013 Biersteker ..... A61G 7/1046  
5/86.1  
8,474,794 B2 \* 7/2013 Liljedahl ..... A61G 7/1017  
254/120  
8,650,676 B2 \* 2/2014 Lin ..... A61G 7/1019  
5/81.1 HS  
8,656,529 B2 \* 2/2014 Corriveau ..... A61G 7/1017  
5/83.1  
8,914,920 B2 \* 12/2014 Niklasson ..... A61G 7/1017  
5/83.1

(Continued)

*Primary Examiner* — Charles D Hanson

(74) *Attorney, Agent, or Firm* — The Webb Law Firm

(57) **CLAIM**

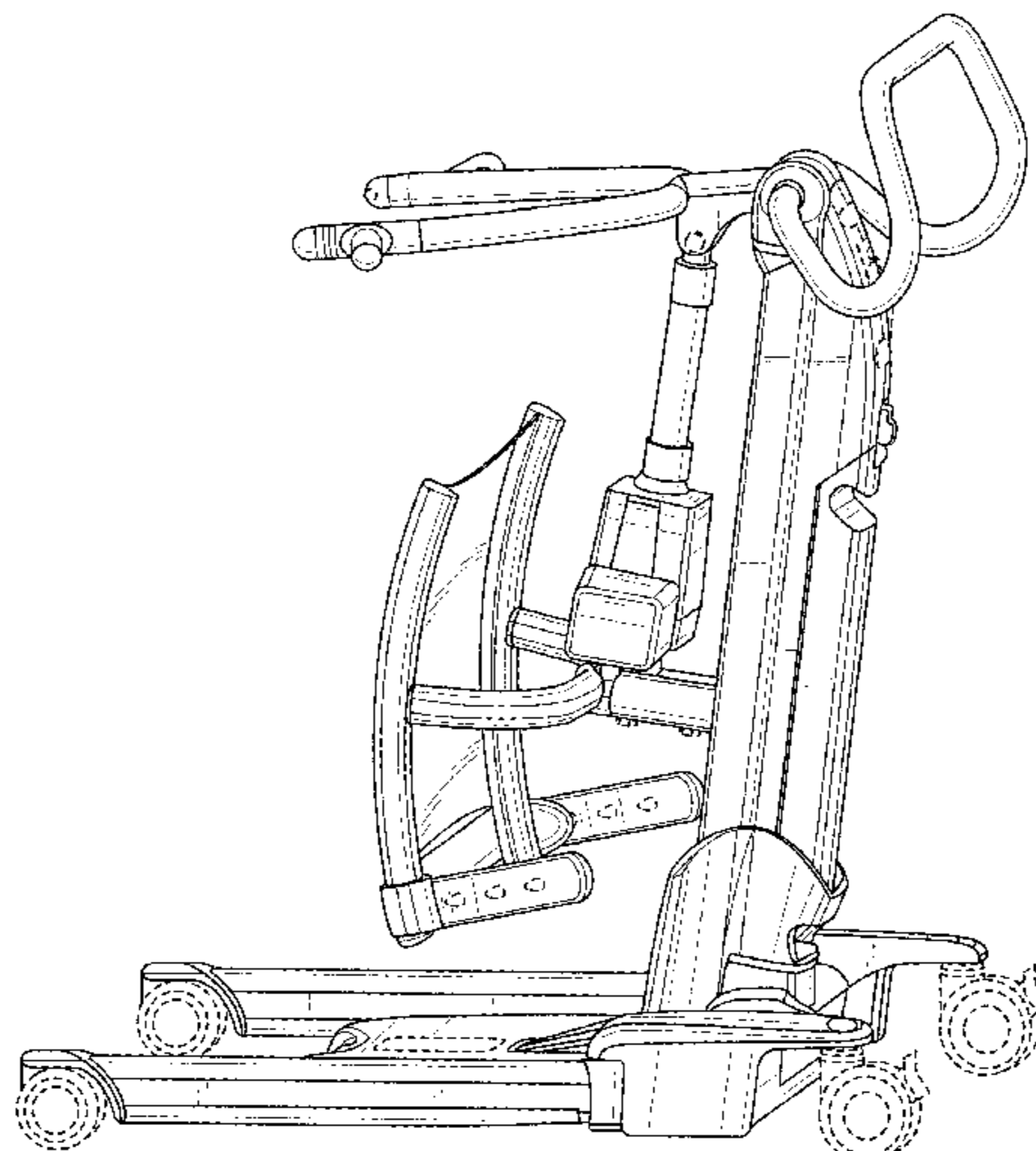
The ornamental design for a mobile standing and raising aid, as shown and described.

**DESCRIPTION**

FIG. 1 is a left perspective view of a mobile standing and raising aid, showing our new design;  
FIG. 2 is a right rear perspective view thereof;  
FIG. 3 is a right side elevation view thereof;  
FIG. 4 is a front elevation view thereof;  
FIG. 5 is a rear elevation view thereof;  
FIG. 6 is a top view thereof; and,  
FIG. 7 is a bottom view thereof.

The portions of the mobile standing and raising aid shown in broken lines form no part of the claimed design.

**1 Claim, 7 Drawing Sheets**



(56)

**References Cited**

U.S. PATENT DOCUMENTS

9,576,470 B2 \* 2/2017 Jensen ..... G08C 17/02  
2006/0026755 A1 \* 2/2006 Bain ..... A61G 7/1017  
5/86.1

\* cited by examiner

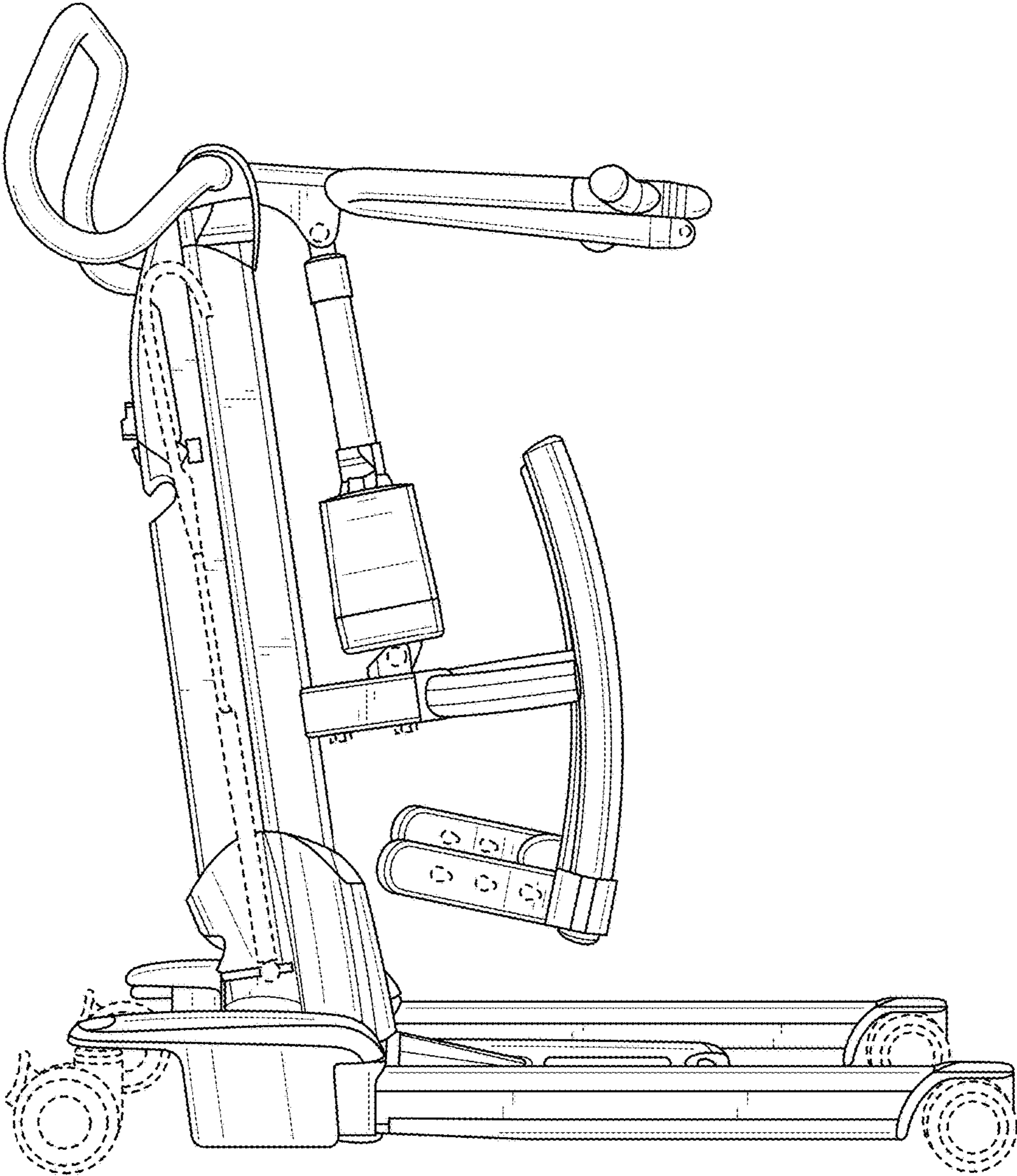


FIG. 1

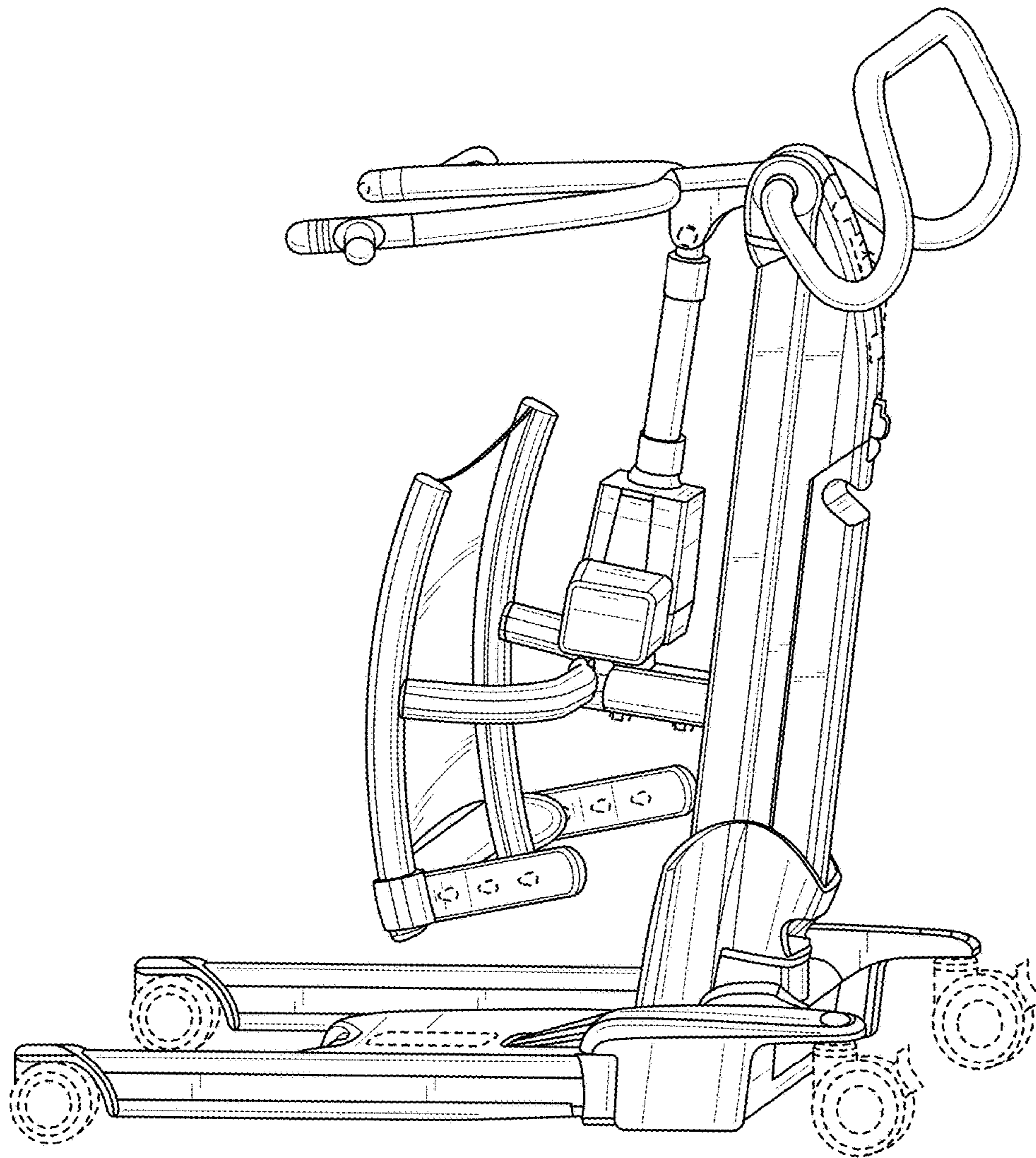


FIG. 2

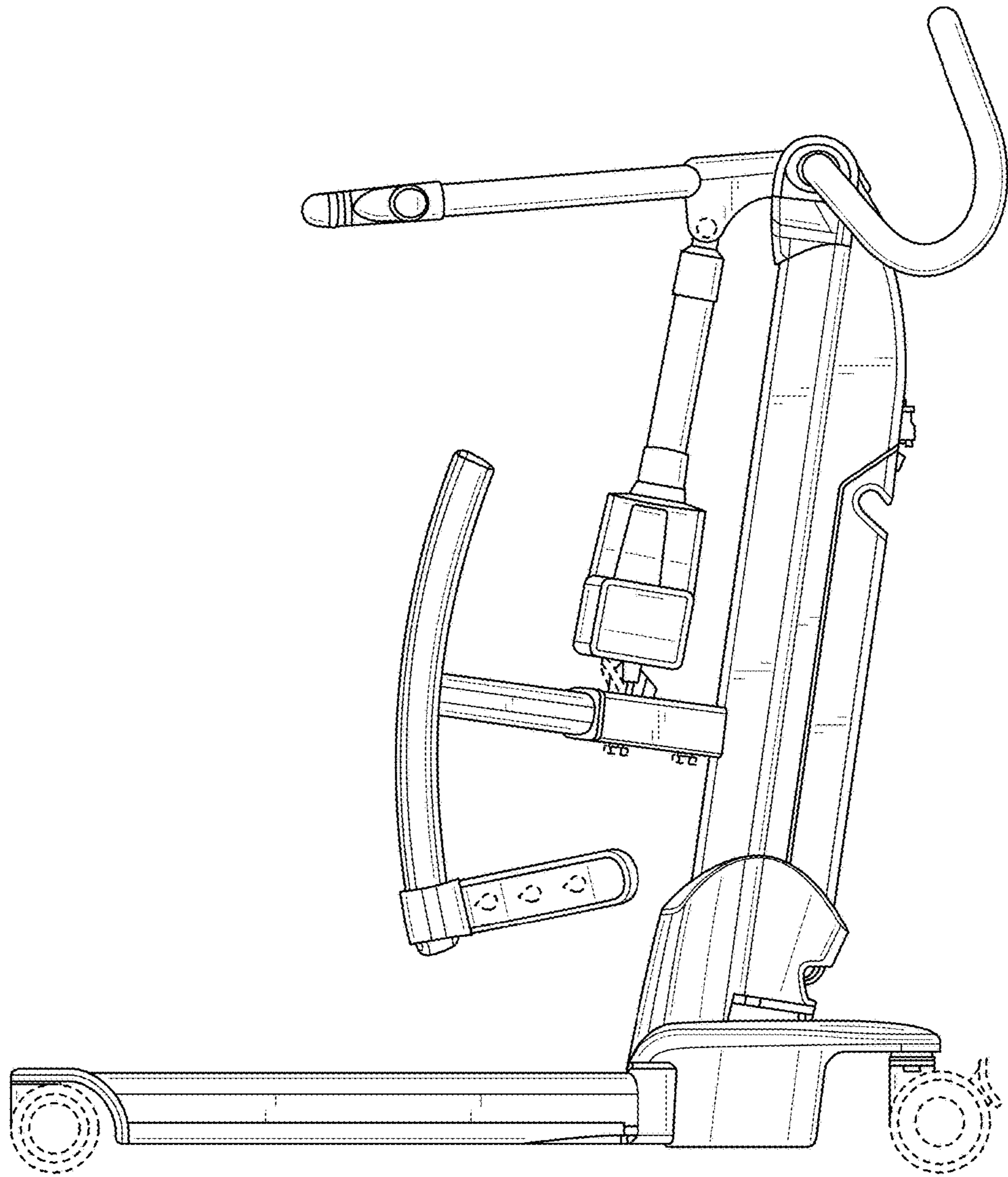


FIG. 3

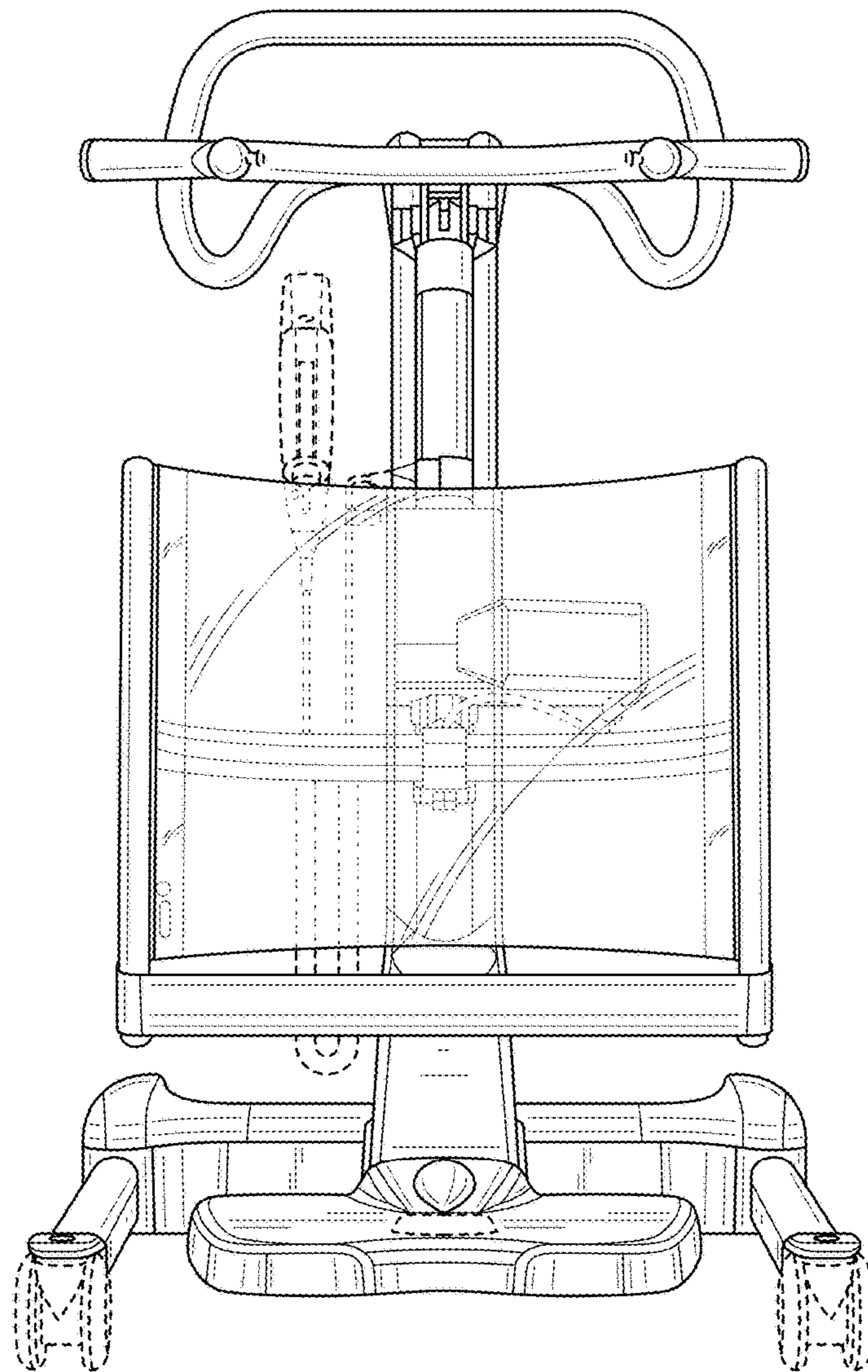


FIG. 4

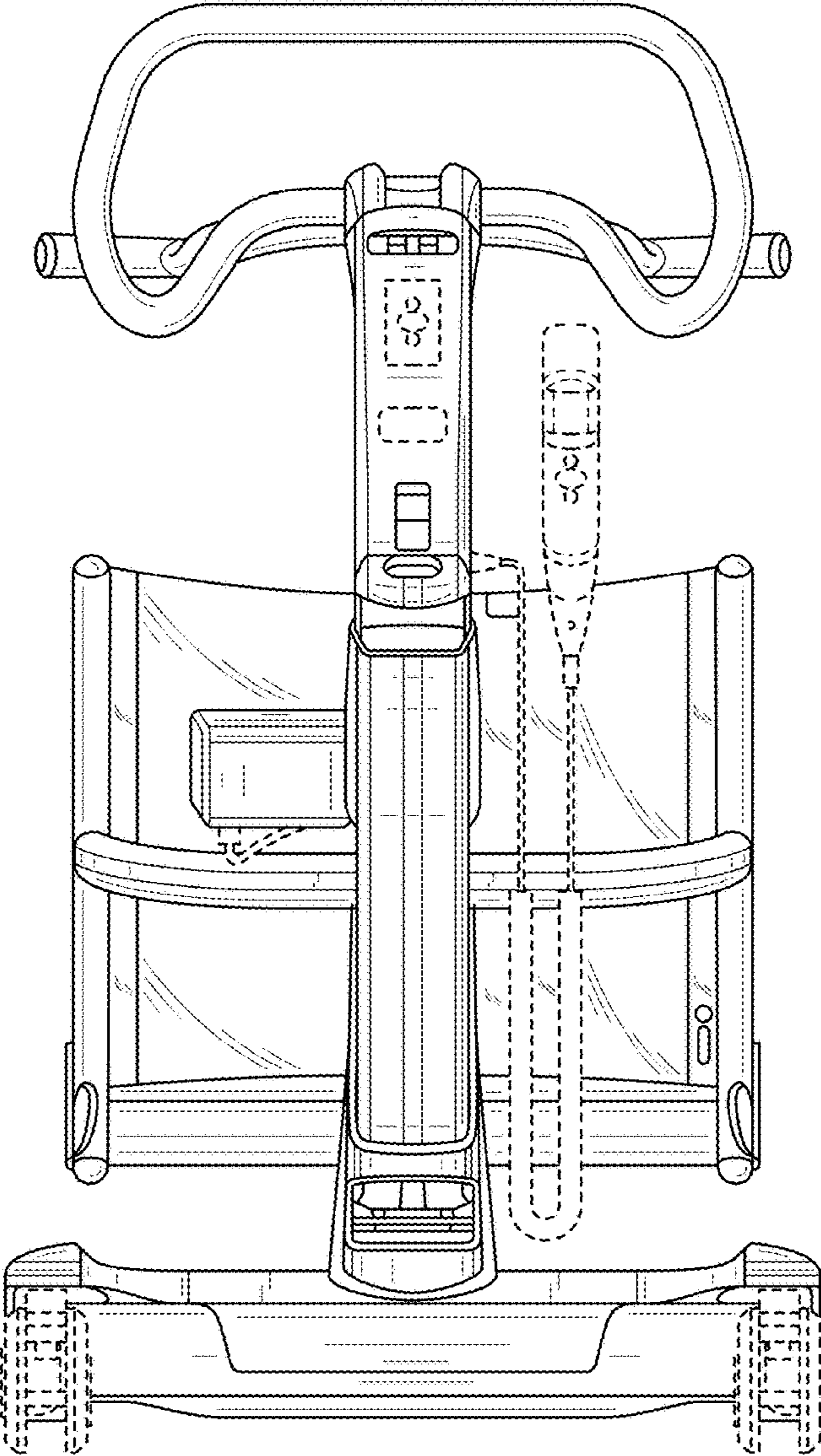


FIG. 5

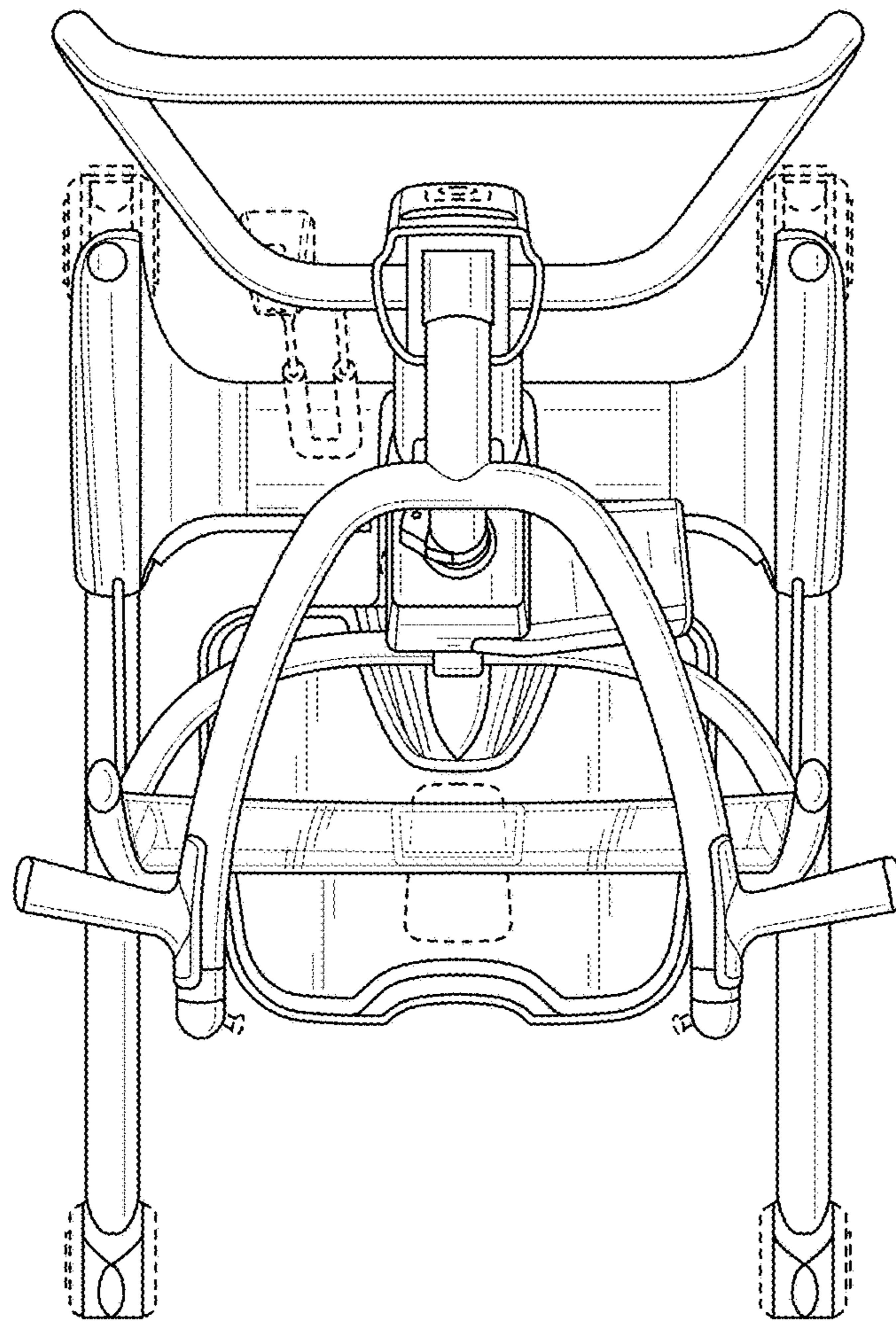


FIG. 6



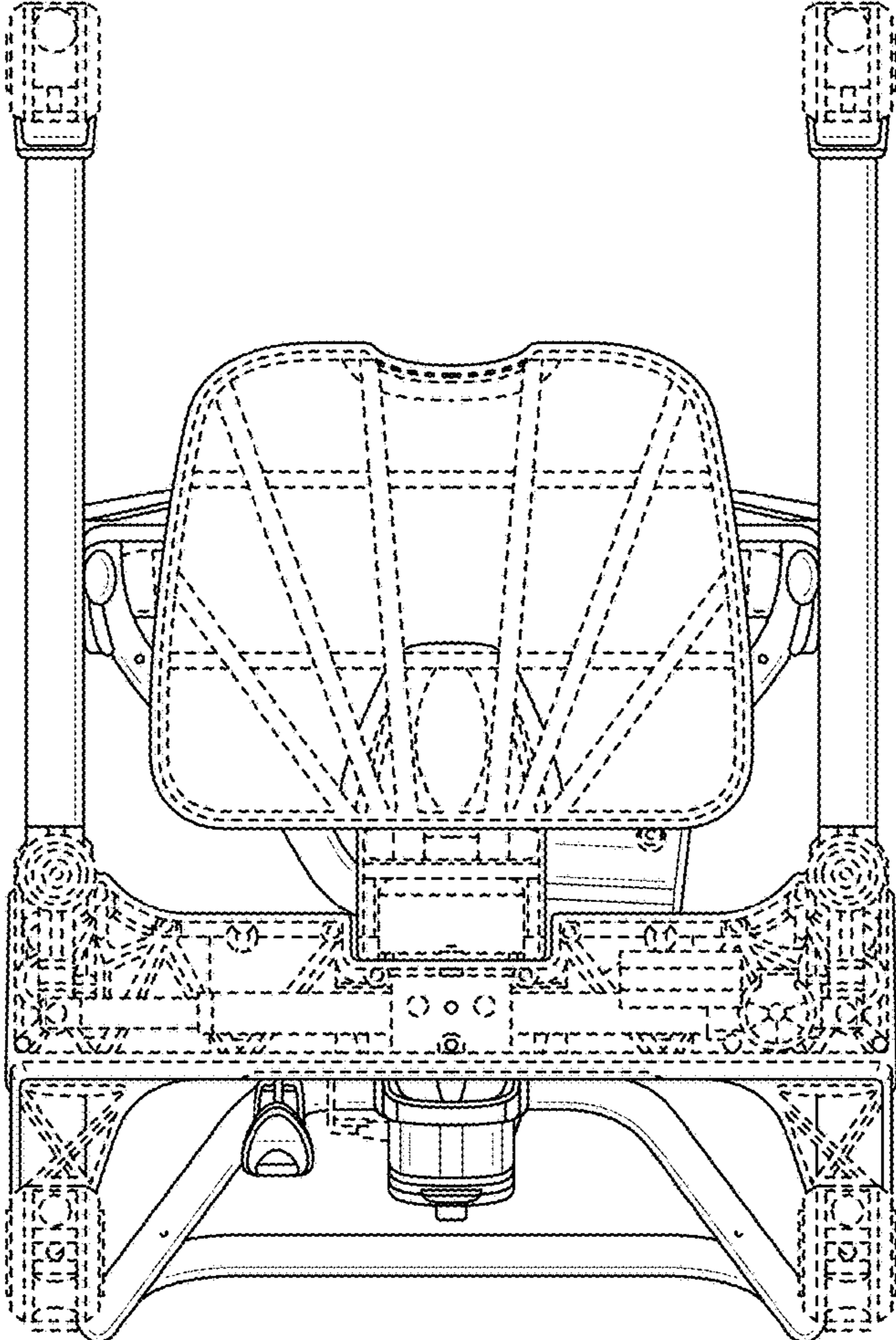


FIG. 7