



US00D849607S

(12) **United States Design Patent**  
**Tomasi**

(10) **Patent No.:** **US D849,607 S**  
(45) **Date of Patent:** **\*\* May 28, 2019**

(54) **FRAME FOR PUSHCHAIR OR BABY CARRIAGE**

(71) Applicant: **L'INGLESINA BABY S.P.A.**, Altavilla  
Vicentina (IT)

(72) Inventor: **Ivan Tomasi**, Creazzo (IT)

(73) Assignee: **L'INGLESINA BABY S.P.A.**, Altavilla  
Vicentina (IT)

(\*\*) Term: **15 Years**

(21) Appl. No.: **29/633,815**

(22) Filed: **Jan. 16, 2018**

(30) **Foreign Application Priority Data**

Jul. 14, 2017 (EM) ..... 004104578

(51) **LOC (11) Cl.** ..... **12-02**

(52) **U.S. Cl.**  
USPC ..... **D12/129**

(58) **Field of Classification Search**  
USPC ..... D12/128-133  
CPC ..... B62B 7/00-7/04; B62B 9/00-9/28  
See application file for complete search history.

(56) **References Cited**

**U.S. PATENT DOCUMENTS**

D375,707 S \* 11/1996 Yang ..... D12/129  
D519,422 S \* 4/2006 Huang ..... D12/129  
7,267,359 B1 \* 9/2007 Yang ..... B62B 7/08  
280/47.34  
7,364,171 B2 \* 4/2008 Hu ..... B60B 1/006  
280/47.38

D578,044 S \* 10/2008 Chen ..... D12/129  
D596,996 S \* 7/2009 Yang ..... D12/129  
D621,306 S \* 8/2010 Liao ..... D12/129  
D643,343 S \* 8/2011 Song ..... D12/129  
D661,624 S \* 6/2012 Stopp ..... D12/129  
D672,692 S \* 12/2012 Santamaria ..... D12/129  
D677,605 S \* 3/2013 Ide ..... D12/129  
D789,838 S \* 6/2017 Johar ..... D12/129  
D818,400 S \* 5/2018 Barenbrug ..... D12/133  
D835,009 S \* 12/2018 Taylor ..... D12/129  
2003/0111825 A1 \* 6/2003 Lo ..... B62B 7/145  
280/642  
2005/0098982 A1 \* 5/2005 Huang ..... B62B 7/08  
280/642

\* cited by examiner

*Primary Examiner* — Charles D Hanson

(74) *Attorney, Agent, or Firm* — Cantor Colburn LLP

(57) **CLAIM**

I claim, the ornamental design for a frame for pushchair or baby carriage, as shown and described.

**DESCRIPTION**

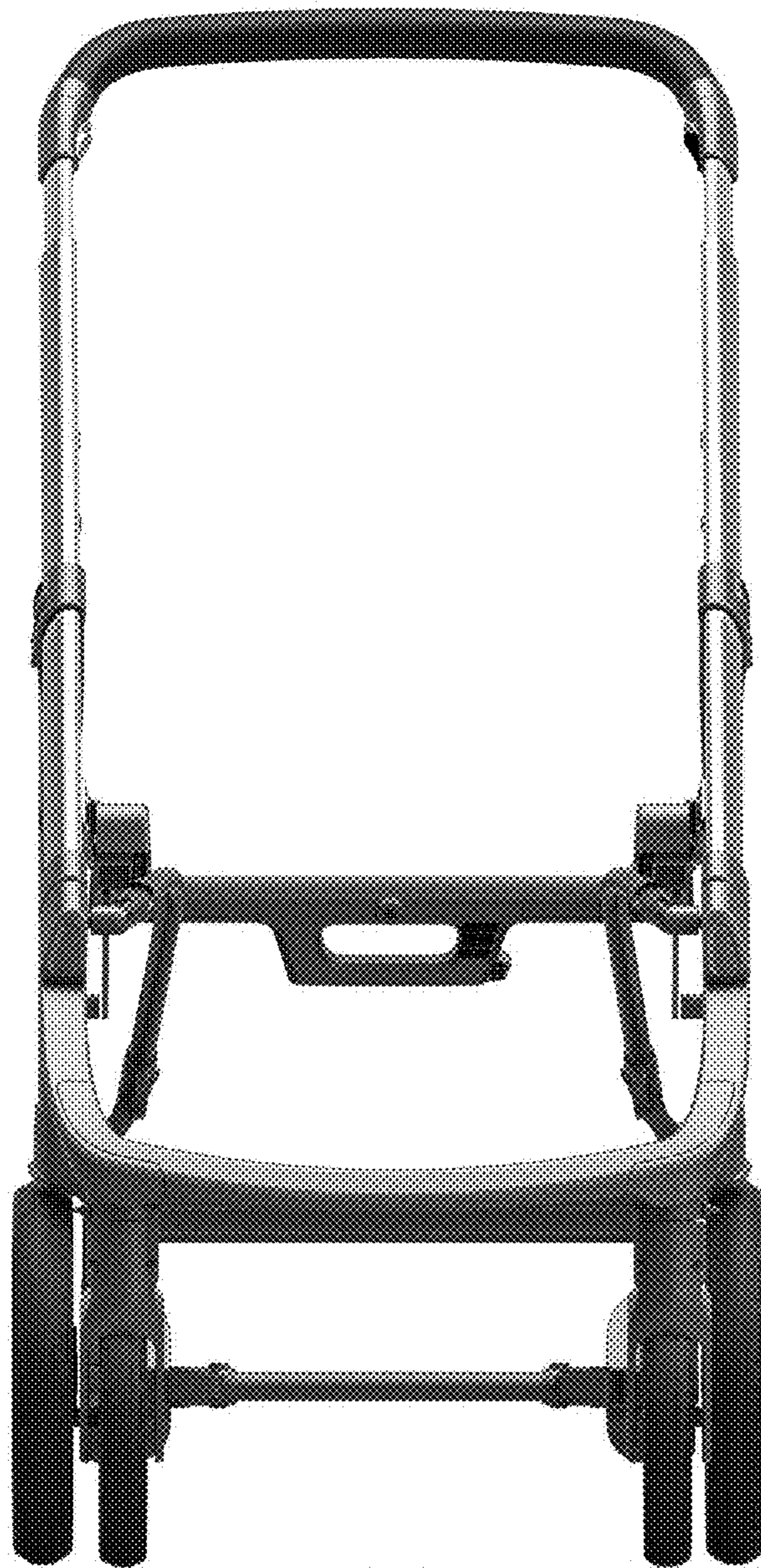
FIG. 1 is a perspective view of a frame for pushchair or baby carriage, showing my new design;  
FIG. 2 is a front elevation view thereof;  
FIG. 3 is a rear elevation view thereof;  
FIG. 4 is a left side elevation view thereof;  
FIG. 5 is a top plan view thereof;  
FIG. 6 is a bottom plan view thereof;  
FIG. 7 is a perspective view thereof;  
FIG. 8 is a left side elevation view thereof with the handle retracted; and,  
FIG. 9 is a right side elevation view thereof.

**1 Claim, 9 Drawing Sheets**

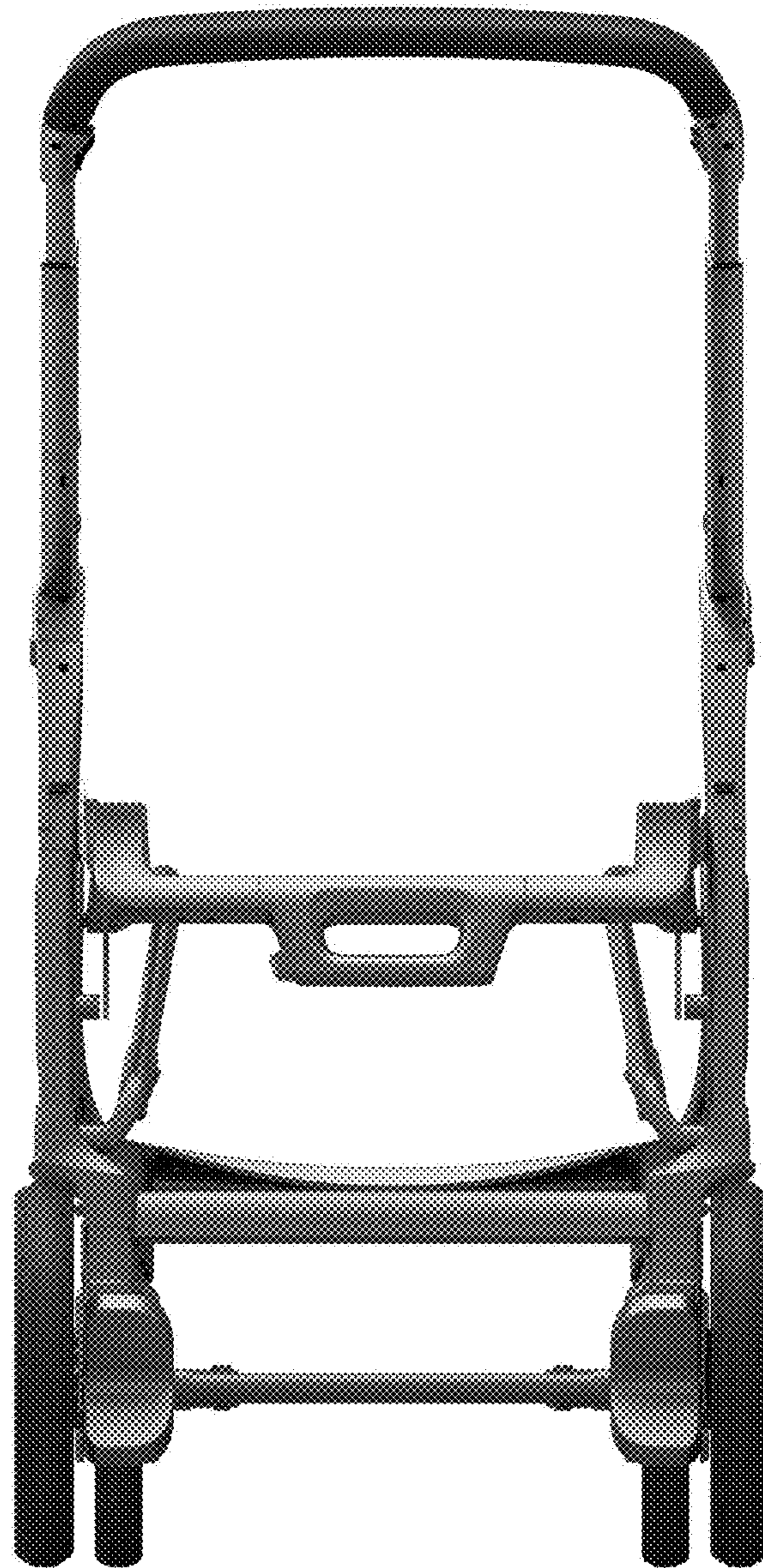




*Fig. 1*



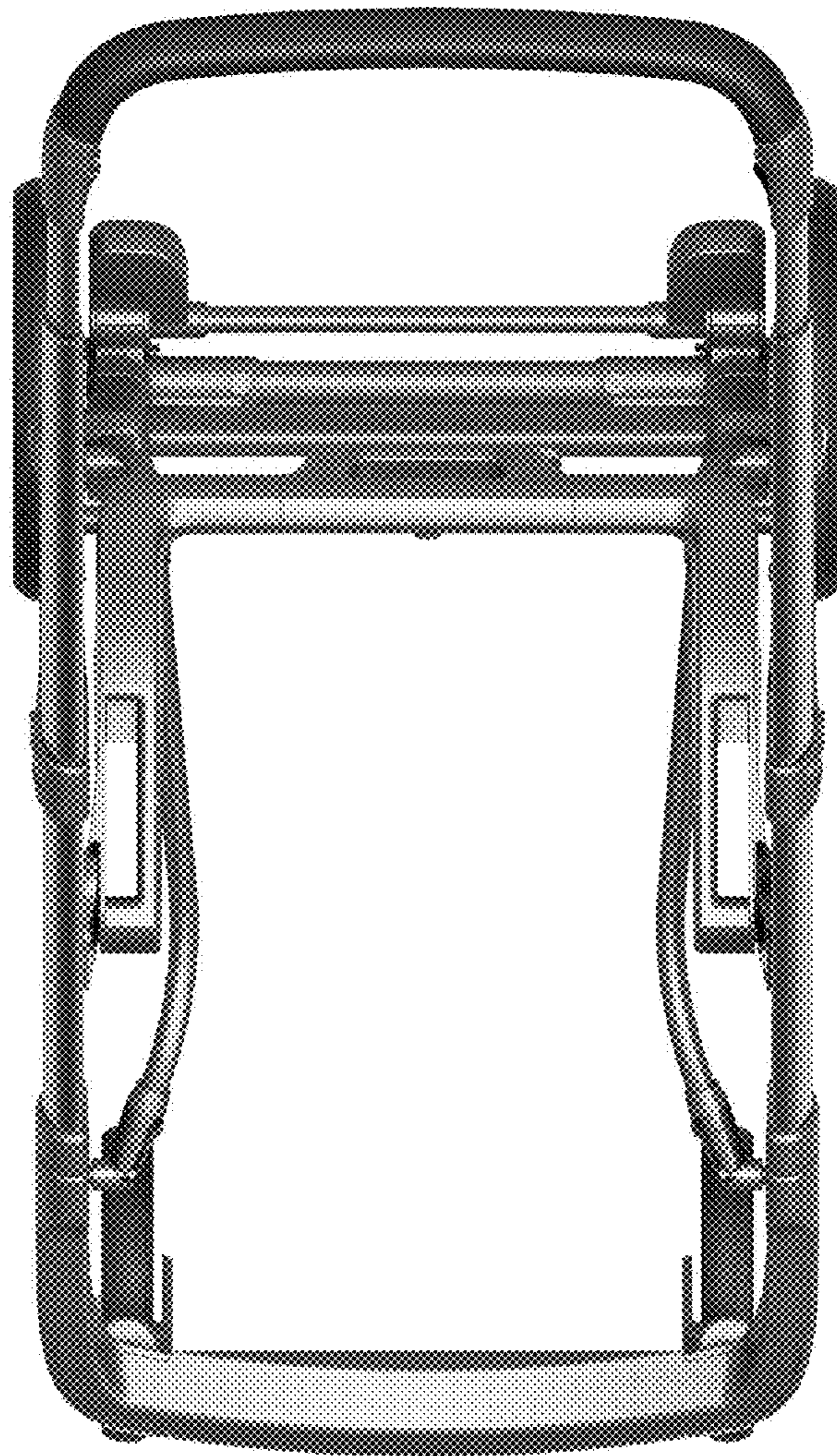
*Fig.2*



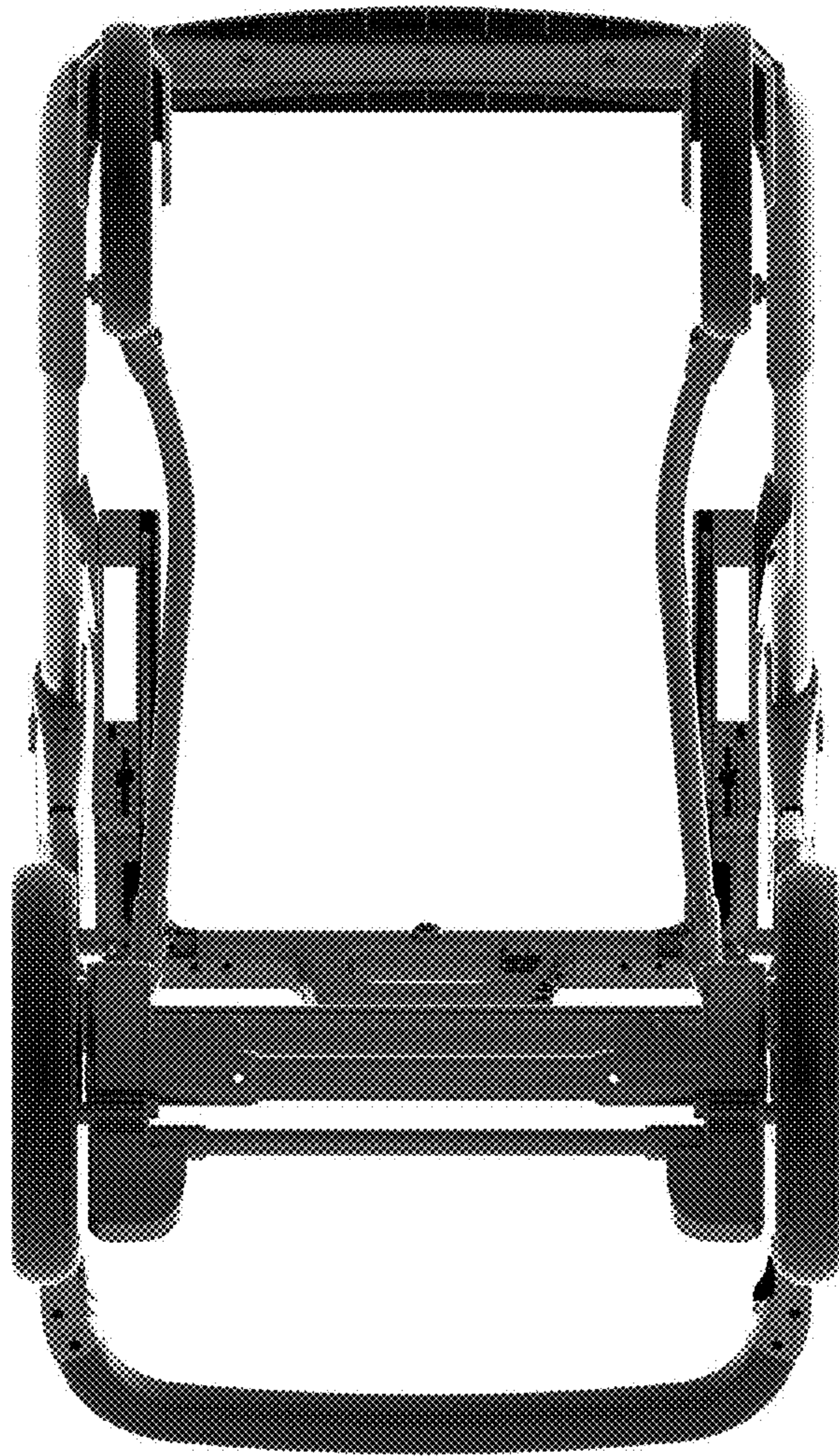
*Fig.3*



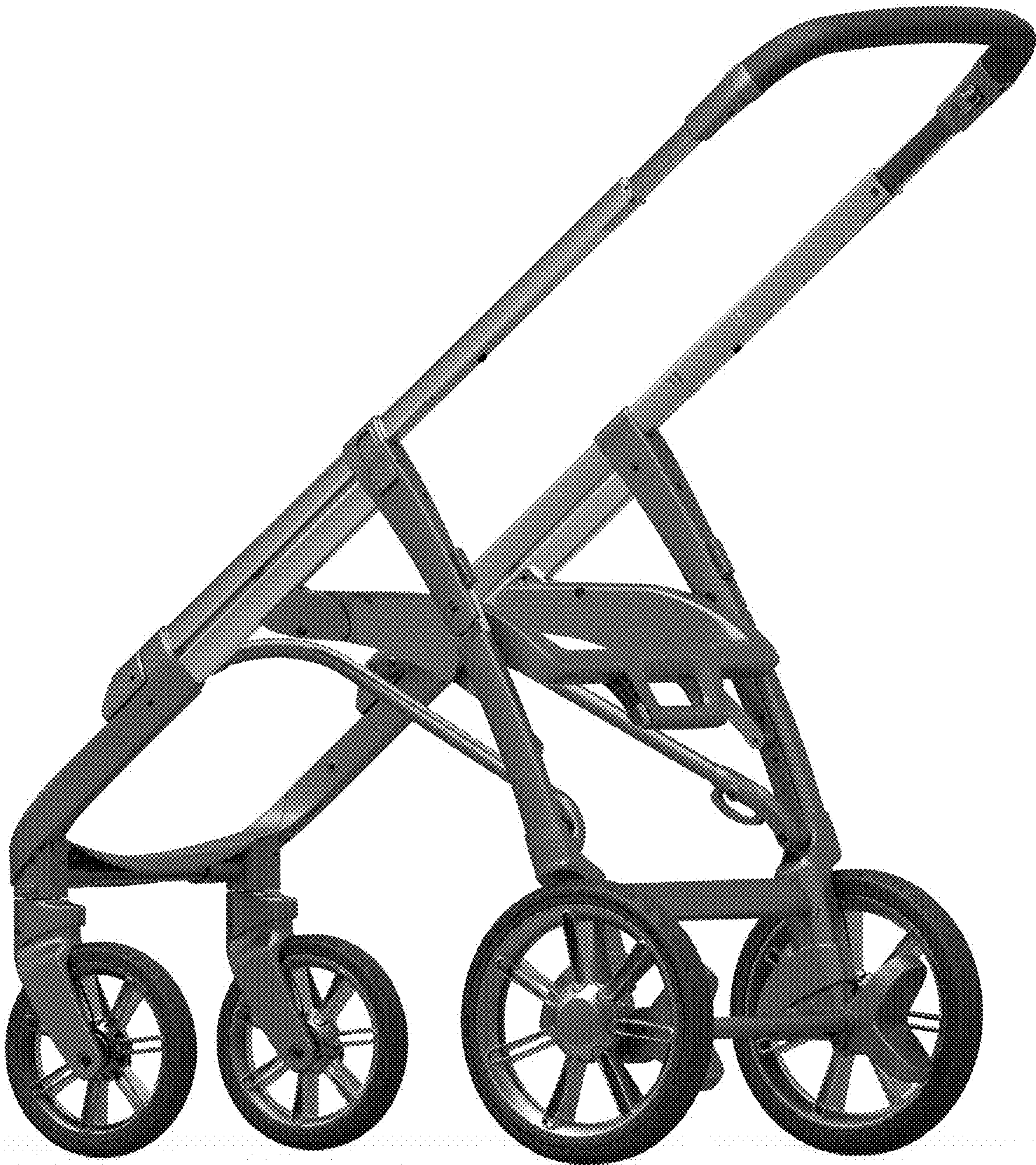
*Fig.4*



*Fig.5*



*Fig.6*



*Fig.7*





*Fig.8*



*Fig.9*