

US00D849604S

(12) **United States Design Patent** (10) **Patent No.:** **US D849,604 S**
Wu (45) **Date of Patent:** **** May 28, 2019**

(54) **ELECTRO-TRICYCLE**
(71) Applicant: **CHONGQING YINGANG TECHNOLOGY (GROUP) CO., LTD.**, Chongqing (CN)
(72) Inventor: **Yi Wu**, Chongqing (CN)
(73) Assignee: **CHONGQING YINGANG TECHNOLOGY (GROUP) CO., LTD.**, Chongqing (CN)

(**) Term: **15 Years**

(21) Appl. No.: **29/629,313**

(22) Filed: **Dec. 12, 2017**

(30) **Foreign Application Priority Data**

Jun. 14, 2017 (CN) 2017 3 0242593

(51) **LOC (11) Cl.** **12-02**

(52) **U.S. Cl.**
USPC **D12/128**

(58) **Field of Classification Search**
USPC D12/128-133
CPC A61G 5/04; A61G 5/041-5/047; A61G 2005/048

See application file for complete search history.

(56) **References Cited**

U.S. PATENT DOCUMENTS

D401,190 S * 11/1998 Krause D12/128
D454,814 S * 3/2002 Ou D12/128

D460,028 S * 7/2002 Wu D12/128
D526,938 S * 8/2006 Nagel D12/128
D556,647 S * 12/2007 Yamagishi D12/131
D561,651 S * 2/2008 Yamagishi D12/131
D576,920 S * 9/2008 Yang D12/107
D578,935 S * 10/2008 Yang D12/107
D590,751 S * 4/2009 Yang D12/128
D608,255 S * 1/2010 Arnell D12/132
D833,917 S * 11/2018 Jiang D12/128

* cited by examiner

Primary Examiner — Charles D Hanson

(74) *Attorney, Agent, or Firm* — Yue (Robert) Xu; Apex Attorneys at Law, LLP

(57) **CLAIM**

The ornamental design for an electro-tricycle, as shown and described.

DESCRIPTION

FIG. 1 is a front view of an electro-tricycle, showing my new design;

FIG. 2 is a rear view thereof;

FIG. 3 is a left view thereof;

FIG. 4 is a right view thereof;

FIG. 5 is a top view thereof;

FIG. 6 is a bottom view thereof;

FIG. 7 is a first perspective view thereof;

FIG. 8 is a second perspective view thereof;

FIG. 9 is a third perspective view thereof; and,

FIG. 10 is a fourth perspective view thereof.

1 Claim, 10 Drawing Sheets



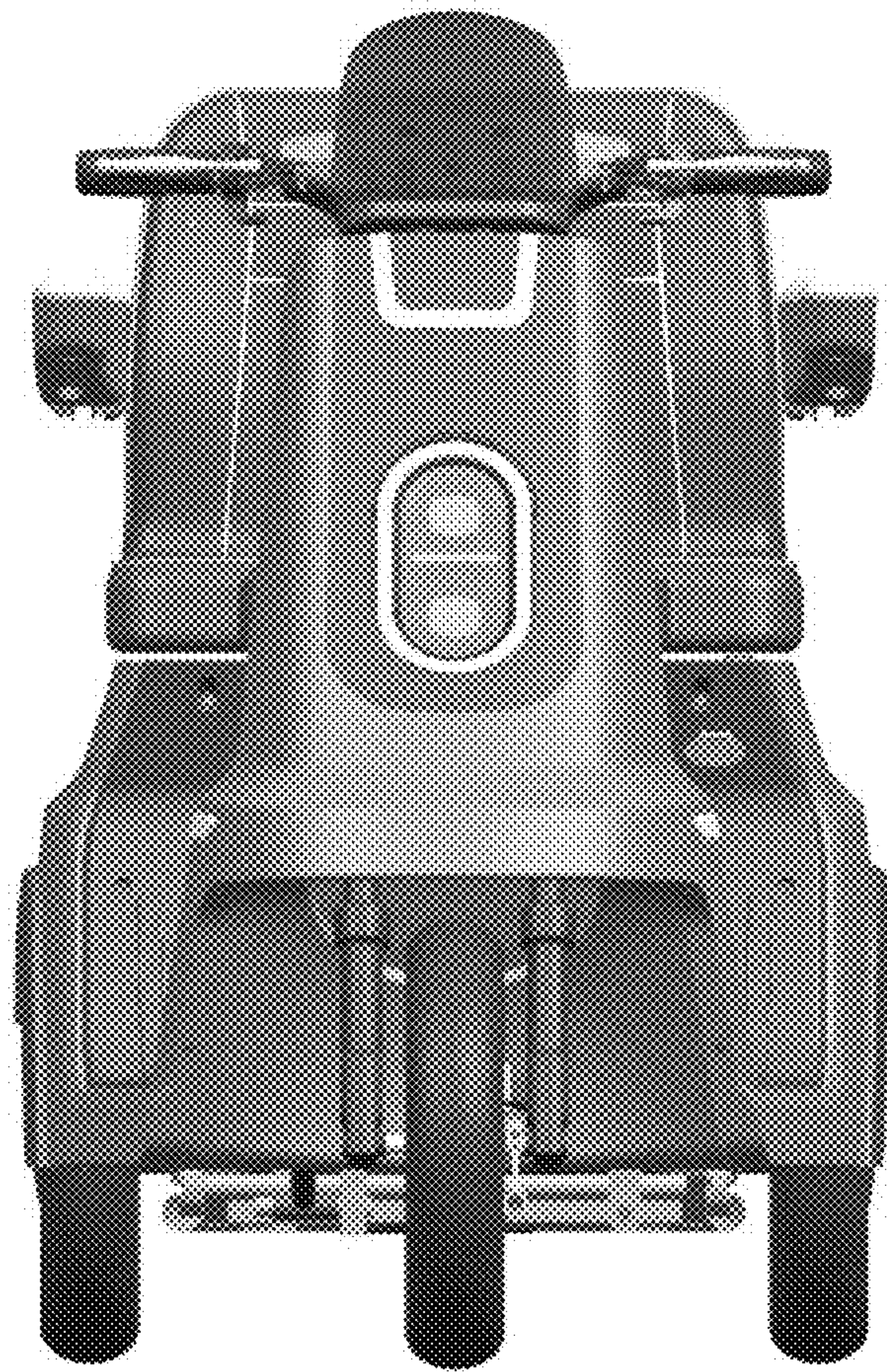


Figure 1

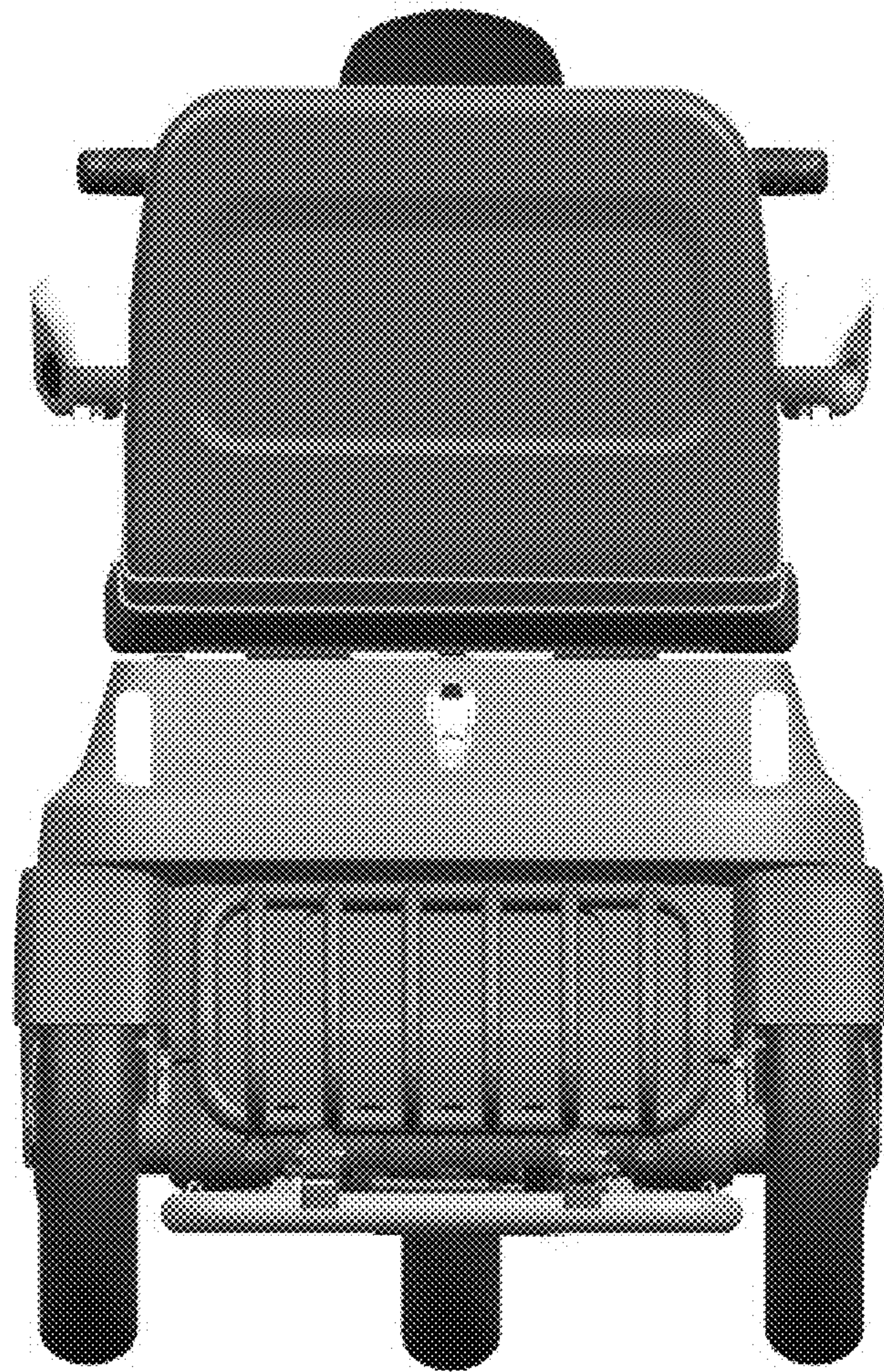


Figure 2

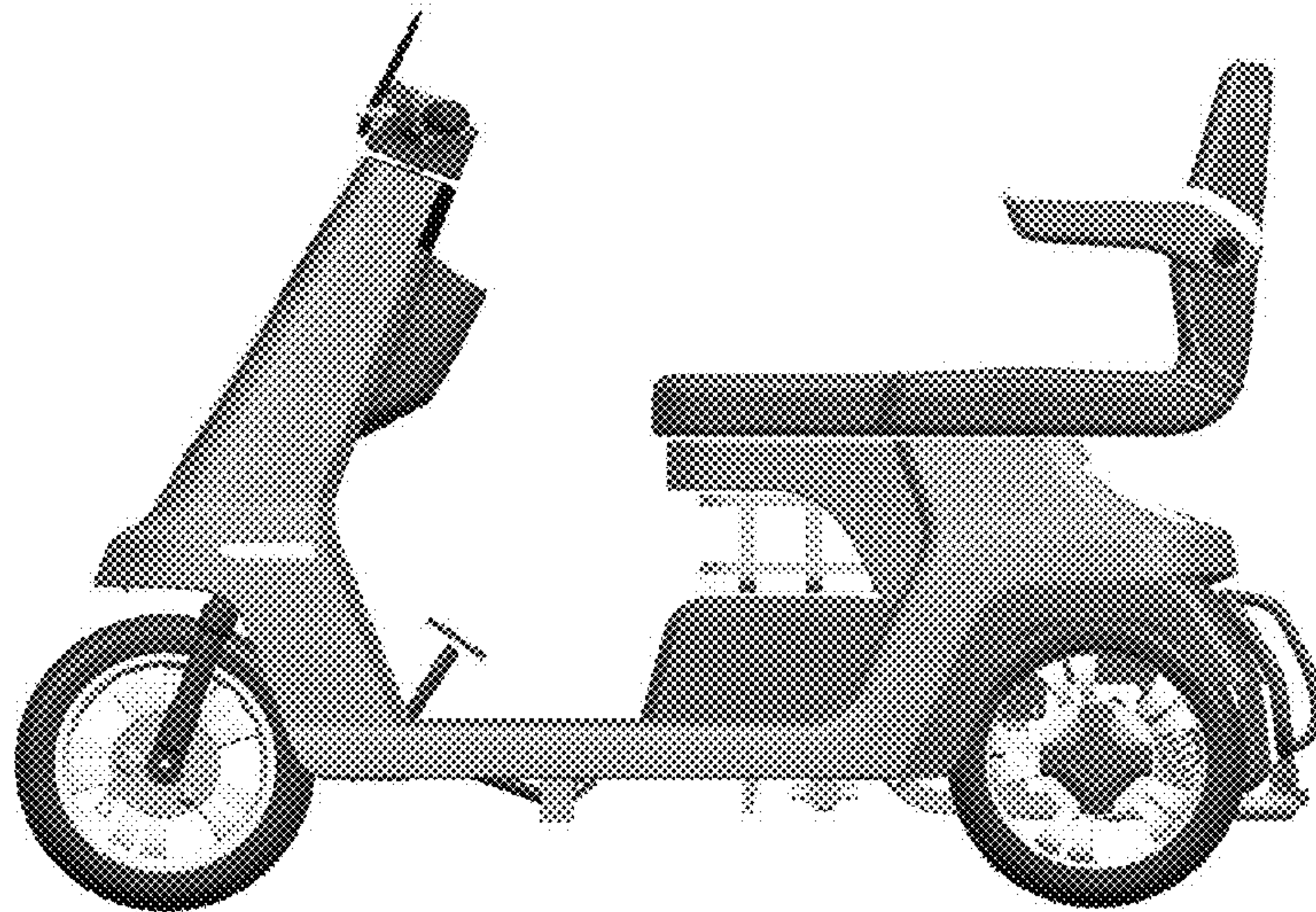


Figure 3

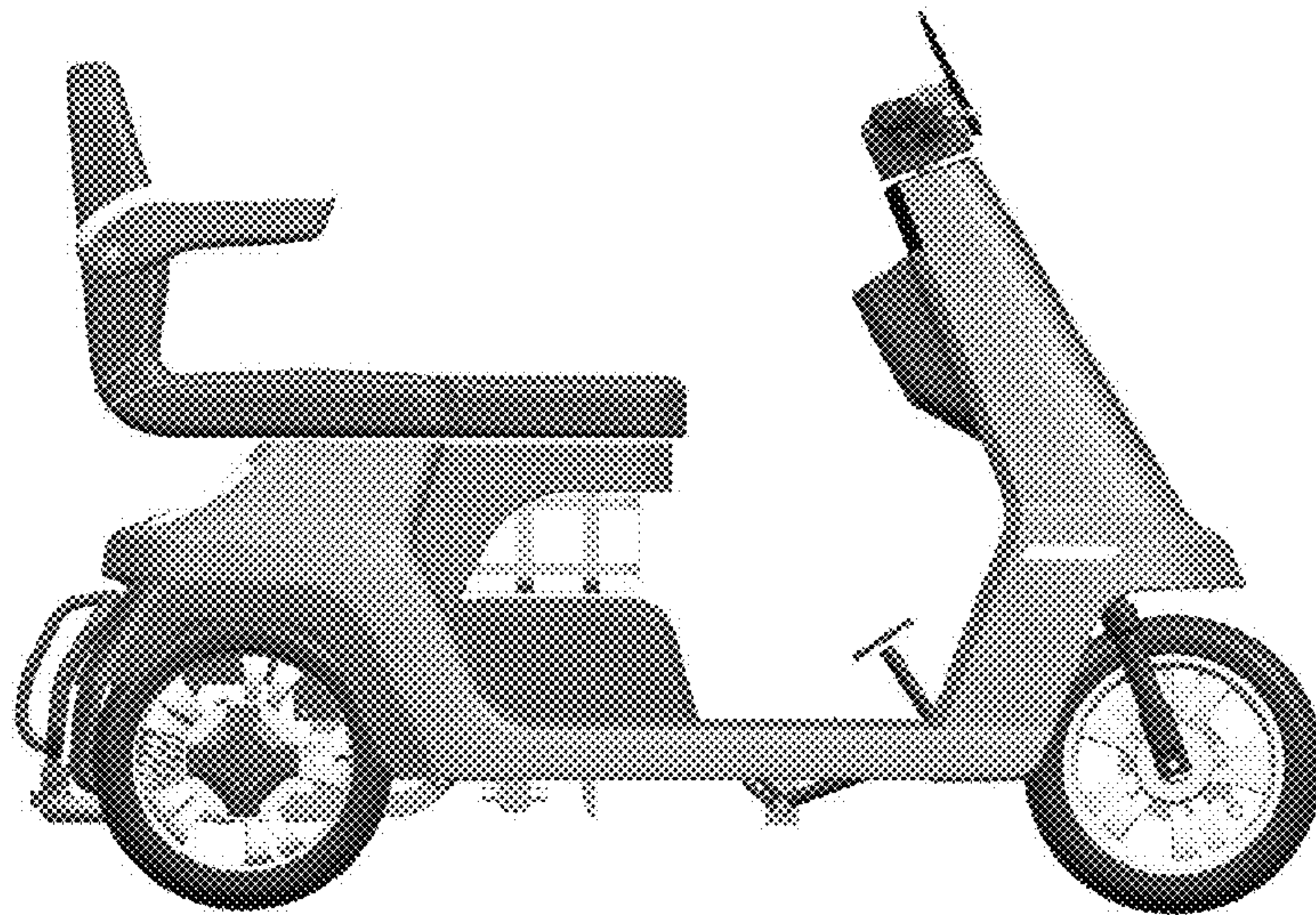


Figure 4

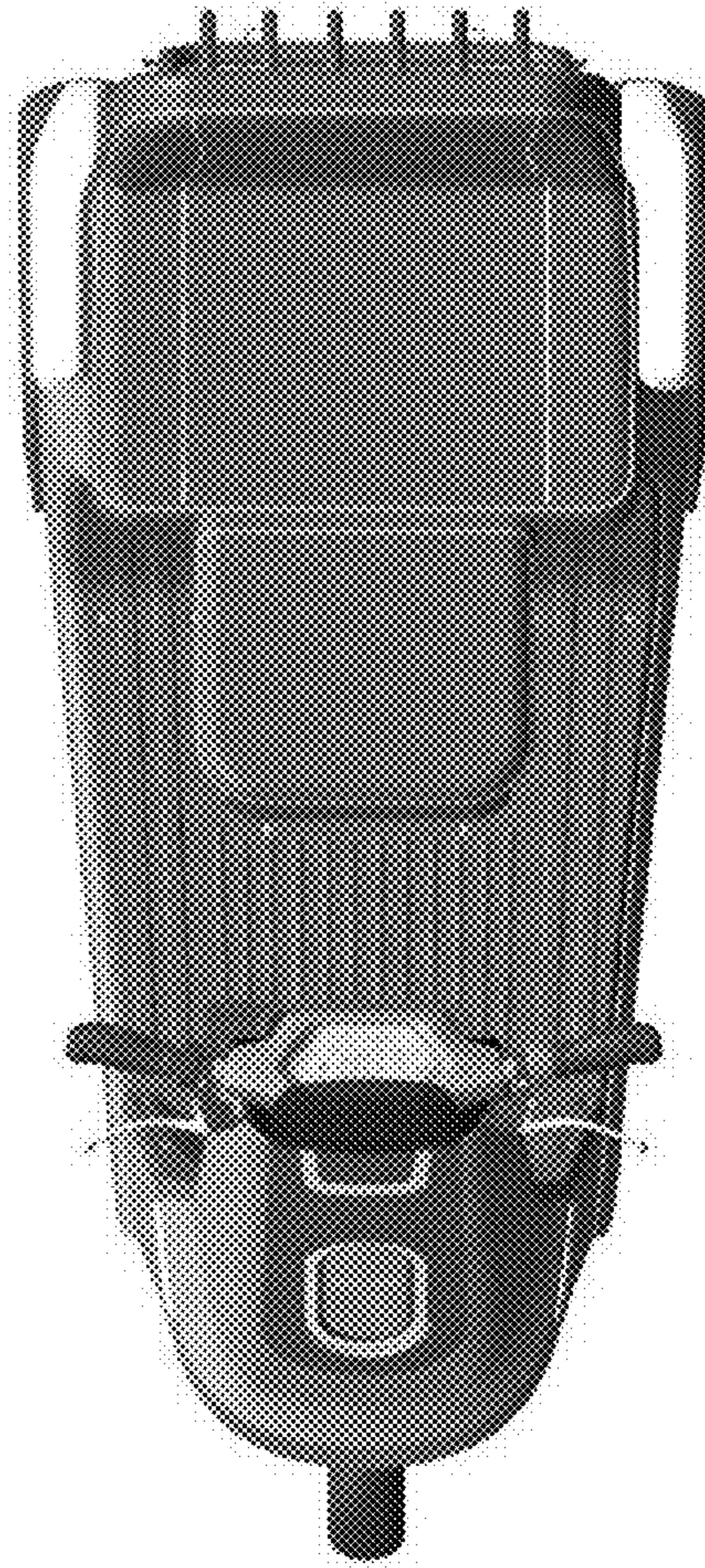


Figure 5

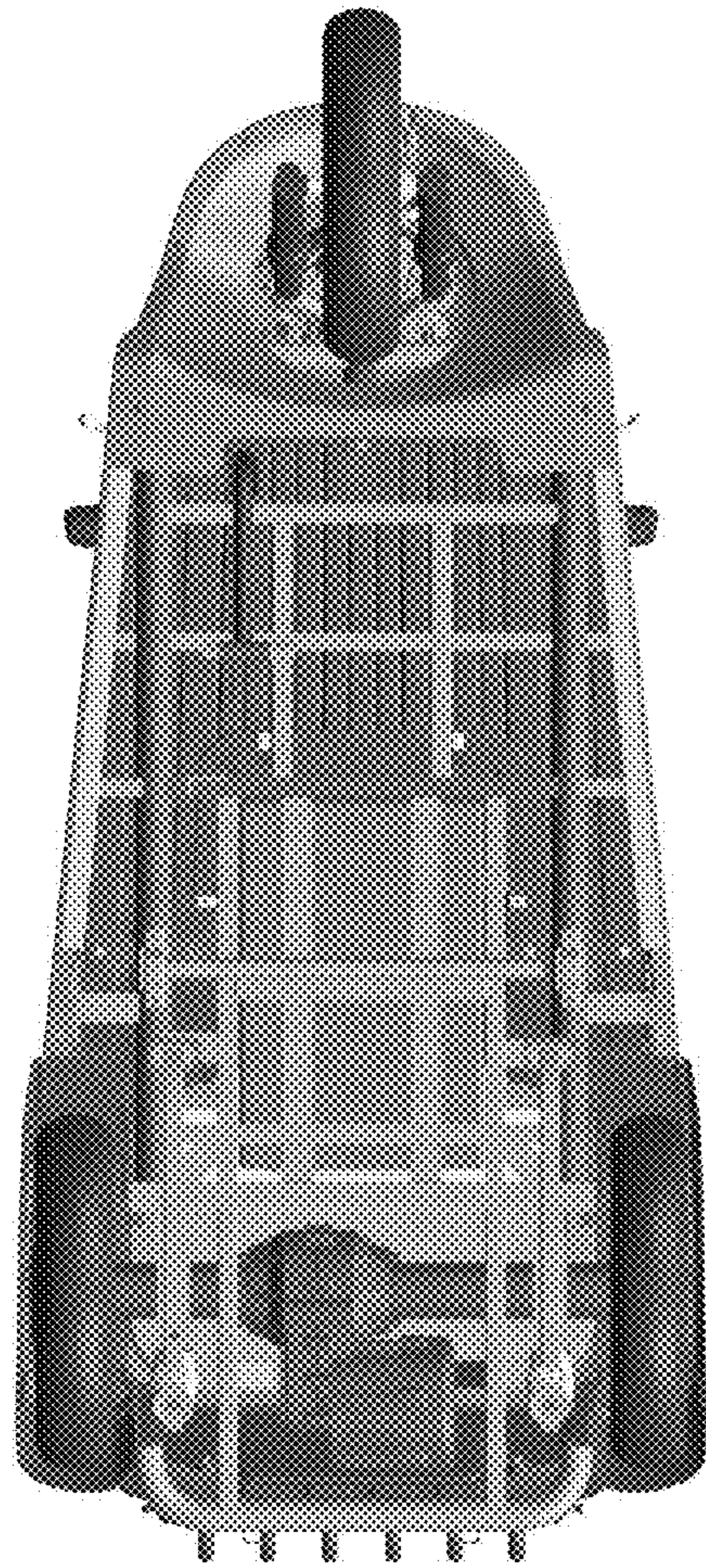


Figure 6



Figure 7

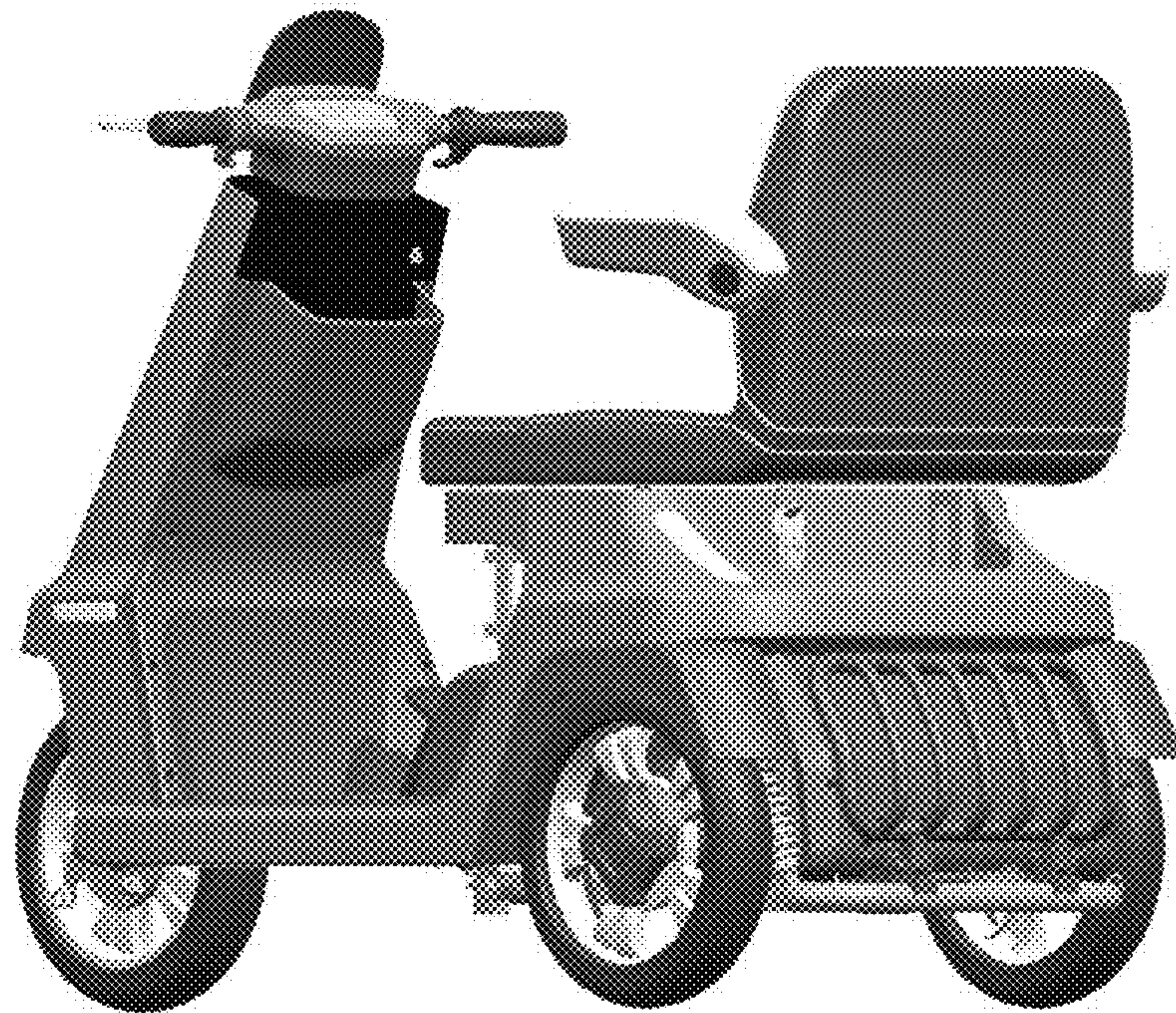


Figure 8



Figure 9

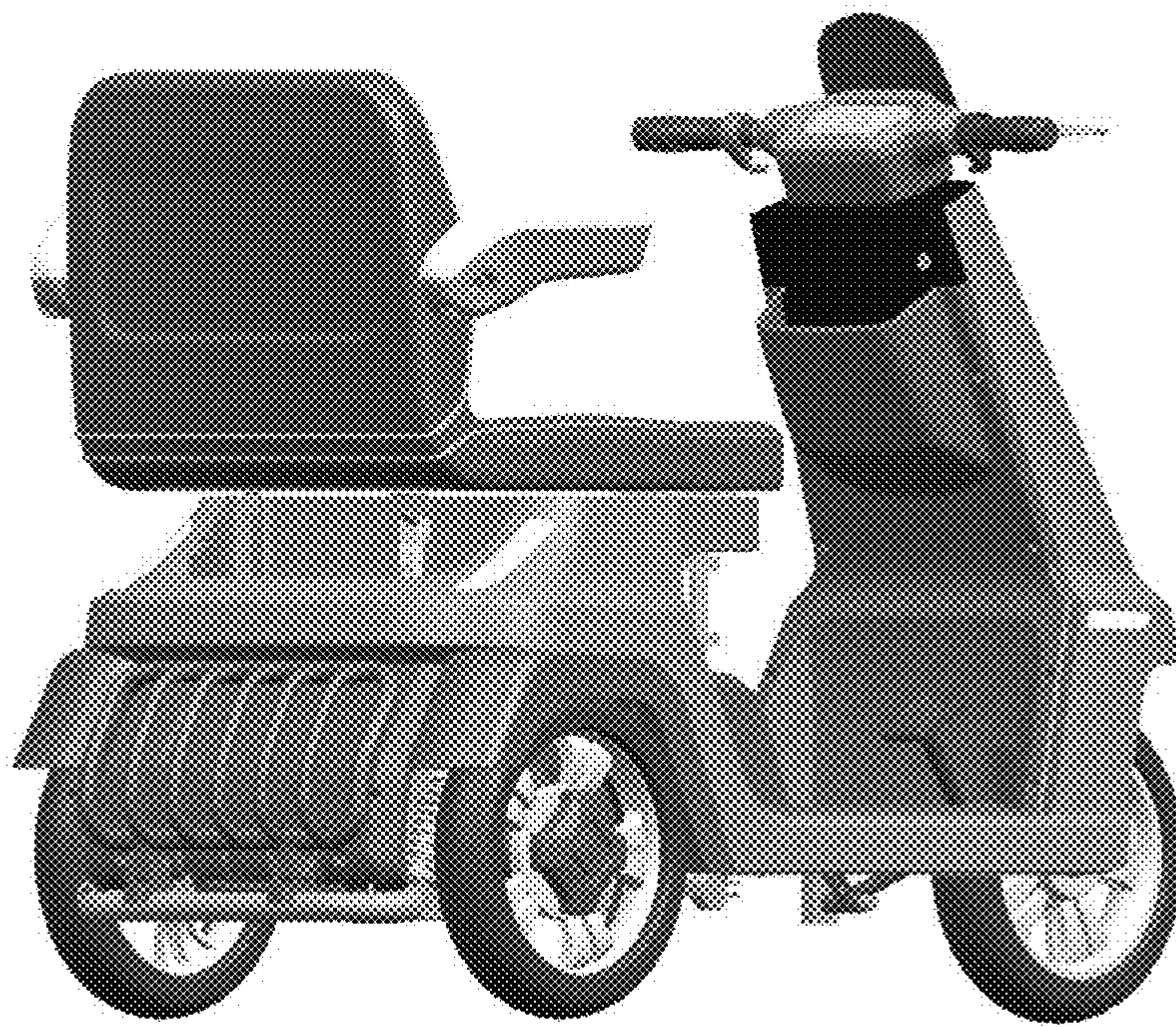


Figure 10