



US00D849602S

(12) **United States Design Patent**  
**Oyanagi et al.**

(10) **Patent No.:** **US D849,602 S**

(45) **Date of Patent:** **\*\* May 28, 2019**

- (54) **MOTORCYCLE**
- (71) Applicant: **Kawasaki Jukogyo Kabushiki Kaisha**,  
Kobe-shi, Hyogo (JP)
- (72) Inventors: **Juichi Oyanagi**, Kobe (JP); **Takumi Uemoto**, Kobe (JP)
- (73) Assignee: **KAWASAKI JUKOGYO KABUSHIKI KAISHA** (JP)
- (\*\*) Term: **15 Years**
- (21) Appl. No.: **29/619,550**
- (22) Filed: **Sep. 29, 2017**
- (51) **LOC (11) Cl.** ..... **12-11**
- (52) **U.S. Cl.**  
USPC ..... **D12/110**
- (58) **Field of Classification Search**  
USPC ..... D12/110, 111, 117; D21/432, 538  
CPC ..... B62K 11/00; B62K 11/02; B62K 11/04;  
B62K 11/10; B62K 17/00; B62K 19/00;  
B62K 2202/00  
See application file for complete search history.

- D594,786 S \* 6/2009 Sakata ..... D12/110
- D596,082 S \* 7/2009 Ueno ..... D12/110
- D597,449 S \* 8/2009 Nagao ..... D12/110
- D601,458 S \* 10/2009 Nagao ..... D12/110
- D605,089 S \* 12/2009 Tanaka ..... D12/110
- D605,090 S \* 12/2009 Tanaka ..... D12/110
- D606,457 S \* 12/2009 Tanaka ..... D12/110
- D611,390 S \* 3/2010 Toriyama ..... D12/110
- D638,756 S \* 5/2011 Kouchi ..... D12/110
- D643,341 S \* 8/2011 Uchiyama ..... D12/110
- D647,824 S \* 11/2011 Kouchi ..... D12/110
- D647,825 S \* 11/2011 Shibuta ..... D12/110
- D669,397 S \* 10/2012 Isokari ..... D12/110
- D669,821 S \* 10/2012 Nishihara ..... D12/110
- D670,204 S \* 11/2012 Yasuhara ..... D12/110
- D686,538 S \* 7/2013 Nagao ..... D12/110
- D688,982 S \* 9/2013 Oyanagi ..... D12/110
- D688,983 S \* 9/2013 Shibuta ..... D12/110
- D689,406 S \* 9/2013 Yasuhara ..... D12/110
- D694,673 S \* 12/2013 Katagiri ..... D12/110

(Continued)

**FOREIGN PATENT DOCUMENTS**

JP D1518179 2/2015

*Primary Examiner* — Darlington Ly

(57) **CLAIM**

The ornamental design for a motorcycle, as shown and described.

**DESCRIPTION**

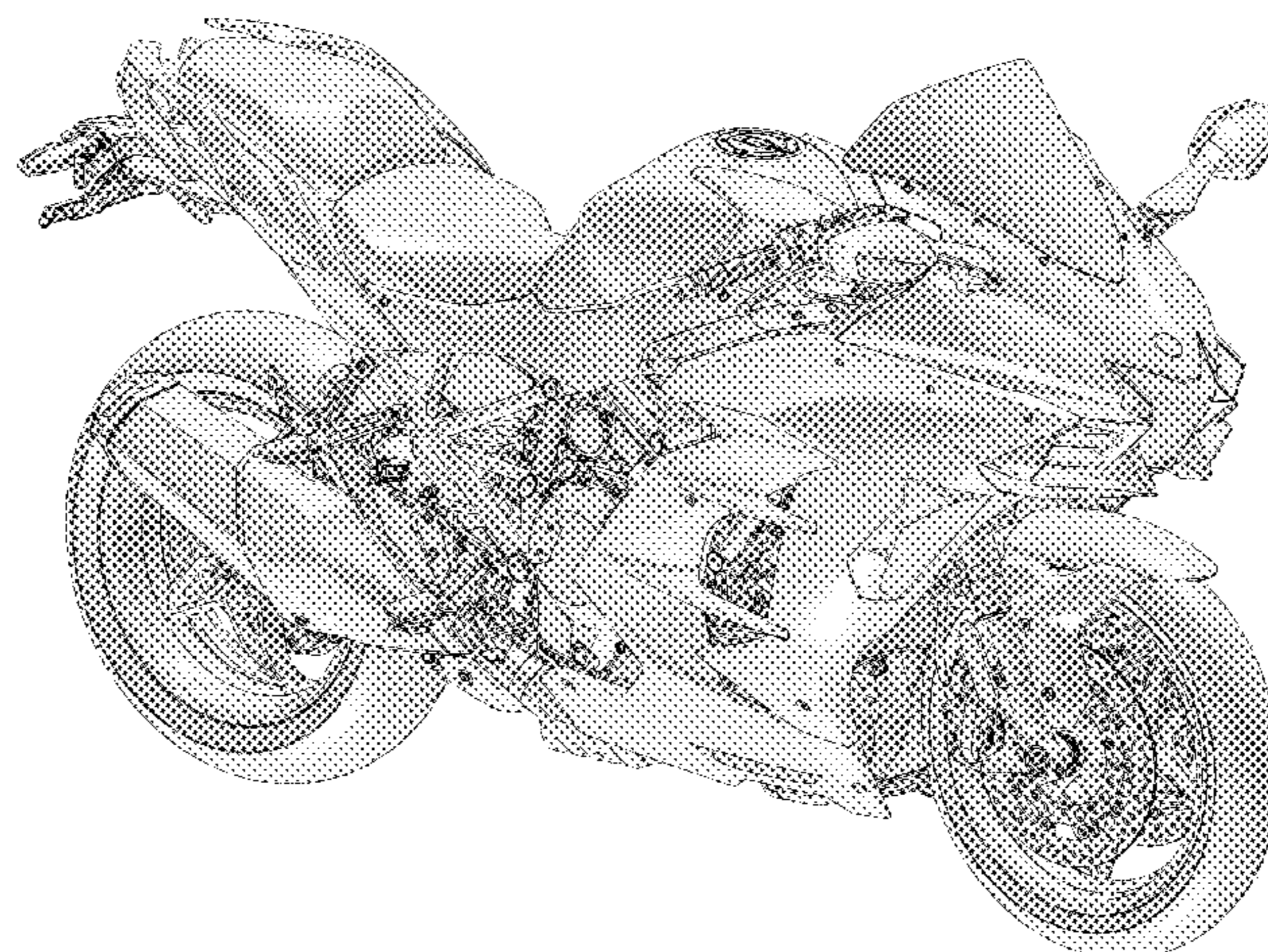
FIG. 1 is a front elevational view of a motorcycle showing our new design;  
FIG. 2 is a rear elevational view thereof;  
FIG. 3 is a left side elevational view thereof;  
FIG. 4 is a right side elevational view thereof;  
FIG. 5 is a top plan view thereof;  
FIG. 6 is a front and left side perspective view thereof; and,  
FIG. 7 is a rear and right side perspective view thereof.

**1 Claim, 7 Drawing Sheets**

(56) **References Cited**

**U.S. PATENT DOCUMENTS**

- D403,277 S \* 12/1998 Kokubu ..... D12/110
- D496,309 S \* 9/2004 Fukumoto ..... D12/110
- D504,844 S \* 5/2005 Sasanami ..... D12/110
- D548,649 S \* 8/2007 Heinrich ..... D12/110
- D549,137 S \* 8/2007 Heinrich ..... D12/110
- D551,129 S \* 9/2007 Takeda ..... D12/110
- D567,717 S \* 4/2008 Hishiki ..... D12/110
- D581,839 S \* 12/2008 Sasanami ..... D12/110
- D582,316 S \* 12/2008 Stenegard ..... D12/110
- D582,320 S \* 12/2008 Tanaka ..... D12/110
- D588,961 S \* 3/2009 Tanaka ..... D12/110
- D591,204 S \* 4/2009 Matsuzawa ..... D12/110
- D591,205 S \* 4/2009 Heinrich ..... D12/110



(56)

**References Cited**

## U.S. PATENT DOCUMENTS

8,807,259	B2 *	8/2014	Tominaga .....	B62K 11/04 180/219
8,827,024	B1 *	9/2014	Sumi .....	B62K 25/02 180/227
D718,669	S *	12/2014	Kiska .....	D12/110
D723,431	S *	3/2015	Noguchi .....	D12/110
D735,085	S *	7/2015	Buckan .....	D12/110
D736,677	S *	8/2015	Iimura .....	D12/110
D755,084	S *	5/2016	Sakata .....	D12/110
D755,680	S *	5/2016	Yashuhara .....	D12/110
D755,681	S *	5/2016	Martin .....	D12/110
D755,682	S *	5/2016	Hahn-Woernle .....	D12/110
D756,268	S *	5/2016	Yamada .....	D12/110
D758,923	S *	6/2016	Yamada .....	D12/110
D758,924	S *	6/2016	Tamura .....	D12/110
D795,746	S *	8/2017	Akita .....	D12/110
D797,002	S *	9/2017	Toyama .....	D12/110
D801,230	S *	10/2017	Endo .....	D12/110
2012/0318598	A1 *	12/2012	Fujiyama .....	B60K 5/12 180/219
2014/0084565	A1 *	3/2014	Nakamura .....	B62K 25/283 280/284
2015/0101875	A1 *	4/2015	Inayama .....	B60K 13/02 180/225

\* cited by examiner



Fig. 1

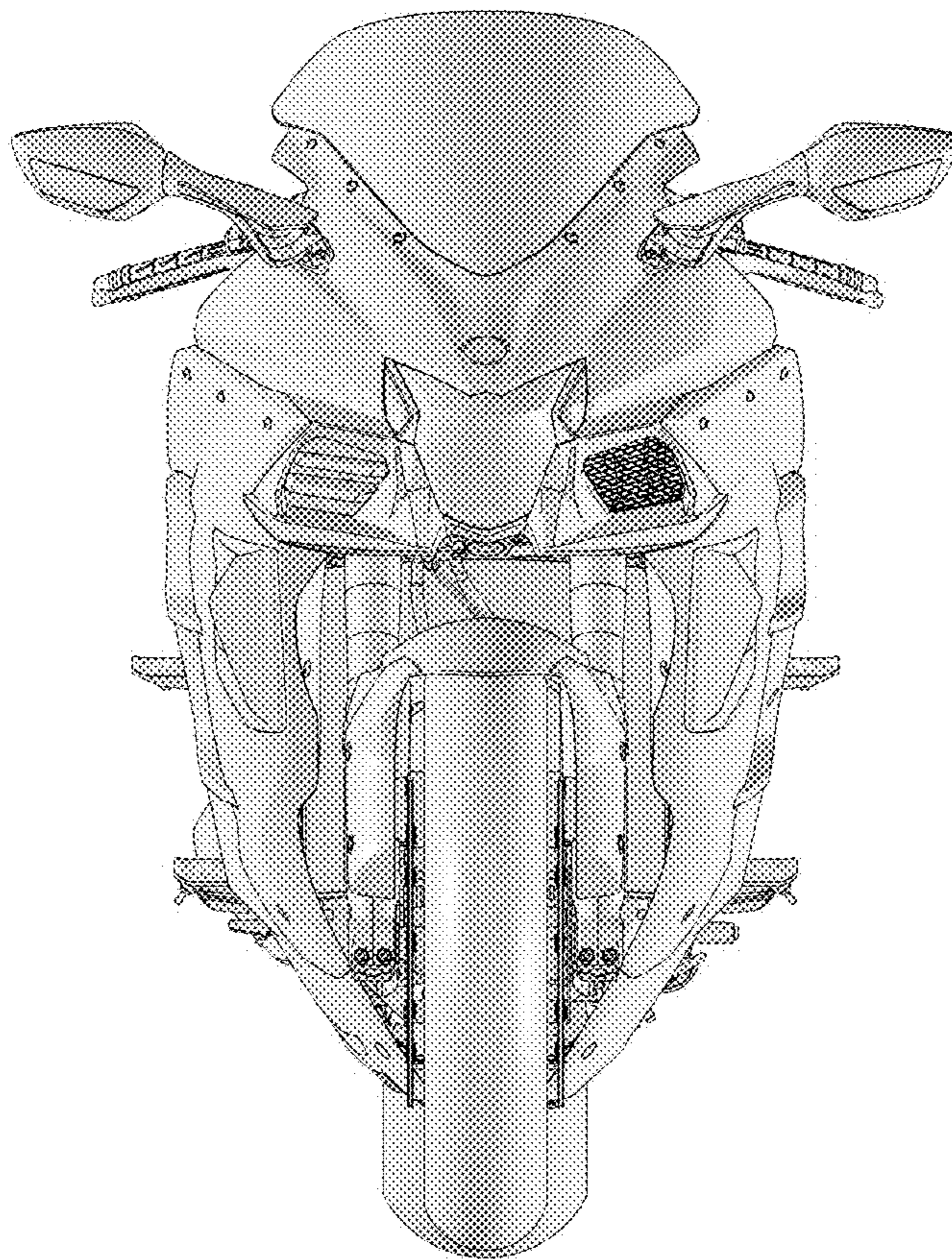
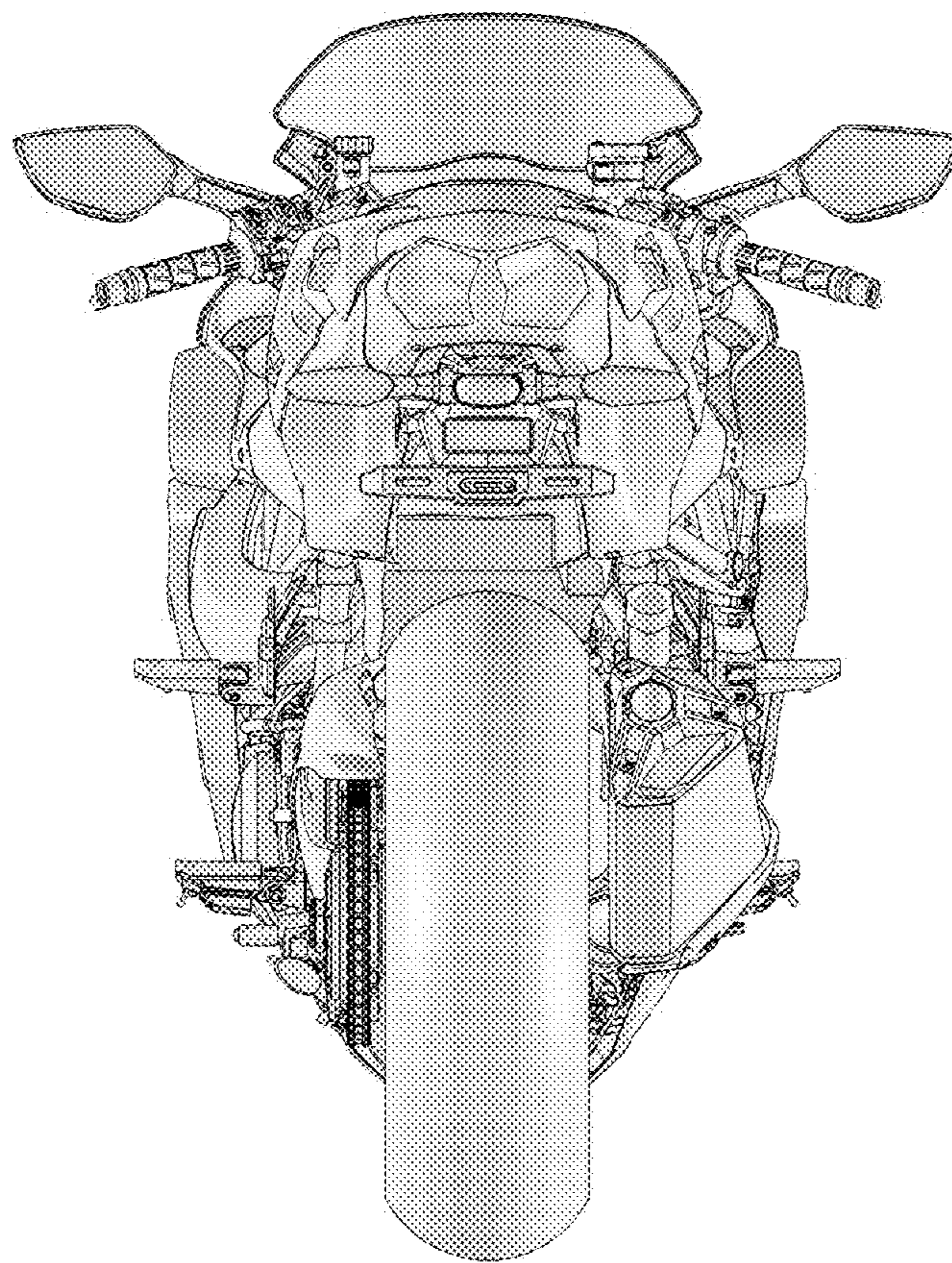


Fig. 2





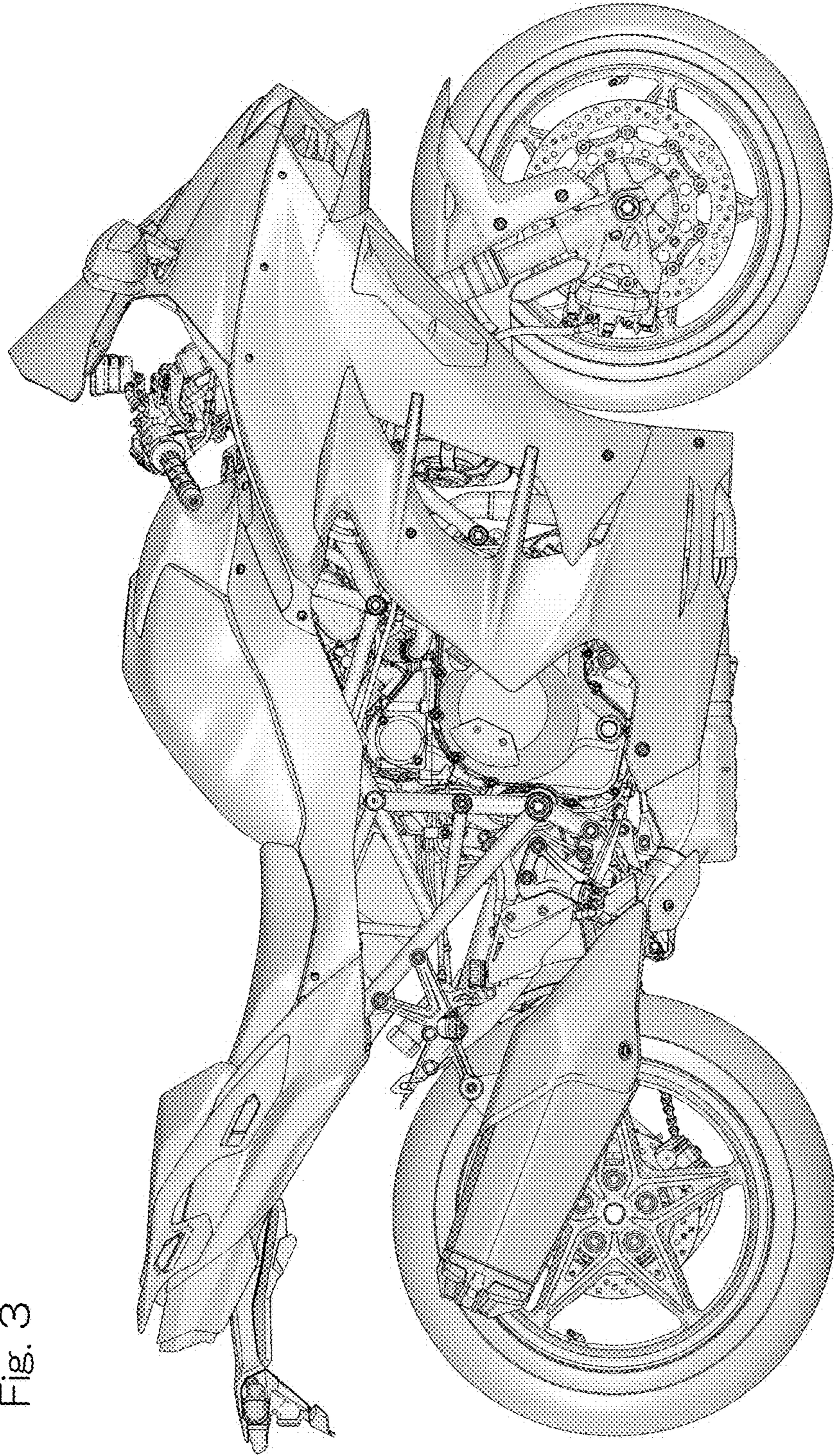


Fig. 3



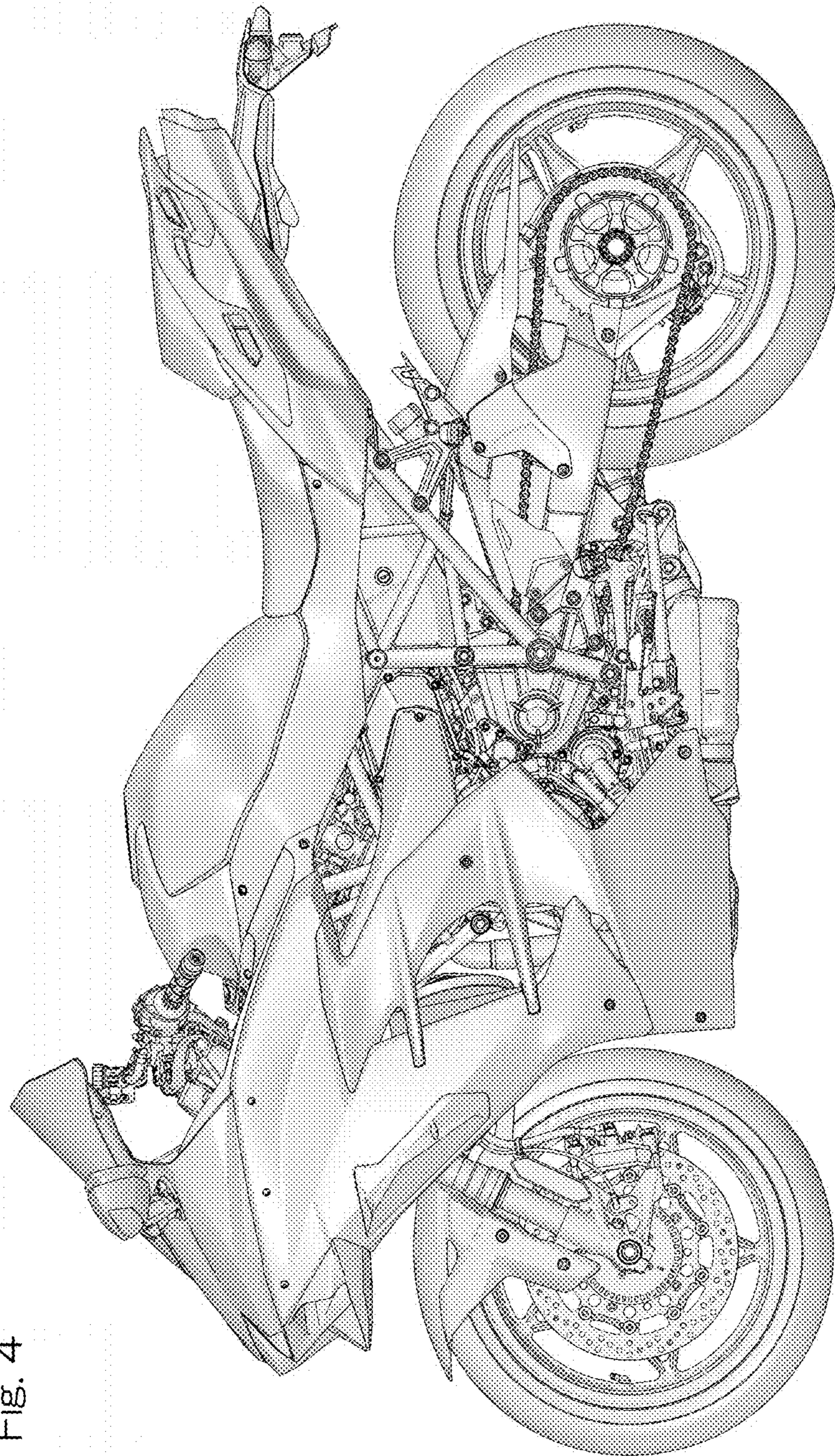
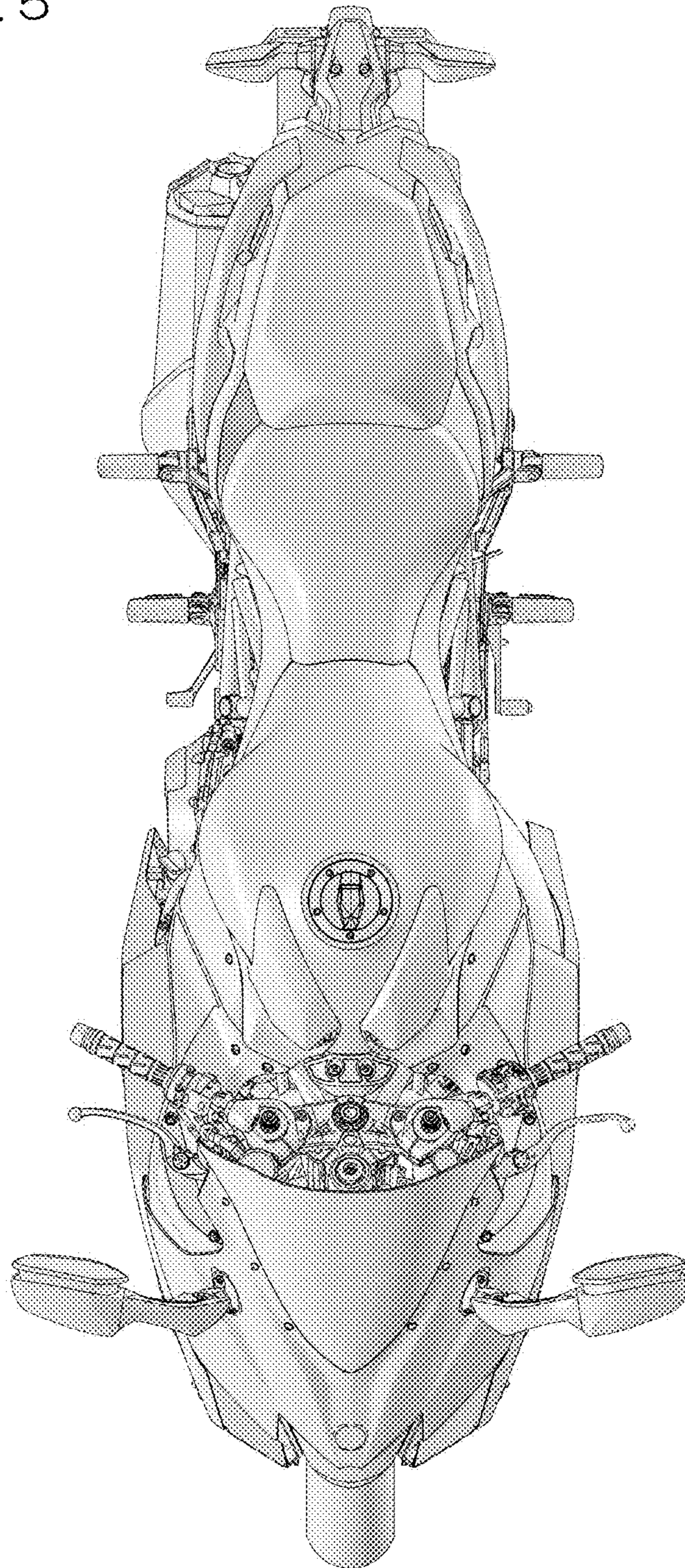


Fig. 4



Fig. 5





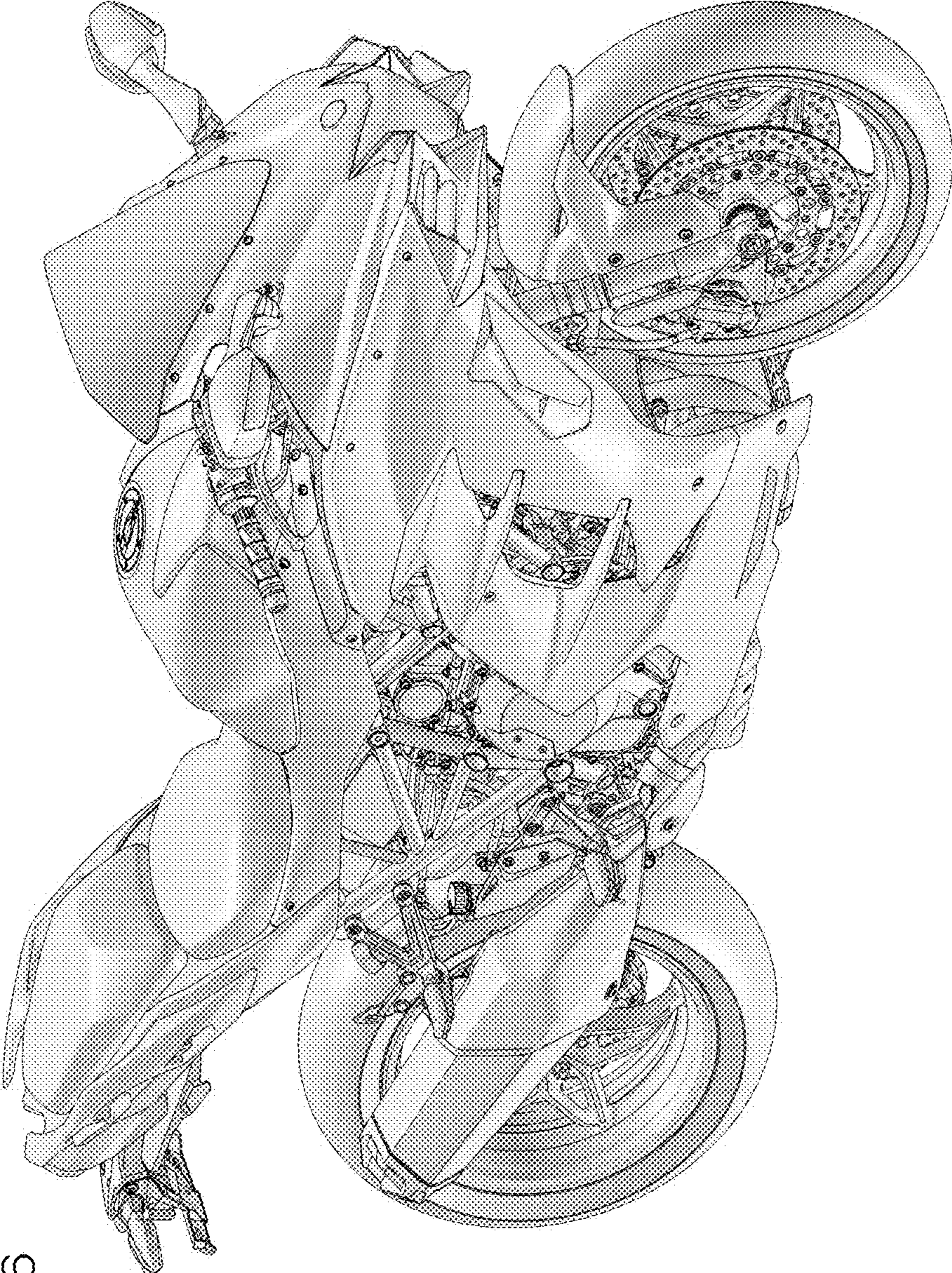


Fig. 6



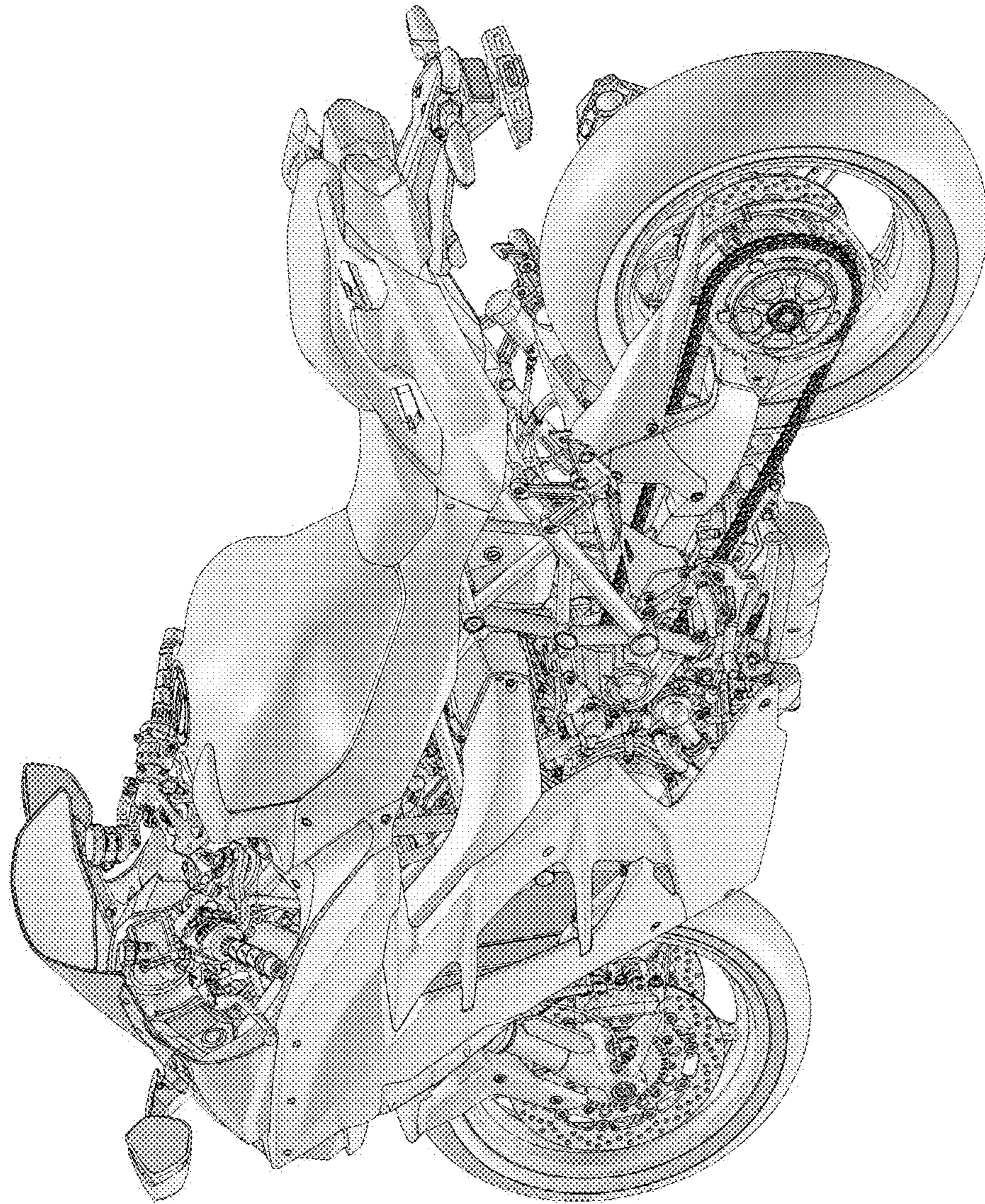


Fig. 7