



US00D849601S

(12) **United States Design Patent**
Li et al.

(10) **Patent No.:** **US D849,601 S**
(45) **Date of Patent:** **** May 28, 2019**

- (54) **THREE-WHEELED MOTORCYCLE**
- (71) Applicants: **Guande Li**, Shengzhou (CN);
Hongliang Chen, Shengzhou (CN)
- (72) Inventors: **Guande Li**, Shengzhou (CN);
Hongliang Chen, Shengzhou (CN)
- (73) Assignee: **Zhejiang Doohan Technology Co., Ltd.**, Shengzhou, Zhejiang (CN)
- (**) Term: **15 Years**
- (21) Appl. No.: **29/621,269**
- (22) Filed: **Oct. 6, 2017**
- (51) **LOC (11) Cl.** **12-11**
- (52) **U.S. Cl.**
USPC **D12/107; D12/85; D12/110**
- (58) **Field of Classification Search**
USPC **D12/3, 85, 86, 87, 107, 110, 112;**
D21/423
CPC **B62K 3/002; B62K 5/027; B62K 5/05;**
B62K 9/00; B62K 9/02; B62K 11/04;
B62K 13/00; B62K 19/46; B62K 2202/00
See application file for complete search history.

- D656,435 S * 3/2012 Lambri B62K 5/027
D12/110
- D687,741 S * 8/2013 Zhang D12/110
- 9,434,439 B2 * 9/2016 Iizuka B62K 19/38
- 9,452,803 B2 * 9/2016 Sasaki B62K 5/05
- D785,507 S * 5/2017 Hishiki D12/110
- D802,682 S * 11/2017 LaBonty D21/423
- 9,821,874 B2 * 11/2017 Takano B62K 5/08
- D819,498 S * 6/2018 Li D12/107
- 2007/0256882 A1 * 11/2007 Bedard B62K 5/027
180/312
- 2009/0224497 A1 * 9/2009 Seiter B62D 21/183
280/62

* cited by examiner

Primary Examiner — Darlington Ly

(57) **CLAIM**

The ornamental design for a three-wheeled motorcycle, as shown and described.

DESCRIPTION

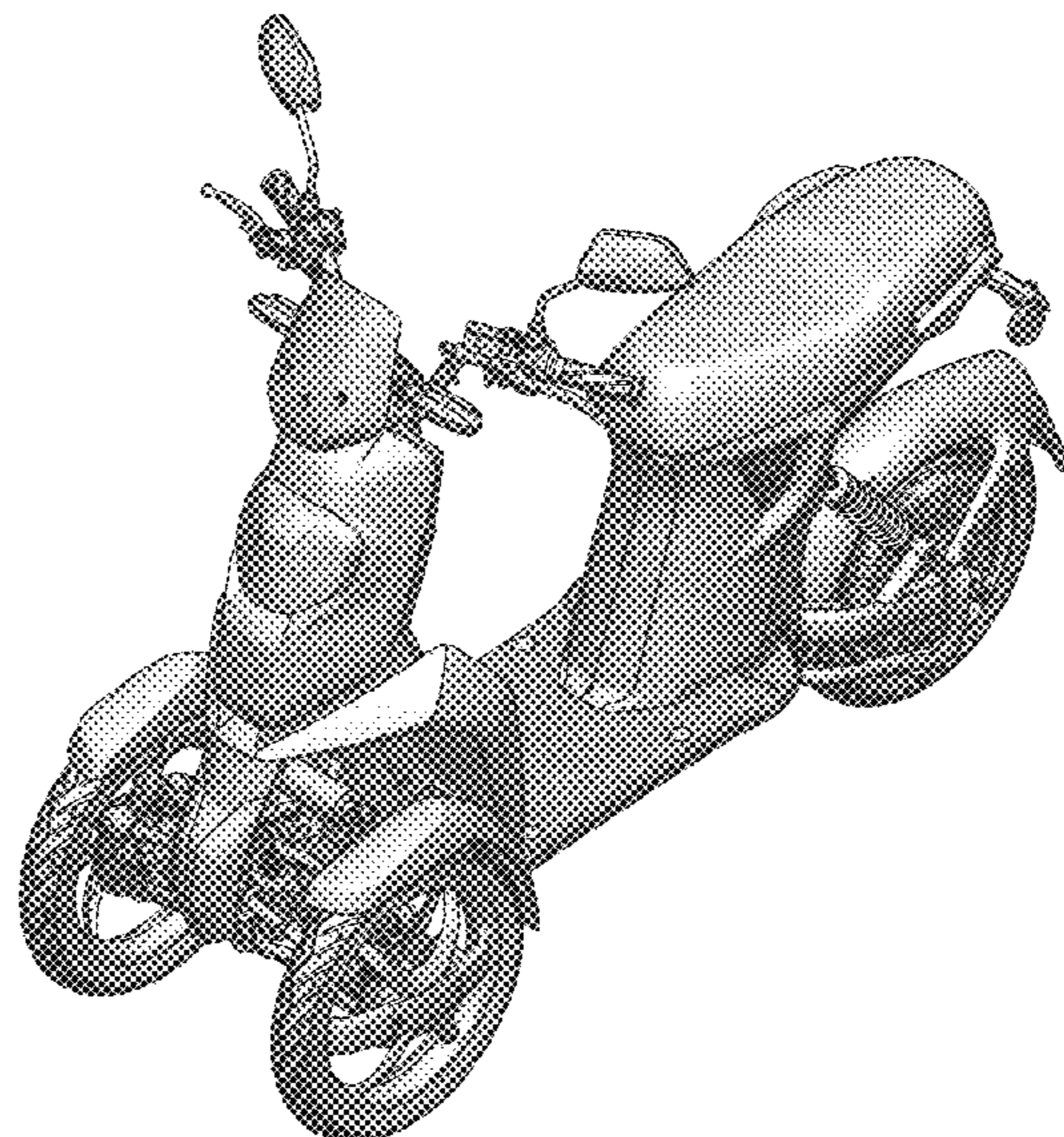
FIG. 1 is a top, rear, and left side perspective view of a three-wheeled motorcycle showing our new design;
 FIG. 2 is a left side elevation view thereof;
 FIG. 3 is a right side elevation view thereof;
 FIG. 4 is a front elevation view thereof;
 FIG. 5 is a rear elevation view thereof;
 FIG. 6 is a top plan view thereof;
 FIG. 7 is a bottom plan view thereof;
 FIG. 8 is a top, front, and left side perspective view thereof;
 FIG. 9 is a top, rear, and right side perspective view thereof;
 and,
 FIG. 10 is a top, front, and right side perspective view thereof.

1 Claim, 10 Drawing Sheets

(56) **References Cited**

U.S. PATENT DOCUMENTS

- 4,787,470 A * 11/1988 Badsey B62D 61/065
180/210
- D322,049 S * 12/1991 Doman D12/131
- D485,788 S * 1/2004 Guay D12/107
- D547,242 S * 7/2007 Lambri B62K 5/10
D12/110
- D593,908 S * 6/2009 Longpre D12/107
- D598,328 S * 8/2009 Lambri B62K 5/05
D12/110
- D627,263 S * 11/2010 Guay D12/110



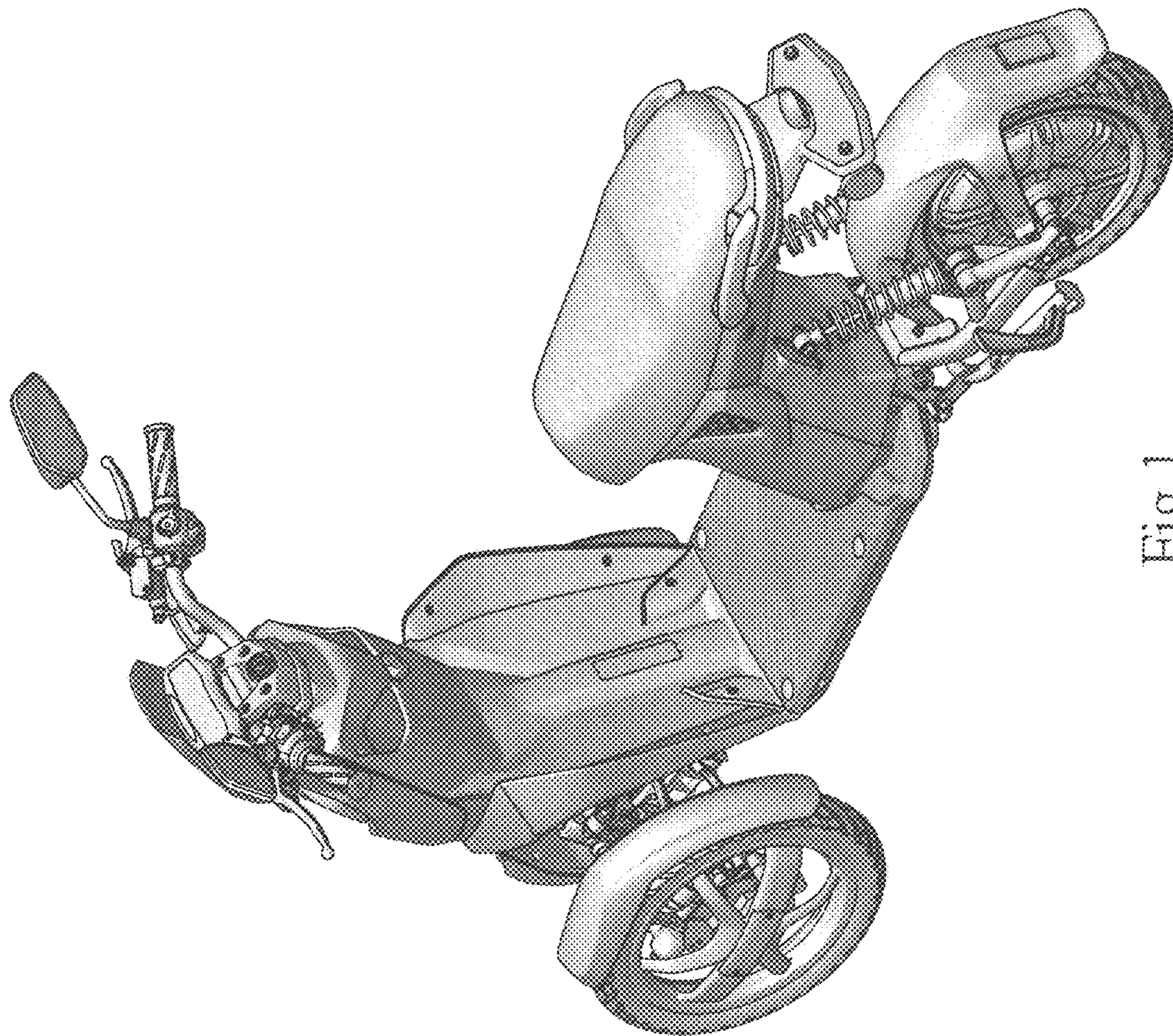


Fig. 1

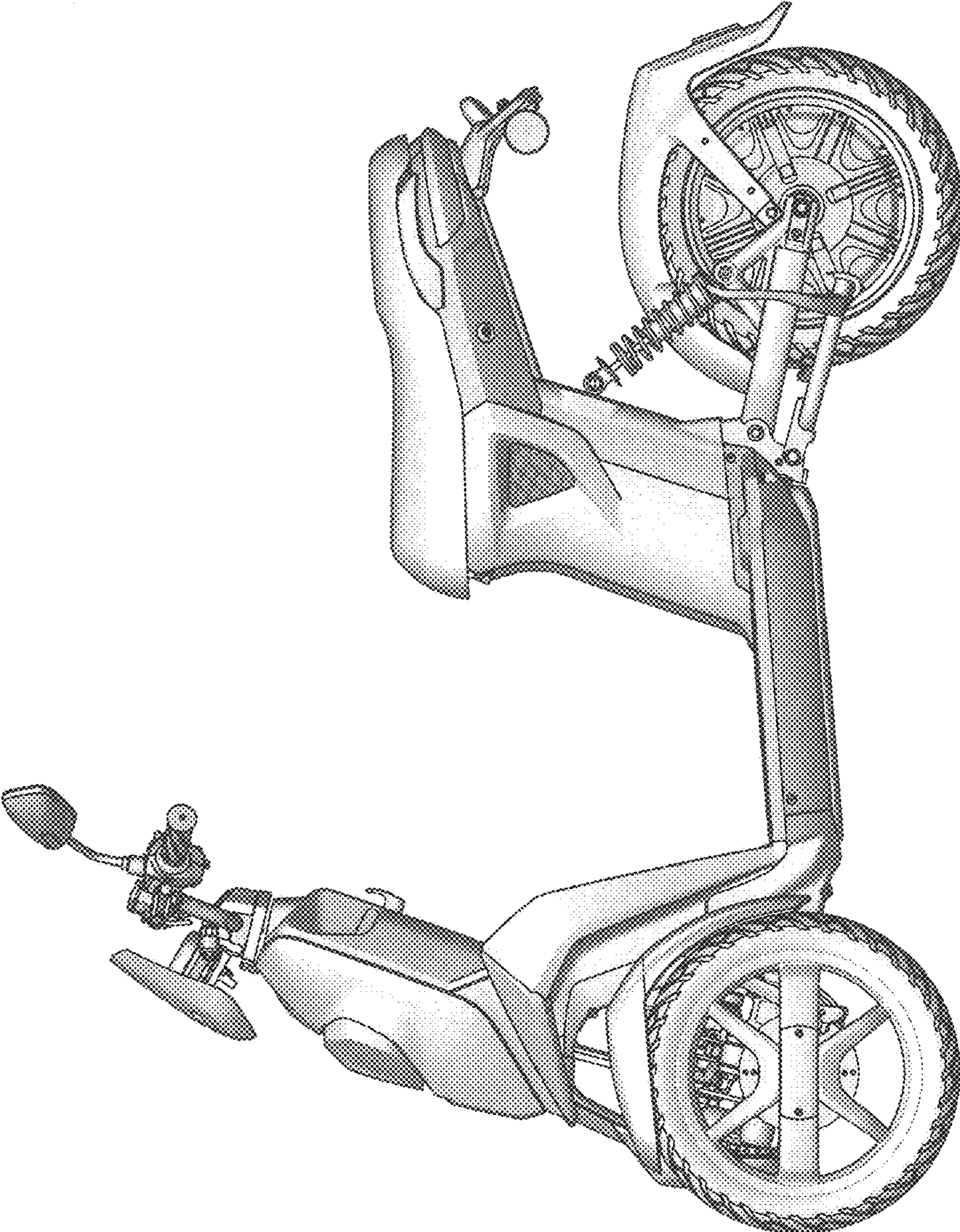


Fig. 2

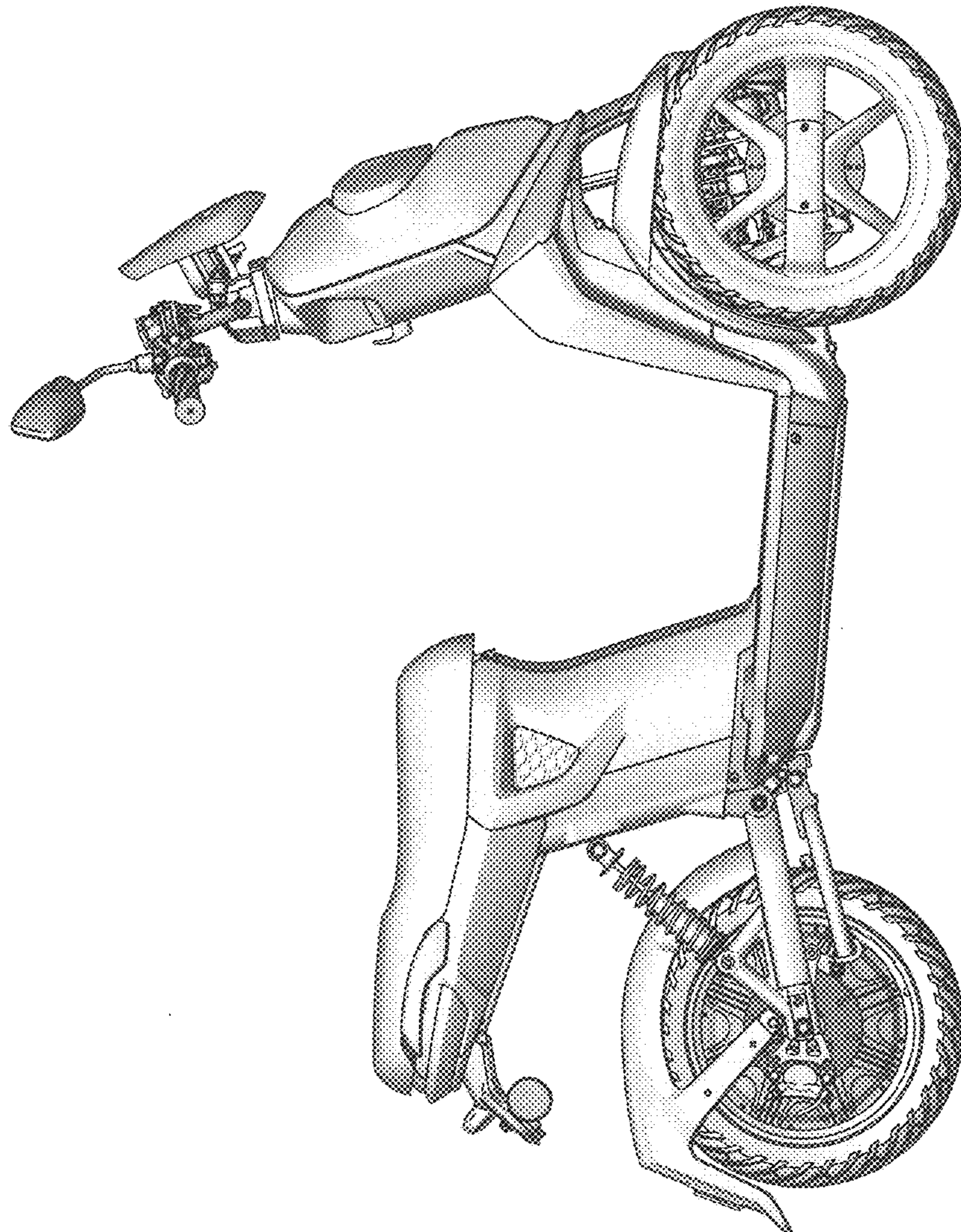


Fig. 3

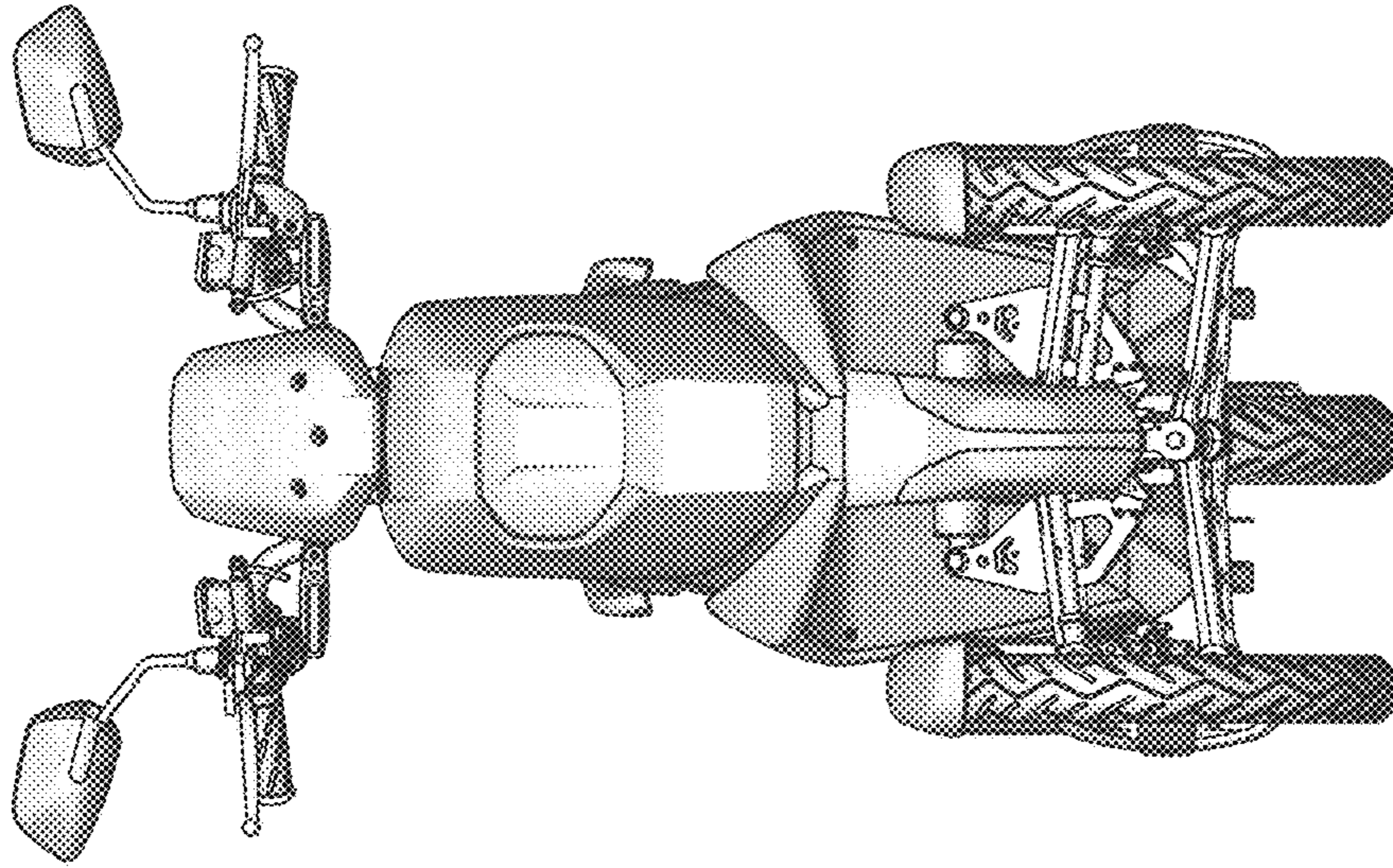


Fig.4

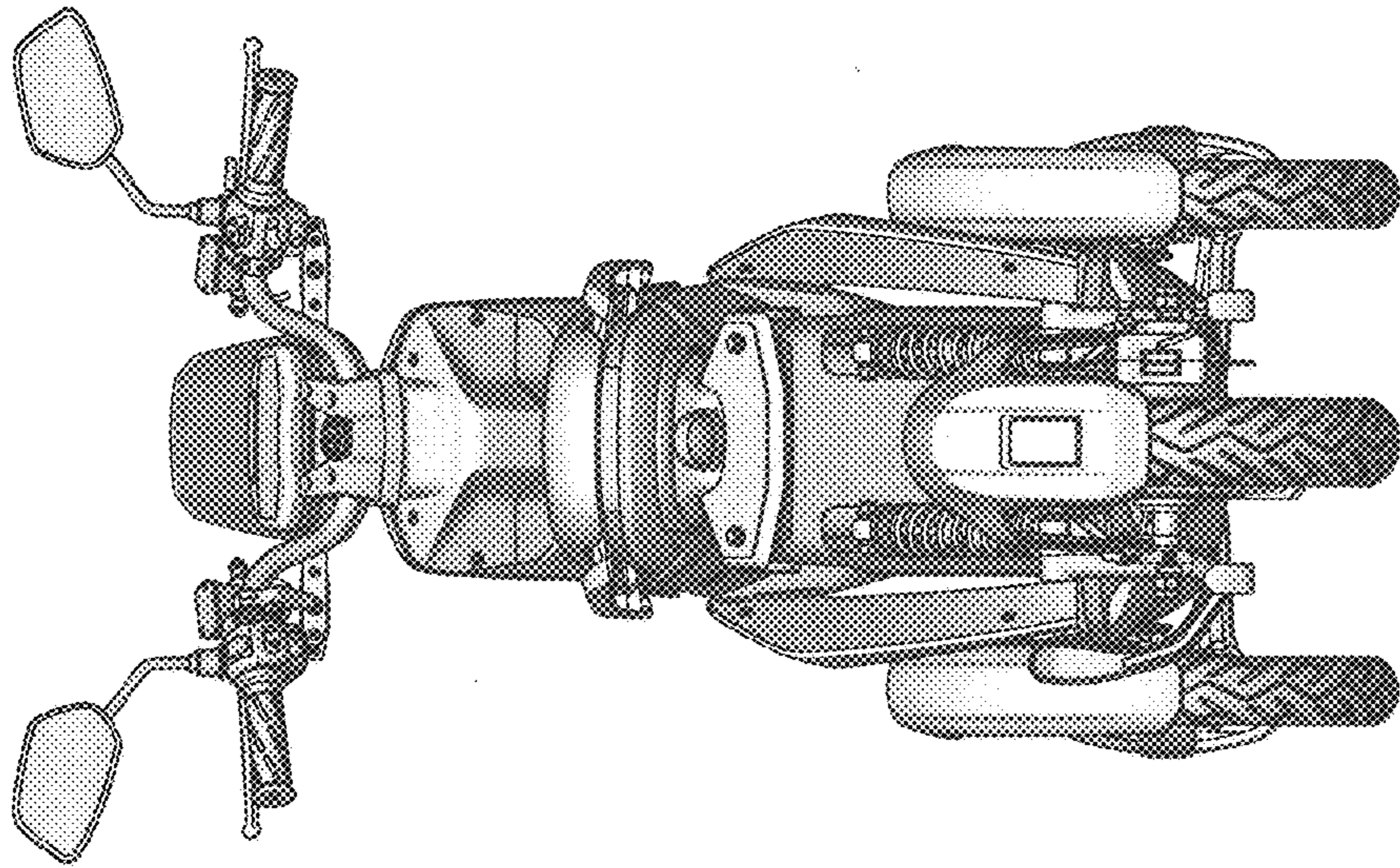


Fig.5

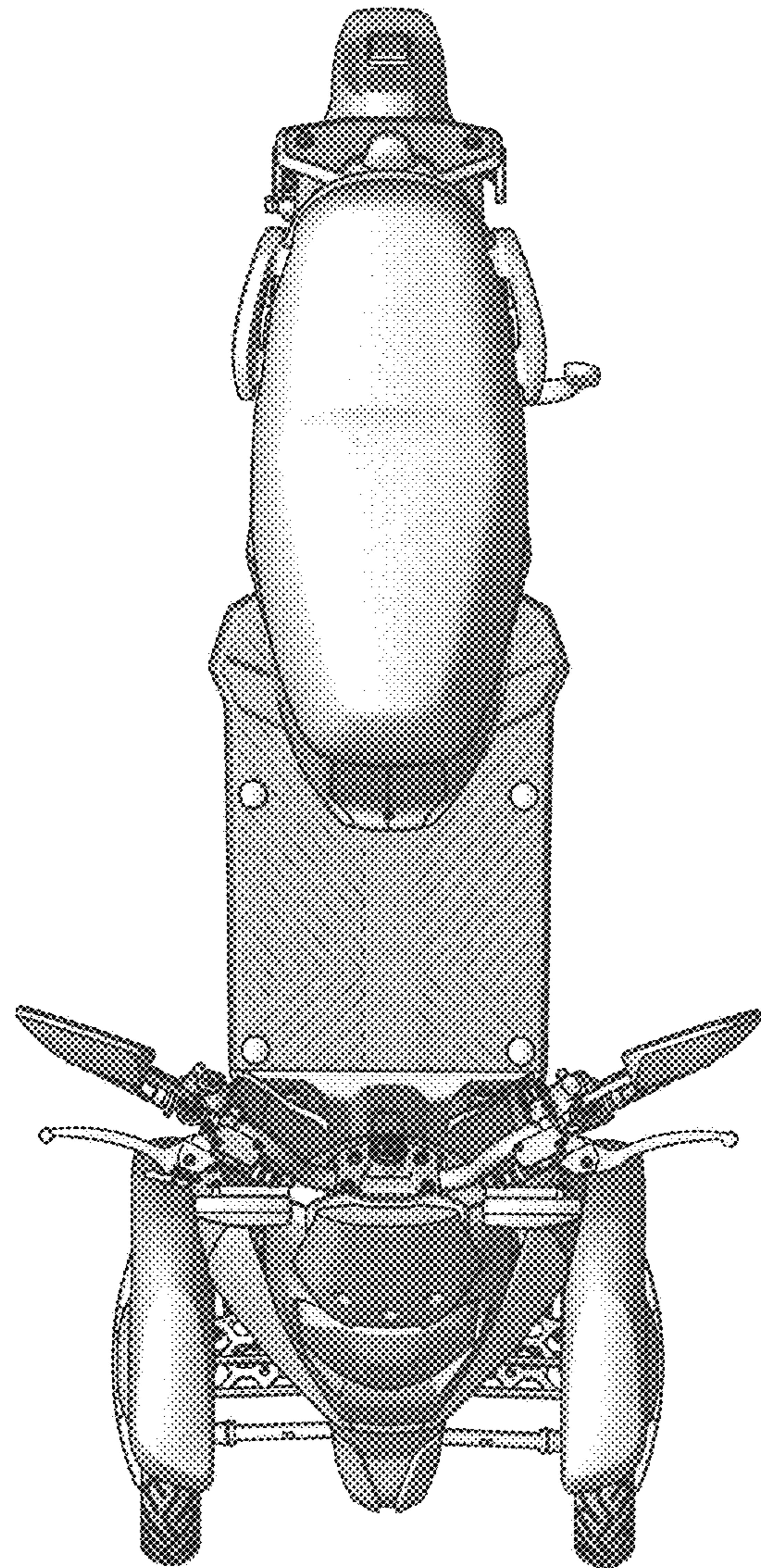


Fig.6

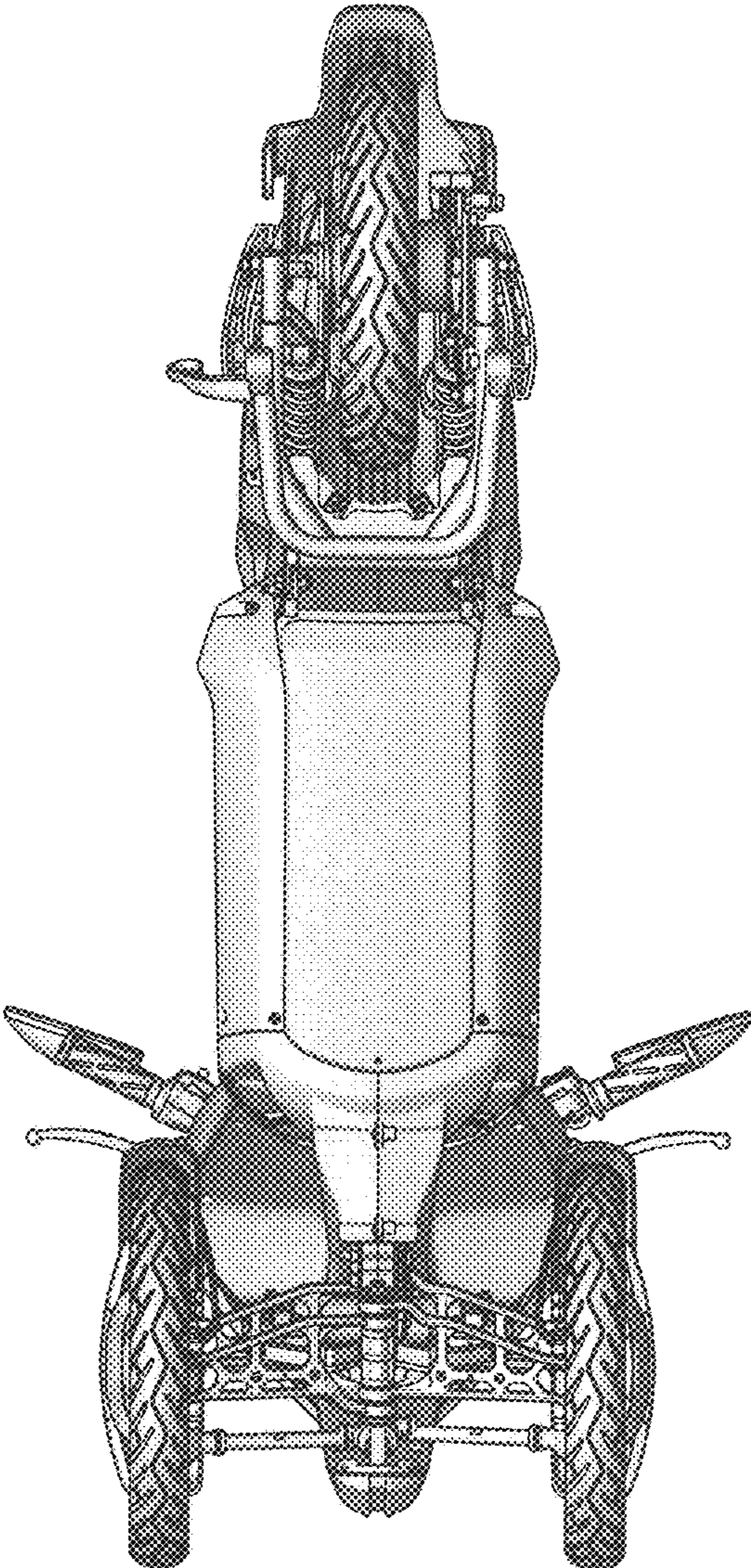


Fig.7

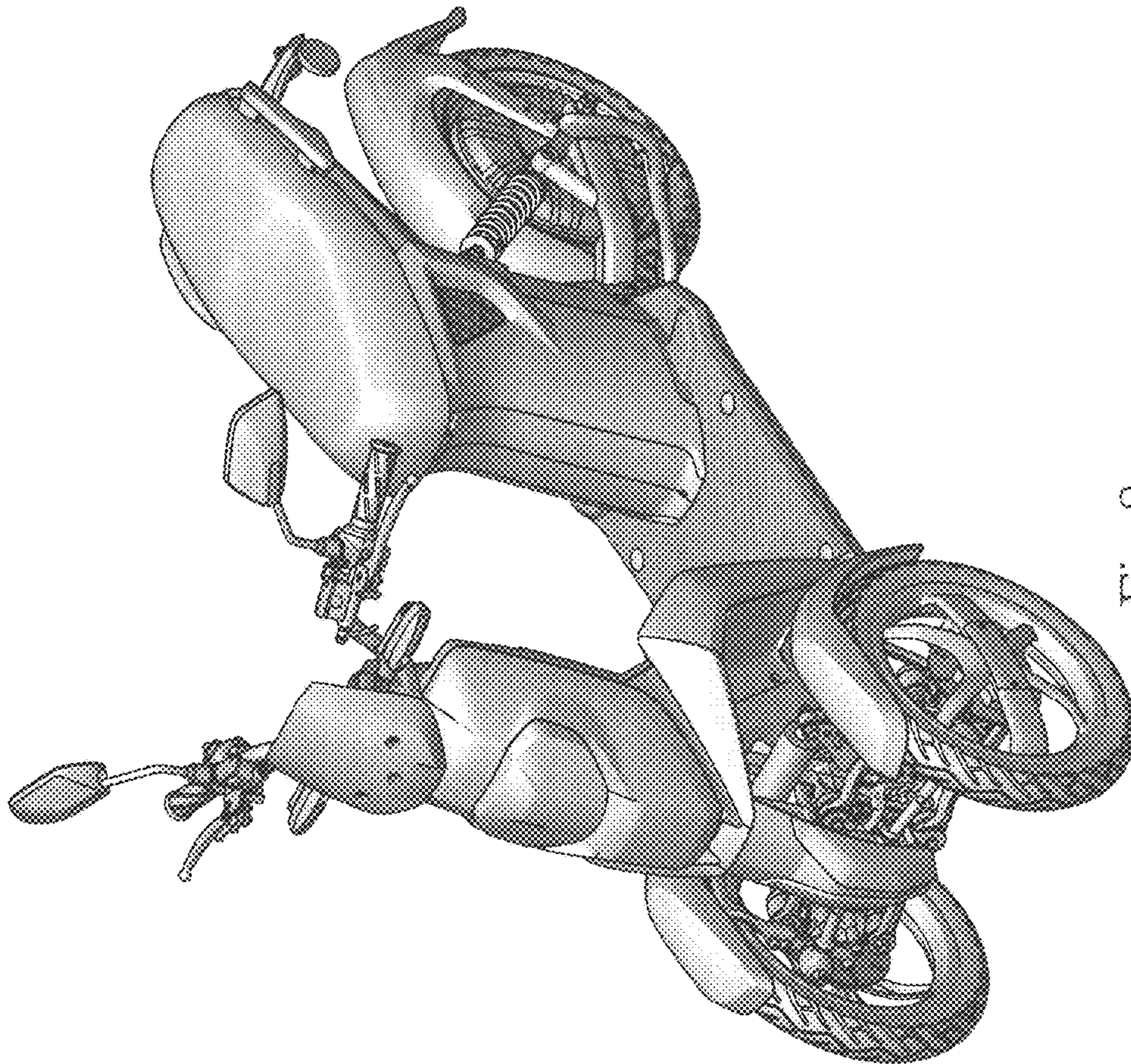


Fig. 8

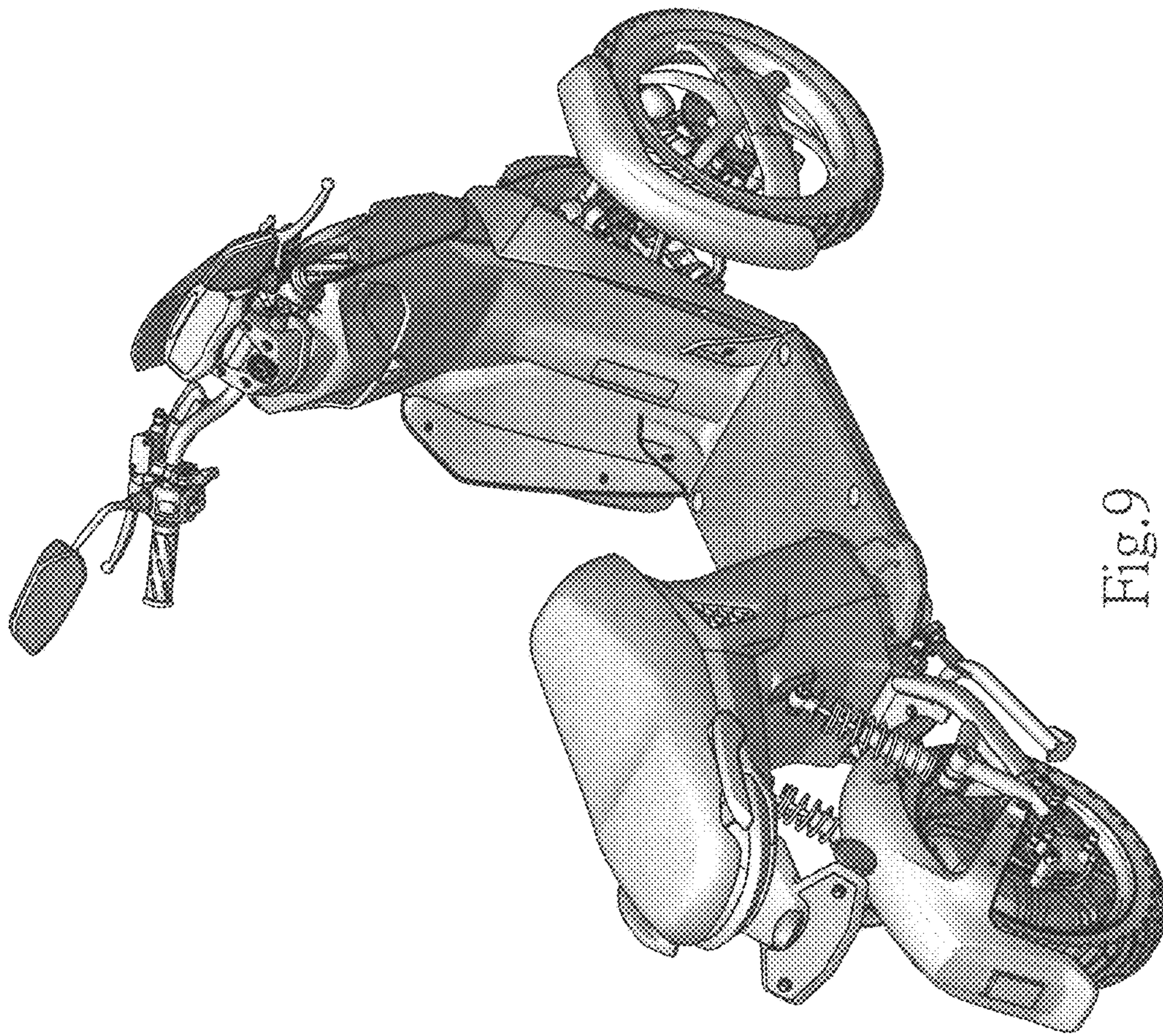


Fig. 9

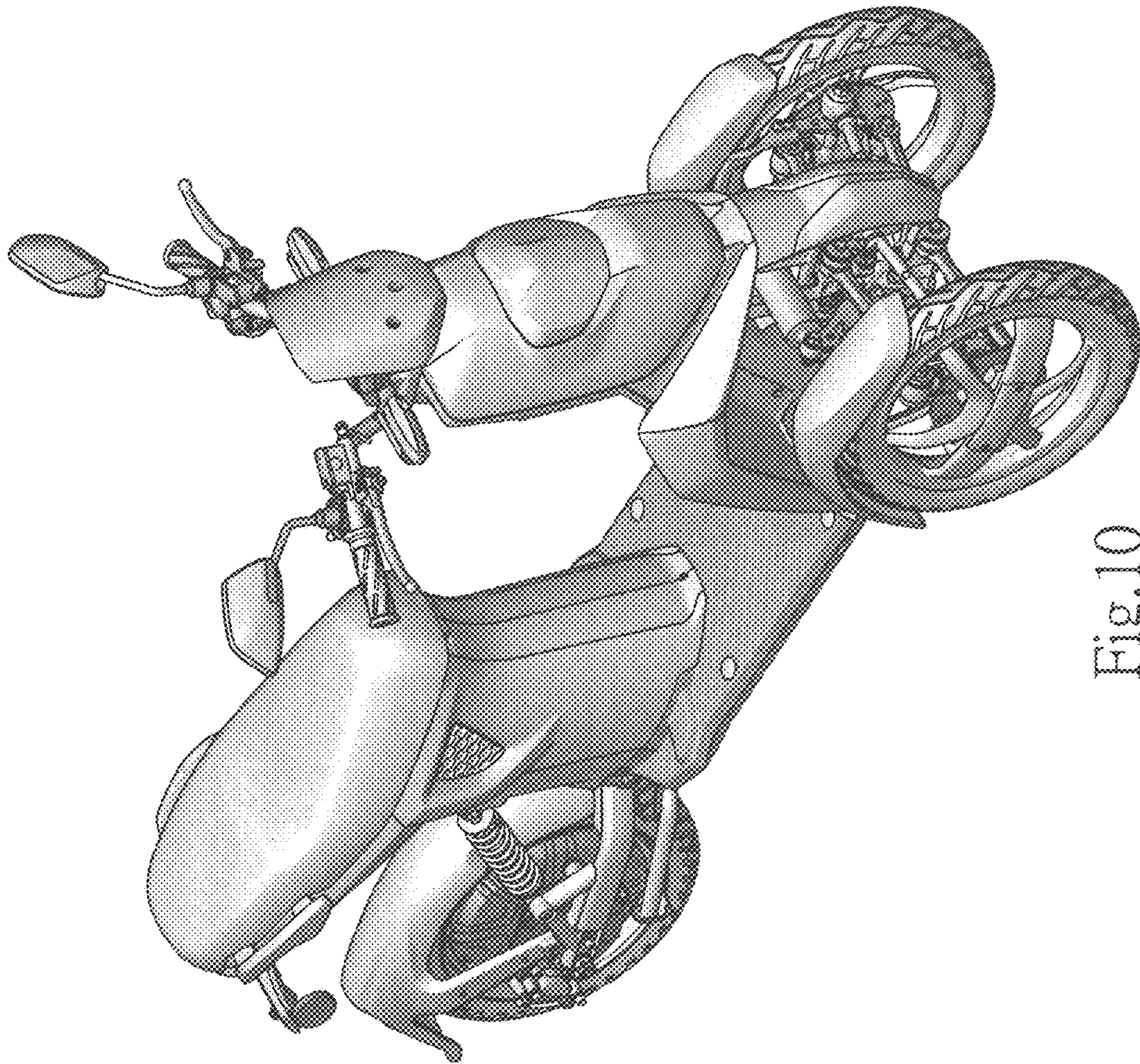


Fig.10