



US00D849598S

(12) **United States Design Patent** (10) **Patent No.:** **US D849,598 S**  
**Schroeder et al.** (45) **Date of Patent:** **\*\* May 28, 2019**

(54) **ALL-TERRAIN VEHICLE AND/OR REPLICA**

(71) Applicant: **HONDA MOTOR CO., LTD.**, Tokyo (JP)

(72) Inventors: **Anthony M. Schroeder**, Huntington Beach, CA (US); **Eric Y. Chin**, Irvine, CA (US); **Joseph Park**, Torrance, CA (US)

(73) Assignee: **Honda Motor Co., Ltd.**, Tokyo (JP)

(\*\*) Term: **15 Years**

(21) Appl. No.: **29/628,602**

(22) Filed: **Dec. 6, 2017**

(51) **LOC (11) Cl.** ..... **12-13**

(52) **U.S. Cl.**  
USPC ..... **D12/14; D12/1**

(58) **Field of Classification Search**  
USPC ..... D12/1, 2, 3, 4, 12, 14, 16; D21/483, D21/533, 548, 549, 539, 556, 557, 559, D21/562

CPC ..... B62D 35/00; B62D 39/00; B62D 47/00; B62D 47/003; B62D 63/02; B62D 33/0617; B62D 33/00; A01B 59/02; B60L 200/22; B60Y 2200/86; B60Y 2200/91; B60P 1/00; B60P 1/003; B60R 21/13  
See application file for complete search history.

(56) **References Cited**

**U.S. PATENT DOCUMENTS**

D526,246 S \* 8/2006 LeBlanc, Sr. .... D12/12  
D526,596 S \* 8/2006 LeBlanc, Sr. .... D12/12

D527,689 S \* 9/2006 LeBlanc, Sr. .... D12/12  
D630,268 S \* 1/2011 Cunningham ..... B60P 1/5438  
D21/533  
D632,613 S \* 2/2011 Allaire ..... D12/12  
D661,224 S \* 6/2012 Allaire ..... D12/12  
2010/0179691 A1\* 7/2010 Gal ..... F41H 7/005  
700/259  
2016/0257361 A1\* 9/2016 Habernegg ..... B60P 3/40

\* cited by examiner

*Primary Examiner* — T Chase Nelson

*Assistant Examiner* — Ania Aman

(74) *Attorney, Agent, or Firm* — Arent Fox LLP

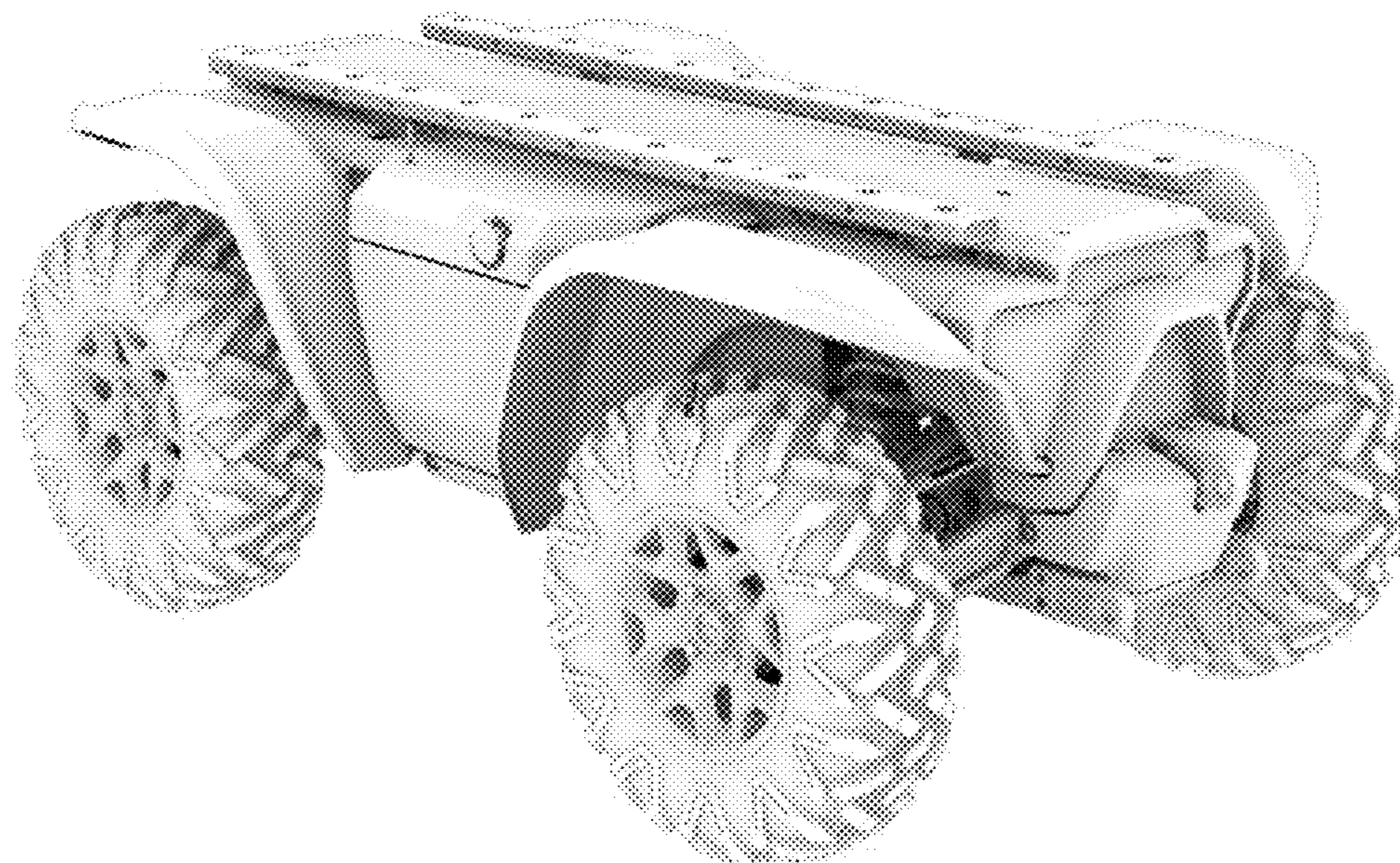
(57) **CLAIM**

The ornamental design for an all-terrain vehicle and/or replica, as shown and described.

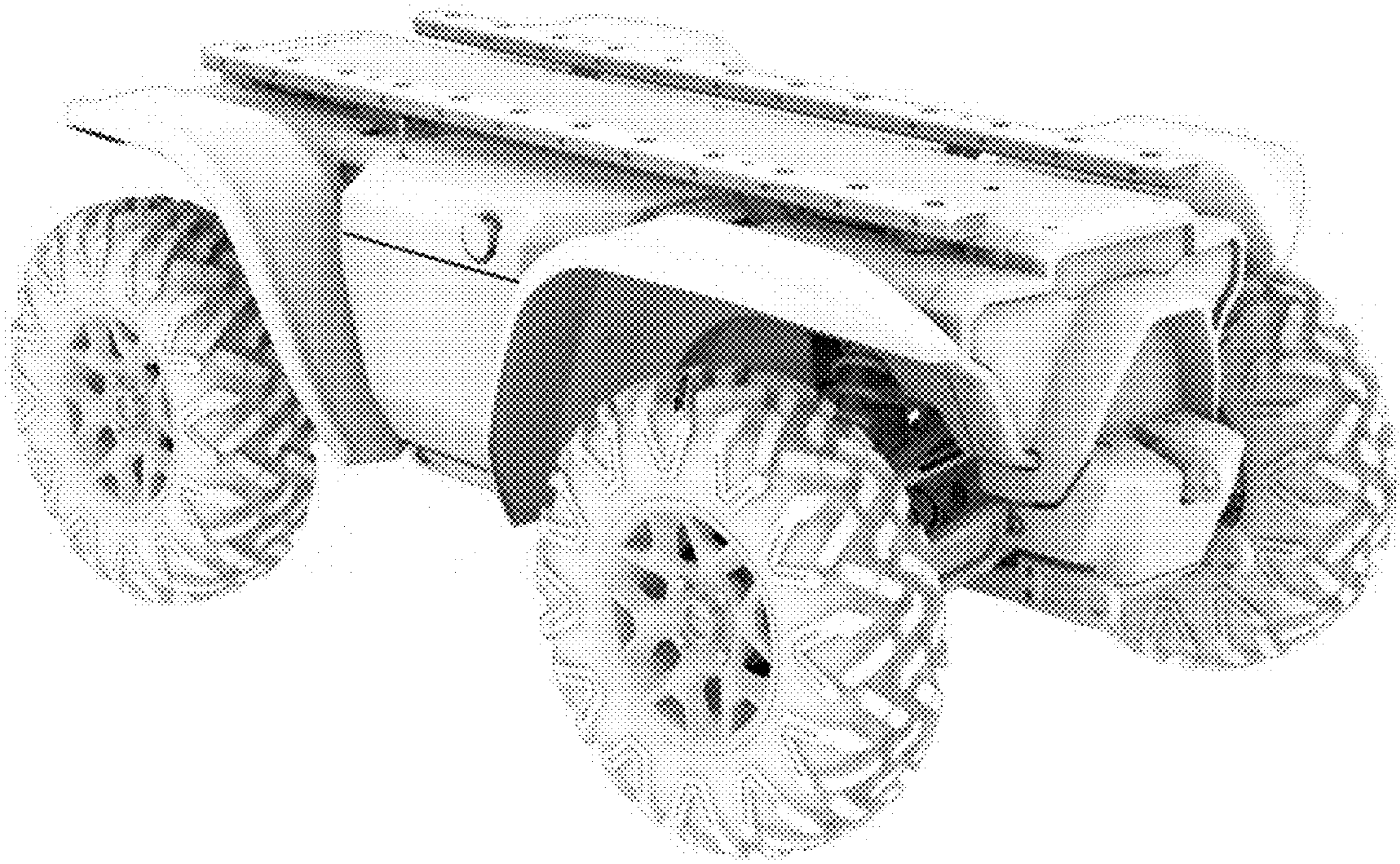
**DESCRIPTION**

FIG. 1 is a front left perspective view of an all-terrain vehicle and/or replica showing our new design;  
FIG. 2 is a front right perspective view of the design shown in FIG. 1;  
FIG. 3 is a rear right perspective view of the design shown in FIG. 1;  
FIG. 4 is a rear left perspective view of the design shown in FIG. 1;  
FIG. 5 is a right side view of the design shown in FIG. 1;  
FIG. 6 is a left side view of the design shown in FIG. 1; and, FIG. 7 is a top view of the design shown in FIG. 1.  
The bottom of the all-terrain vehicle and/or replica forms no part of the claimed design.

**1 Claim, 7 Drawing Sheets**







**FIG. 1**



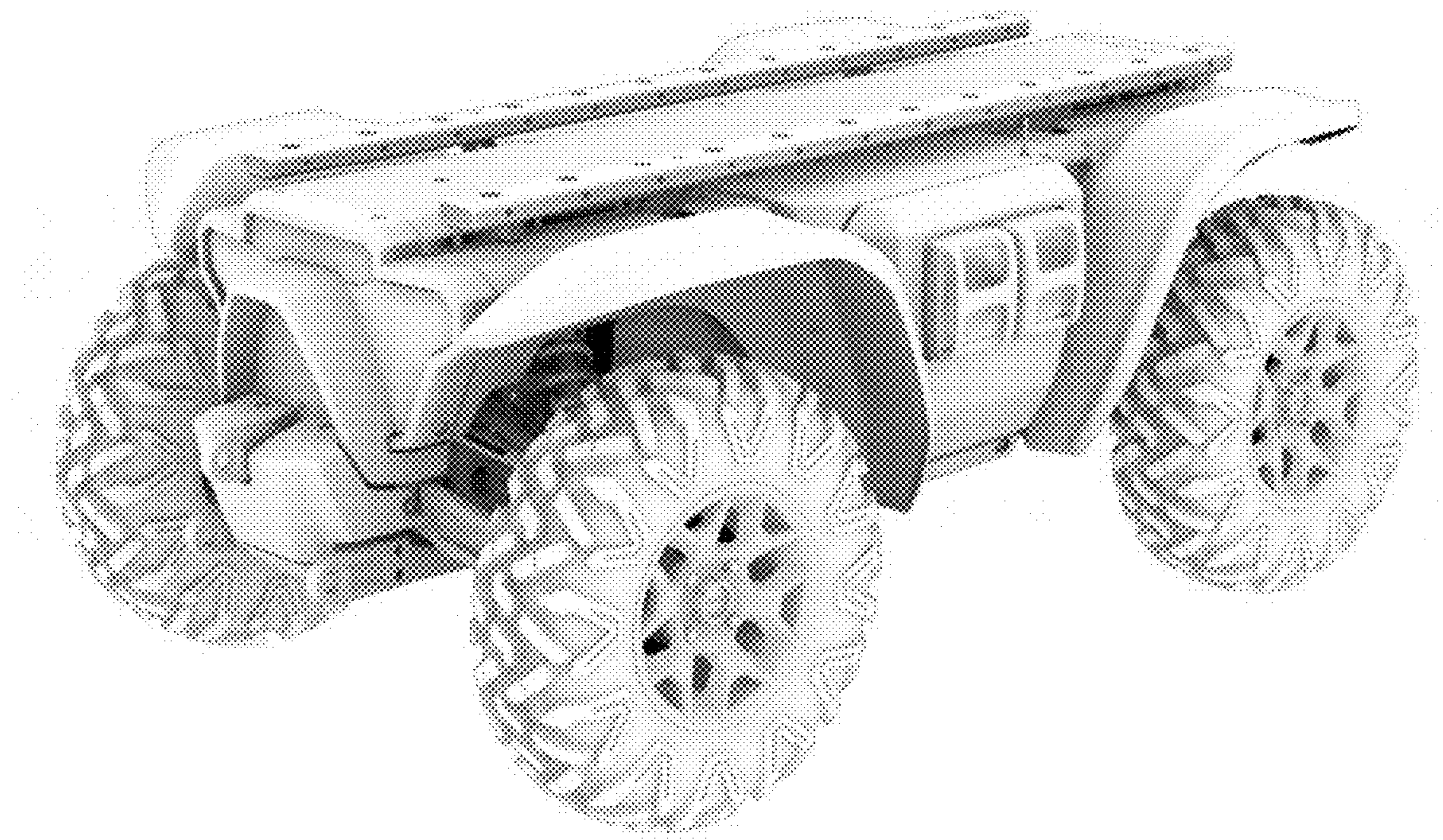


FIG. 2



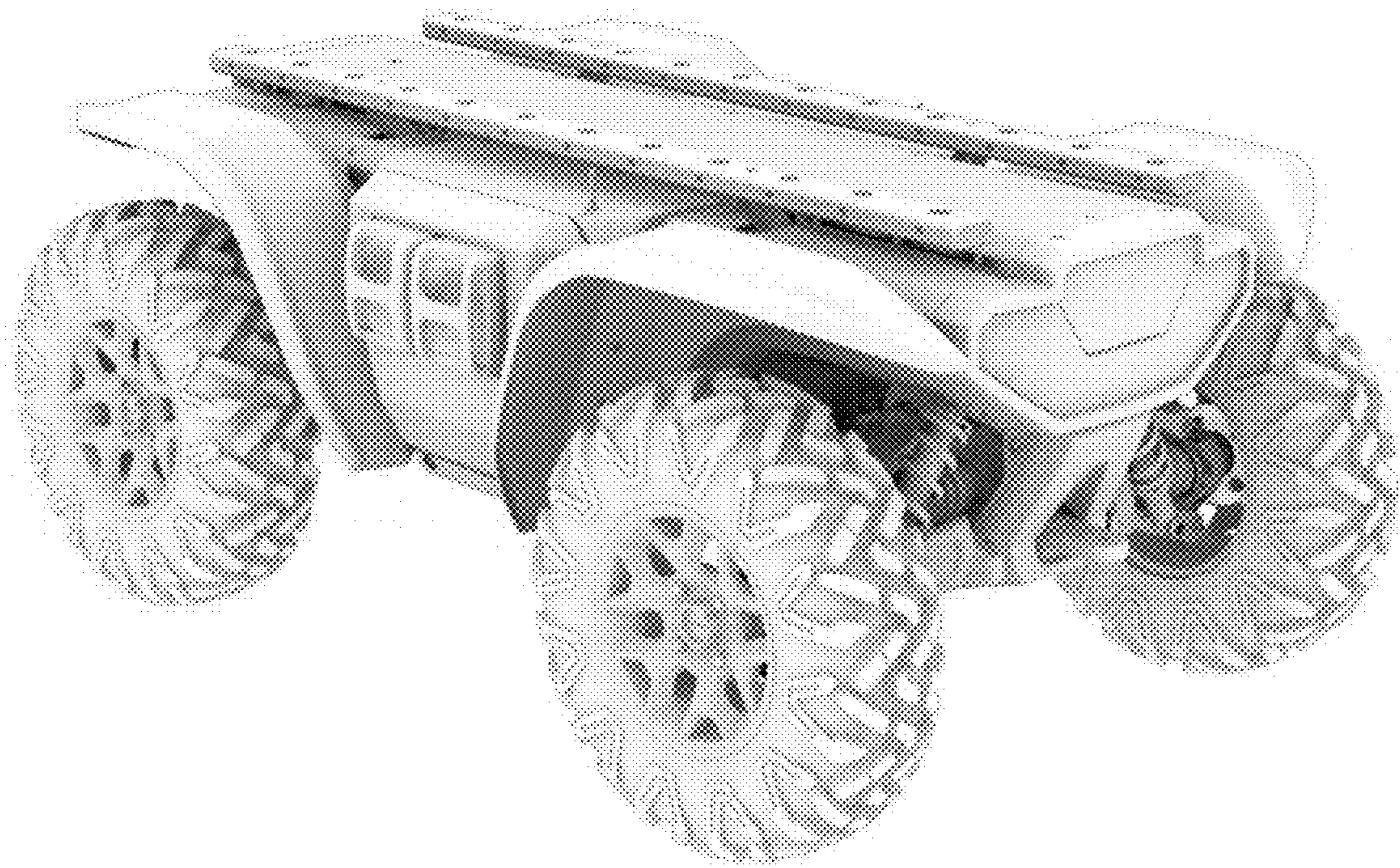
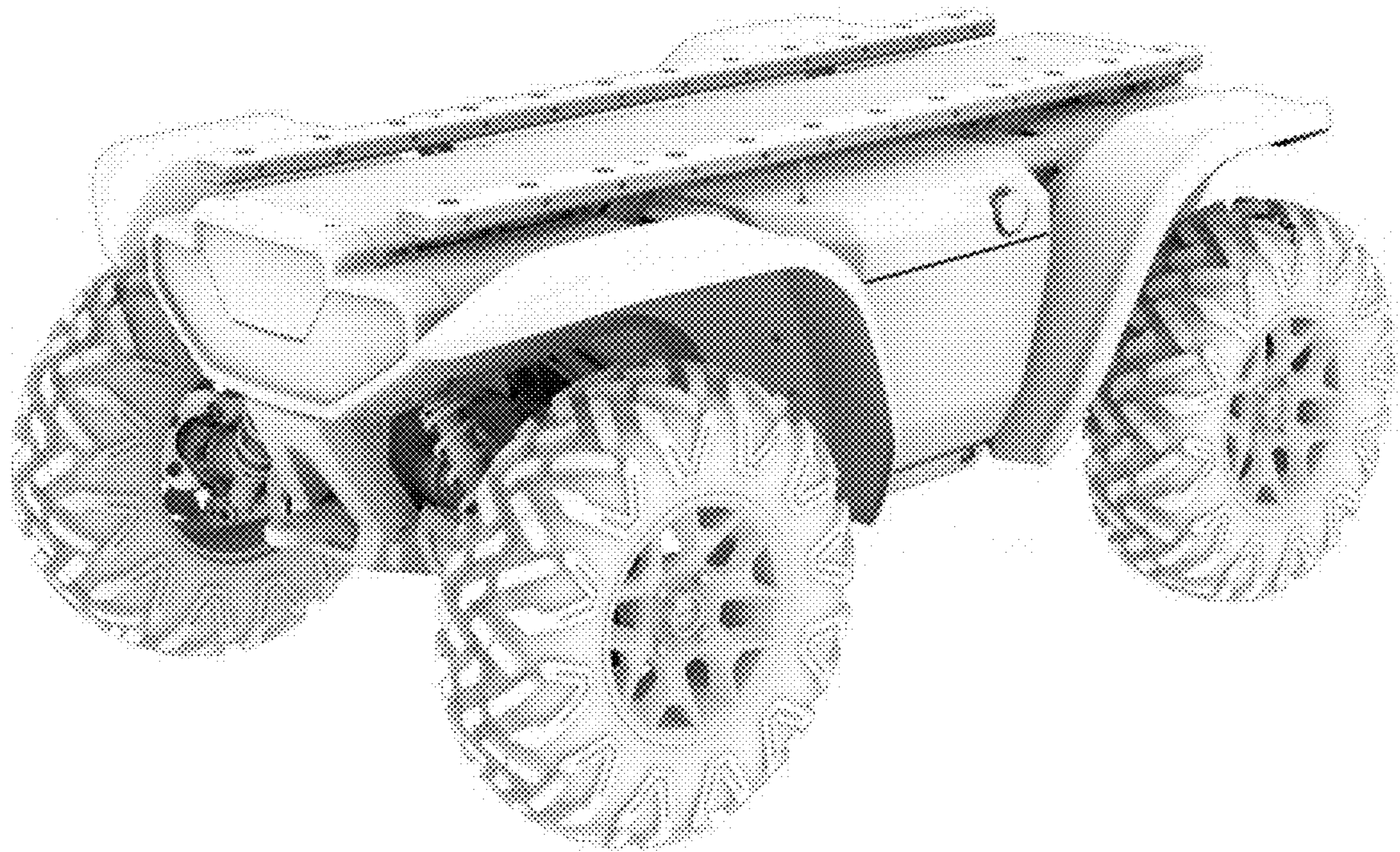


FIG. 3





**FIG. 4**

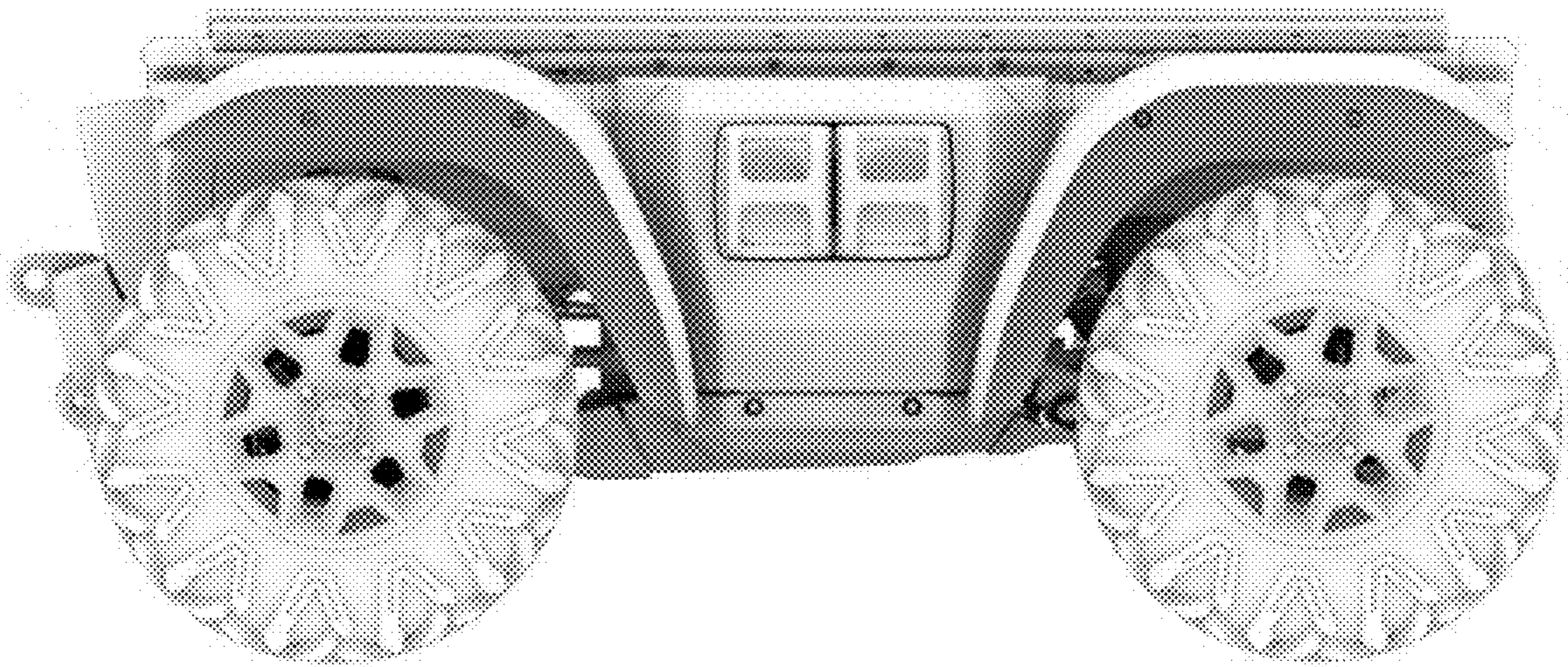


FIG. 5



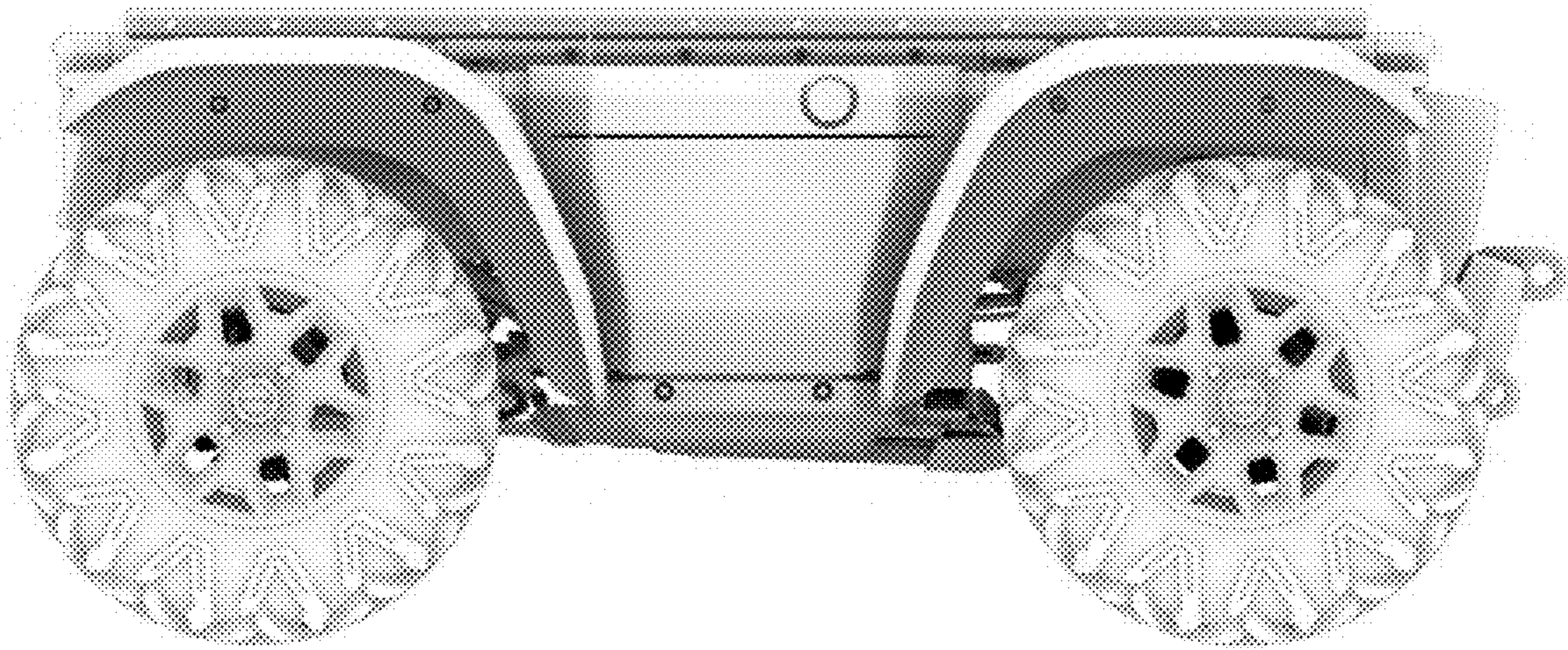


FIG. 6

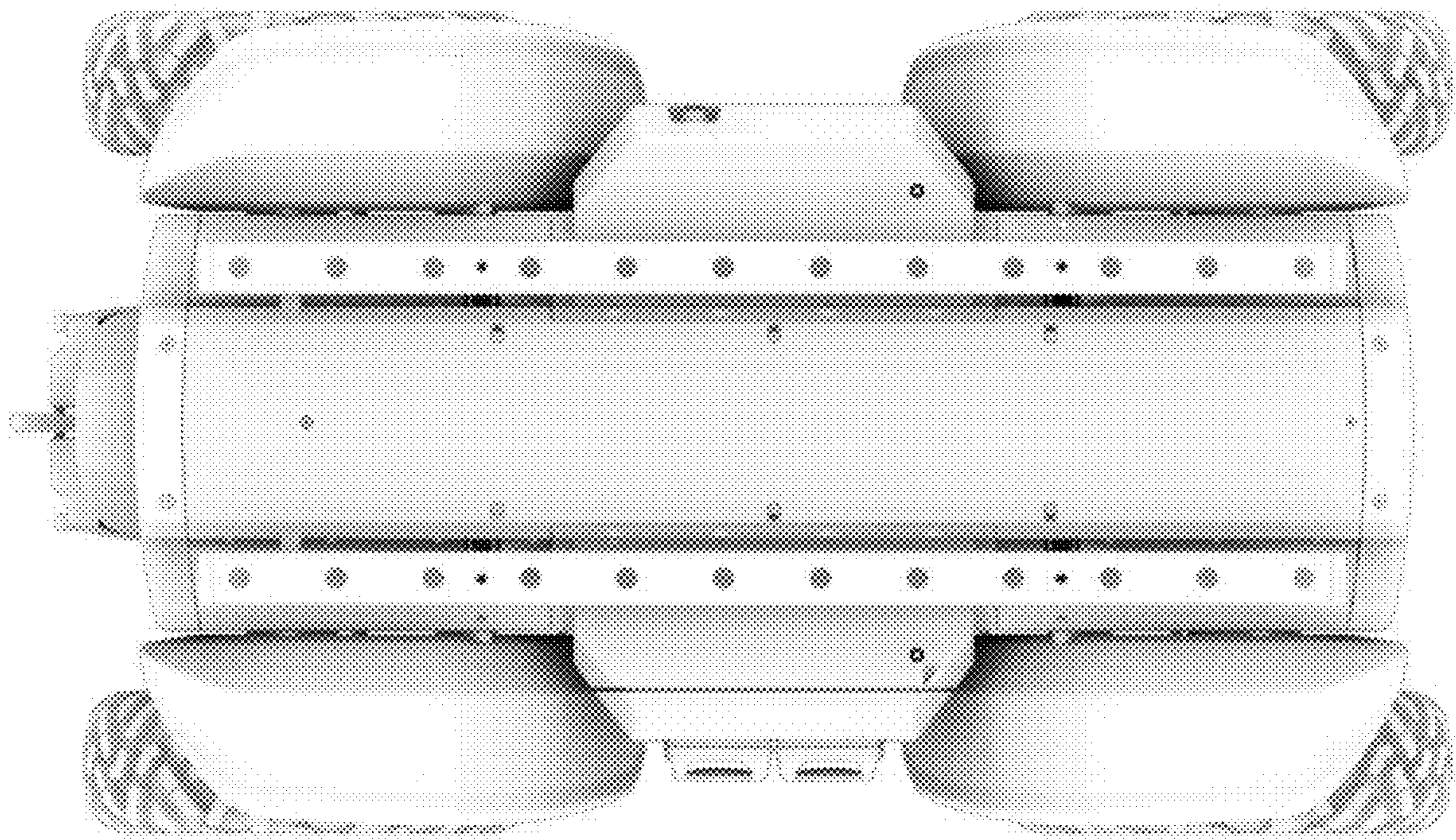


FIG. 7