



US00D849597S

(12) **United States Design Patent** (10) **Patent No.:** **US D849,597 S**  
**Kiel et al.** (45) **Date of Patent:** **\*\* May 28, 2019**

(54) **GUNNER PROTECTION TURRET ENCLOSURE WITH ADJUSTABLE FORWARD GUN SHIELD AND VEHICLE ADAPTER PLATE**

*Primary Examiner* — T Chase Nelson  
*Assistant Examiner* — Ania Aman  
(74) *Attorney, Agent, or Firm* — John P. DiScala

(71) Applicant: **The United States of America as Represented by the Secretary of the Army, Washington, DC (US)**

(57) **CLAIM**

(72) Inventors: **Thomas J. Kiel, Bernardsville, NJ (US); Kris J. Mayer, Blairstown, NJ (US)**

The ornamental design of a gunner protection turret enclosure with adjustable forward gun shield and vehicle adapter plate, as shown and described.

(73) Assignee: **The United States of America as Represented by the Secretary of the Army, Washington, DC (US)**

**DESCRIPTION**

(\*\*) Term: **15 Years**

The invention described herein may be manufactured, used, and licensed by or for the U.S. Government for U.S. Government purposes.

(21) Appl. No.: **29/626,867**

FIG. 1 is a front right perspective view of a gunner protection turret enclosure with adjustable forward gun shield and vehicle adapter plate.

(22) Filed: **Nov. 21, 2017**

FIG. 2 is a front left perspective view of a gunner protection turret enclosure with adjustable forward gun shield and vehicle adapter plate.

(51) **LOC (11) Cl.** ..... **23-03**

FIG. 3 is front elevational view of a gunner protection turret enclosure with adjustable forward gun shield and vehicle adapter plate.

(52) **U.S. Cl.**

USPC ..... **D12/12**

FIG. 4 is a right side elevational view of a gunner protection turret enclosure with adjustable forward gun shield and vehicle adapter plate.

(58) **Field of Classification Search**

USPC ..... **D12/1, 12, 14, 15**

CPC ..... **F41H 5/20; F41H 7/04; F41H 5/26; F41H**

**5/013; F41H 7/02; F41H 5/18; F41H**

**5/14; F41H 7/00; F41H 7/03; F41H**

**7/048; F41H 7/042; F41H 7/044; F41H**

**5/00; F41H 5/023; F41H 5/06; F41H 5/16**

See application file for complete search history.

FIG. 5 is a left side elevational view of a gunner protection turret enclosure with adjustable forward gun shield and vehicle adapter plate.

(56) **References Cited**

**U.S. PATENT DOCUMENTS**

D610,038 S \* 2/2010 Kiel ..... F41H 5/20

D12/12

D619,044 S \* 7/2010 Kiel ..... F41H 5/20

D12/12

D622,182 S \* 8/2010 Parimi ..... F41H 5/20

D12/12

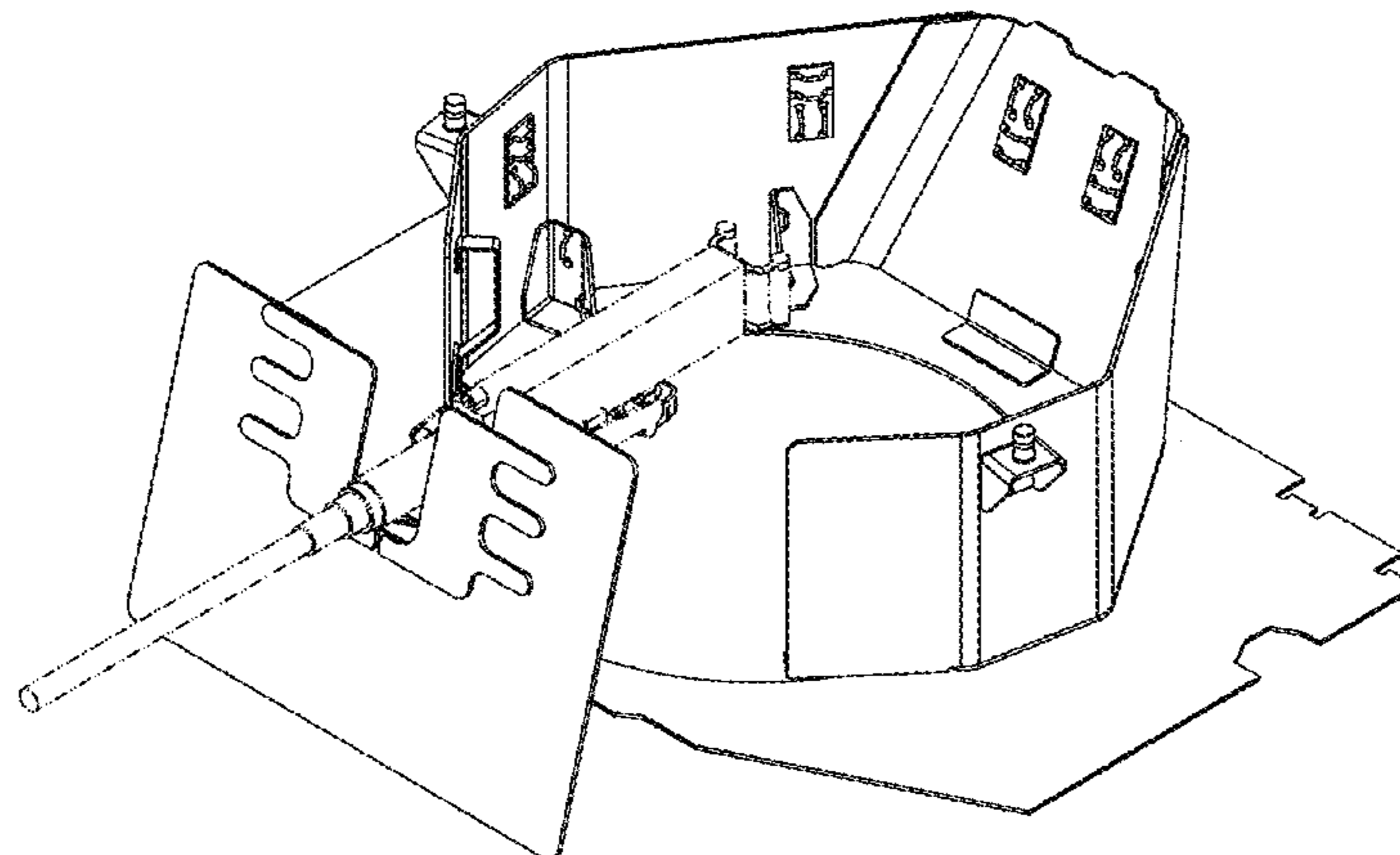
FIG. 6 is a back elevational view of a gunner protection turret enclosure with adjustable forward gun shield and vehicle adapter plate; and,

FIG. 7 is a top plan view of a gunner protection turret enclosure with adjustable forward gun shield and vehicle adapter plate.

The broken lines shown in the Figures depict unclaimed subject matter only and form no part of the claimed design.

(Continued)

**1 Claim, 7 Drawing Sheets**



(56)

**References Cited**

U.S. PATENT DOCUMENTS

7,942,092 B1 \* 5/2011 Kiel ..... F41H 5/16  
89/36.08  
8,402,877 B1 \* 3/2013 Petrosillo ..... F41H 5/013  
89/36.03  
8,434,395 B1 \* 5/2013 Petrosillo ..... F41H 5/06  
89/36.01  
8,910,559 B1 \* 12/2014 Berman ..... F41H 5/263  
89/36.08  
9,086,255 B1 \* 7/2015 Berman ..... F41H 5/20  
D781,746 S \* 3/2017 Kiel ..... D12/12  
D786,131 S \* 5/2017 Kiel ..... D12/12  
2005/0188831 A1 \* 9/2005 Squires ..... F41H 5/0435  
89/36.02  
2009/0120274 A1 \* 5/2009 Schneider ..... F41H 5/20  
89/36.08  
2011/0197747 A1 \* 8/2011 Schneider ..... F41H 5/013  
89/36.08  
2012/0188078 A1 \* 7/2012 Soles ..... G08B 13/126  
340/540  
2014/0083284 A1 \* 3/2014 Chu ..... F41H 5/013  
89/36.02

\* cited by examiner

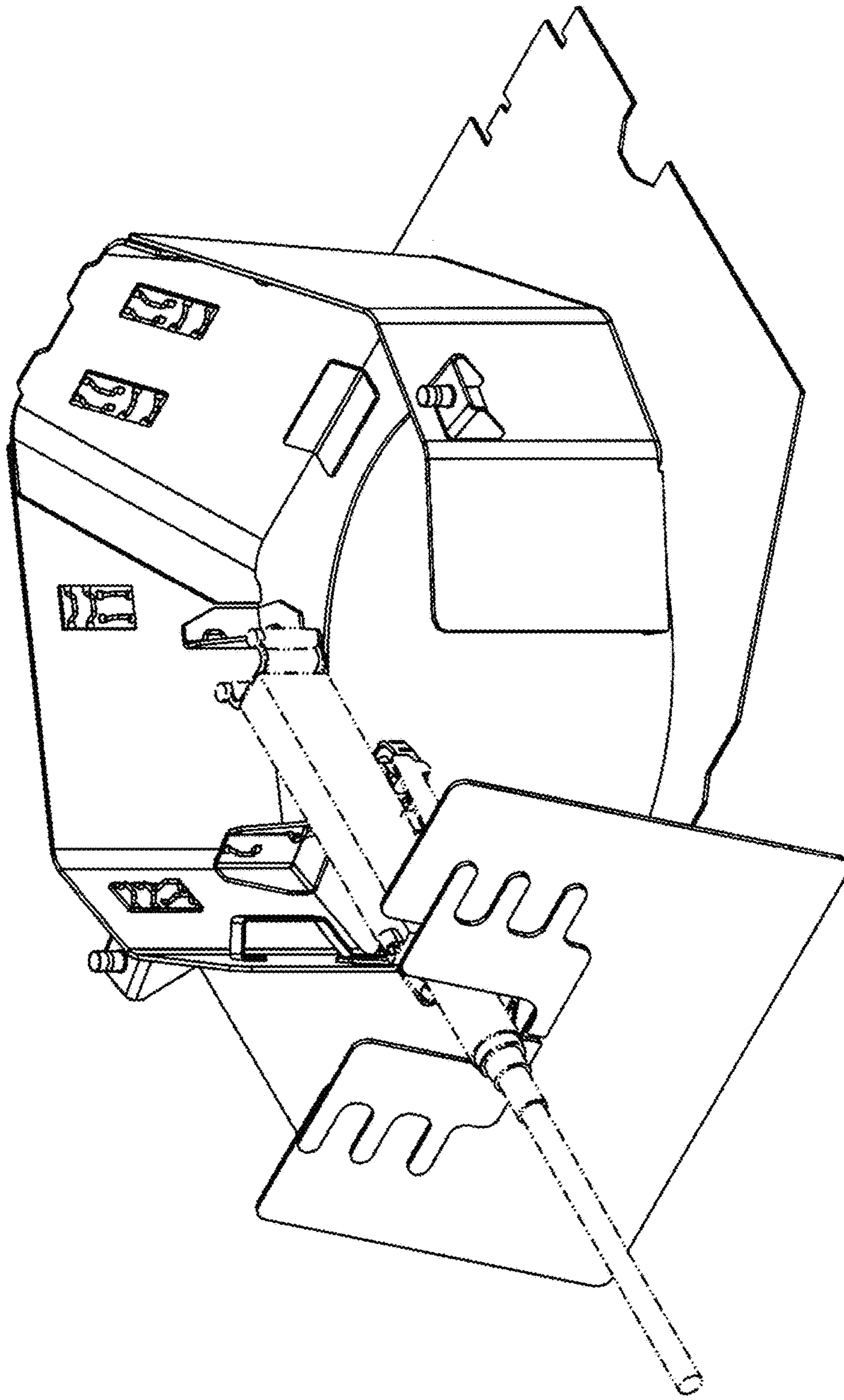


FIG. 1

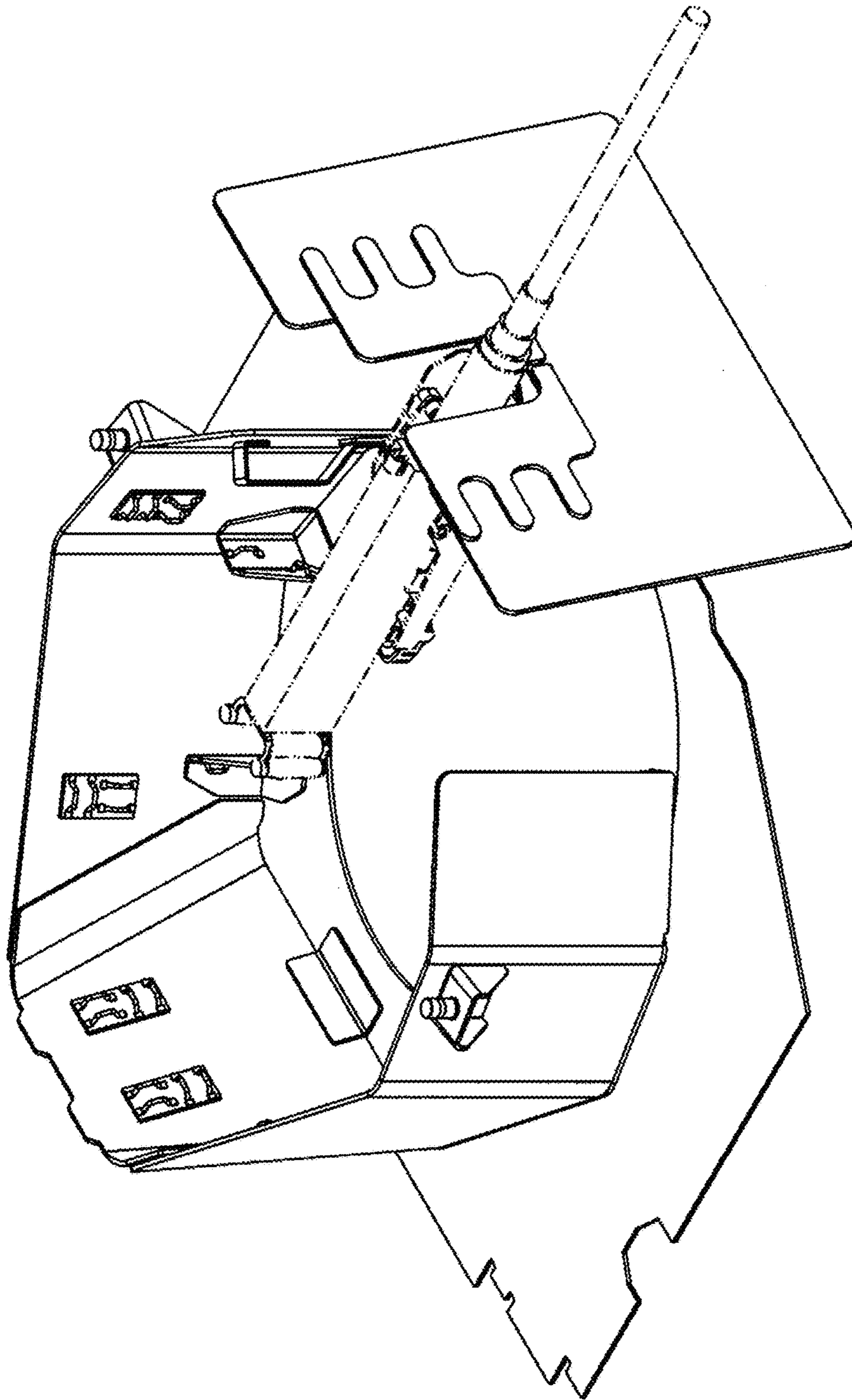


FIG. 2

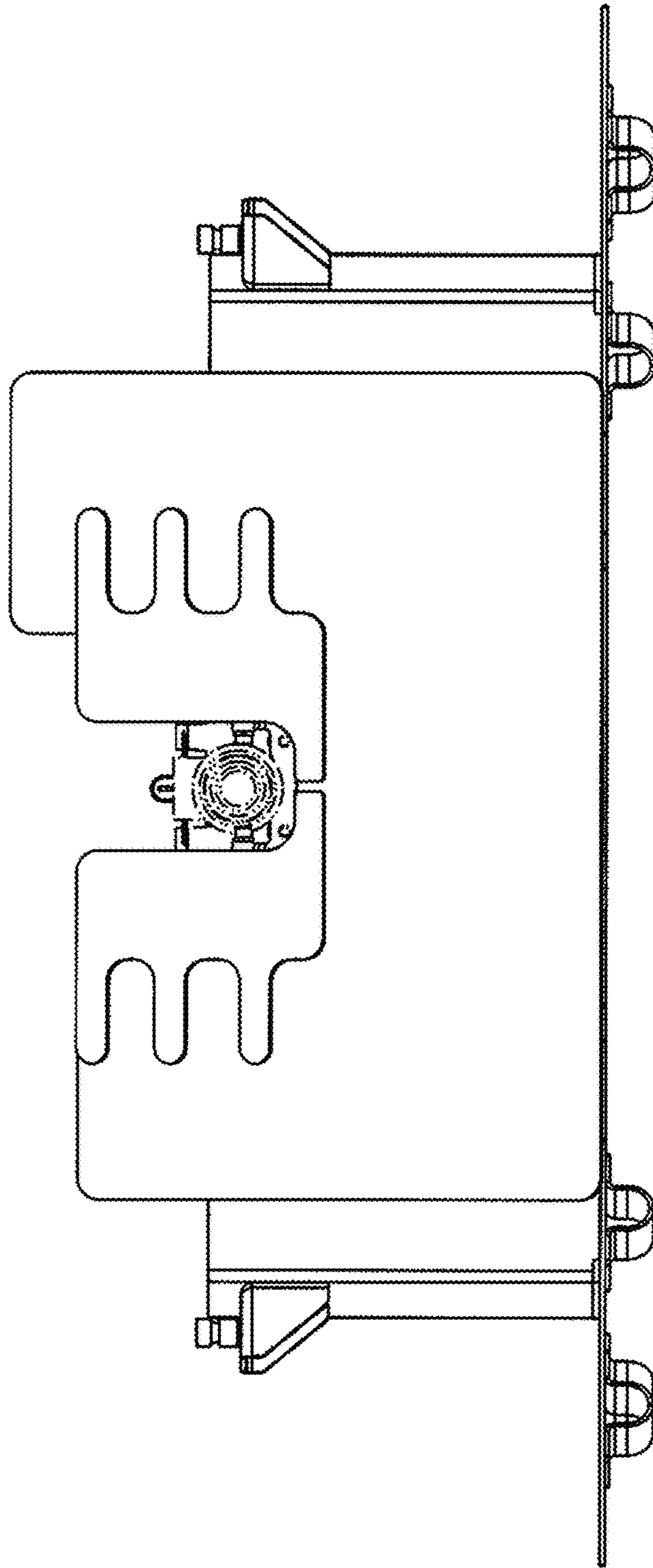


FIG. 3

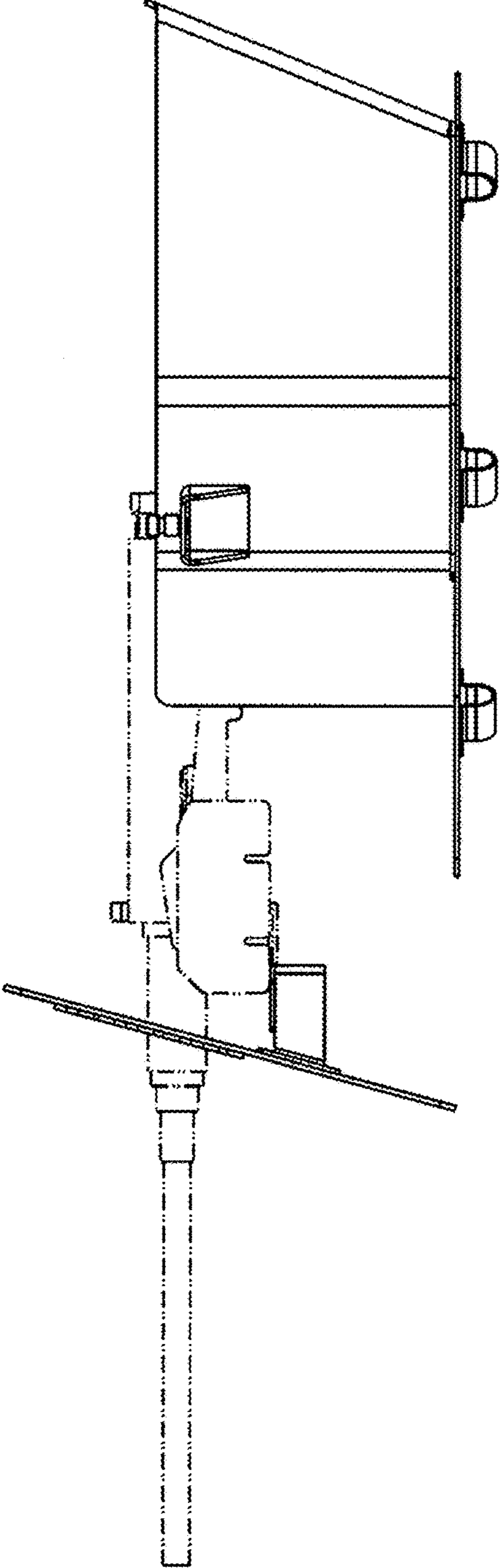


FIG. 4

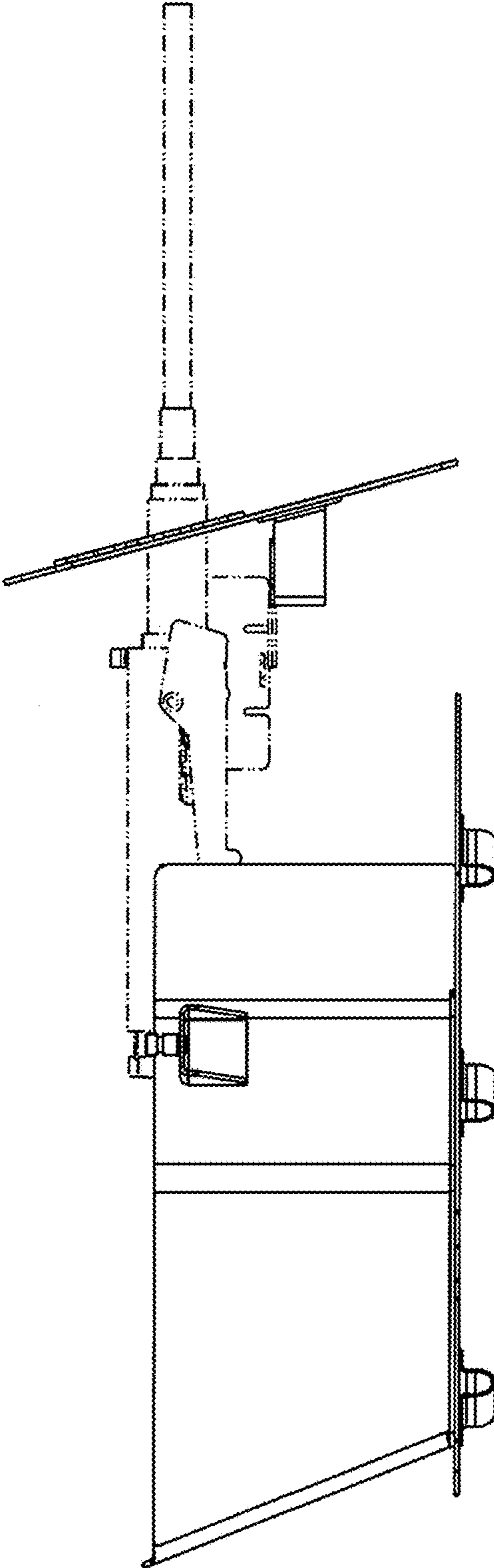


FIG. 5

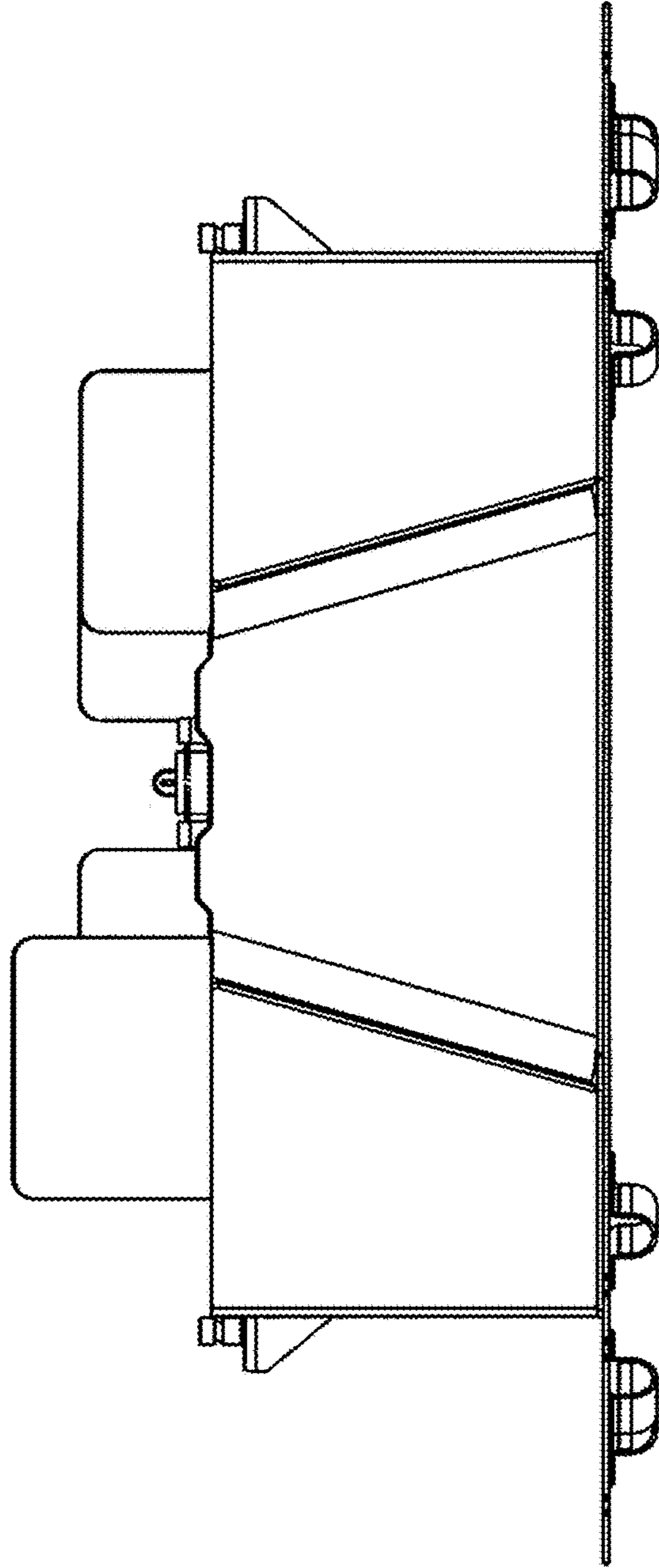


FIG. 6



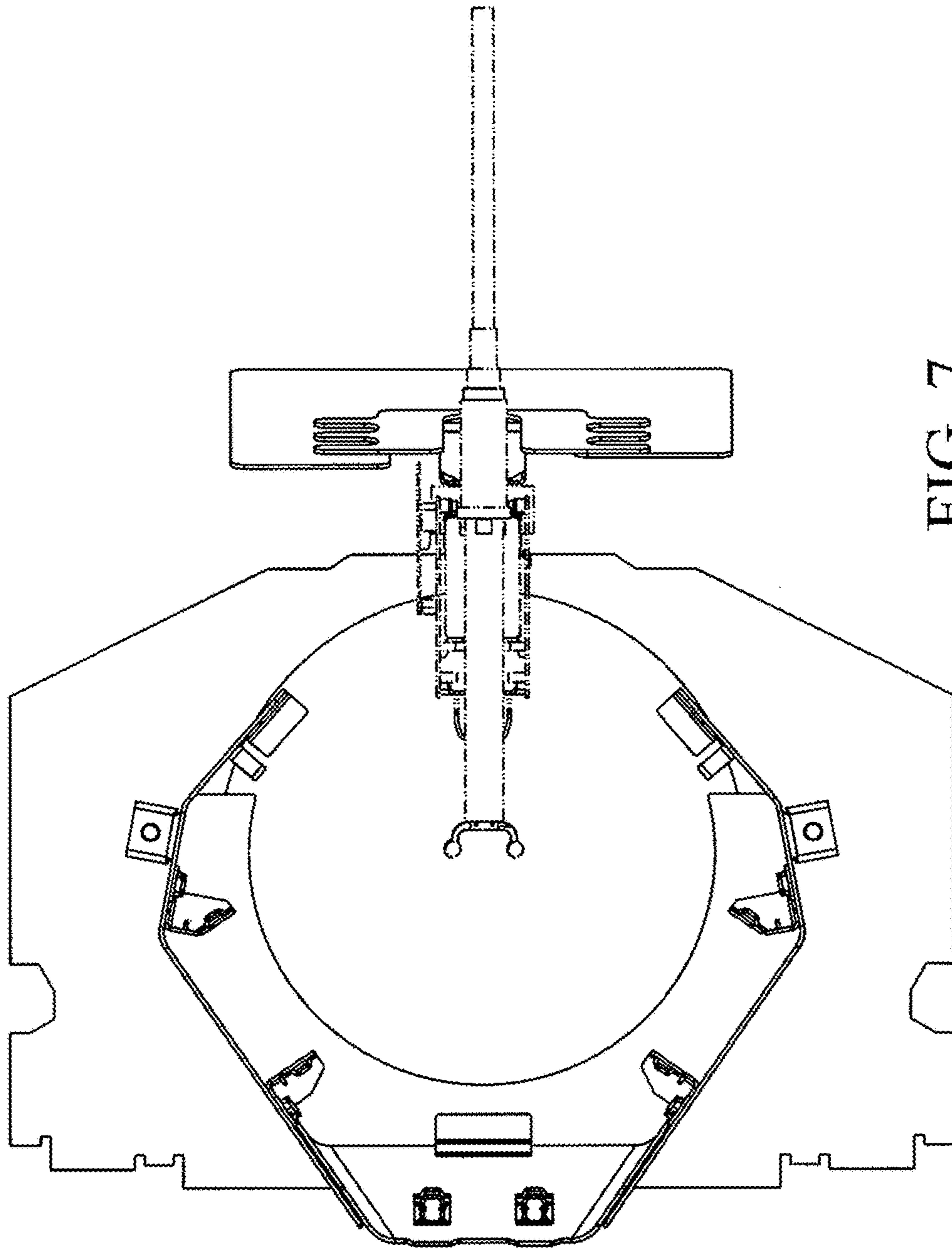


FIG. 7