



US00D849595S

(12) **United States Design Patent** (10) **Patent No.:** **US D849,595 S**
Akana et al. (45) **Date of Patent:** **** May 28, 2019**

(54) **BAND**

(71) Applicant: **Apple Inc.**, Cupertino, CA (US)

(72) Inventors: **Jody Akana**, San Francisco, CA (US); **Bartley K. Andre**, Palo Alto, CA (US); **Shota Aoyagi**, San Francisco, CA (US); **Anthony Michael Ashcroft**, San Francisco, CA (US); **Jeremy Bataillou**, San Francisco, CA (US); **Daniel J. Coster**, San Francisco, CA (US); **Daniele De Iullis**, San Francisco, CA (US); **M. Evans Hankey**, San Francisco, CA (US); **Julian Hoenig**, San Francisco, CA (US); **Richard P. Howarth**, San Francisco, CA (US); **Jonathan P. Ive**, San Francisco, CA (US); **Duncan Robert Kerr**, San Francisco, CA (US); **Marc A. Newson**, London (GB); **Matthew Dean Rohrbach**, San Francisco, CA (US); **Peter Russell-Clarke**, San Francisco, CA (US); **Benjamin Andrew Shaffer**, San Jose, CA (US); **Mikael Silvano**, San Francisco, CA (US); **Christopher J. Stringer**, Woodside, CA (US); **Eugene Antony Whang**, San Francisco, CA (US); **Rico Zörkendörfer**, San Francisco, CA (US)

(73) Assignee: **Apple Inc.**, Cupertino, CA (US)

(**) Term: **15 Years**

(21) Appl. No.: **29/557,337**

(22) Filed: **Mar. 8, 2016**

Related U.S. Application Data

(63) Continuation of application No. 29/524,102, filed on Apr. 16, 2015, now Pat. No. Des. 755,074, which is a continuation of application No. 29/498,997, filed on Aug. 11, 2014, now Pat. No. Des. 727,199.

(51) **LOC (11) Cl.** **11-01**

(52) **U.S. Cl.**

USPC **D11/94**

(58) **Field of Classification Search**

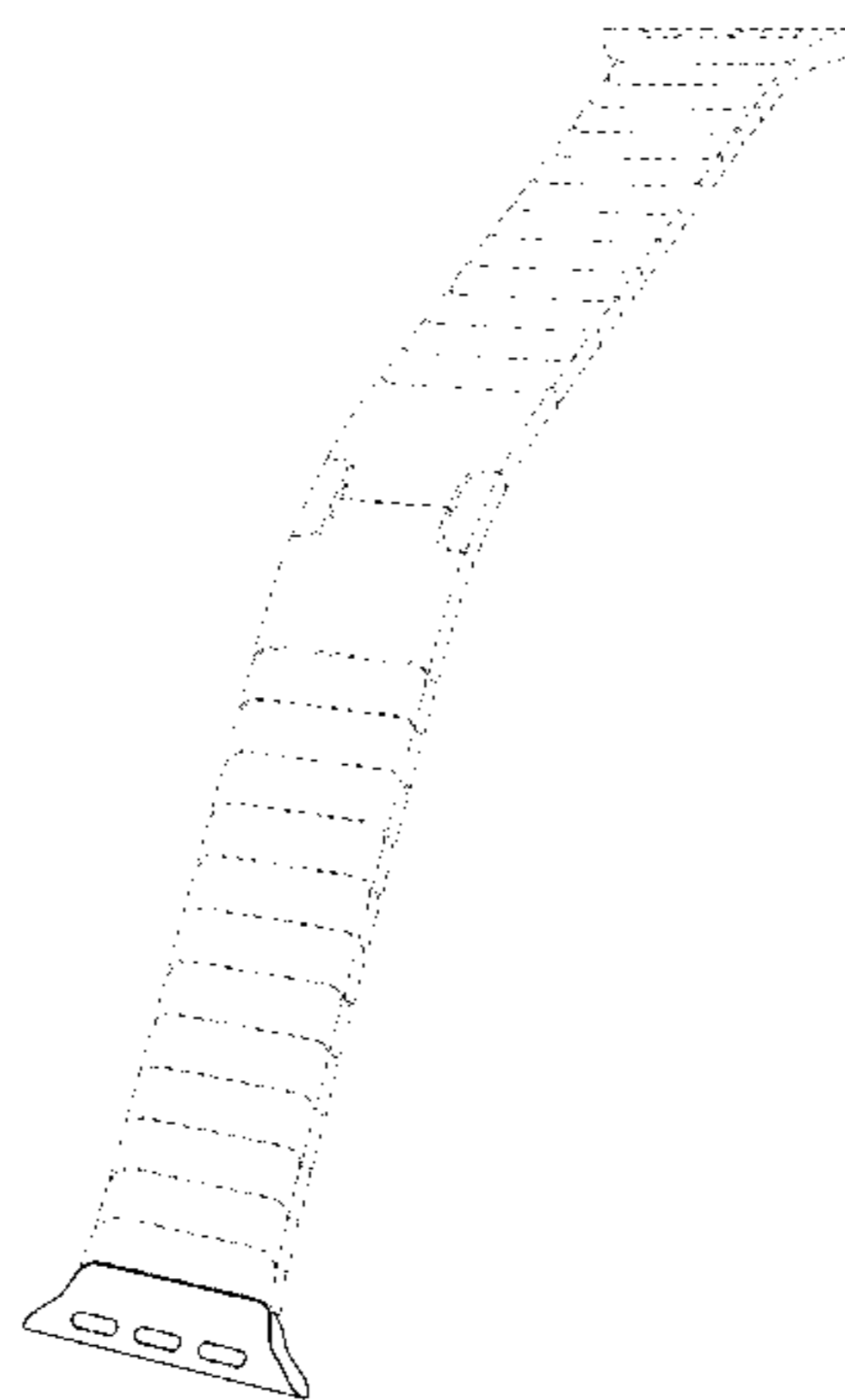
USPC D11/1-25, 86, 87, 93, 94, 234, 235, 231; D10/30-39, 70, 46; 368/282, 285; 600/301; 224/164, 175
CPC G04B 37/1486; G04B 37/16; G04B 37/18; A44C 5/14; A44C 5/0053; A44C 5/0069; A44C 5/0076; A44C 5/00; A44C 5/0007; A44C 5/0015; A44C 5/0023; A44C 5/003; A44C 5/0061; A44C 5/12; A44C 5/147; A44C 5/18; A44C 5/185; A44C 5/2047; A44C 5/2052; A44B 11/006; A44B 11/24

See application file for complete search history.

(56) **References Cited**

U.S. PATENT DOCUMENTS

| | | | |
|--------------|---------|----------------|--------|
| 1,712,564 A | 5/1929 | Jones | |
| 1,712,582 A | 5/1929 | Renz | |
| 1,738,407 A | 12/1929 | Tost | |
| 1,740,894 A | 12/1929 | Johnson | |
| 1,760,662 A | 5/1930 | Prestinari | |
| 1,764,440 A | 6/1930 | Gammell et al. | |
| 1,784,582 A | 12/1930 | Doppenschmitt | |
| 1,786,943 A | 12/1930 | Gammell | |
| 2,500,649 A | 3/1950 | Szeglin | |
| 3,030,686 A | 4/1962 | Burkhardt | |
| 3,372,500 A | 3/1968 | Claude | |
| 3,665,565 A | 5/1972 | Kruger | |
| 3,675,284 A | 7/1972 | Rieth | |
| 3,914,933 A | 10/1975 | Carlone | |
| 3,965,670 A | 6/1976 | Ihringer | |
| 3,994,126 A | 11/1976 | Rieth | |
| D249,244 S | 9/1978 | Salter | |
| 4,125,920 A | 11/1978 | Grimes | |
| D250,634 S | 12/1978 | Porsche | |
| D251,829 S | 5/1979 | Sulek | |
| D256,568 S | 8/1980 | Young | |
| 4,266,400 A | 5/1981 | Tabata | |
| D287,705 S | 1/1987 | Malamoud | |
| 4,681,461 A | 7/1987 | Gogniat | |
| D305,743 S * | 1/1990 | Hirsch | D11/94 |
| 5,239,521 A | 8/1993 | Blonder | |
| D339,309 S | 9/1993 | Butler | |
| 5,363,351 A | 11/1994 | Carney | |
| 5,441,686 A | 8/1995 | Jackl et al. | |
| D365,994 S | 1/1996 | Brennan | |



US D849,595 S

Page 2

| | | | |
|--------------|---------|-----------------|--------|
| D408,301 S | 4/1999 | Porsche et al. | |
| D409,503 S | 5/1999 | Giugiaro | |
| D424,952 S | 5/2000 | Porsche et al. | |
| 6,101,842 A | 8/2000 | Delacretaz | |
| D433,638 S | 11/2000 | Kaneko et al. | |
| 6,198,698 B1 | 3/2001 | Graves | |
| D473,818 S | 4/2003 | Salvisberg | |
| D488,392 S | 4/2004 | Tschumi | |
| D494,098 S | 8/2004 | Cohen | |
| 6,782,690 B2 | 8/2004 | Kwan | |
| D506,685 S | 6/2005 | Yamamoto | |
| 7,013,631 B2 | 3/2006 | Carrola | |
| D581,811 S | 12/2008 | Messmer et al. | |
| D584,170 S | 1/2009 | Morrison | |
| D588,472 S | 3/2009 | Messmer et al. | |
| D600,142 S | 9/2009 | Takahashi | |
| D631,761 S | 2/2011 | Barbier | |
| D642,074 S | 7/2011 | Chastaingt | |
| D643,772 S * | 8/2011 | Mikkelsen | D11/93 |
| D671,015 S | 11/2012 | Monachon | |
| D674,710 S | 1/2013 | Monachon | |
| 8,601,784 B2 | 12/2013 | Kaltenrieder | |
| D704,077 S | 5/2014 | Monachon | |
| D720,630 S | 1/2015 | Nashimoto | |
| D724,469 S | 3/2015 | Akana et al. | |
| D727,197 S | 4/2015 | Akana et al. | |
| D727,198 S | 4/2015 | Akana et al. | |
| D727,199 S | 4/2015 | Akana et al. | |
| D727,787 S | 4/2015 | Akana et al. | |
| D731,346 S | 6/2015 | Akana et al. | |
| D735,060 S | 7/2015 | Monachon | |
| D735,588 S * | 8/2015 | Shimunov | D10/32 |
| D736,664 S | 8/2015 | Paradise et al. | |
| D737,156 S | 8/2015 | Akana et al. | |
| D737,157 S | 8/2015 | Akana et al. | |
| D737,158 S | 8/2015 | Akana et al. | |
| D737,159 S | 8/2015 | Akana et al. | |
| D739,780 S | 9/2015 | Akana et al. | |
| D744,356 S | 12/2015 | Akana et al. | |
| D745,421 S | 12/2015 | Akana et al. | |
| D746,707 S | 1/2016 | Akana et al. | |
| D747,234 S * | 1/2016 | Akana | D11/3 |
| D748,008 S | 1/2016 | Akana et al. | |
| D748,009 S | 1/2016 | Akana et al. | |
| D748,010 S | 1/2016 | Akana et al. | |
| D748,527 S | 2/2016 | Akana et al. | |
| D749,009 S | 2/2016 | Akana et al. | |
| D749,450 S * | 2/2016 | Akana | D11/3 |
| D749,460 S | 2/2016 | Akana | |
| D749,977 S * | 2/2016 | Akana | D11/3 |
| D750,524 S * | 3/2016 | Akana | D11/3 |
| D750,525 S * | 3/2016 | Akana | D11/3 |
| D753,008 S * | 4/2016 | Akana | D11/3 |
| D761,688 S * | 7/2016 | Akana | D11/94 |
| D761,689 S * | 7/2016 | Akana | D11/94 |
| D762,515 S * | 8/2016 | Akana | D11/94 |
| D763,123 S * | 8/2016 | Akana | D11/94 |
| D763,124 S * | 8/2016 | Akana | D11/94 |
| D763,125 S * | 8/2016 | Akana | D11/94 |
| D763,126 S * | 8/2016 | Akana | D11/94 |
| D763,127 S * | 8/2016 | Akana | D11/94 |
| D763,128 S * | 8/2016 | Akana | D11/94 |
| D763,724 S * | 8/2016 | Akana | D11/94 |
| D763,725 S * | 8/2016 | Akana | D11/94 |
| D763,726 S * | 8/2016 | Akana | D11/94 |
| D764,346 S * | 8/2016 | Akana | D11/94 |
| D764,347 S * | 8/2016 | Akana | D11/94 |
| D764,964 S * | 8/2016 | Akana | D11/94 |
| D764,965 S * | 8/2016 | Akana | D11/94 |
| D764,966 S * | 8/2016 | Akana | D11/94 |
| D764,967 S * | 8/2016 | Akana | D11/94 |
| D768,025 S * | 10/2016 | Akana | D11/3 |
| D777,600 S * | 1/2017 | Lee | D11/87 |
| D779,990 S * | 2/2017 | Akana | D11/3 |
| D779,992 S * | 2/2017 | Akana | D11/3 |
| D779,993 S * | 2/2017 | Akana | D11/3 |
| D786,127 S * | 5/2017 | Akana | D11/94 |
| D795,121 S * | 8/2017 | Akana | D11/3 |
| D796,990 S * | 9/2017 | Bang | D11/94 |

| | | | |
|-------------------|---------|-----------------|----------------------|
| D796,991 S * | 9/2017 | Hong | D11/94 |
| D798,189 S * | 9/2017 | Nielsen | D10/128 |
| D798,760 S * | 10/2017 | Akana | D11/3 |
| D821,912 S * | 7/2018 | Ke | D11/94 |
| 2005/0207284 A1 | 9/2005 | Hiranuma et al. | |
| 2005/0210857 A1 | 9/2005 | Carrola | |
| 2007/0070823 A1 * | 3/2007 | Sima | A44C 5/14 368/282 |
| 2007/0125123 A1 | 6/2007 | Sierro et al. | |
| 2007/0180857 A1 | 8/2007 | Giordano | |
| 2012/0168471 A1 | 7/2012 | Wilson | |
| 2012/0312052 A1 | 12/2012 | Yliluoma et al. | |
| 2014/0096345 A1 | 4/2014 | Tschumi | |
| 2014/0098649 A1 | 4/2014 | Tschumi | |
| 2015/0085623 A1 | 3/2015 | Modaragamage | |

FOREIGN PATENT DOCUMENTS

| | | |
|----|------------------|---------|
| CN | 2613171 Y | 4/2004 |
| EP | 1136010 B1 | 11/2003 |
| EP | 2636328 A1 | 9/2013 |
| GB | 618917 A | 3/1949 |
| GB | 2047514 A | 12/1980 |
| GB | 2033807 | 3/1994 |
| GB | 2082277 | 6/1999 |
| GB | 2086601 | 11/1999 |
| GB | 2095450 | 12/2000 |
| JP | D1038962 | 5/1999 |
| JP | D1038963 | 5/1999 |
| JP | D1088241 | 10/2000 |
| JP | D1092722 | 12/2000 |
| JP | D1095359 | 1/2001 |
| JP | D1115866 | 7/2001 |
| JP | D1126997 | 11/2001 |
| JP | D1130391 | 1/2002 |
| JP | D1194393 | 1/2004 |
| JP | D1231469 | 2/2005 |
| JP | D1350052 | 2/2009 |
| JP | D1350493 | 2/2009 |
| JP | 5479052 B2 | 4/2014 |
| KR | 30-0298089 | 5/2002 |
| KR | 30-0476859 | 1/2008 |
| KR | 30-0476860 | 1/2008 |
| WO | WO-9117679 A1 | 11/1991 |
| WO | WO-DM/033704-002 | 9/1995 |
| WO | WO-DM/041969-001 | 1/1998 |
| WO | WO-DM/047086-002 | 5/1999 |
| WO | WO-DM/061681-002 | 10/2002 |
| WO | WO-DM/063315-002 | 5/2003 |
| WO | WO-DM/068937-006 | 6/2007 |
| WO | WO-DM/070624-004 | 10/2008 |
| WO | WO-DM071101 | 12/2008 |
| WO | WO-DM/074430-001 | 11/2010 |
| WO | WO-2013182397 A1 | 12/2013 |

OTHER PUBLICATIONS

Haedges, "1 Set Silver End Cap Clasp—Findings Large Toggle Clasp End Caps Buckle Connector with Five Inside Loops for Jewelry Making 26mm," <http://www.etsy.com/listing/101269004/1-set-silver-end-cap-clasp-findings?ref=market>, Listed on Aug. 29, 2014, accessed Oct. 9, 2014.

Ipod Nano Watch Band Metal, <http://trend-kid.com/ipod-nano-watch-band-orange.htm>, accessed Dec. 5, 2014.

[Online] <http://i1-news.softpedia-static.com/images/news2/The-Chips-for-Apple-s-Smartwatch-Are-Entering-Production-464937-2.jpg Retrieved on Feb. 17, 2015.

[Online] http://store.storeimages.cdn-apple.com/4869/as-images.apple.com/is/image/AppleInc/aos/published/images/w/42/w42ss/slsi/w42ss-slsi-sel-201509_GEO_US?wid=332&hei=392&fmt=jpeg&qlt=95&op_

sharpen=0&resMode=bicub&op_usm=0.5,0.5,0,0&iccEmbed=0
&layer=comp&.v=1441818072115. Retrieved Dec. 9, 2015.
Suunto D6 Replacement Stainless Metal Watch Band Bracelet
SS013525000 w/ Free Shipping and Handling, <http://www.
opticsplanet.com/suunto-d6-replacement-stainless-bracelet.html
>, accessed Dec. 5, 2014.

Thomas Ricker, “Nike’s Amp+ watch: hearts your heart and iPod,
too,” Oct. 5, 2007, <http://www.engadget.com/2007/10/05/nikes-
amp-watch-hearts-your-heart-and-ipod-too/>, accessed Dec. 17,
2014.

Twist-O-Flex Radial (16-21mm, Stainless Steel), <http://www.
thewatchprince.com/Speidel-Twist-O-Flex-Expansion-Radial-Stainless
>, accessed Dec. 5, 2014.

etsy.com, “1 Set Silver End Cap Clasp—Findings Large Toggle
Clasp End Caps Buckle Connector with Five Inside Loops for
Jewelry Making 26mm,” <http://www.etsy.com/listing/101269004/
1-set-silver-end-cap-clasp-findings?ref=market>, Listed on Aug. 29,
2014, accessed Oct. 9, 2014.

U.S. Appl. No. 29/499,081, filed Aug. 11, 2014; Akana et al.

U.S. Appl. No. 29/499,082, filed Aug. 11, 2014; Akana et al.

U.S. Appl. No. 29/499,090, filed Aug. 11, 2014; Akana et al.

U.S. Appl. No. 29/501,152, filed Sep. 2, 2014; Akana et al.

U.S. Appl. No. 29/501,624, filed Sep. 5, 2014; Akana et al.

U.S. Appl. No. 29/501,733, filed Sep. 8, 2014; Akana et al.

U.S. Appl. No. 29/501,737, filed Sep. 8, 2014; Akana et al.

U.S. Appl. No. 29/501,759, filed Sep. 8, 2014; Akana et al.

U.S. Appl. No. 29/501,772, filed Sep. 8, 2014; Akana et al.

* cited by examiner

Primary Examiner — Melanie Pellegrini
(74) *Attorney, Agent, or Firm* — Sterne, Kessler,
Goldstein & Fox P.L.L.C.

(57)

CLAIM

The ornamental design for a band, as shown and described.

DESCRIPTION

FIG. 1 is a bottom front perspective view of a band showing
the claimed design;

FIG. 2 is a bottom rear perspective view thereof;

FIG. 3 is a front view thereof;

FIG. 4 is a rear view thereof;

FIG. 5 is a left side view thereof;

FIG. 6 is a right side view thereof;

FIG. 7 is a top view thereof;

FIG. 8 is a bottom view thereof; and,

FIG. 9 is a perspective view thereof showing the band in an
environment in which it may be used.

The broken lines in the figures show portions of the band and
environment that form no part of the claimed design.

1 Claim, 6 Drawing Sheets

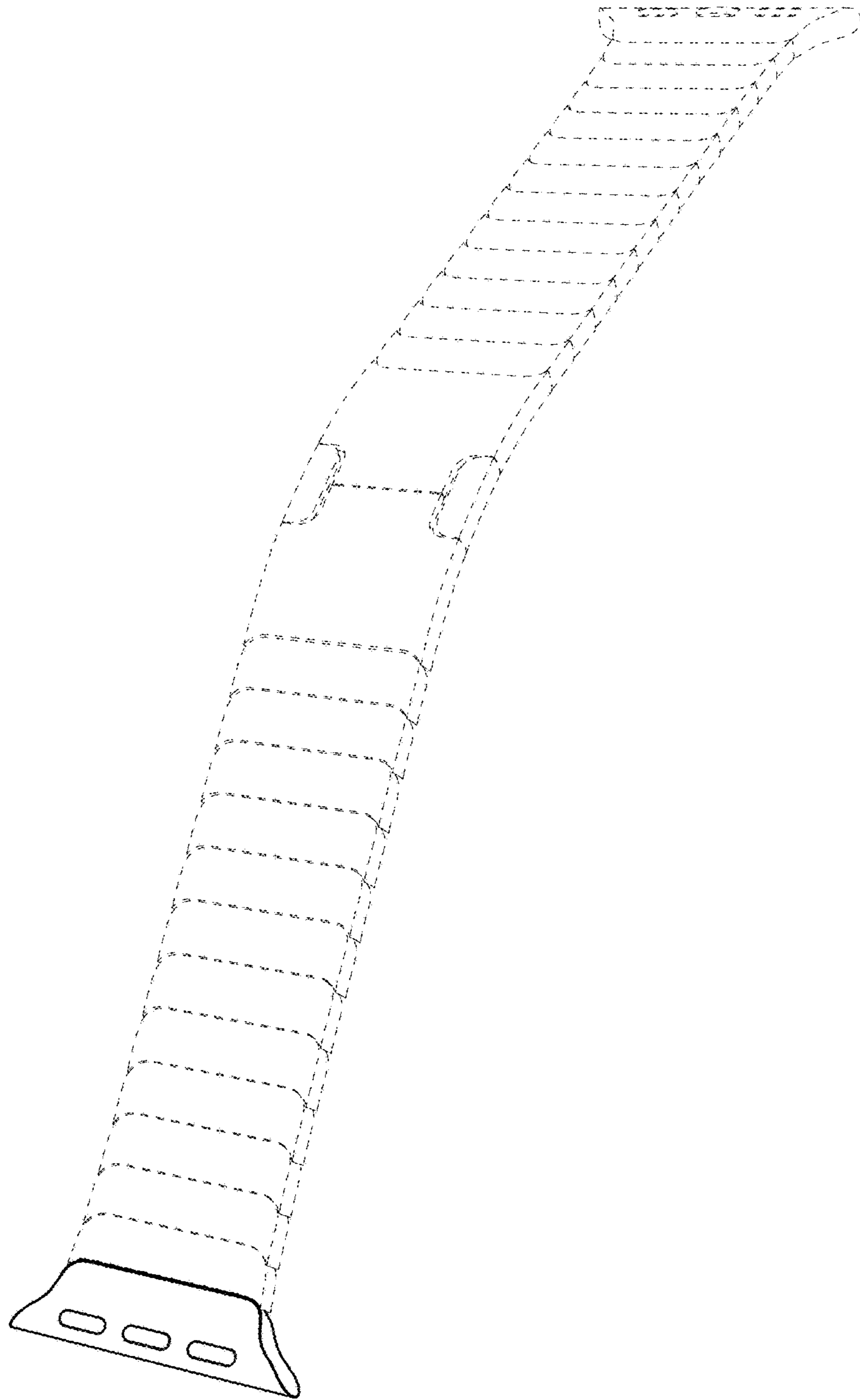


FIG. 1

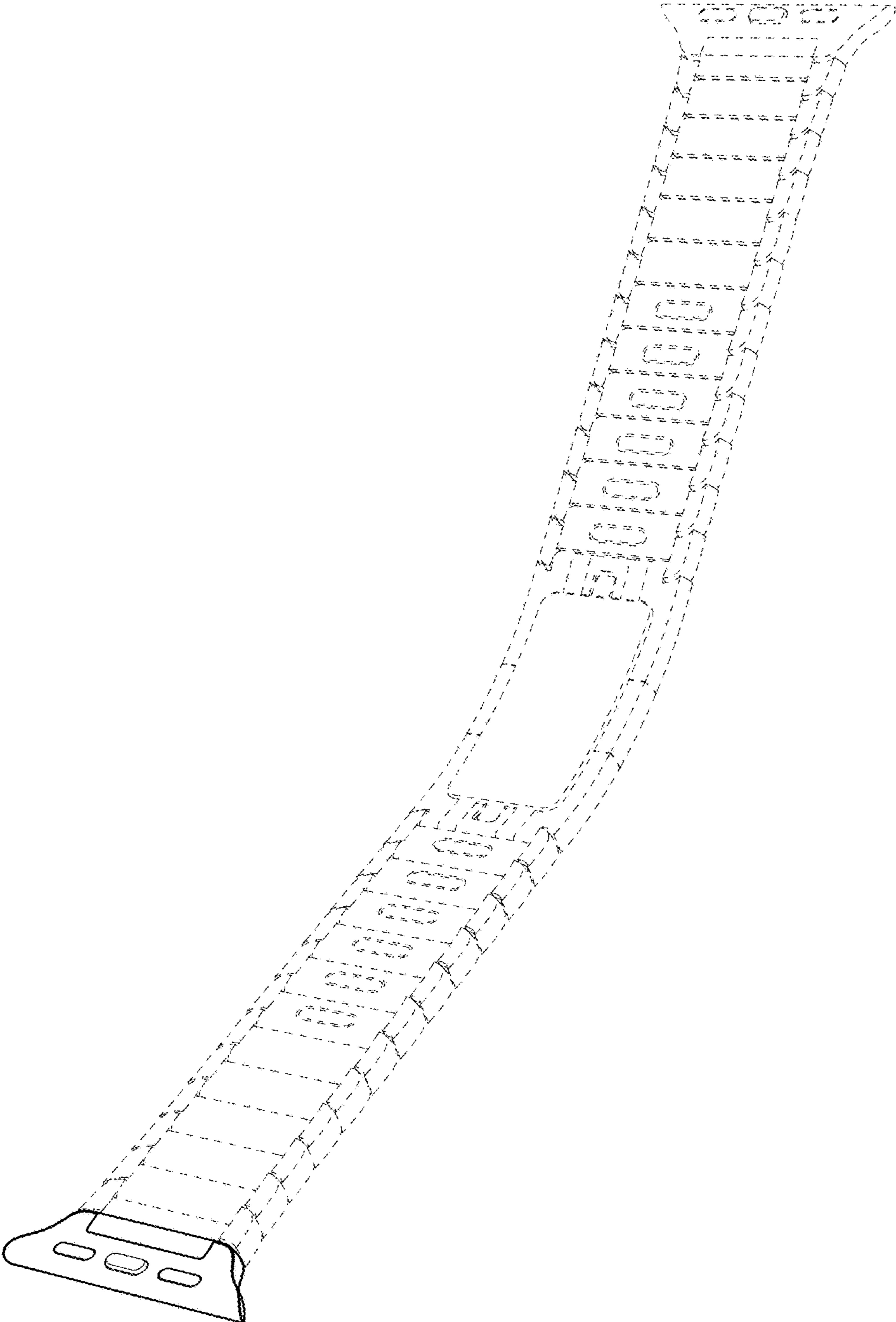


FIG. 2

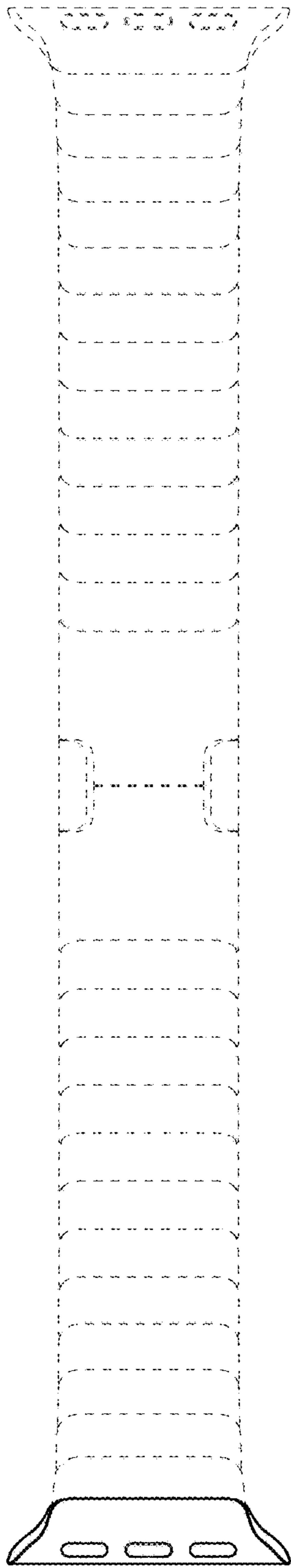


FIG. 3

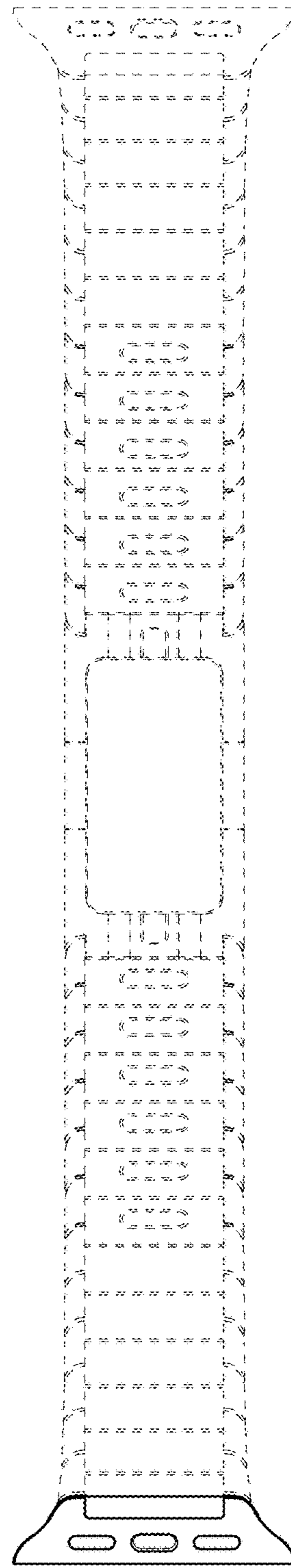


FIG. 4

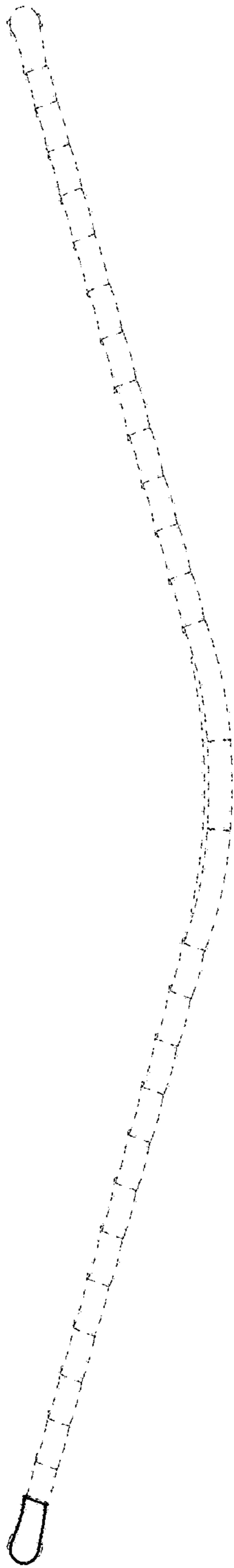


FIG. 5

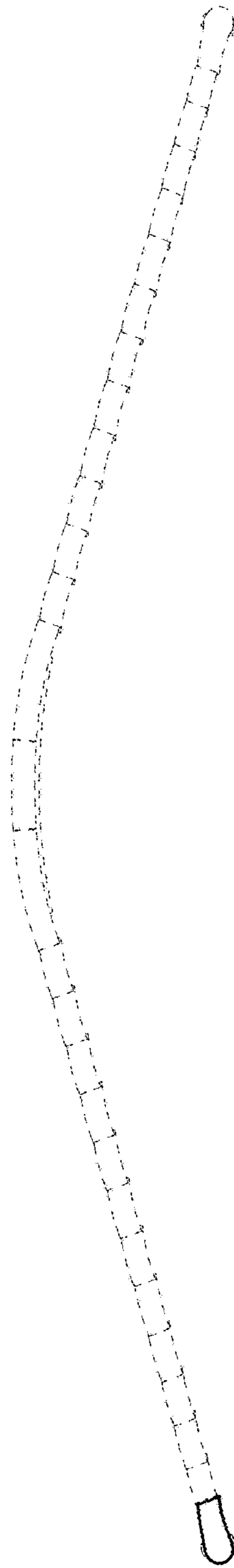


FIG. 6

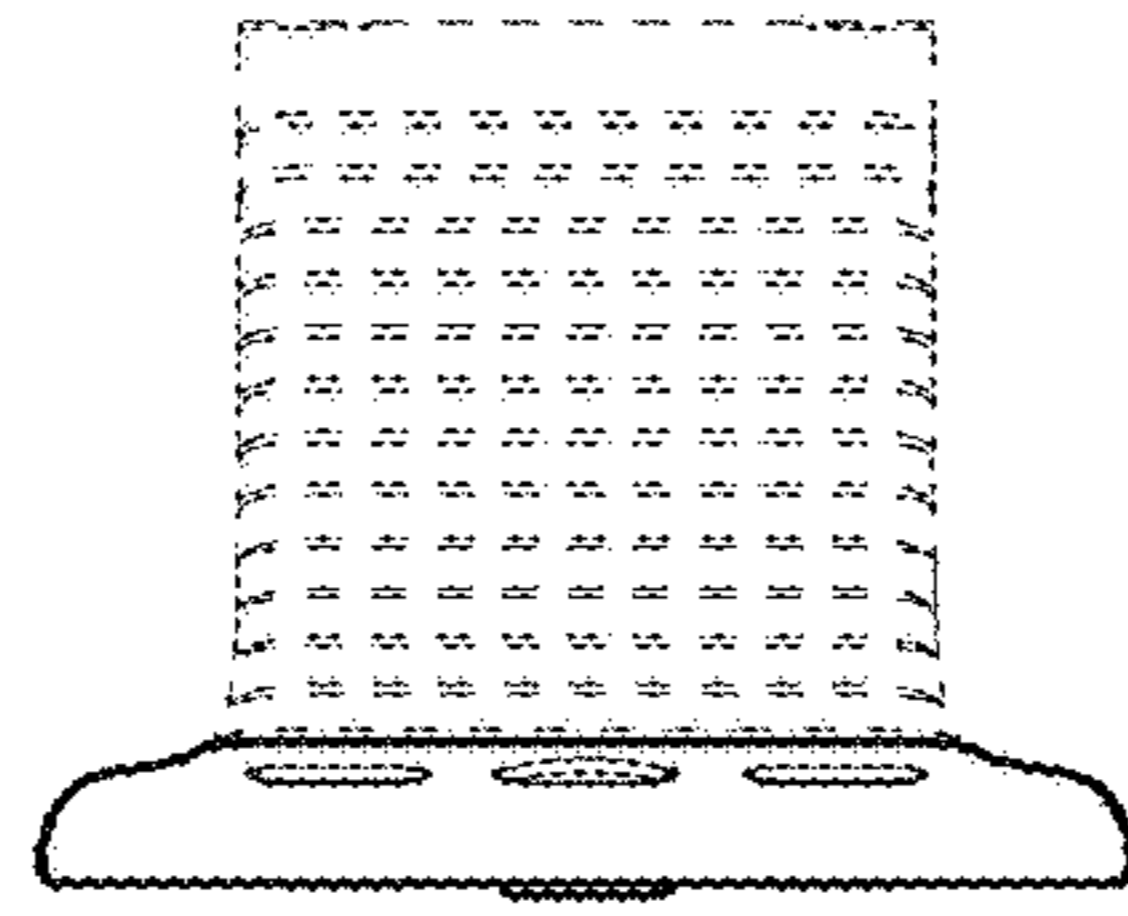


FIG. 7

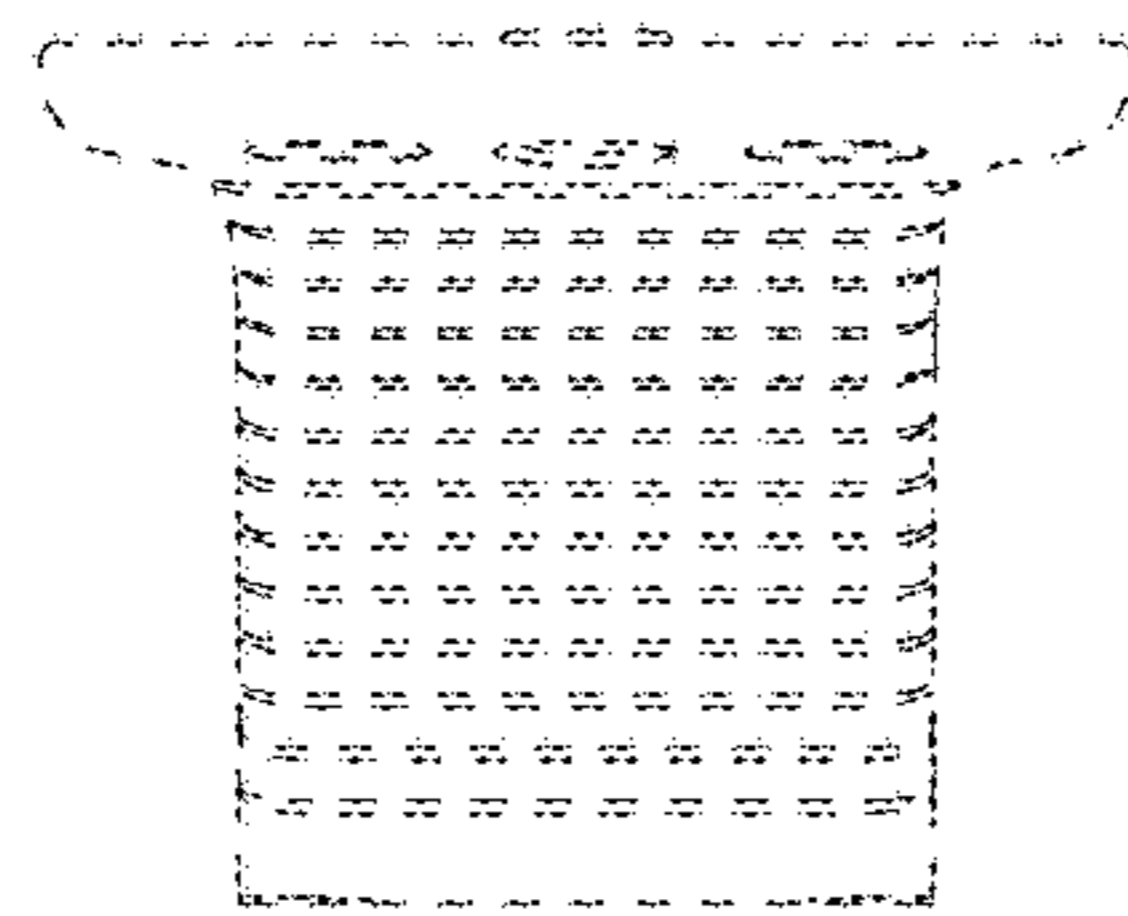


FIG. 8

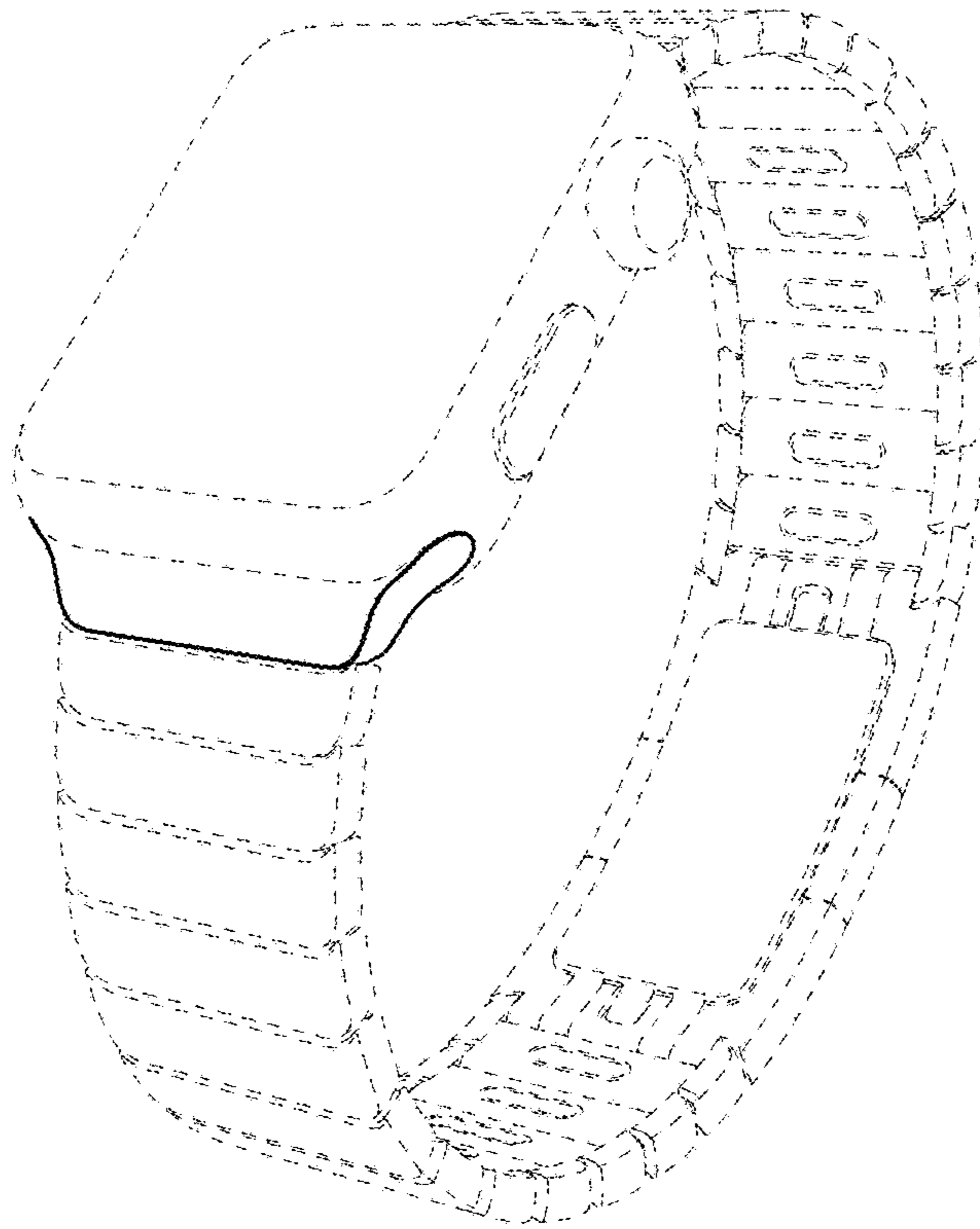


FIG. 9