

US00D849591S

(12) **United States Design Patent**
DiPietro

(10) **Patent No.:** **US D849,591 S**
(45) **Date of Patent:** **** May 28, 2019**

- (54) **BRACELET WITH CLASP**
- (71) Applicant: **Jason DiPietro**, East Providence, RI
(US)
- (72) Inventor: **Jason DiPietro**, East Providence, RI
(US)
- (**) Term: **15 Years**
- (21) Appl. No.: **29/601,233**
- (22) Filed: **Apr. 20, 2017**
- (51) **LOC (11) Cl.** **11-01**
- (52) **U.S. Cl.**
USPC **D11/87**
- (58) **Field of Classification Search**
USPC D11/1-2, 7, 40-44, 46-49, 53, 56, 57,
D11/59-61, 63, 65, 79-83, 86-87, 89-90,
D11/91-92, 99, 101, 106, 114-116,
D11/200-201; D8/382
CPC A44C 5/00; A44C 11/02
See application file for complete search history.

D619,026 S	7/2010	Papadimitriou	
D639,198 S	6/2011	Nigro	
D658,085 S	4/2012	Rafaelian	
D704,085 S	5/2014	DiPietro	
D704,086 S	5/2014	DiPietro	
D704,087 S	5/2014	DiPietro	
D704,588 S	5/2014	DiPietro	
D707,582 S	6/2014	DiPietro	
8,769,986 B1	7/2014	DiPietro	
D712,299 S	9/2014	DiPietro	
8,844,100 B2 *	9/2014	Humphries A44C 5/2085 24/303
8,904,821 B1	12/2014	DiPietro	
D737,170 S *	8/2015	Lafond D11/87
D741,740 S	10/2015	DiPietro	
D772,531 S *	11/2016	Troia D2/706
9,715,960 B2 *	7/2017	Chaizy H01F 7/0242

* cited by examiner

Primary Examiner — Zenia I Bennett
(74) *Attorney, Agent, or Firm* — Salter & Michaelson

(57) **CLAIM**

The ornamental design for a bracelet with clasp, as shown and described.

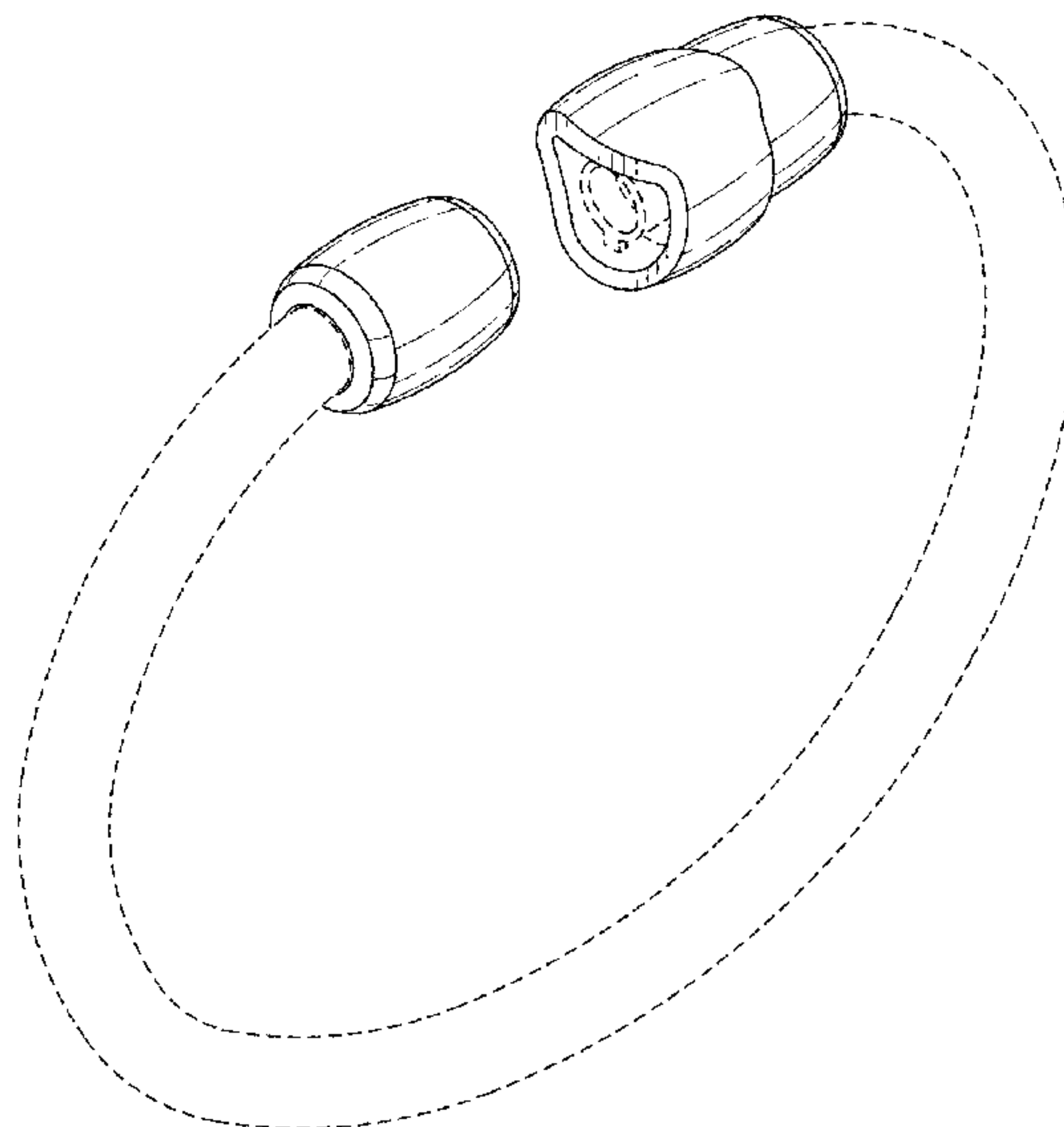
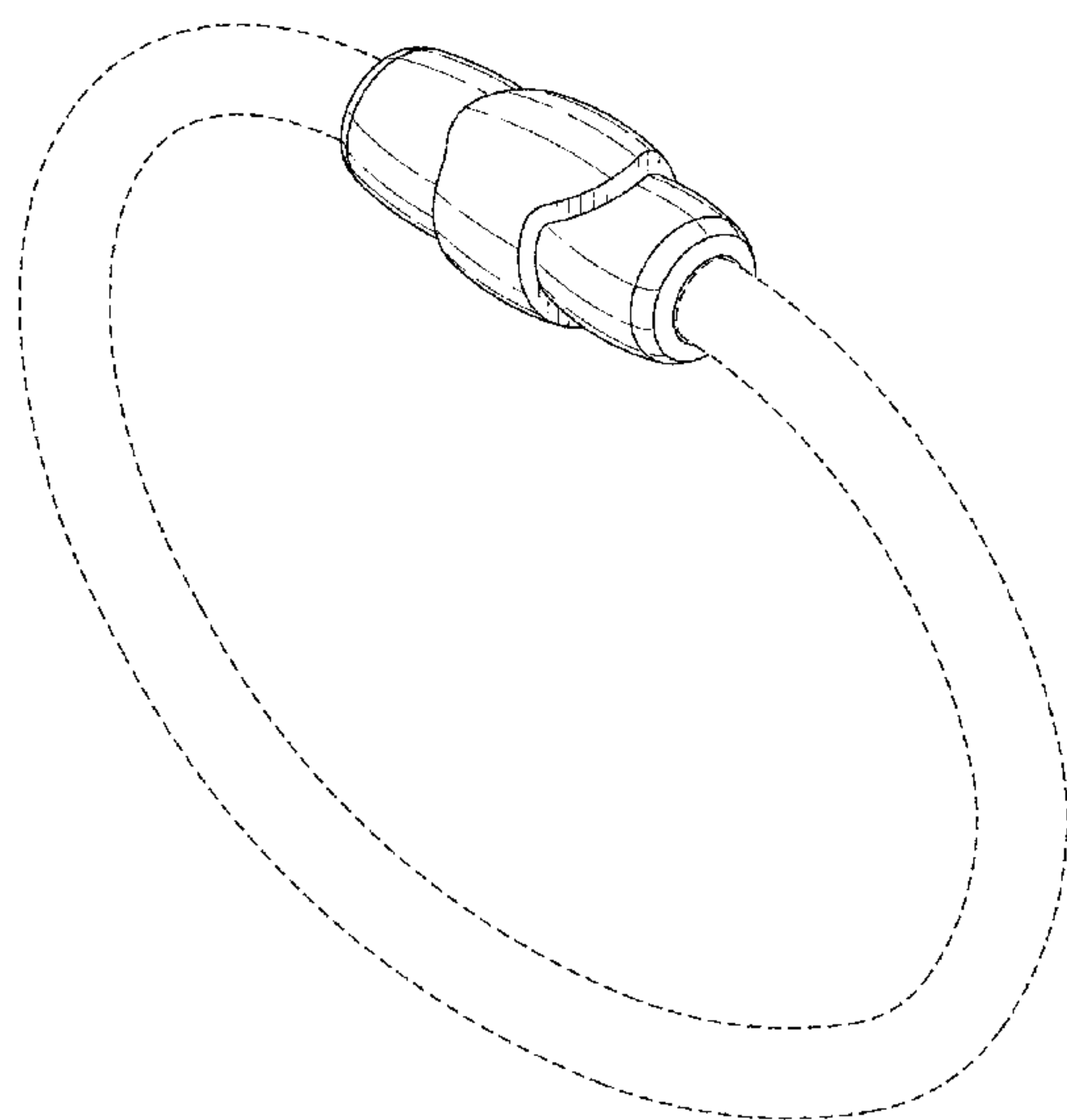
DESCRIPTION

FIG. 1 is a perspective view of a bracelet with clasp; FIG. 2 is a front elevational view thereof; FIG. 3 is a rear elevational view thereof; FIG. 4 is a top plan view thereof; FIG. 5 is a bottom plan view thereof; FIG. 6 is a left side elevational view thereof; FIG. 7 is a right side elevational view thereof; FIG. 8 is an exploded view from one end thereof; and, FIG. 9 is an exploded view from an opposed end. The broken lines depict environmental subject matter only and form no part of the claimed design.

1 Claim, 6 Drawing Sheets

(56) **References Cited**
U.S. PATENT DOCUMENTS

D130,442 S *	11/1941	Goodman D11/87
3,765,064 A *	10/1973	Hooper A44C 5/2052 24/658
6,640,398 B2 *	11/2003	Hoffman A44B 5/00 24/303
D487,709 S	3/2004	Ferlise	
D498,167 S	11/2004	Ferlise	
6,981,391 B2 *	1/2006	Suzuki A44C 5/2076 24/303
7,013,674 B2 *	3/2006	Kretchmer A44C 5/0092 446/137
7,234,208 B2 *	6/2007	Harley H02G 1/081 24/303
D602,799 S	10/2009	Colombani	



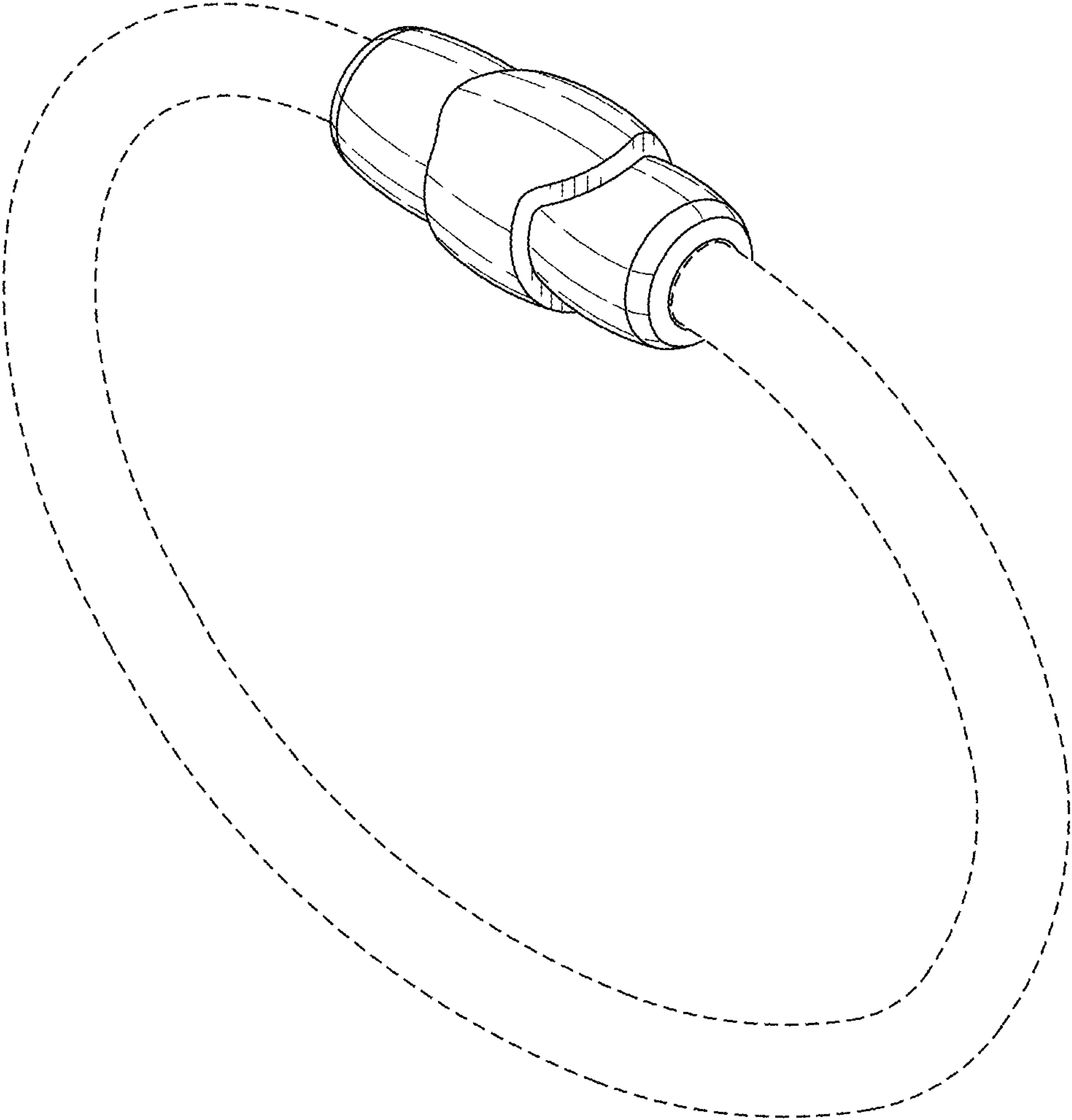


FIG. 1

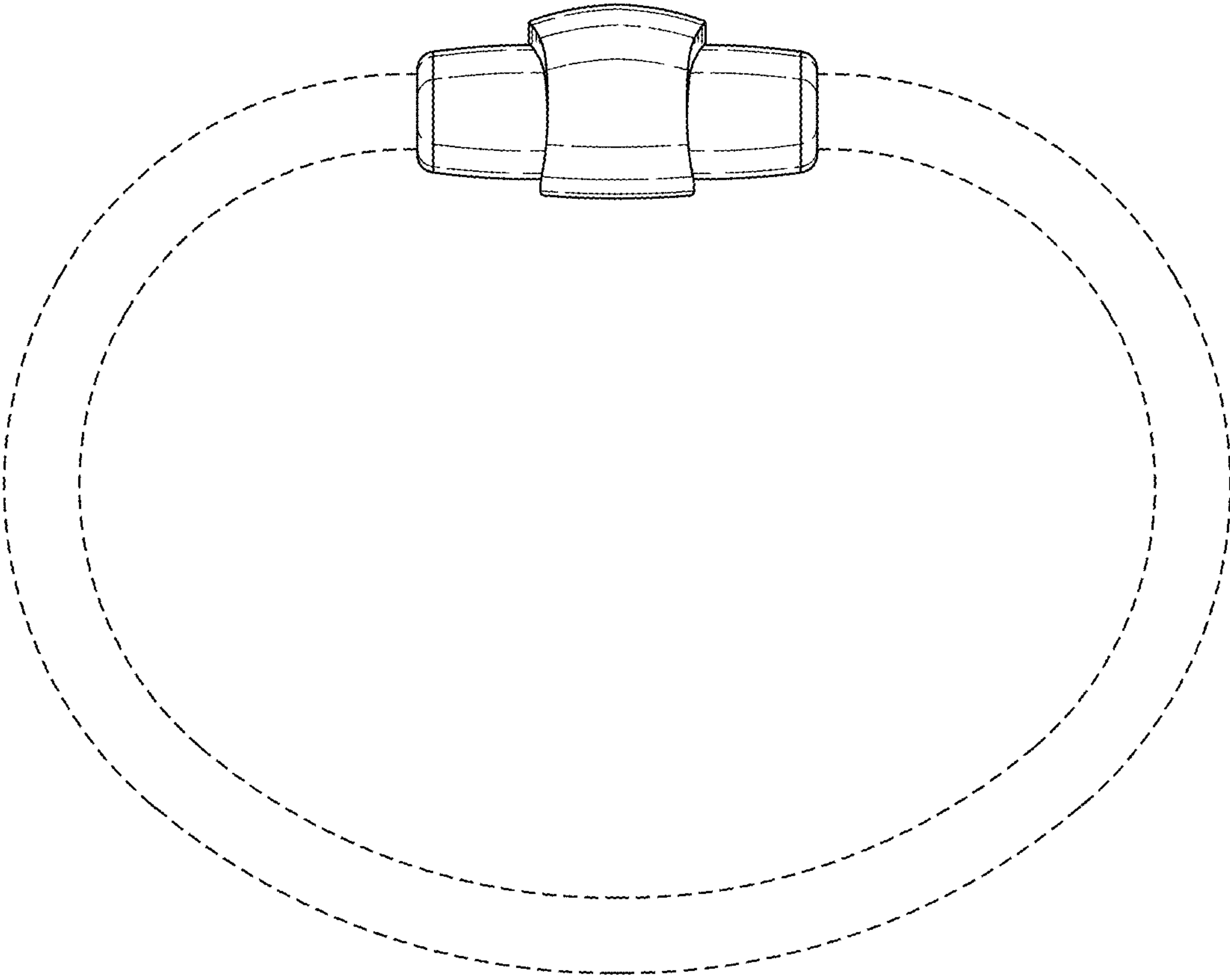


FIG. 2

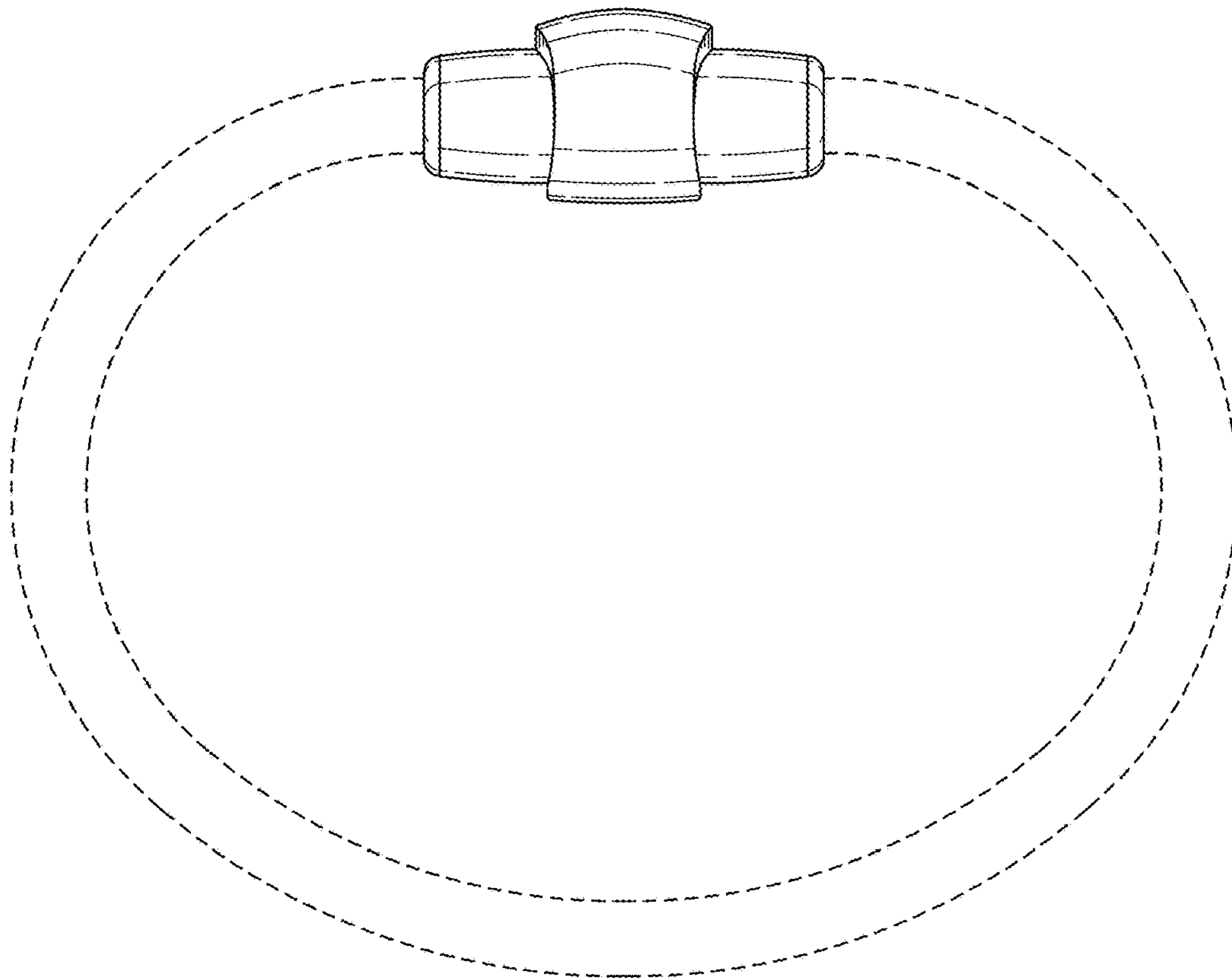


FIG. 3

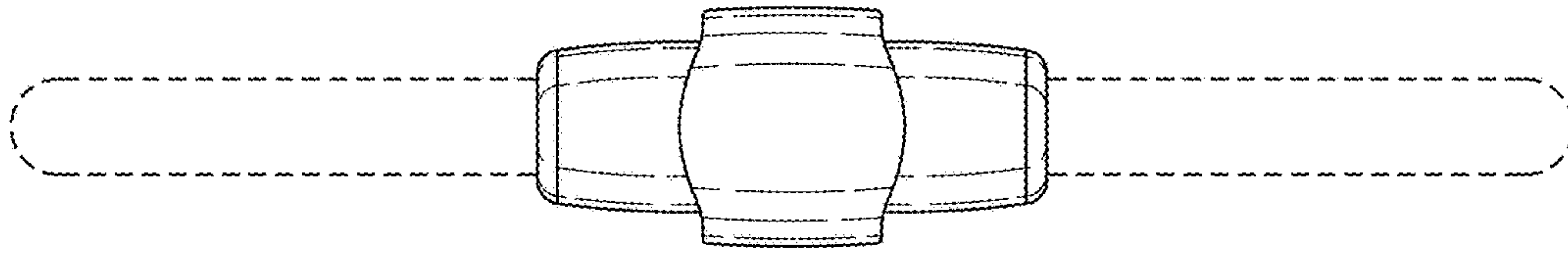


FIG. 4

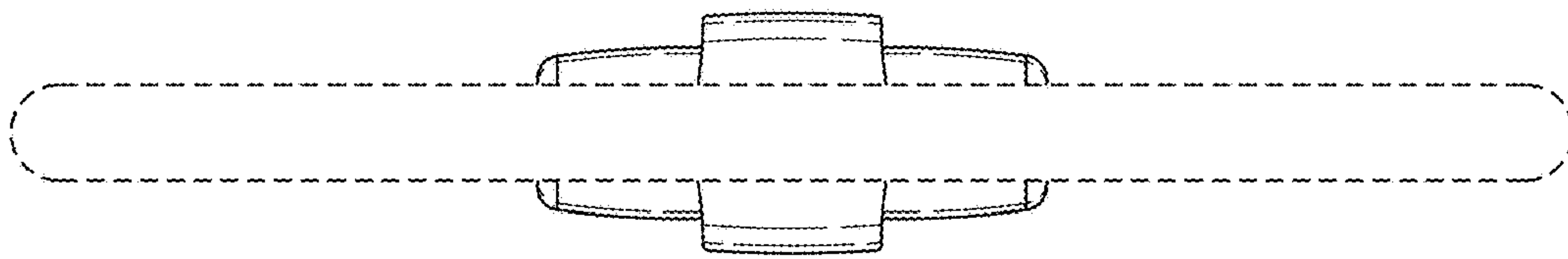


FIG. 5

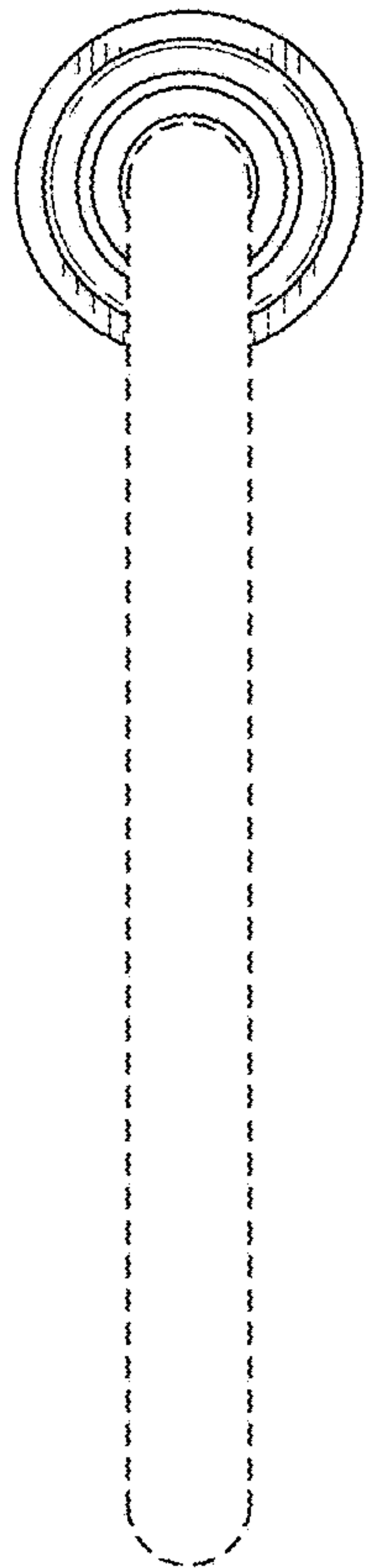


FIG. 6

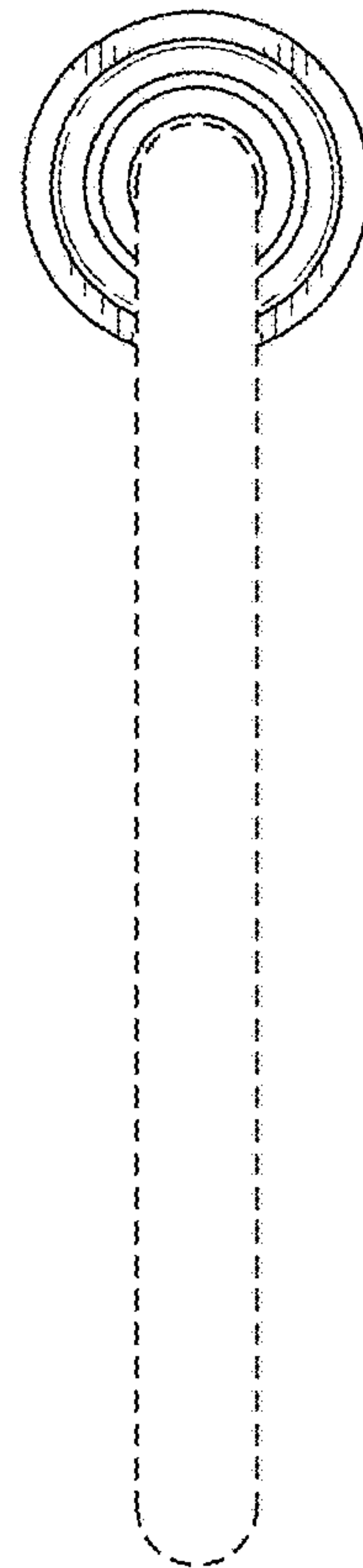


FIG. 7

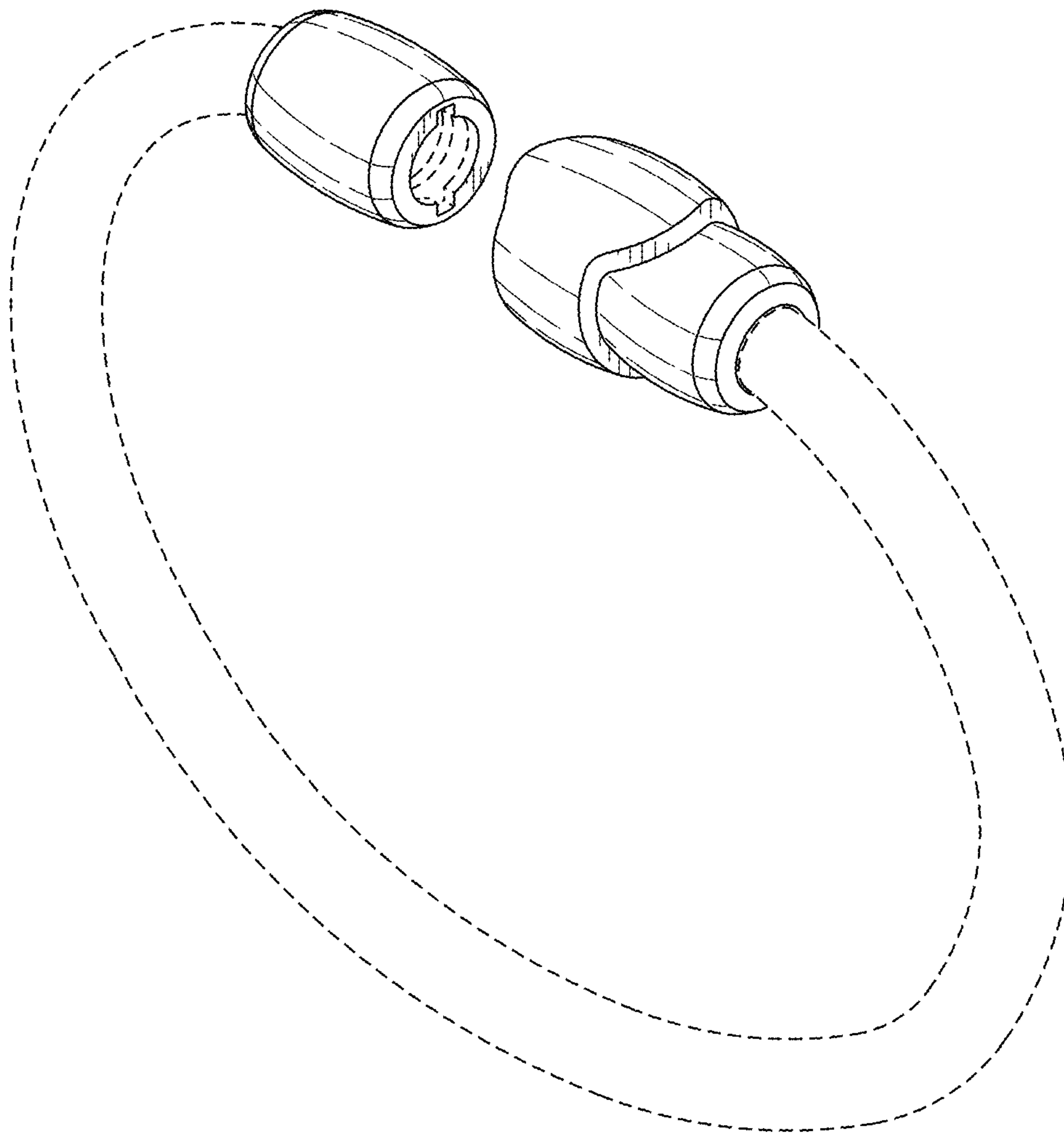


FIG. 8

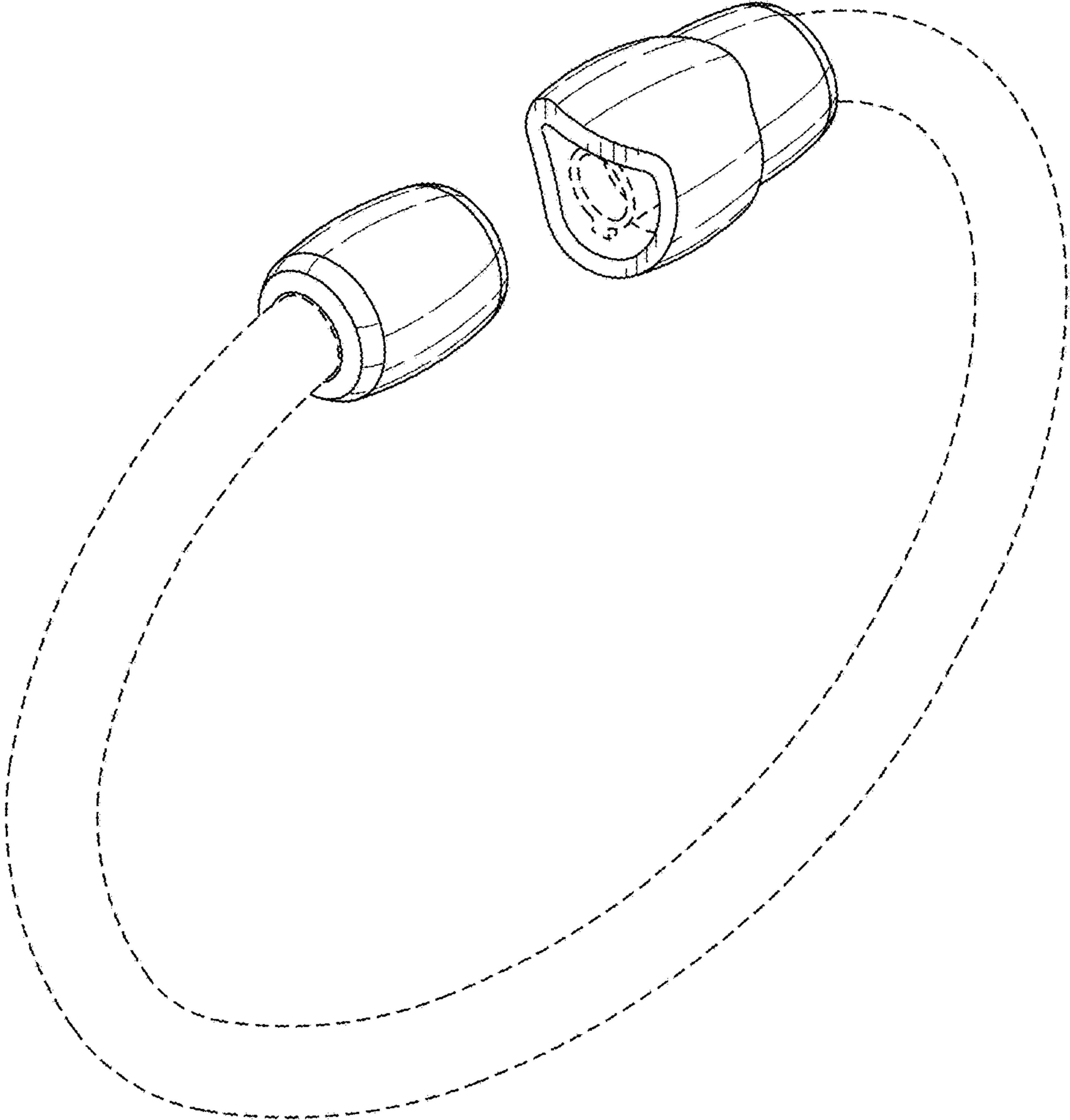


FIG. 9