



US00D849582S

(12) **United States Design Patent** (10) **Patent No.:** **US D849,582 S**
Frazzini et al. (45) **Date of Patent:** **** May 28, 2019**

(54) **BRACELET**

(56) **References Cited**

(71) Applicant: **Still Dreaming LLC**, Wexford, PA (US)

U.S. PATENT DOCUMENTS

(72) Inventors: **Robert Frazzini**, Wexford, PA (US);
Kayla Perkins, Sewickley, PA (US)

D10,026 S	5/1877	Sternheimer
195,004 A	9/1877	Hackenberg
D10,415 S	1/1878	Graef
D10,642 S	4/1878	Hedstrom
D148,114 S	12/1947	Pruett et al.
D151,362 S	10/1948	Katz
D151,363 S	10/1948	Katz
D546,727 S	7/2007	Hardy
D546,728 S	7/2007	Hardy
D557,170 S	12/2007	Hardy
D562,173 S	2/2008	Hardy
D624,192 S	9/2010	Zeidel et al.
D652,339 S	1/2012	Zander
D680,021 S	4/2013	Parvex
D709,788 S	7/2014	Samanta
D730,230 S	5/2015	Zeuner
D731,347 S	6/2015	Zeuner

(73) Assignee: **Still Dreaming LLC**, Wexford, PA (US)

(**) Term: **15 Years**

(21) Appl. No.: **29/640,551**

(22) Filed: **Mar. 15, 2018**

(Continued)

Related U.S. Application Data

(62) Division of application No. 29/594,903, filed on Feb. 23, 2017, which is a division of application No. 29/537,480, filed on Aug. 26, 2015, now Pat. No. Des. 784,839.

Primary Examiner — Cynthia Ramirez

Assistant Examiner — L. Martinez

(74) *Attorney, Agent, or Firm* — The Webb Law Firm

(51) **LOC (11) Cl.** **11-01**

(52) **U.S. Cl.**
USPC **D11/3**

(57) **CLAIM**

The ornamental design for a bracelet, as shown and described.

(58) **Field of Classification Search**

USPC D11/1–29, 34, 36–43, 47, 76–79, 86;
D14/344; D28/41

CPC A44C 5/00; A44C 5/0007; A44C 5/0023;
A44C 5/003; A44C 5/0038; A44C 5/0046; A44C 5/0053; A44C 5/0061;
A44C 5/0069; A44C 5/0076; A44C 5/0084; A44C 5/0092; A44C 5/02; A44C 5/022; A44C 5/025; A44C 5/027; A44C 5/04; A44C 5/08; A44C 5/12; A44C 1/00; A44C 9/00; A44C 9/0038; A44C 9/0046; A44C 9/0053; A44C 9/0061; A44C 9/0069; A44C 9/02

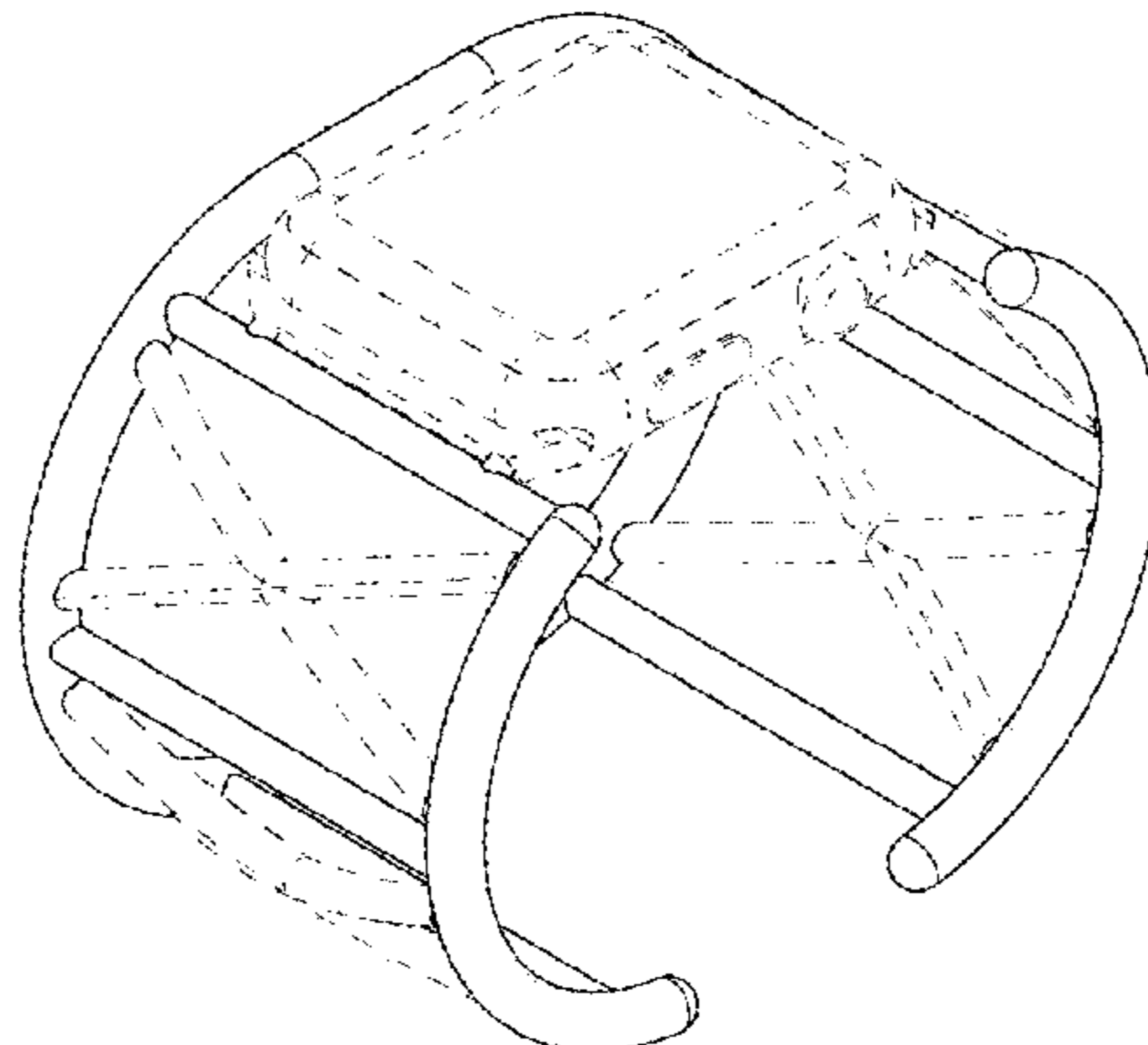
DESCRIPTION

FIG. 1 is a top plan view of a bracelet showing our new design;
FIG. 2 is a bottom plan view thereof;
FIG. 3 is a side view thereof;
FIG. 4 is an opposite side view thereof;
FIG. 5 is another side view thereof; and,
FIG. 6 is a perspective view thereof.

The broken lines shown in FIGS. 1-6 illustrate portions of the bracelet that form no part of the claimed design. The

See application file for complete search history.

(Continued)



other broken lines showing the device in FIGS. 1-6 represent environmental subject matter only and form no part of the claimed design.

1 Claim, 5 Drawing Sheets

(56)

References Cited

U.S. PATENT DOCUMENTS

D771,515 S	11/2016	Barden	
D784,839 S	4/2017	Frazzini et al.	
D814,957 S *	4/2018	Frazzini	D11/3
D817,548 S *	5/2018	Voeva-Kolev	D28/37
10,064,459 B1 *	9/2018	Cantas	A44C 5/0092
2016/0353846 A1 *	12/2016	Zanghi	A44C 5/0053

* cited by examiner

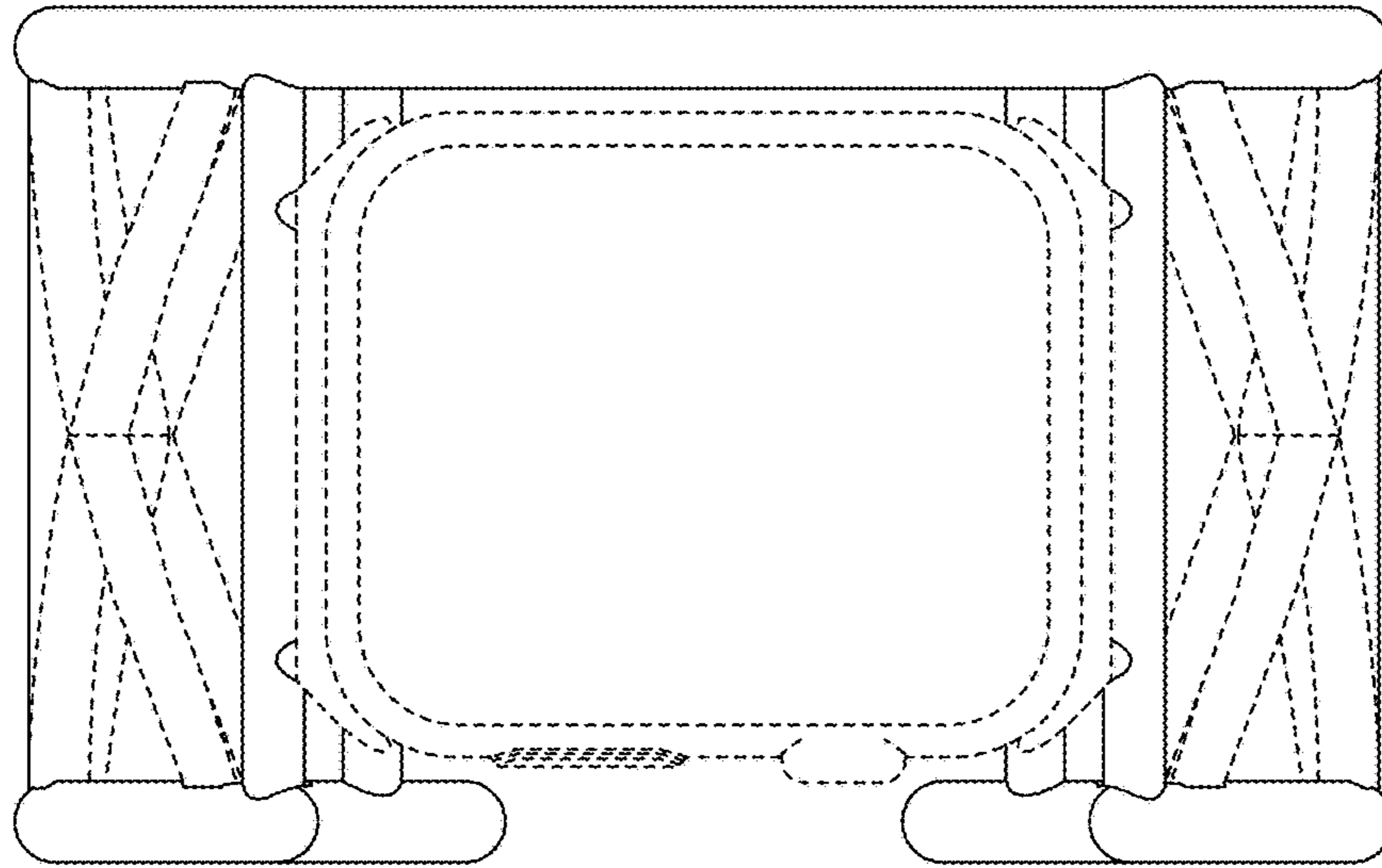


FIG. 1

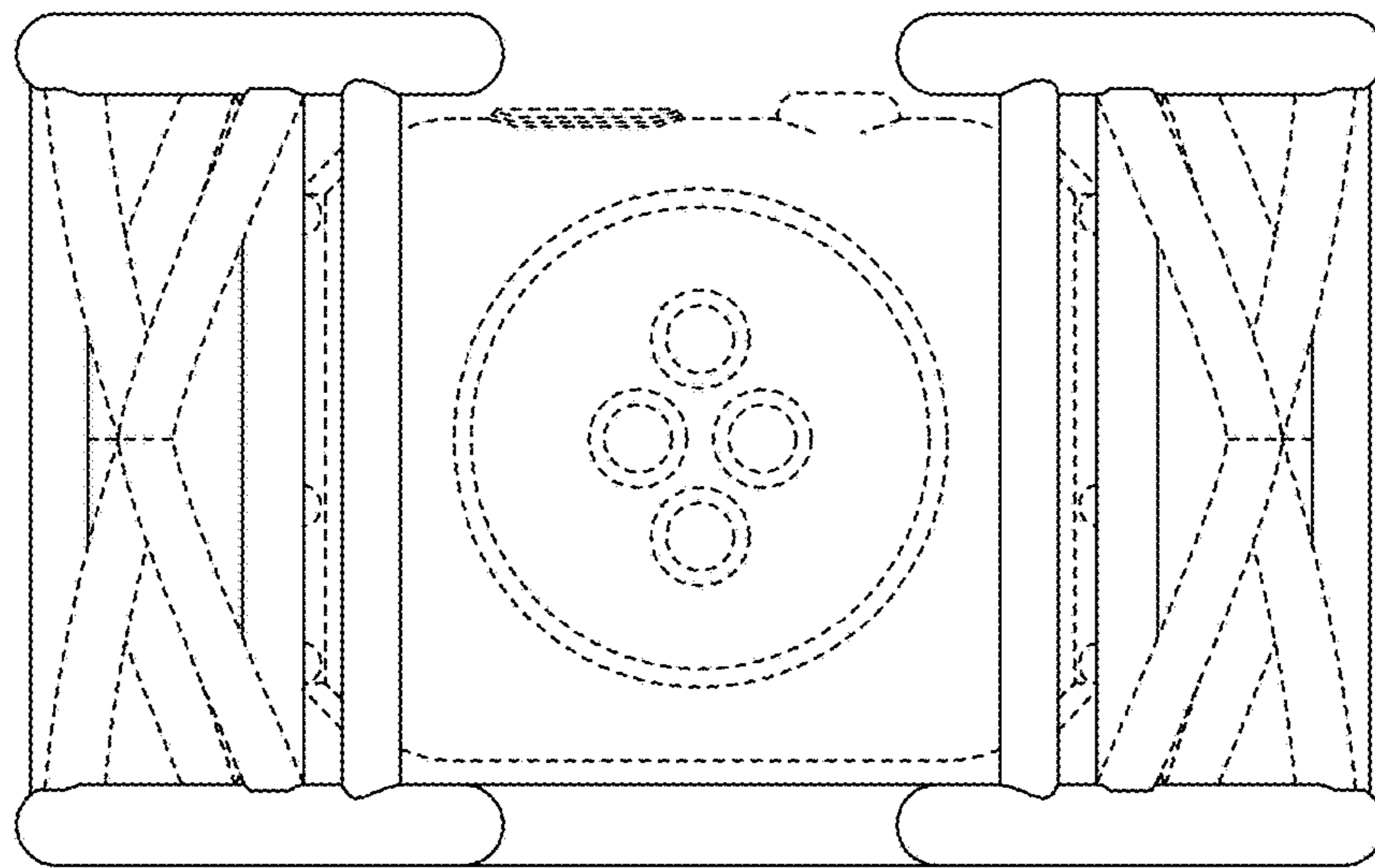


FIG. 2

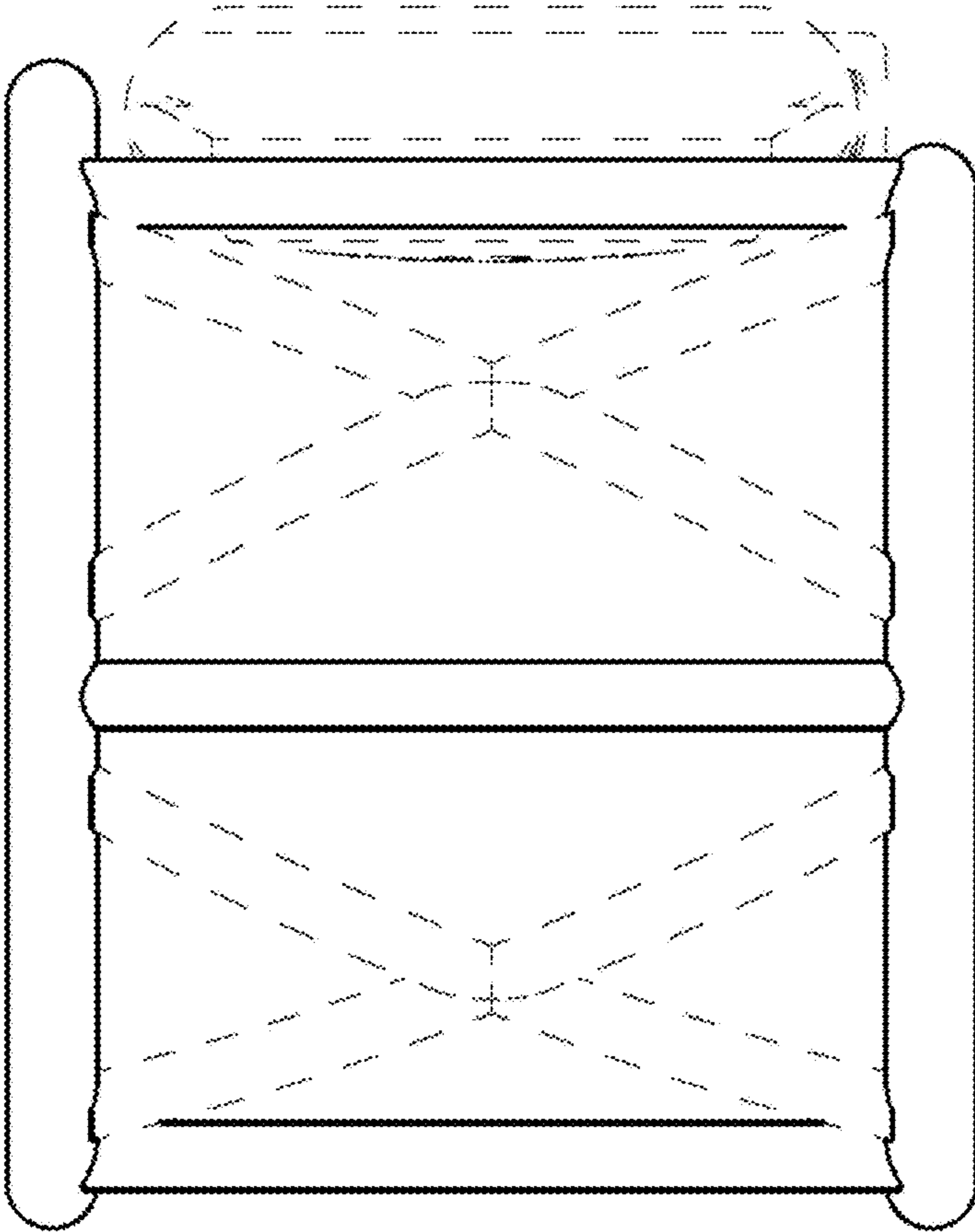


FIG. 3

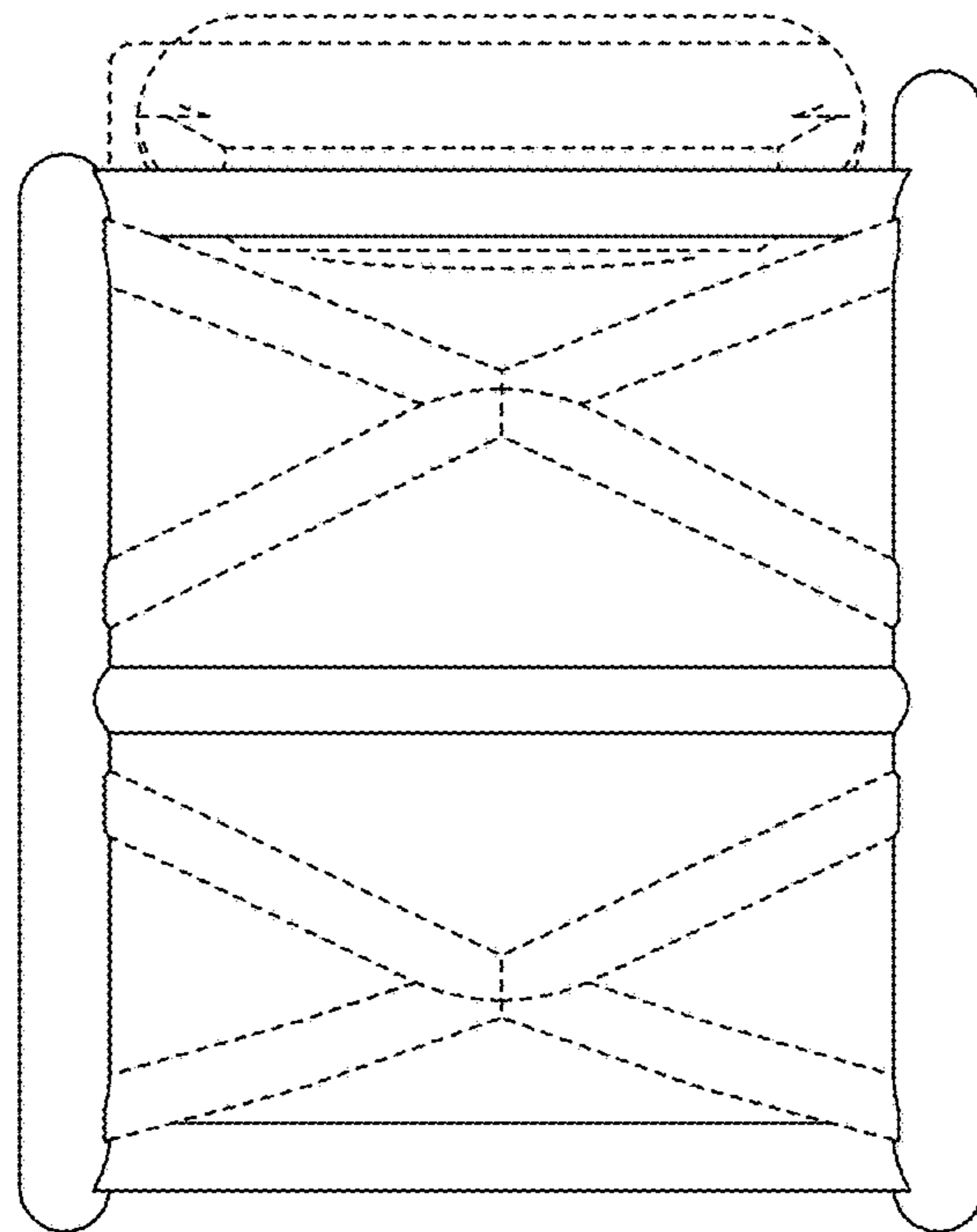


FIG. 4

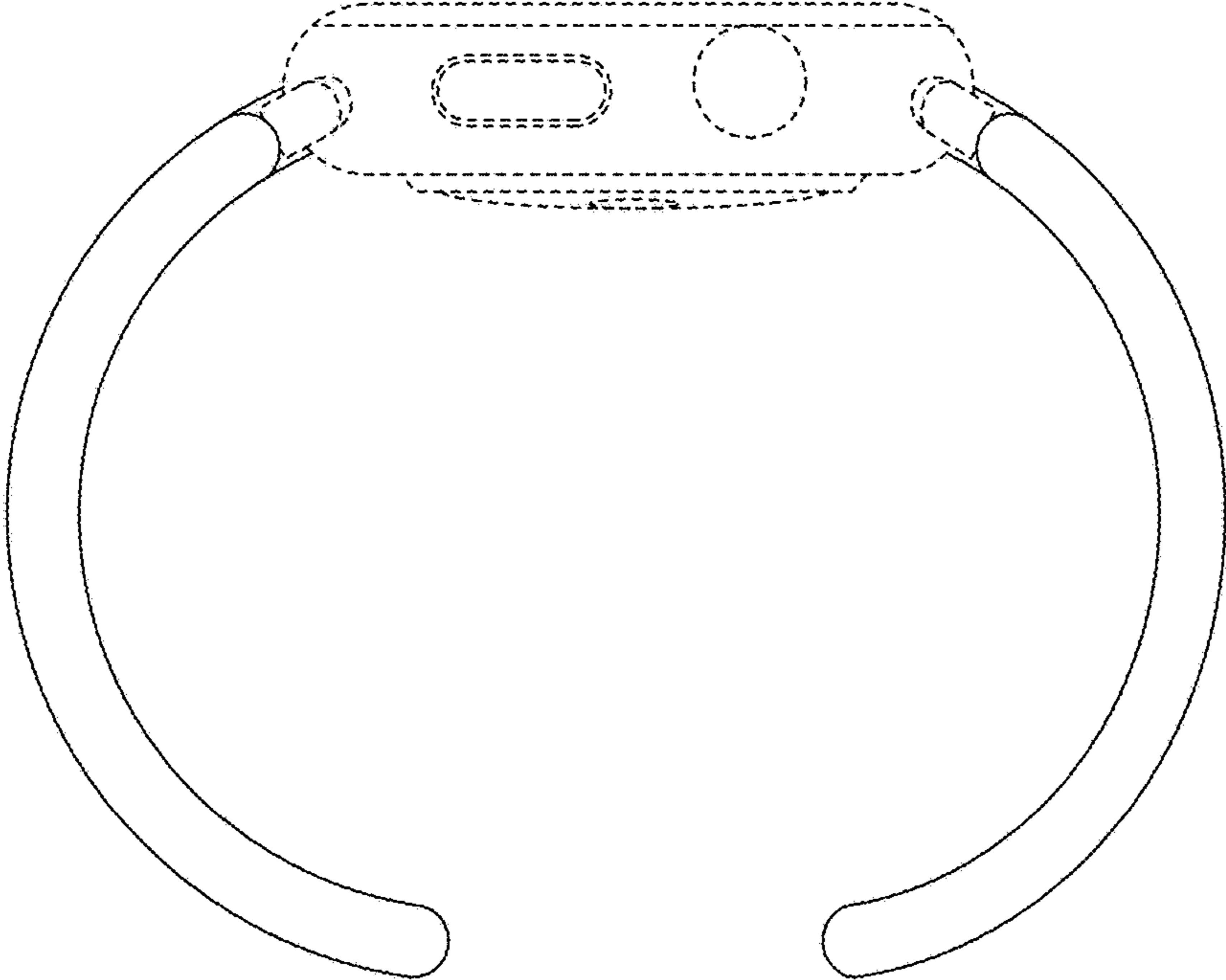


FIG. 5

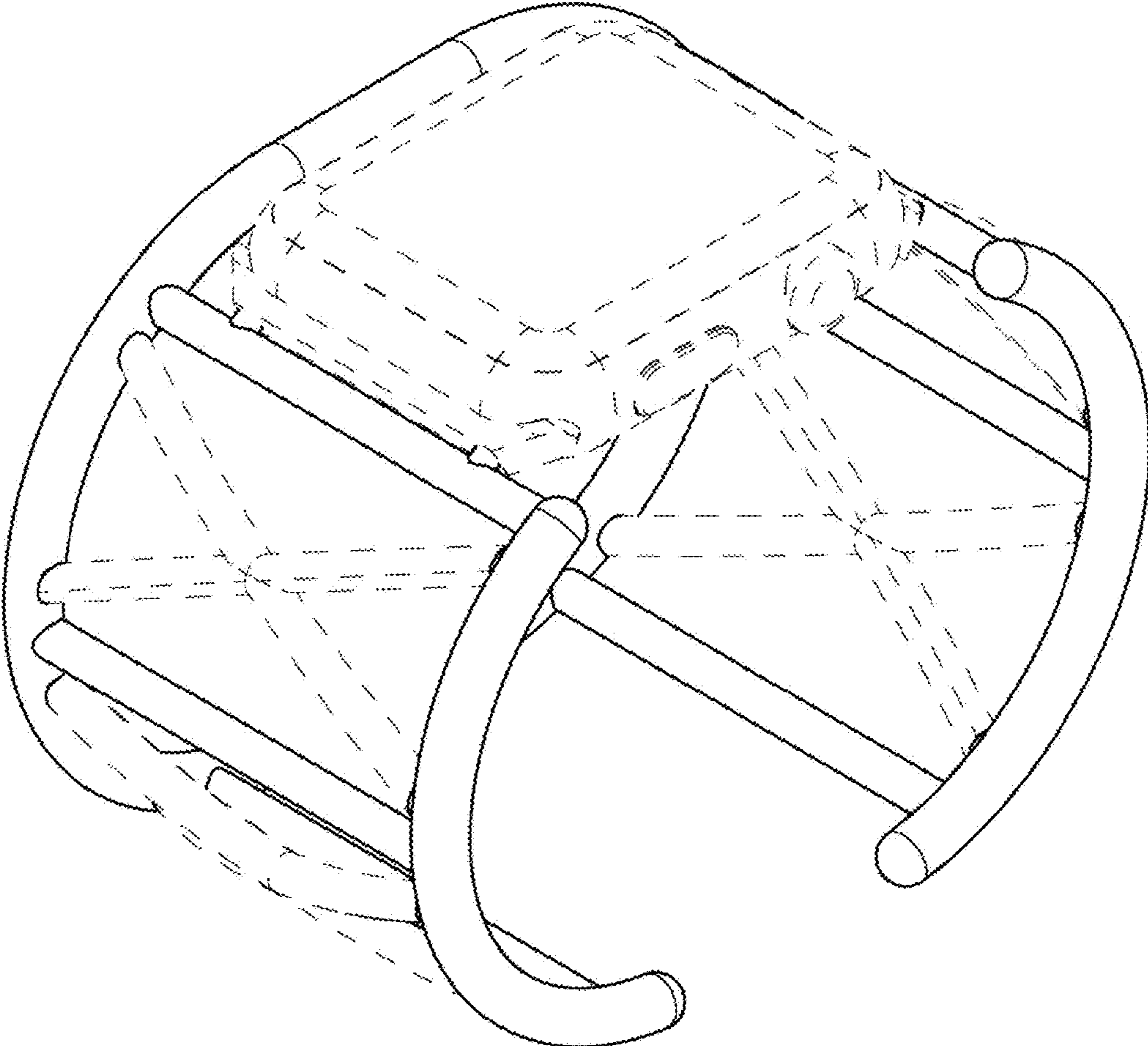


FIG. 6