



US00D849580S

(12) **United States Design Patent**
Arikawa et al.

(10) **Patent No.:** **US D849,580 S**

(45) **Date of Patent:** **** May 28, 2019**

(54) **FIRE DETECTOR**

(71) Applicant: **HOCHIKI CORPORATION**, Tokyo
(JP)

(72) Inventors: **Masashi Arikawa**, Tokyo (JP); **Hayato Tsurumi**, Tokyo (JP)

(**) Term: **15 Years**

(21) Appl. No.: **35/504,130**

(22) Filed: **Jun. 15, 2017**

(80) **Hague Agreement Data**

Int. Filing Date: **Jun. 15, 2017**

Int. Reg. No.: **DM/096912**

Int. Reg. Date: **Jun. 15, 2017**

Int. Reg. Pub. Date: **Dec. 15, 2017**

(30) **Foreign Application Priority Data**

Dec. 21, 2016 (JP) 2016-027648

Dec. 21, 2016 (JP) 2016-027652

(51) **LOC (11) Cl.** **10-05**

(52) **U.S. Cl.**
USPC **D10/106.5**

(58) **Field of Classification Search**
USPC D10/106.1, 106.2, 106.5, 109.2, 116.1,
D10/120

See application file for complete search history.

(56) **References Cited**

U.S. PATENT DOCUMENTS

D316,828 S * 5/1991 Amemiya D10/106.5

D450,008 S * 11/2001 Sakurai D10/106.5

D475,312 S * 6/2003 Runciman D10/106.5
D475,943 S * 6/2003 Runciman D10/106.5
D476,252 S * 6/2003 Runciman D10/106.5
D651,926 S * 1/2012 Akiyama D10/106.5
D811,919 S * 3/2018 Kalyan D10/106.5
D812,506 S * 3/2018 Kalyan D10/106.5

FOREIGN PATENT DOCUMENTS

JP 0870916 6/1993
JP 1346466 12/2008
JP 1484719 S 11/2016

OTHER PUBLICATIONS

Notification of Refusal issued by the Korean Intellectual Property Office dated Sep. 27, 2018, in connection with International Registration No. DM/097381 (3 pages).

Notification of Refusal issued by the Korean Intellectual Property Office dated Nov. 25, 2018, in connection with International Registration No. DM/096912 (5 pages).

* cited by examiner

Primary Examiner — George D. Kirschbaum

(57) **CLAIM**

The ornamental design for a fire detector, as shown and described.

DESCRIPTION

1.1-1.7 Fire detector

1.1 : Front

1.2 : Top

1.3 : Bottom

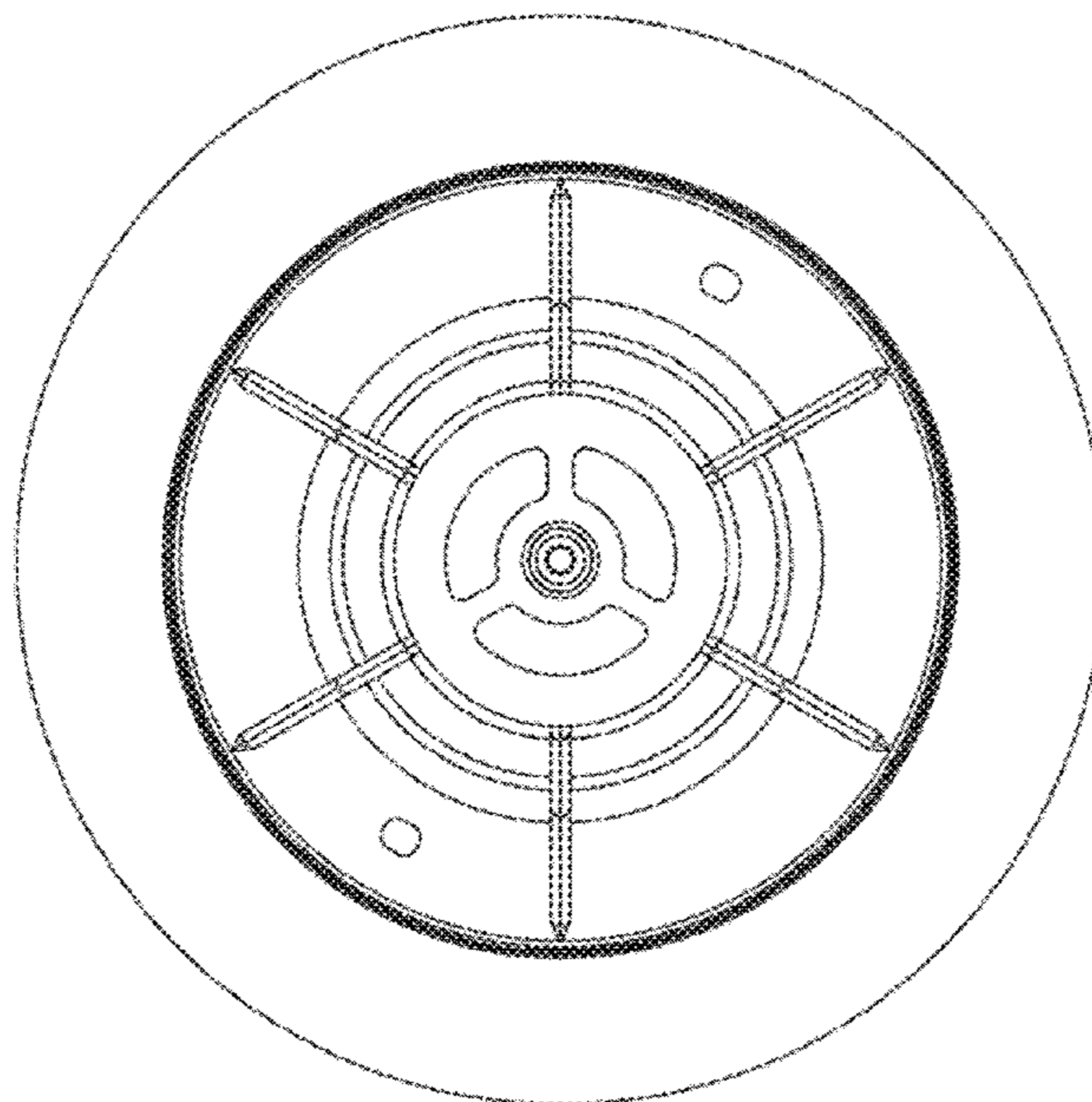
1.4 : Back

1.5 : Right

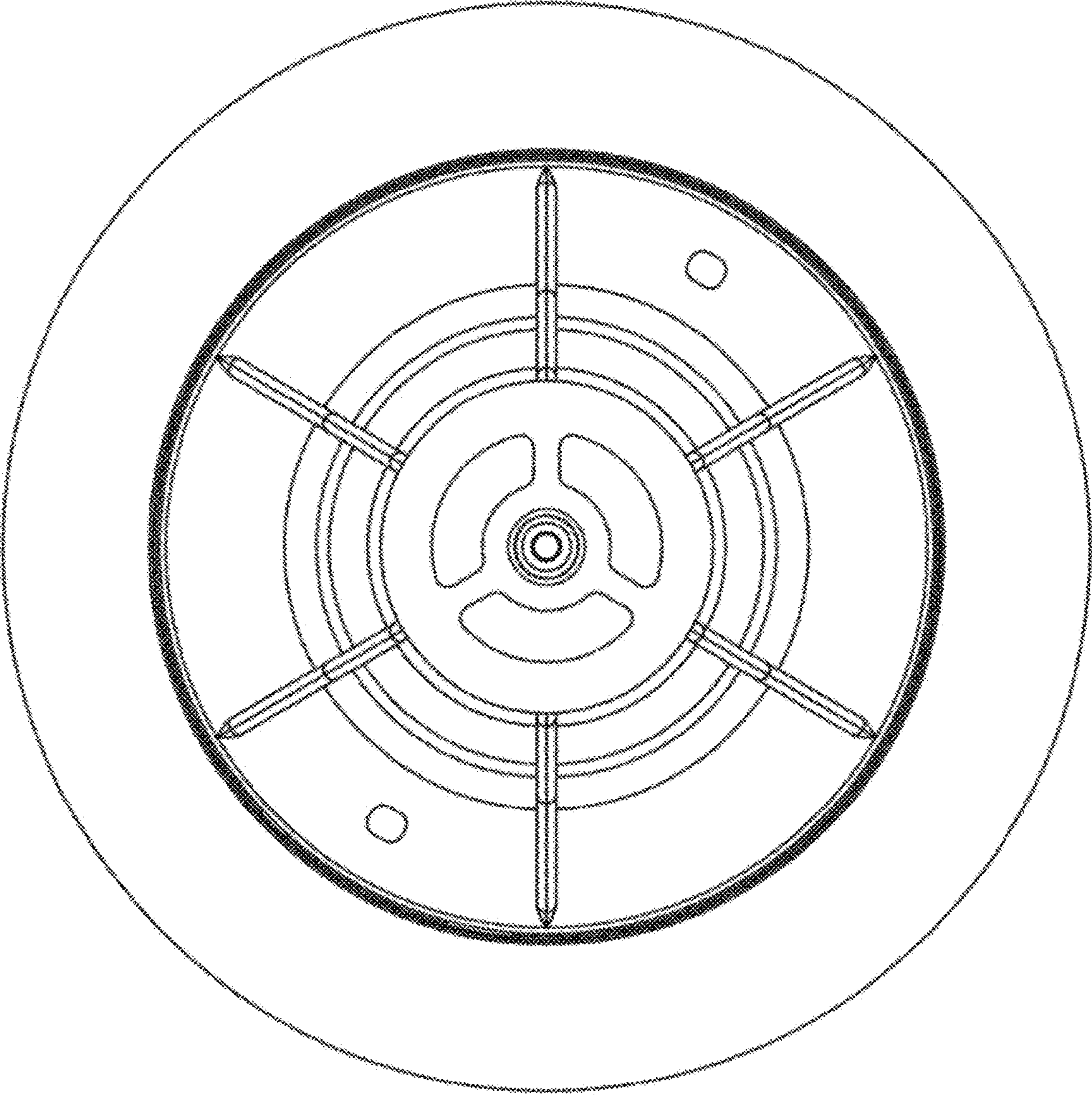
1.6 : Left

1.7 : Perspective

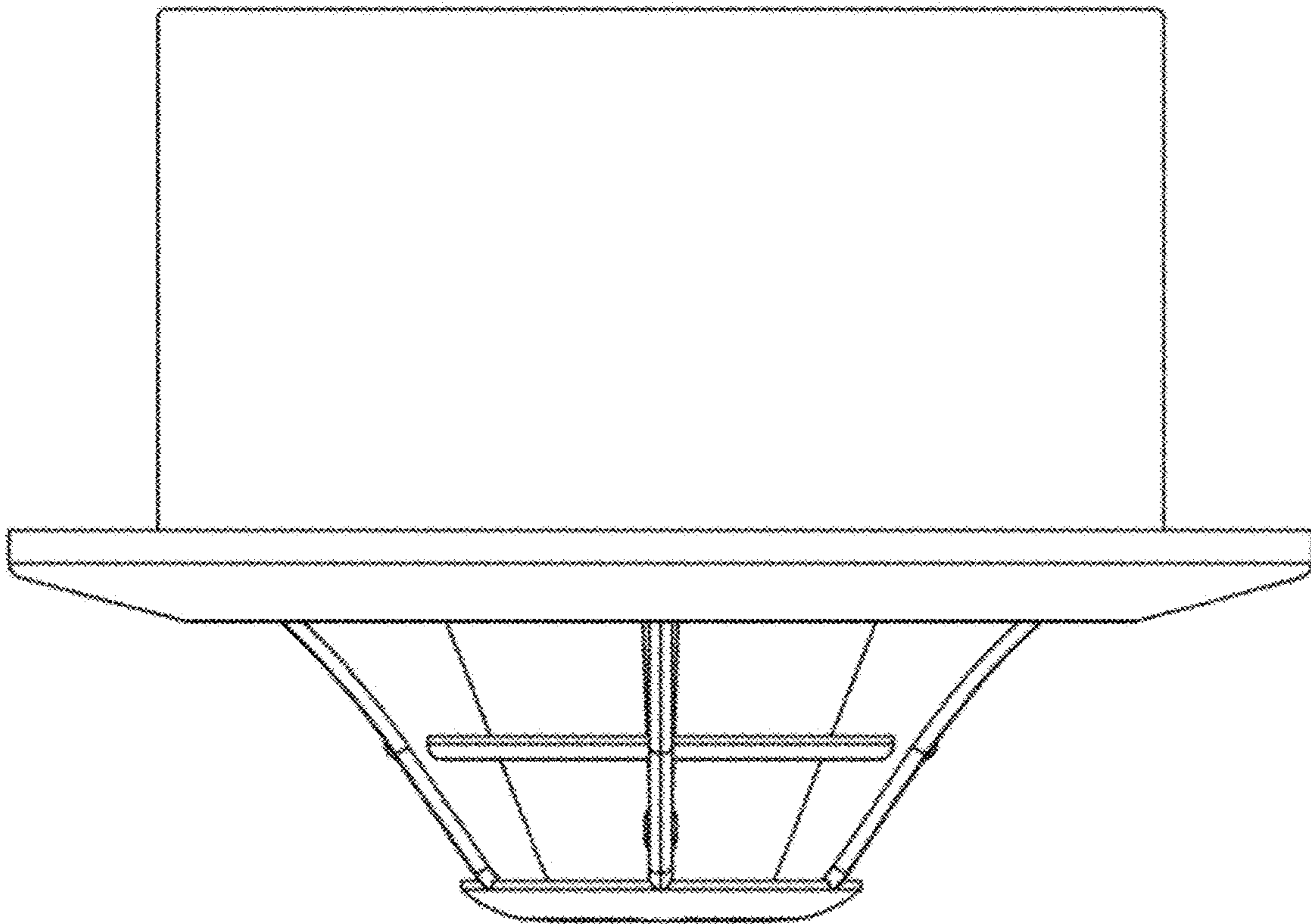
1 Claim, 7 Drawing Sheets



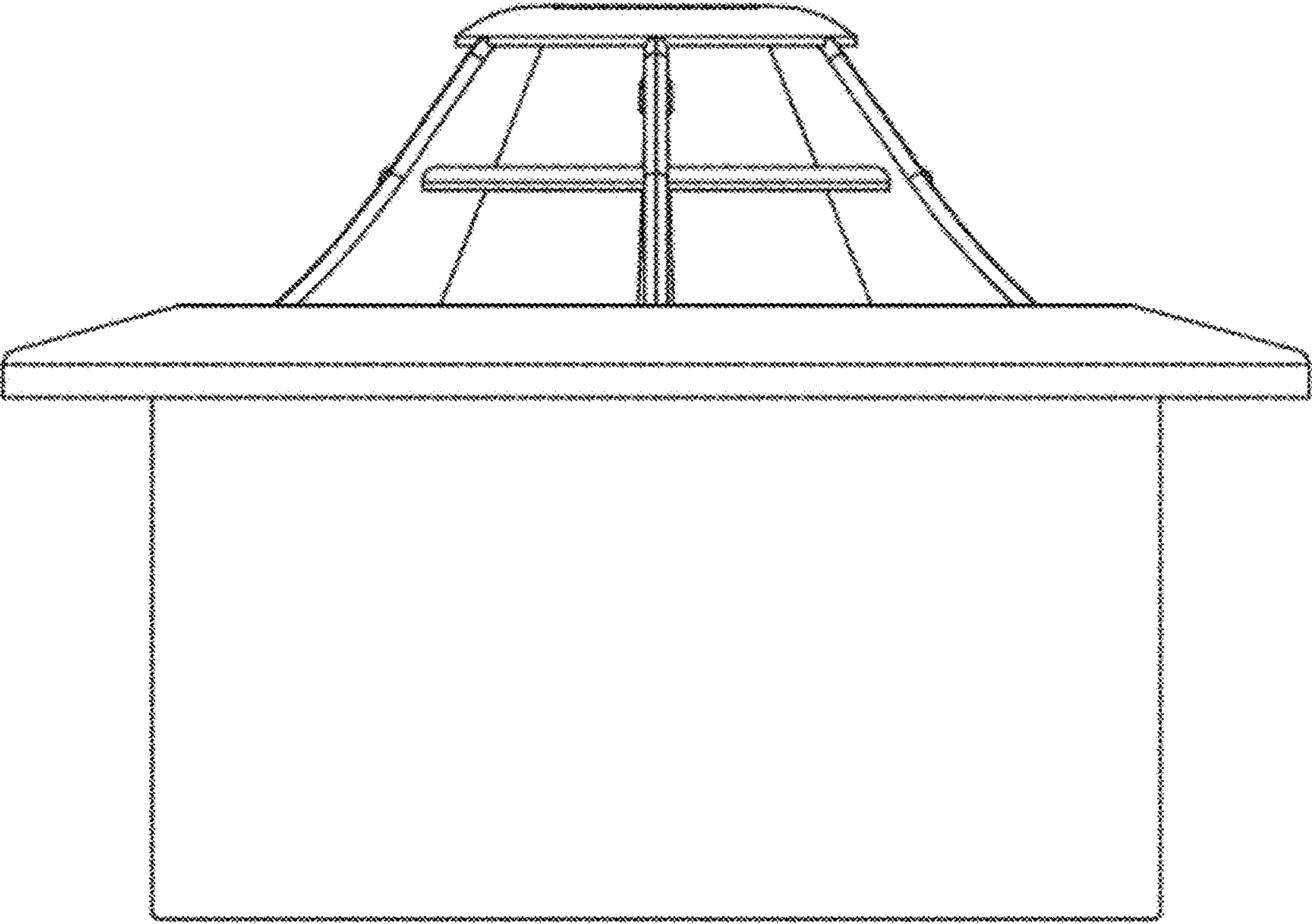
1.1



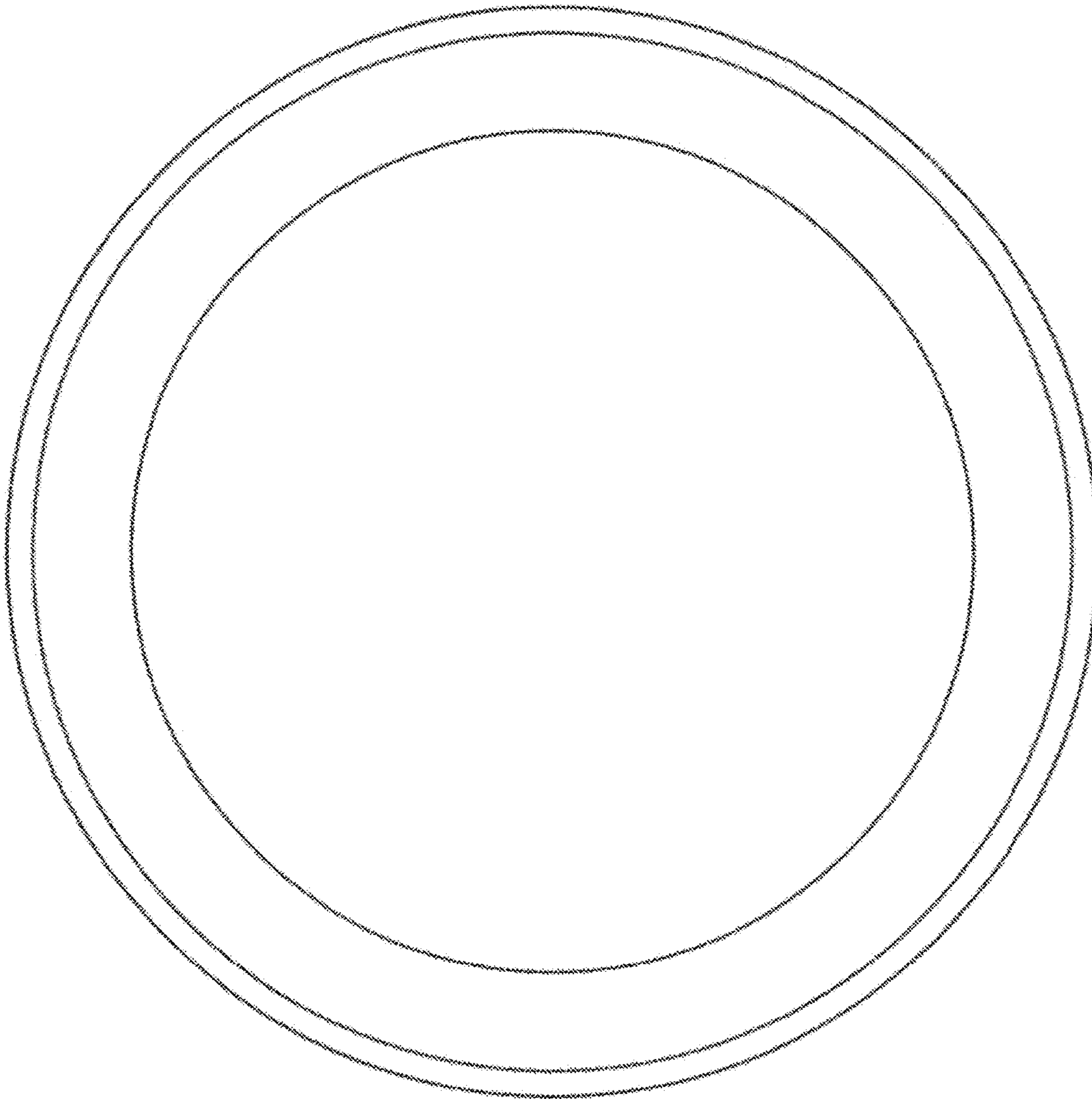
1.2



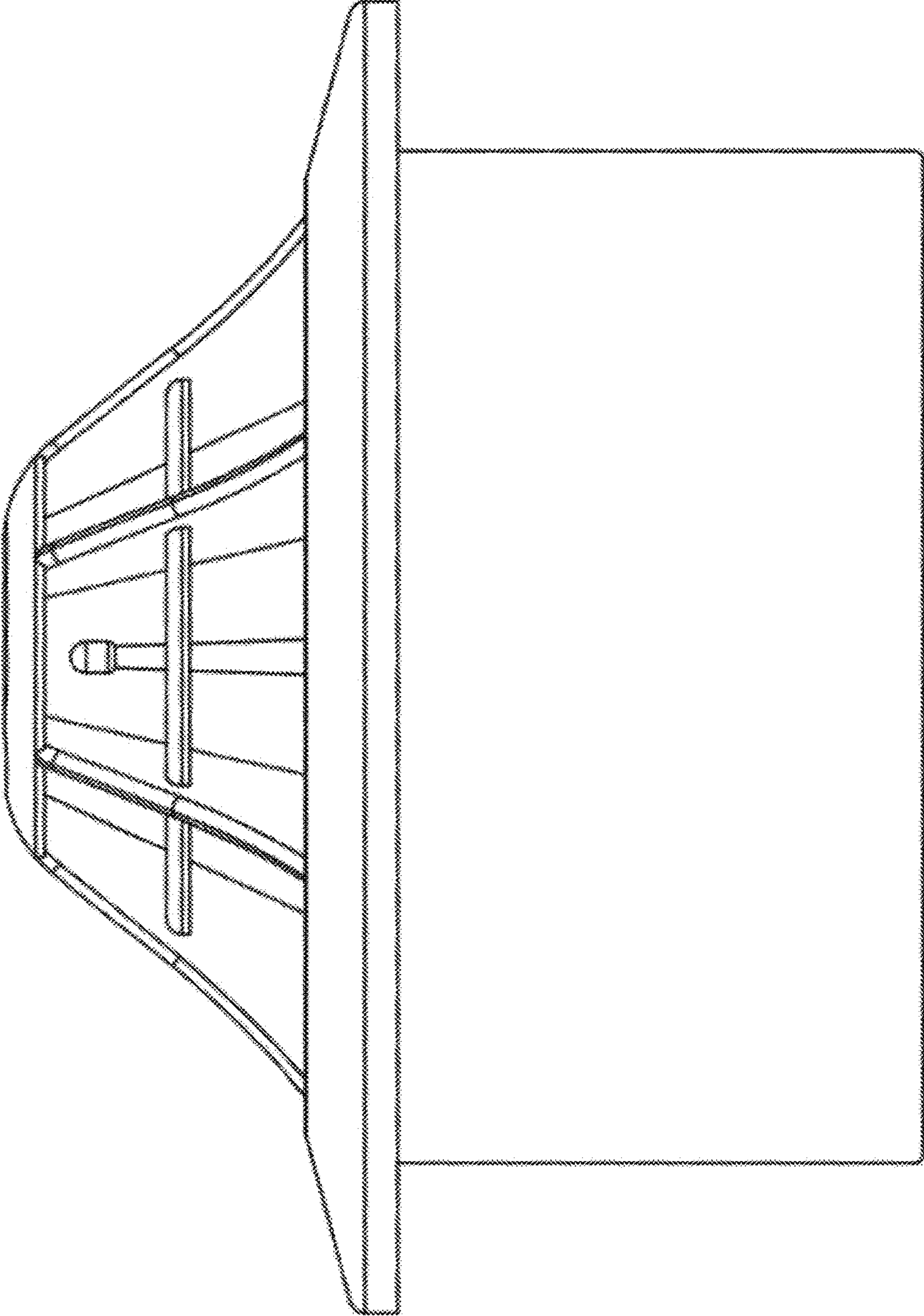
1.3



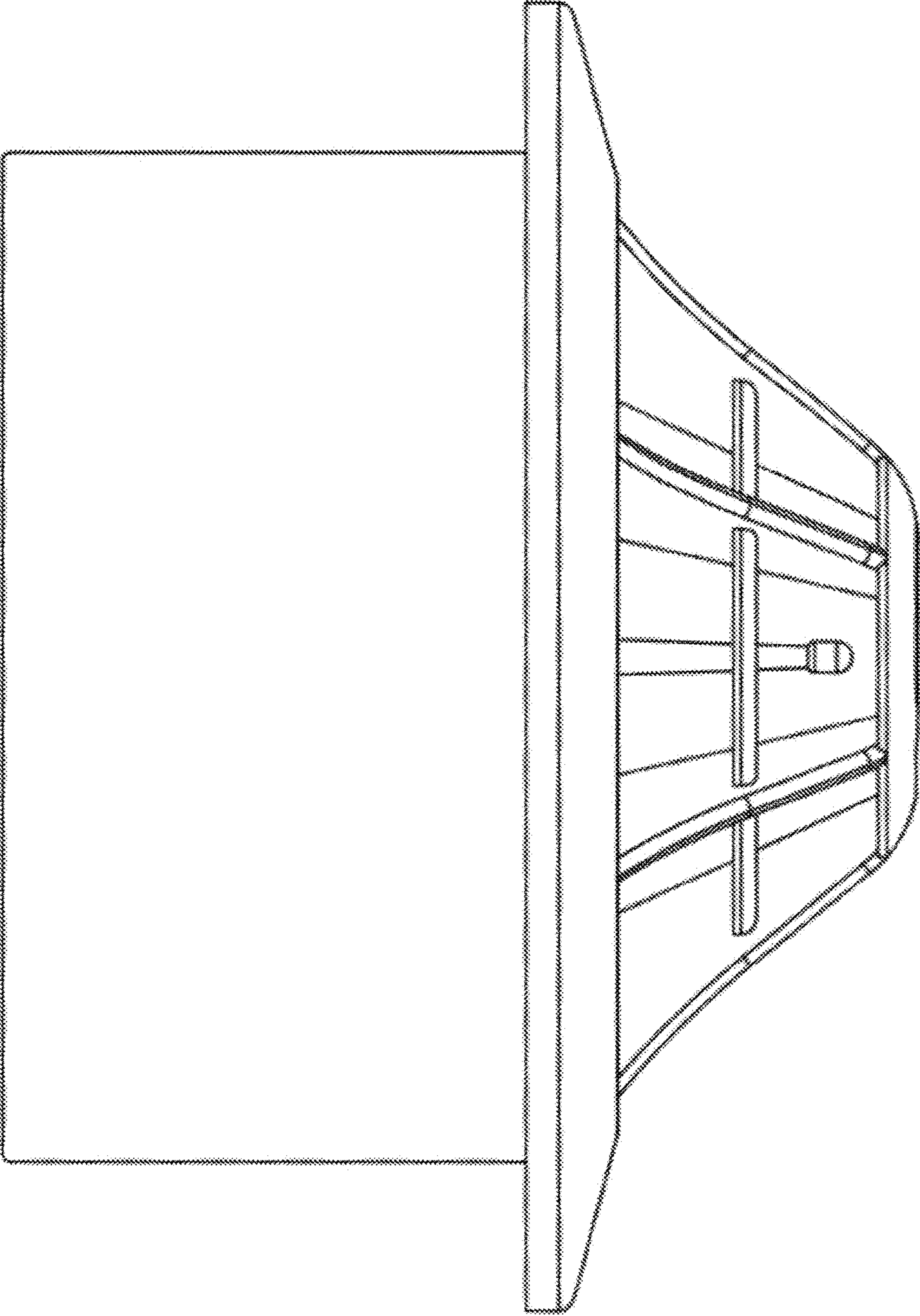
1.4



1.5



1.6



1.7

