



US00D849577S

(12) **United States Design Patent**
Aromin et al.

(10) **Patent No.:** **US D849,577 S**

(45) **Date of Patent:** **** May 28, 2019**

(54) **GROUND FAULT CIRCUIT INTERRUPTER**

83/04; H01H 71/04; H02H 3/33; H02H 3/331; H02H 3/335; H02H 3/00; H02H 9/08

(71) Applicants: **Victor V Aromin**, West Warwick, RI (US); **Daniel R Paquette**, Woonsocket, RI (US); **Louis Jay Shatkin**, Warwick, RI (US)

See application file for complete search history.

(72) Inventors: **Victor V Aromin**, West Warwick, RI (US); **Daniel R Paquette**, Woonsocket, RI (US); **Louis Jay Shatkin**, Warwick, RI (US)

(56) **References Cited**

U.S. PATENT DOCUMENTS

D414,747 S	*	10/1999	Aromin	D13/160
D451,481 S	*	12/2001	MacKay	D13/160
D635,937 S	*	4/2011	Aromin	D13/138.1
D742,831 S	*	11/2015	Yu	D13/139.6

(73) Assignee: **Tower Manufacturing Company**, Providence, RI (US)

* cited by examiner

(**) Term: **15 Years**

Primary Examiner — Antoine Duval Davis

(21) Appl. No.: **29/672,827**

(57) **CLAIM**

The ornamental design for a ground fault circuit interrupter, substantially as shown and described.

(22) Filed: **Dec. 10, 2018**

DESCRIPTION

Related U.S. Application Data

(63) Continuation-in-part of application No. 29/548,253, filed on Dec. 11, 2015, now Pat. No. Des. 796,351.

(51) **LOC (11) Cl.** **10-04**

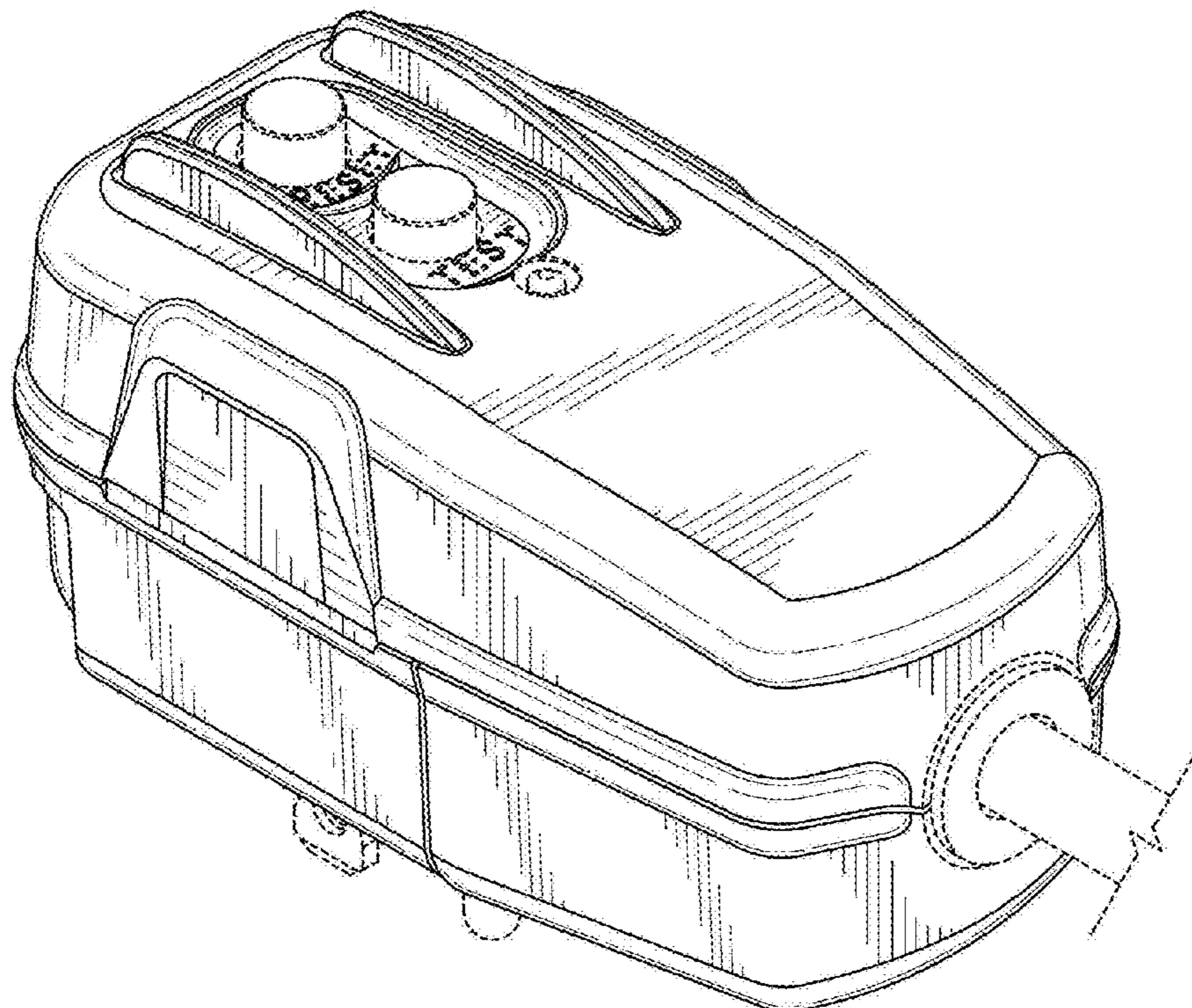
(52) **U.S. Cl.**
USPC **D10/78**; D13/139.6; D13/160

(58) **Field of Classification Search**
USPC D10/78; D13/139.6, 160
CPC H01R 11/11; H01R 13/02–13/35; H01R 13/6683; H01R 13/6691; H01R 13/7135; H01R 13/7137; H01H 47/04; H01H

FIG. 1 is a top perspective view of the ground fault circuit interrupter employing our new design; FIG. 2 is a top view thereof; FIG. 3 is a bottom view thereof; FIG. 4 is a left side view thereof; FIG. 5 is a right side view thereof; FIG. 6 is a front view thereof; and, FIG. 7 is a rear view thereof.

The broken lines in the drawings represent unclaimed portions of the design.

1 Claim, 7 Drawing Sheets



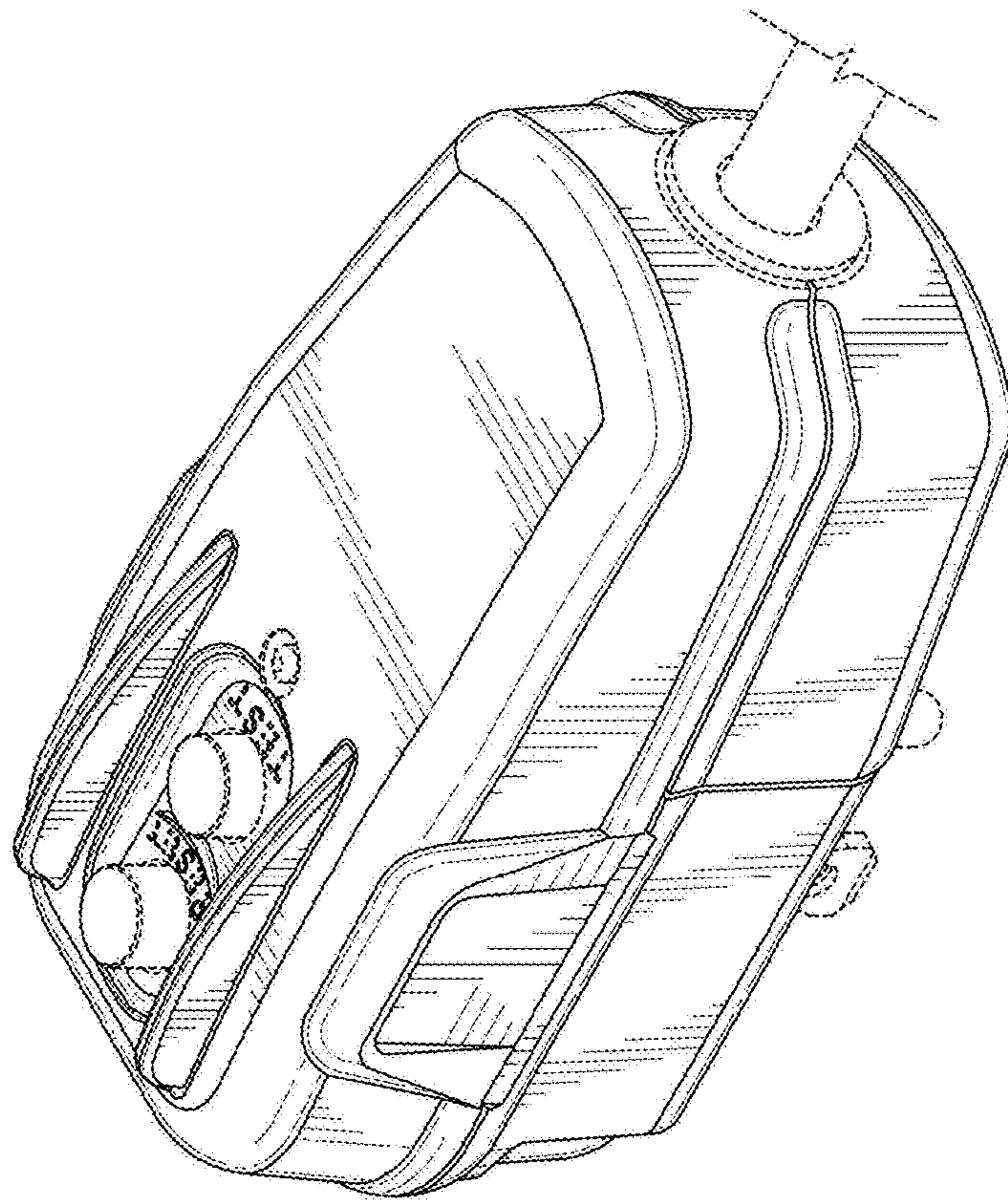


FIG. 1

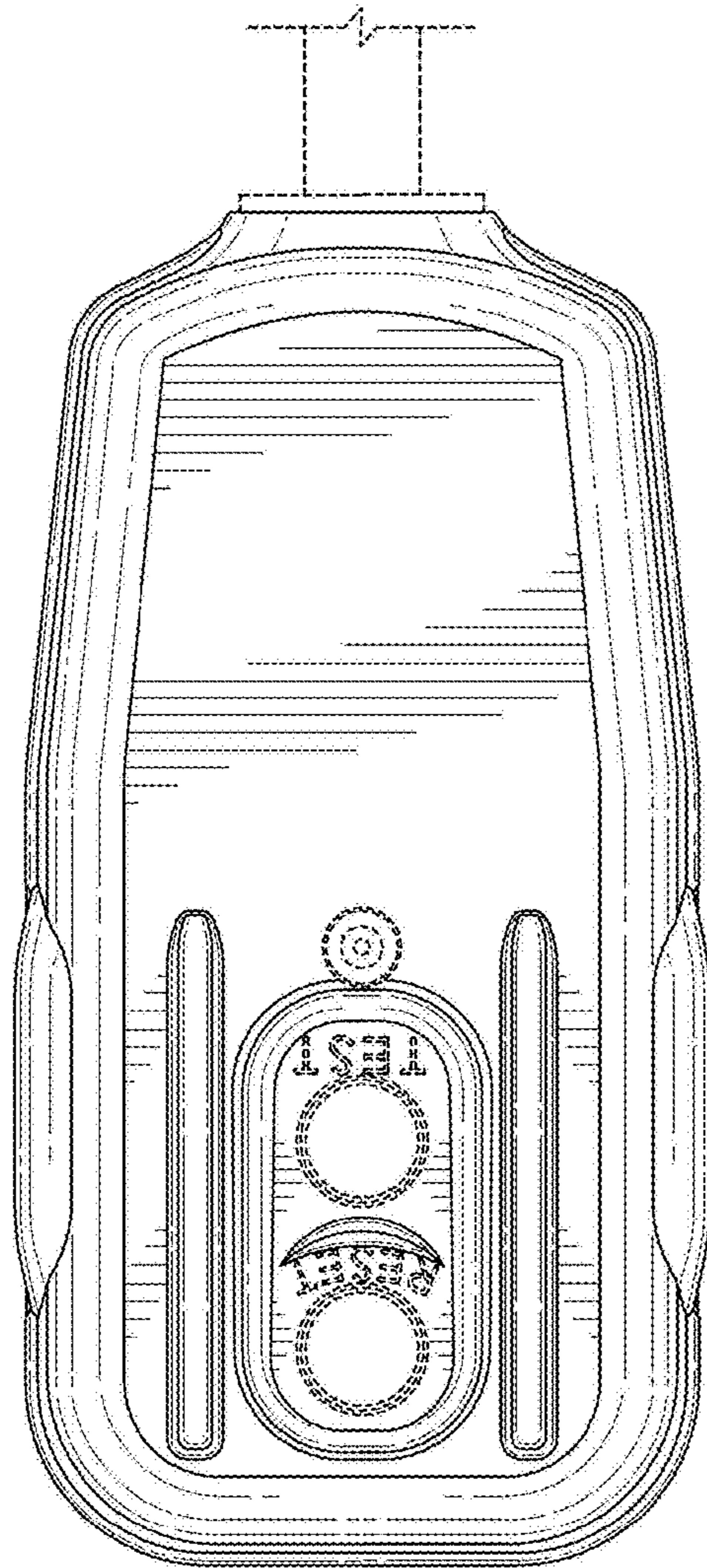


FIG. 2

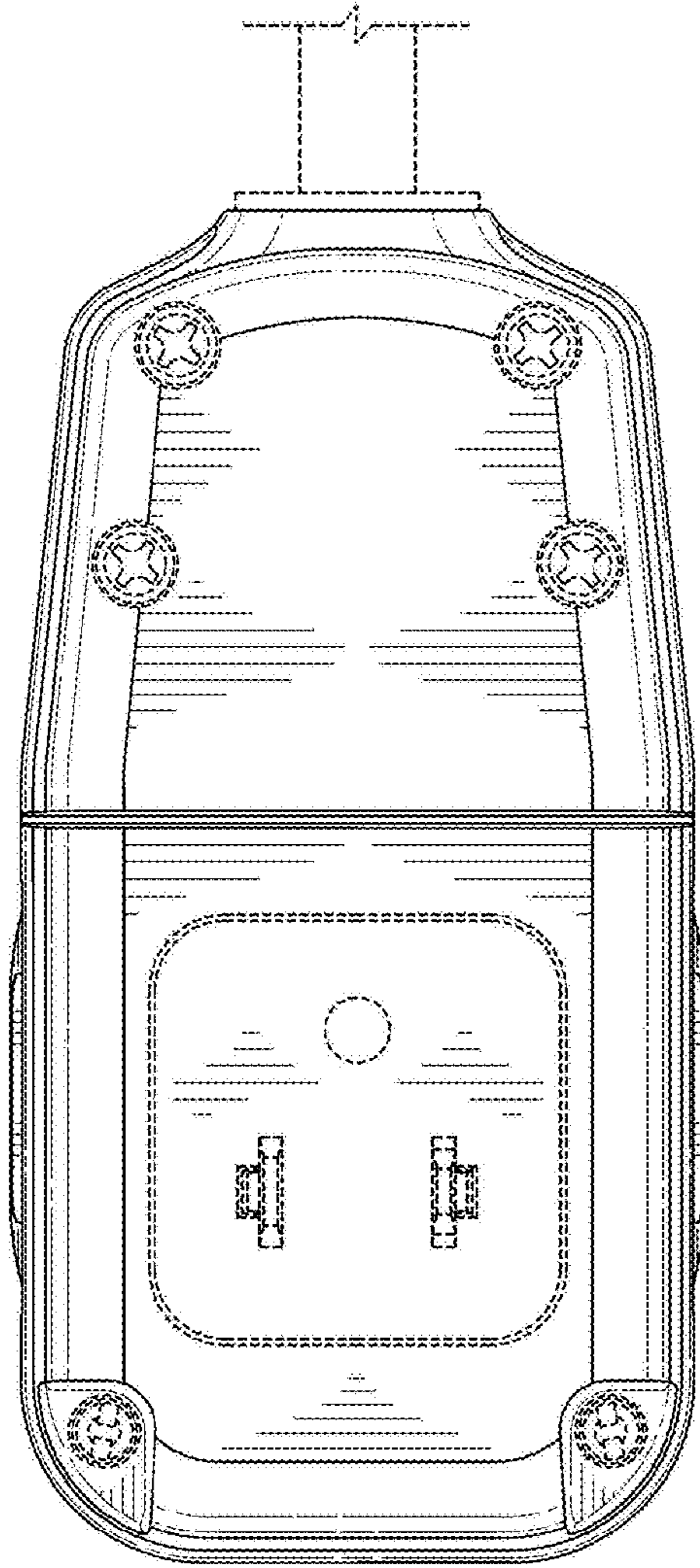


FIG. 3

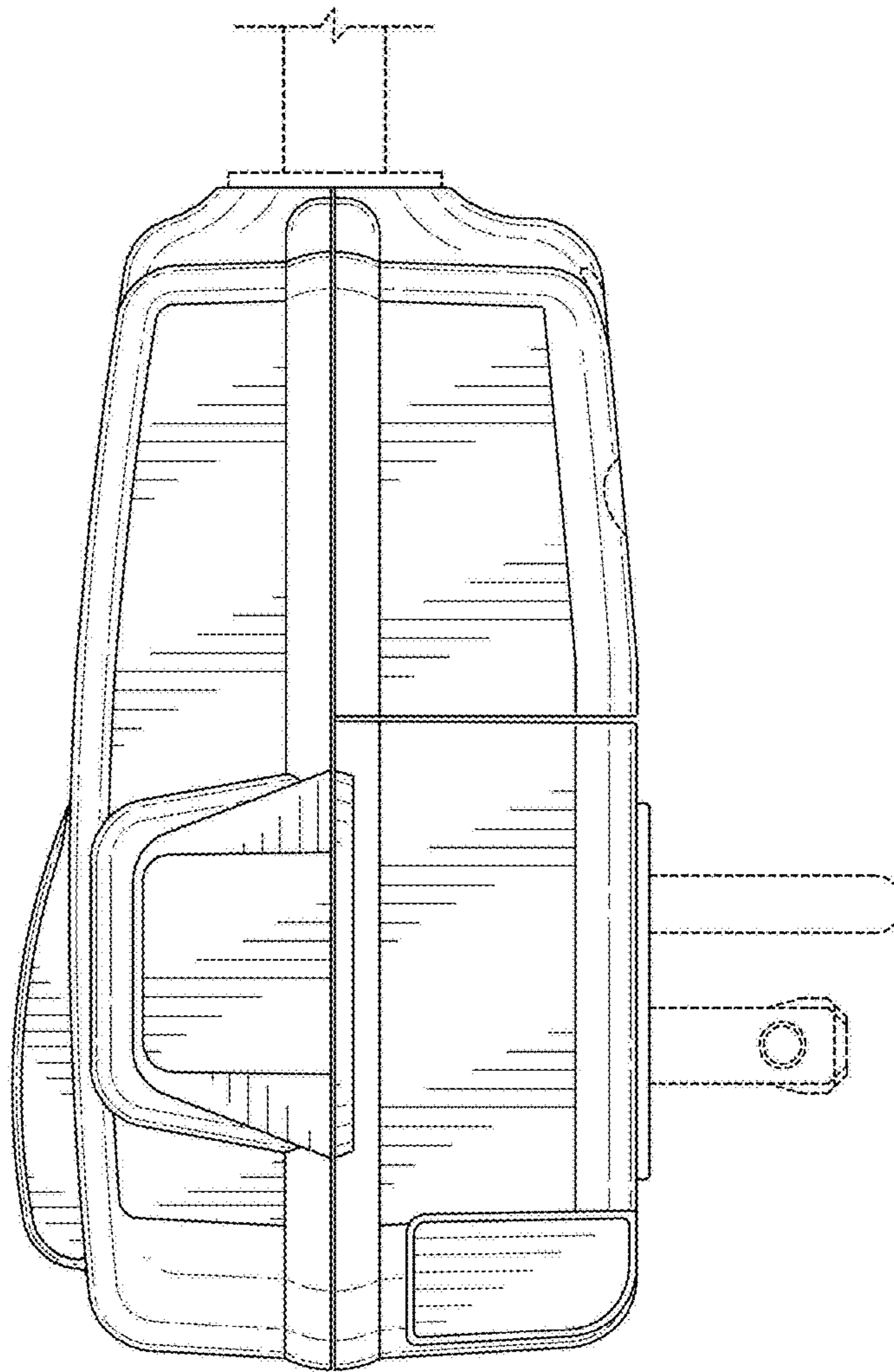


FIG. 4

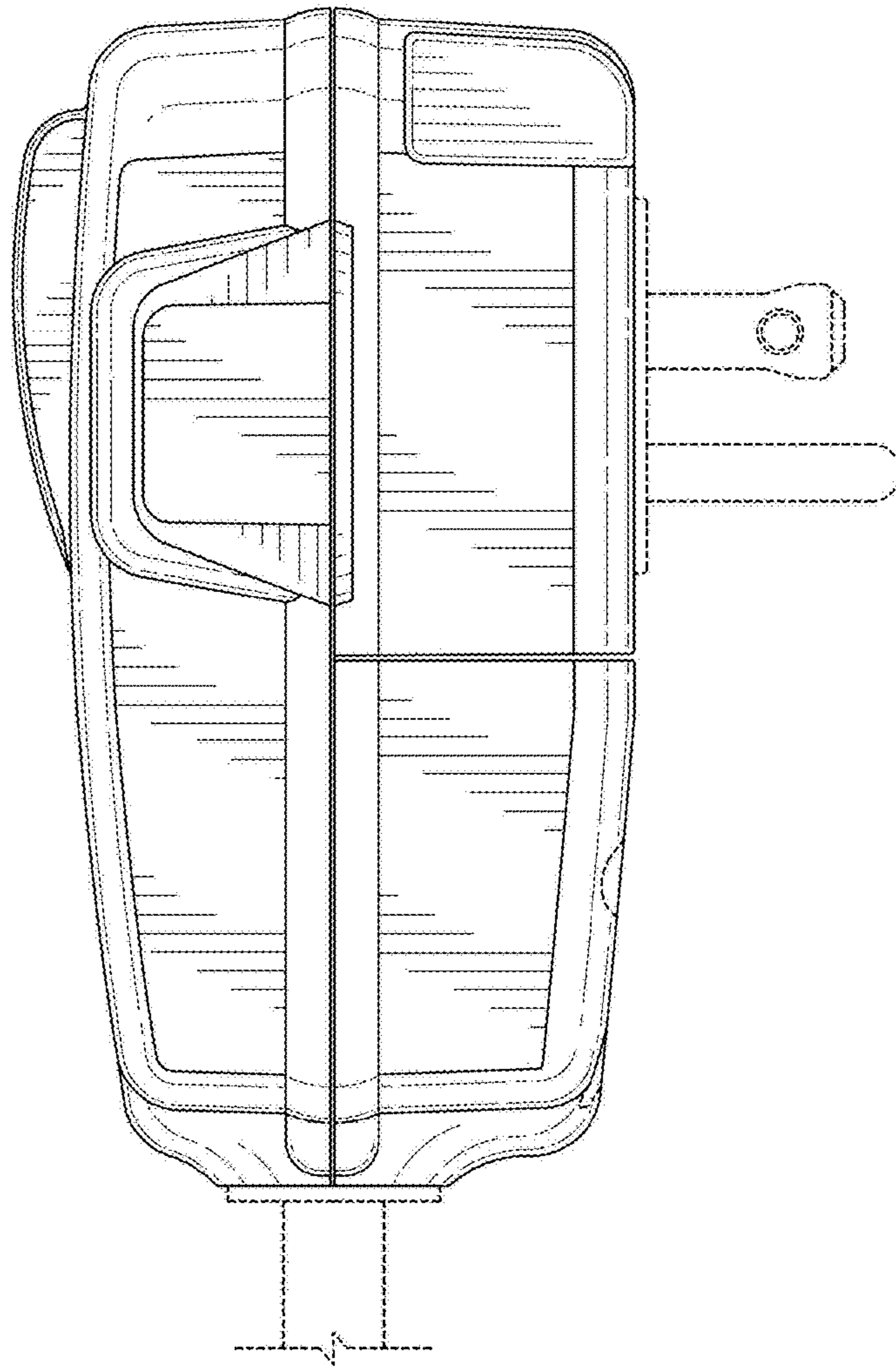


FIG. 5

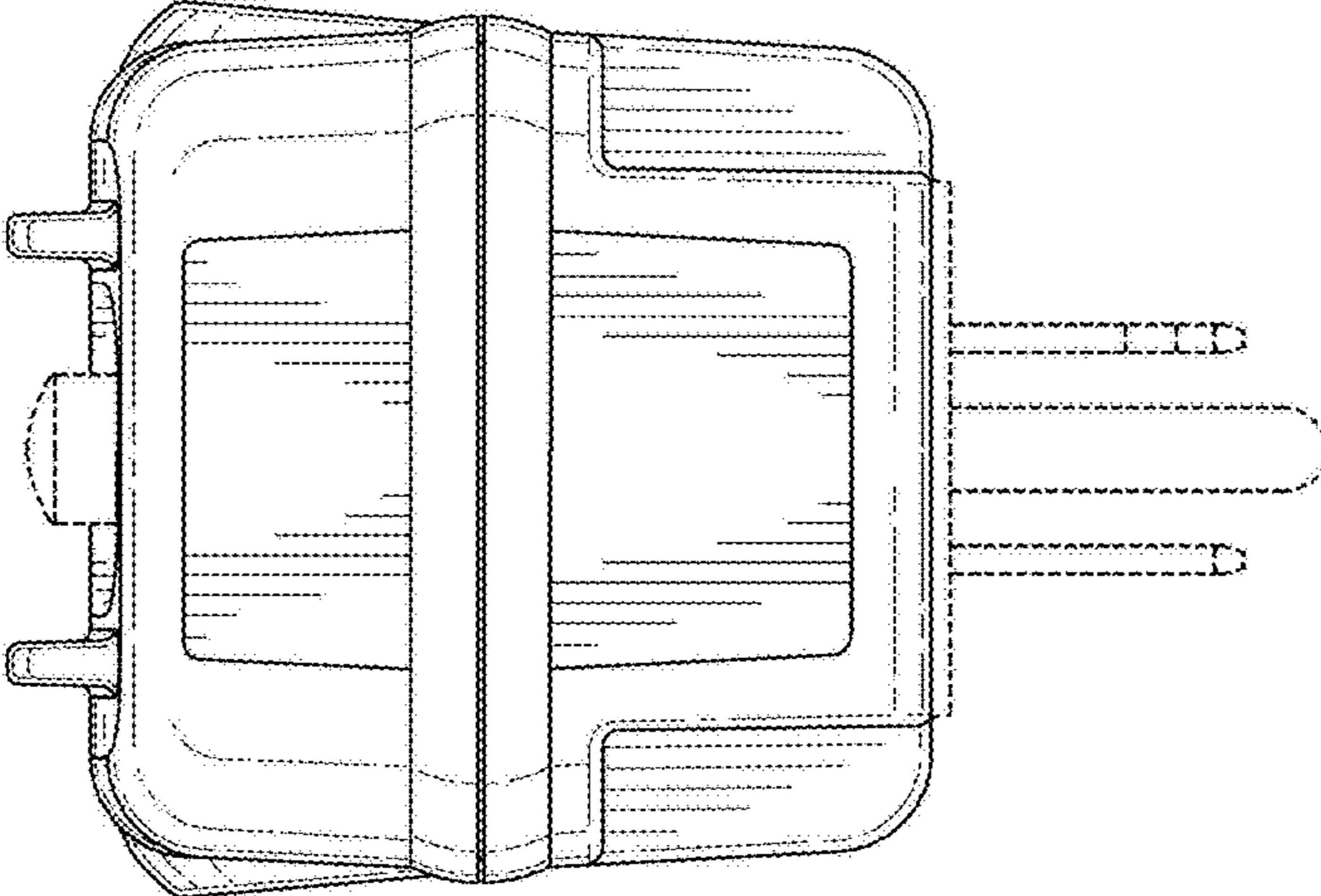


FIG. 6

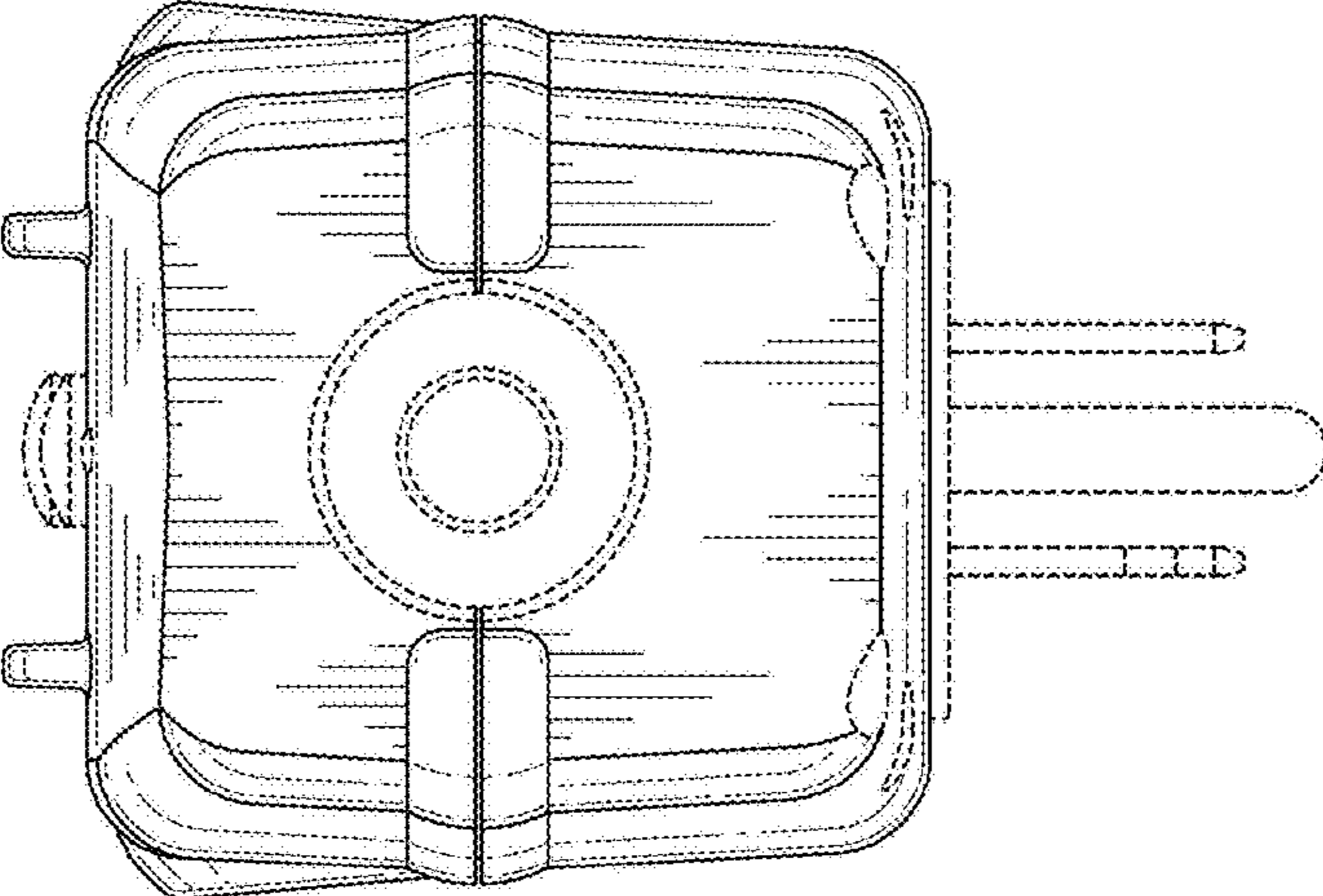


FIG. 7