



US00D849576S

(12) **United States Design Patent**
Richer et al.

(10) **Patent No.:** **US D849,576 S**

(45) **Date of Patent:** **** May 28, 2019**

(54) **ELECTRICAL TESTER**

(71) Applicant: **Fluke Corporation**, Everett, WA (US)

(72) Inventors: **Paul A. Richer**, Everett, WA (US);
Brian S. Aikins, Everett, WA (US);
Ferdinand Y. Laurino, Seattle, WA (US)

(73) Assignee: **Fluke Corporation**, Everett, WA (US)

(**) Term: **15 Years**

(21) Appl. No.: **29/616,132**

(22) Filed: **Sep. 1, 2017**

(51) **LOC (11) Cl.** **10-04**

(52) **U.S. Cl.**
USPC **D10/78**

(58) **Field of Classification Search**
USPC D10/78

CPC G01R 19/14; G01R 19/145; G01R 1/15;
G01R 19/155; G01R 1/07; G01R 1/06788; G01R 1/06794; G01R 1/071;
G01R 1/072; G01R 1/067; G01R 1/06705; G01R 1/06711; G01R 1/06733;
G01R 1/06738; G01R 1/06744; G01R 1/0675; G01R 1/06766; G01R 1/06772;
G01R 1/06777; G01R 1/06783; G01R 1/08; G01R 1/073; G01R 1/07307; G01R 1/07314; G01R 1/07321; G01R 1/07328; G01R 1/07335; G01R 1/07342; G01R 1/0735

See application file for complete search history.

(56) **References Cited**

U.S. PATENT DOCUMENTS

D416,819 S * 11/1999 Luebke D10/78
6,137,285 A * 10/2000 Walsten G01R 19/14
324/115

D481,963 S * 11/2003 Onuma D10/78
D628,917 S * 12/2010 Tian D10/78
9,423,417 B2 * 8/2016 Laurino G01R 1/04

* cited by examiner

Primary Examiner — Antoine Duval Davis

(74) *Attorney, Agent, or Firm* — Seed Intellectual Property Law Group LLP

(57) **CLAIM**

The ornamental design for an electrical tester, as shown and described.

DESCRIPTION

FIG. 1 is a bottom, front right perspective view of an electrical tester showing our new design.

FIG. 2 is a top, rear left perspective view thereof.

FIG. 3 is a front elevation view thereof.

FIG. 4 is a right side elevation view thereof.

FIG. 5 is a left side elevation view thereof.

FIG. 6 is a rear elevation view thereof.

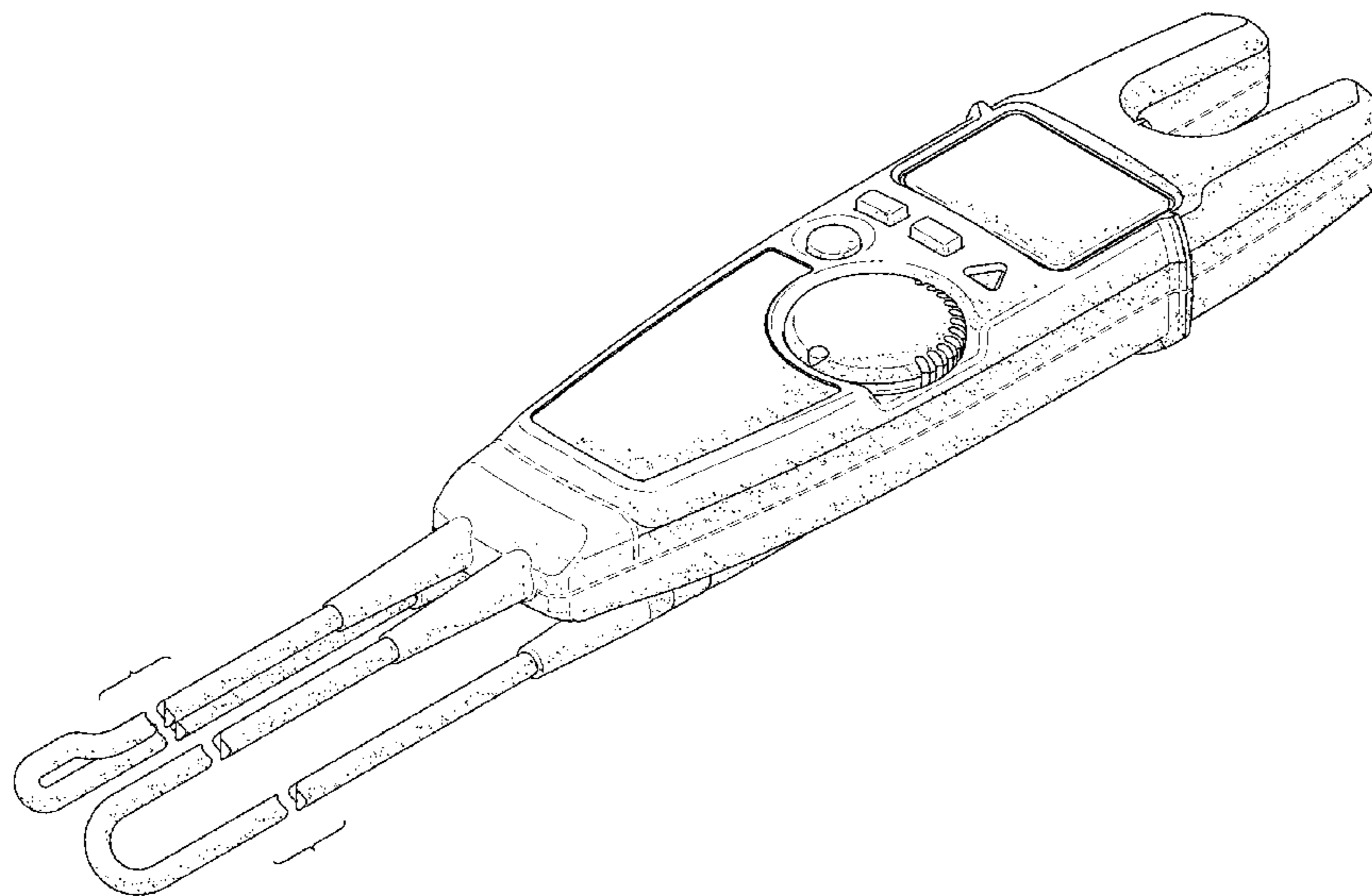
FIG. 7 is a bottom plan view thereof; and,

FIG. 8 is a top plan view thereof.

The electrical tester shown in FIGS. 1-8 includes electrical lead wires that are coupled between a body of the electrical tester and probes. In FIGS. 1 and 2, the electrical lead wires are shown with a symbolic break in their length. The appearance of any portion of the lead wires between the break lines forms no part of the claimed design. In FIGS. 3-6, a portion of each of the lead wires is removed so as to allow a larger scale depiction of the body of the electrical tester. In FIG. 7, a portion of each of the lead wires is removed so as to not obscure details of the body of the electrical tester.

The broken lines in the figures illustrate portions of the electrical tester that form no part of the claimed design.

1 Claim, 7 Drawing Sheets



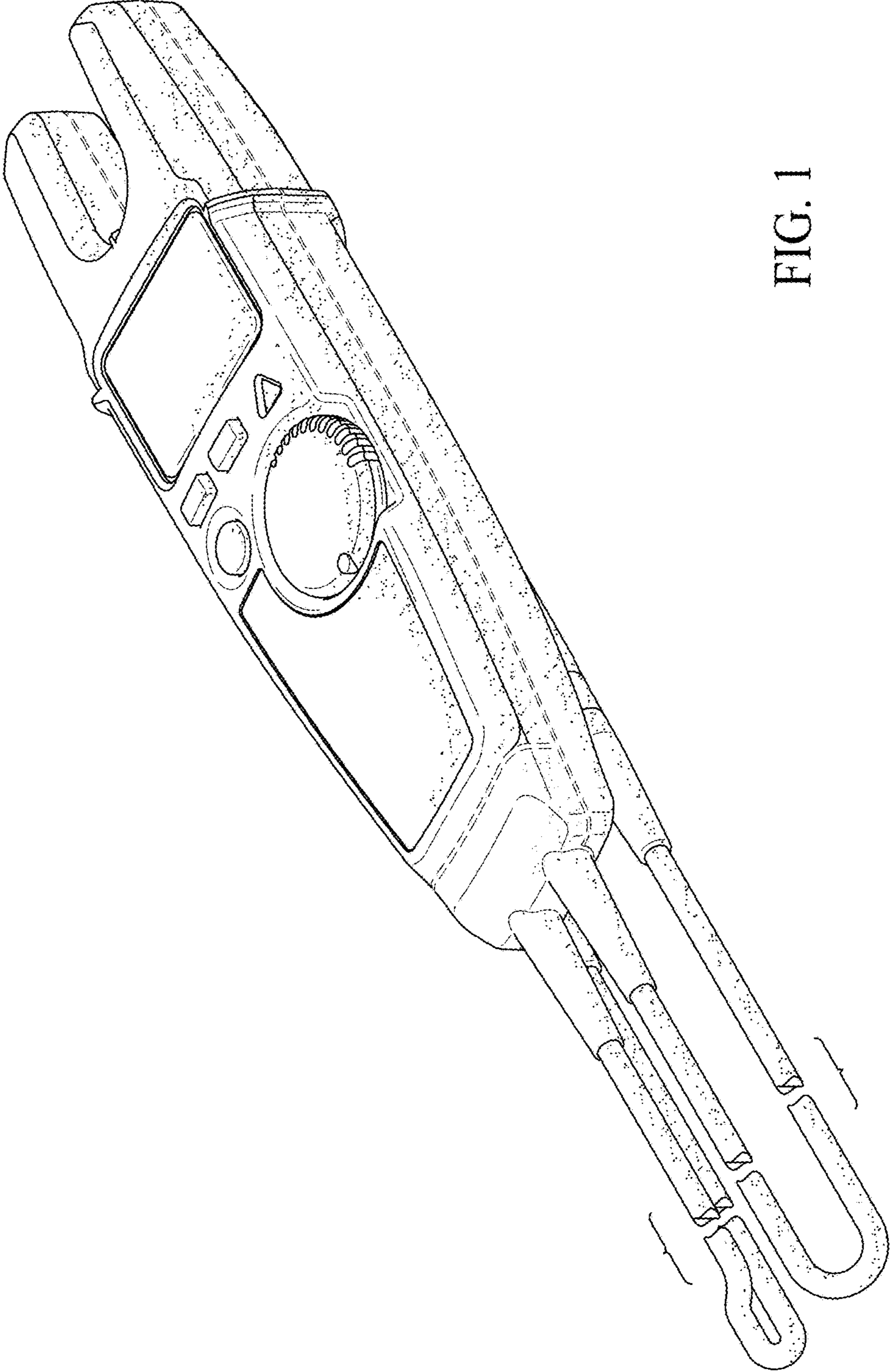


FIG. 1

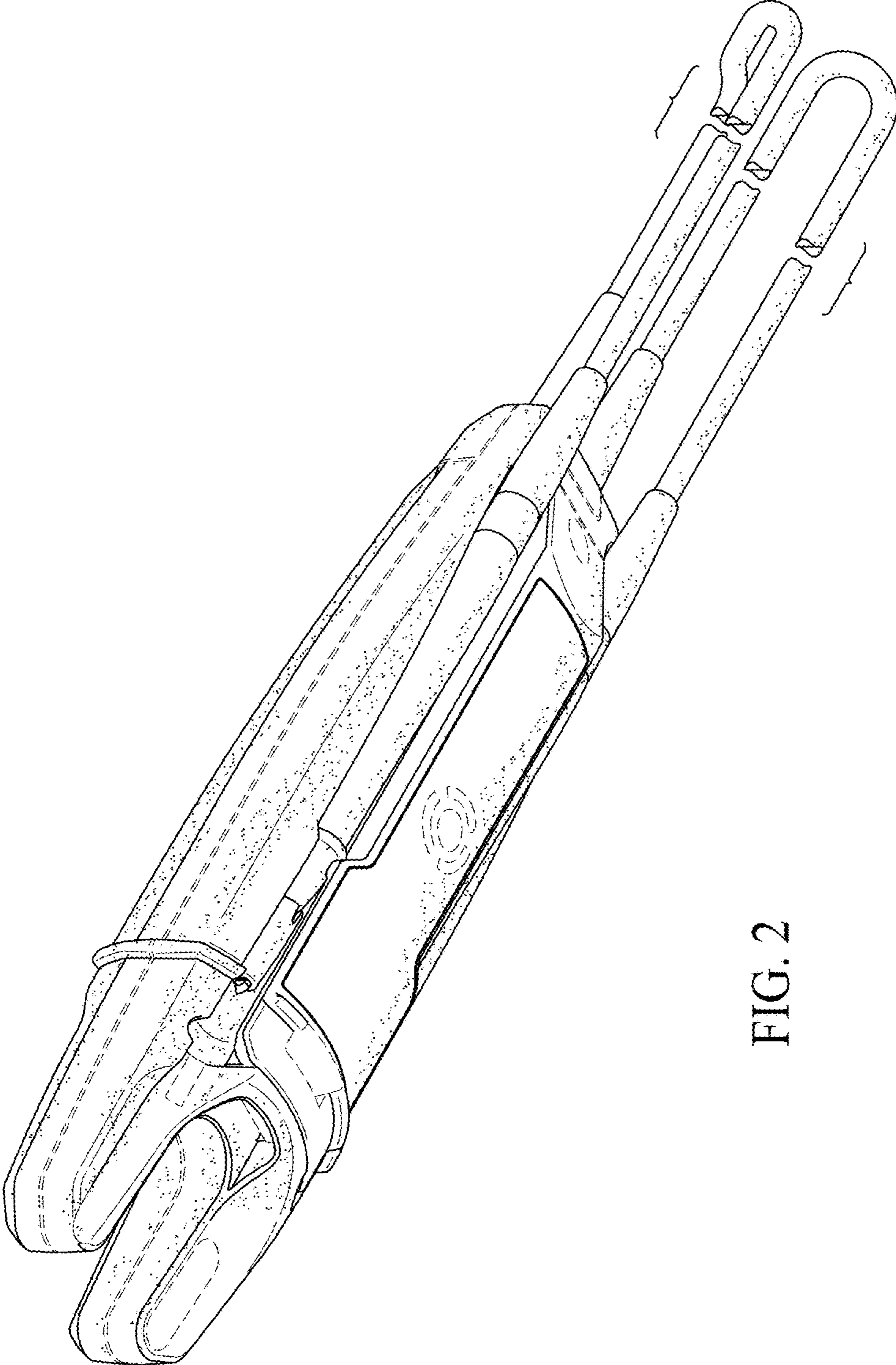


FIG. 2

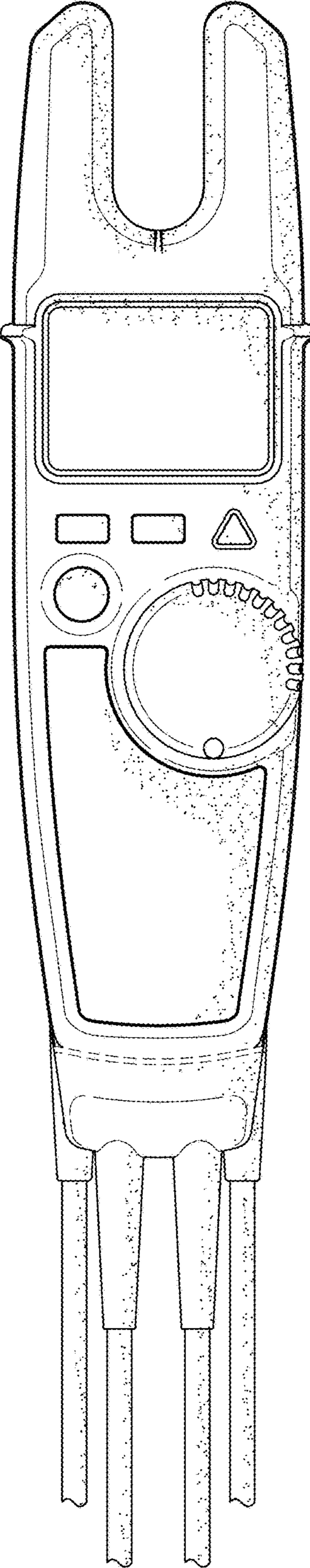


FIG. 3

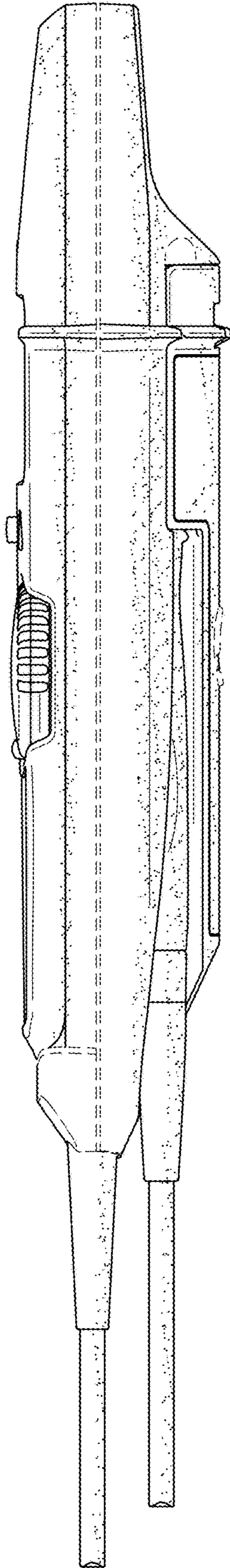


FIG. 4

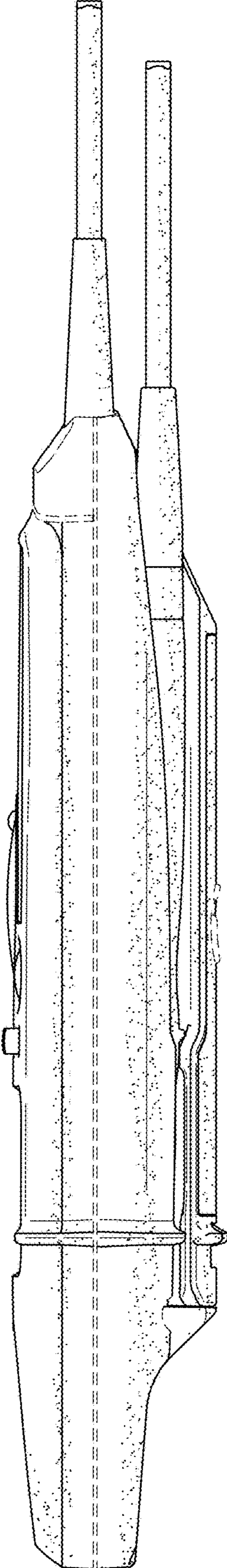


FIG. 5

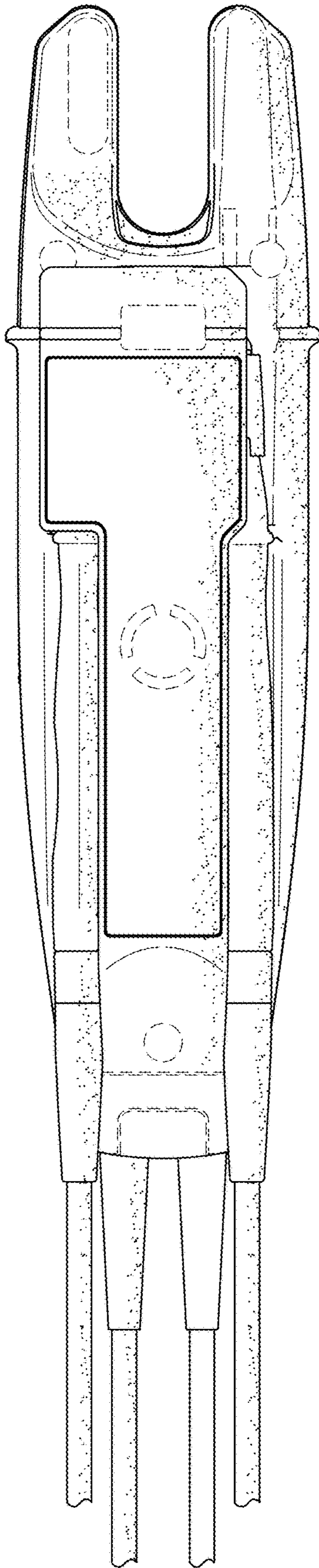


FIG. 6

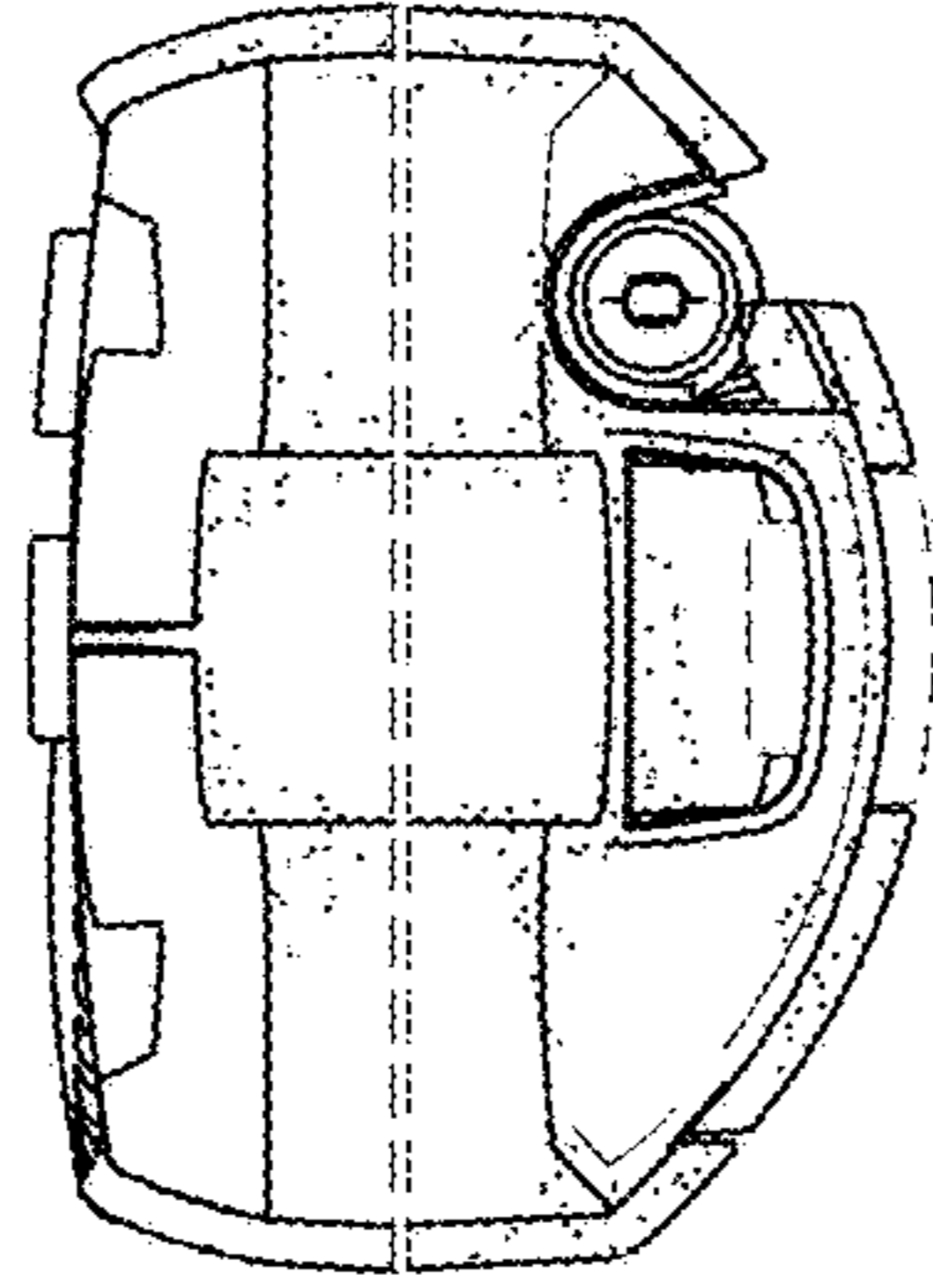


FIG. 8

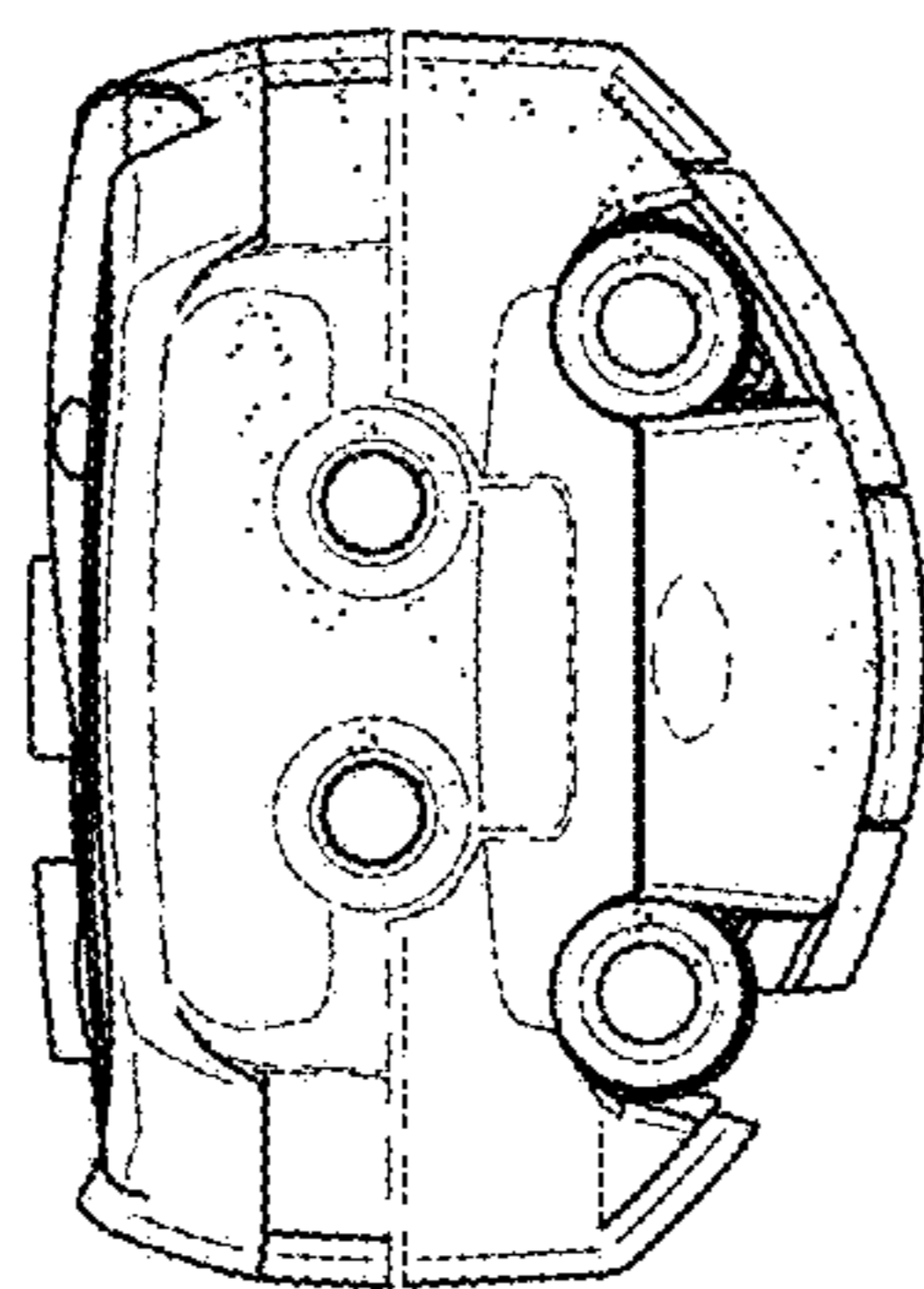


FIG. 7