

US00D849575S

(12) **United States Design Patent** (10) **Patent No.:** **US D849,575 S**
Kittler (45) **Date of Patent:** **** May 28, 2019**

(54) **HANDHELD MEASURING DEVICE**

(71) Applicant: **Helmut Fischer GmbH Institut für Elektronik und Messtechnik, Sindelfingen (DE)**

(72) Inventor: **Reinhard Kittler, Wilhering (AT)**

(73) Assignee: **Helmut Fischer GmbH Institut für Elektronik und Messtechnik, Sindelfingen (DE)**

(**) Term: **15 Years**

(21) Appl. No.: **29/581,467**

(22) Filed: **Oct. 19, 2016**

Related U.S. Application Data

(62) Division of application No. 35/500,346, filed on Jul. 31, 2015 (U.S. filing date under 35 U.S.C. 384), and having an international filing date of Jul. 31, 2015, now Pat. No. Des. 800,339.

(30) **Foreign Application Priority Data**

Feb. 13, 2015 (DE) 40 2015 100 140
Jul. 31, 2015 (WO) DM/088384

(51) **LOC (11) Cl.** **10-04**

(52) **U.S. Cl.**
USPC **D10/78**

(58) **Field of Classification Search**
USPC D10/78, 47
CPC H05G 1/56; G01N 23/223; H01J 5/18
See application file for complete search history.

(56) **References Cited**

U.S. PATENT DOCUMENTS

7,875,847 B2 1/2011 Dugas et al.
8,141,754 B2 3/2012 Conner
D702,350 S 4/2014 Nasella

8,745,889 B2 6/2014 Fischer
9,335,280 B2 5/2016 Pomerantz
D758,585 S 6/2016 Boegel
D758,586 S 6/2016 Yokoyama
D760,101 S * 6/2016 Bacon D10/47
9,689,816 B2 * 6/2017 Jones G01N 23/223
9,839,108 B2 * 12/2017 Jones H05G 1/56
D820,699 S * 6/2018 Bacon D10/78
2008/0205592 A1 * 8/2008 Connors G01N 23/223
378/45
2009/0057422 A1 5/2009 Dugas et al.
2010/0226476 A1 9/2010 Pesce et al.
2010/0278312 A1 11/2010 Ortiz

(Continued)

FOREIGN PATENT DOCUMENTS

CN 2013 40400 Y 11/2009
CN 103364425 A 10/2013

(Continued)

OTHER PUBLICATIONS

European Search Report for corresponding European Patent Application No. 15 17 4787 dated Apr. 20, 2016.

Primary Examiner — George D. Kirschbaum
(74) *Attorney, Agent, or Firm* — Renner, Otto, Boisselle & Sklar, LLP

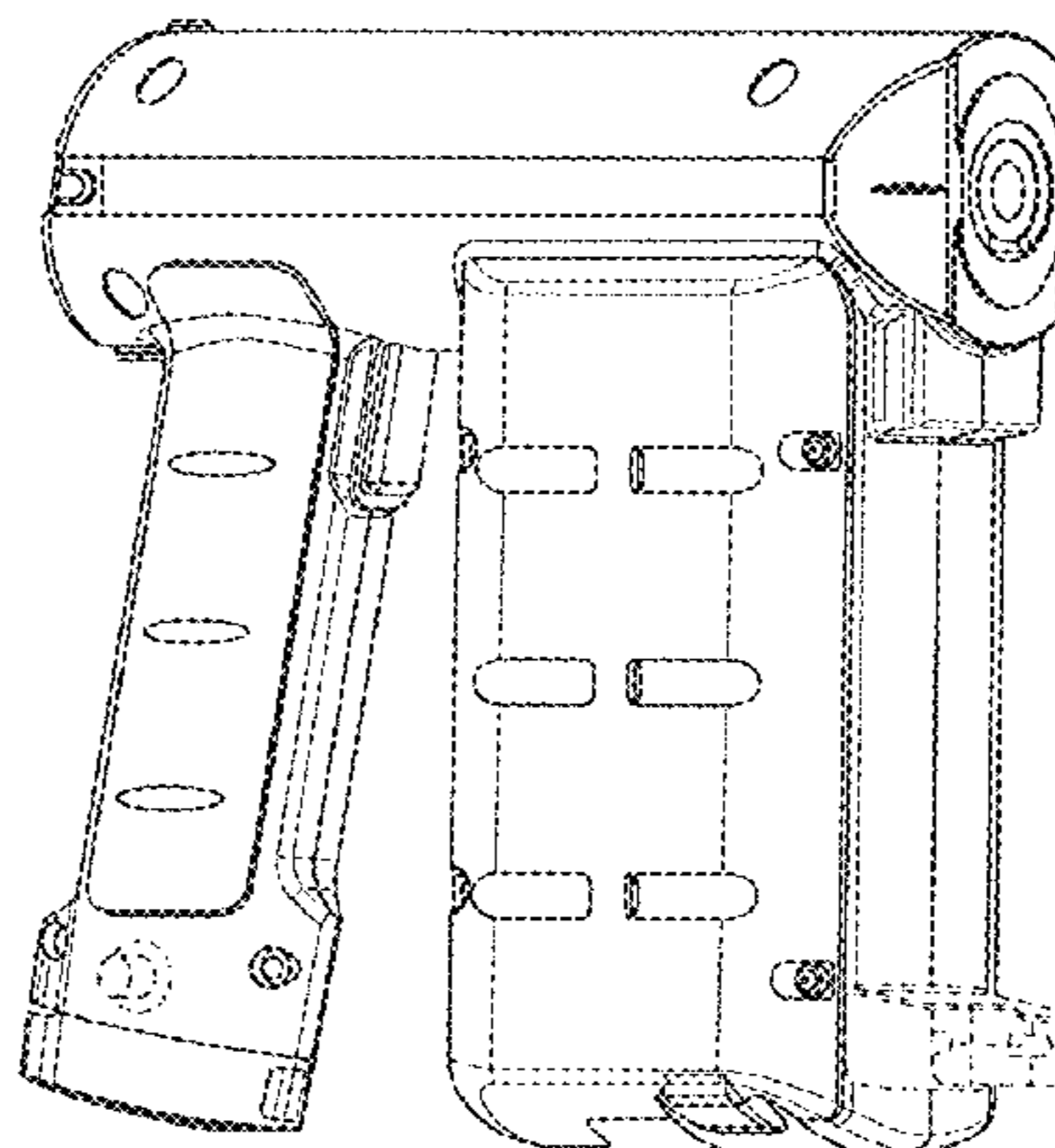
(57) **CLAIM**

The ornamental design for a handheld measuring device, as shown and described.

DESCRIPTION

FIG. 1 is a right side perspective view of a handheld measuring device showing my design. FIG. 2 is a left side perspective view thereof; and, FIG. 3 is a right side elevational view thereof. The broken lines depict unclaimed environmental subject matter.

1 Claim, 3 Drawing Sheets



(56)

References Cited

U.S. PATENT DOCUMENTS

2011/0079734 A1 4/2011 Grodzins
2011/0142200 A1 6/2011 Piorek et al.
2013/0022166 A1 1/2013 Drummy
2013/0114787 A1 5/2013 Brown
2014/0098941 A1 4/2014 Konkle
2014/0301530 A1* 10/2014 Failla, Jr. H01J 5/18
378/45
2014/0307849 A1* 10/2014 Cancre G01N 23/223
378/45
2015/0212018 A1* 7/2015 Shields G01N 23/223
378/44

FOREIGN PATENT DOCUMENTS

EP 2 549 266 A2 1/2013
EP 2 896 959 A1 7/2015
JP 2012-229967 A 11/2012
WO 00/37928 6/2000
WO 2008/100914 A2 8/2008
WO 2013/052556 A2 4/2013
WO 2013/112819 A1 8/2013

* cited by examiner

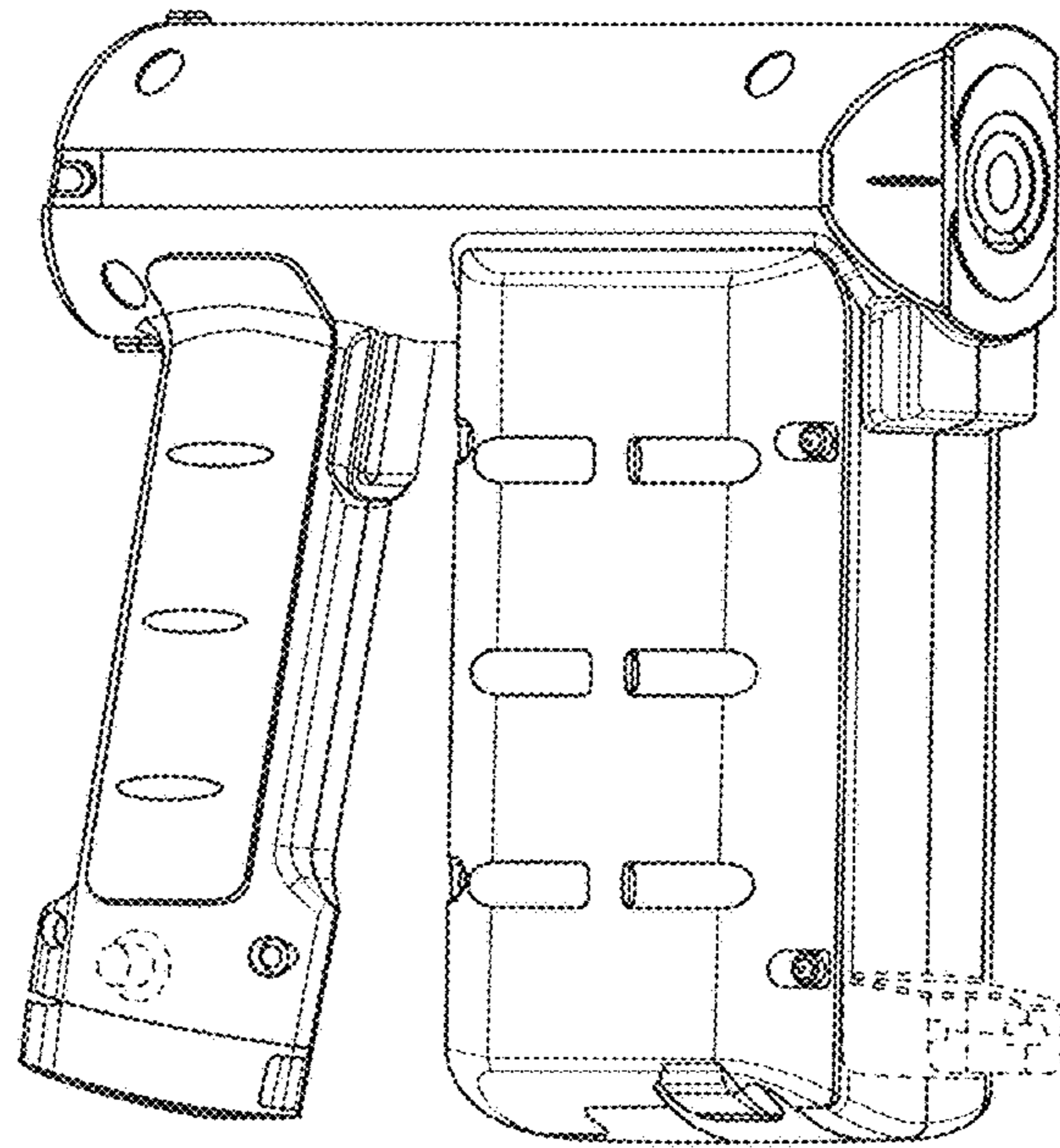


Fig. 1

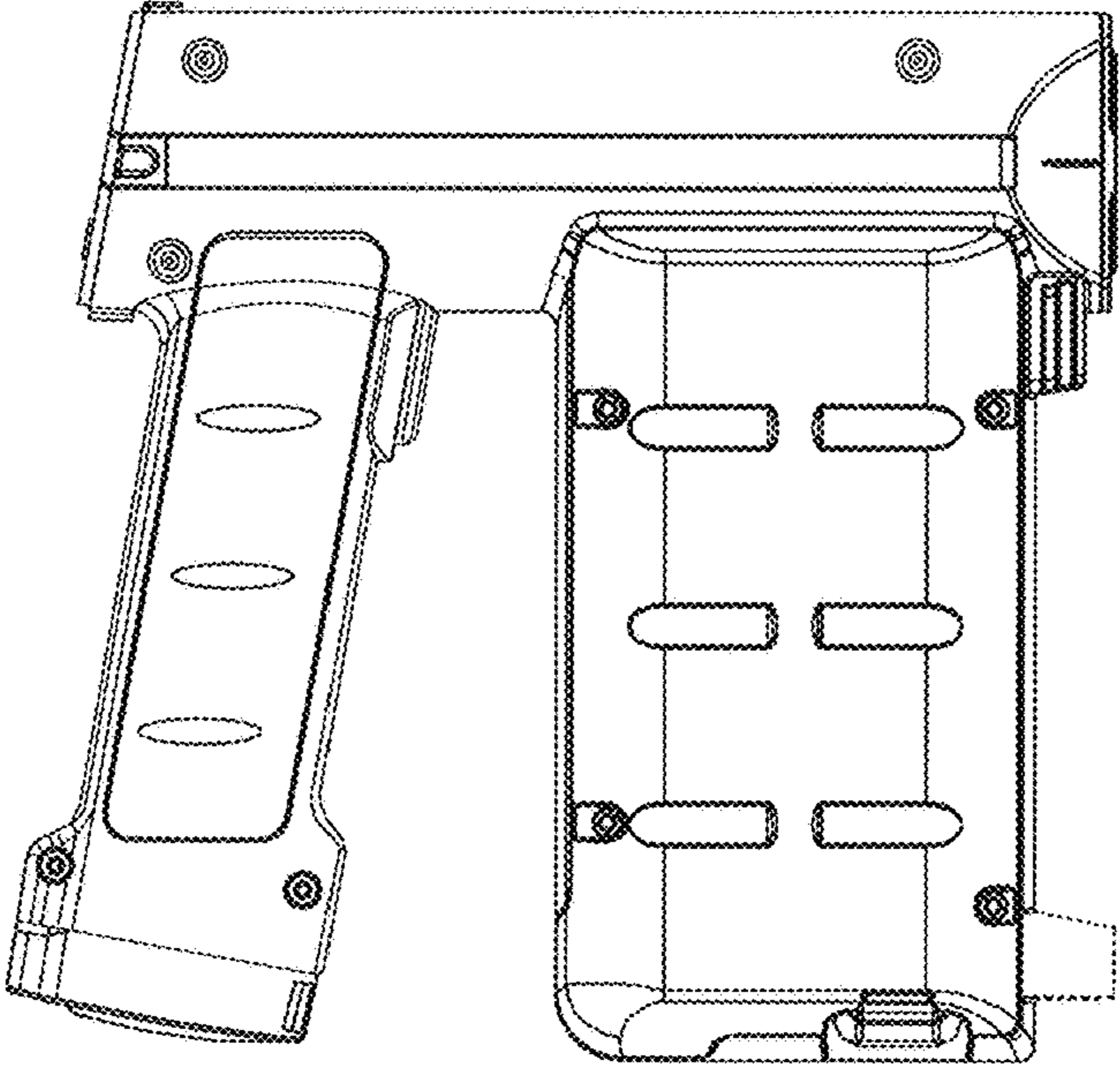


Fig. 2

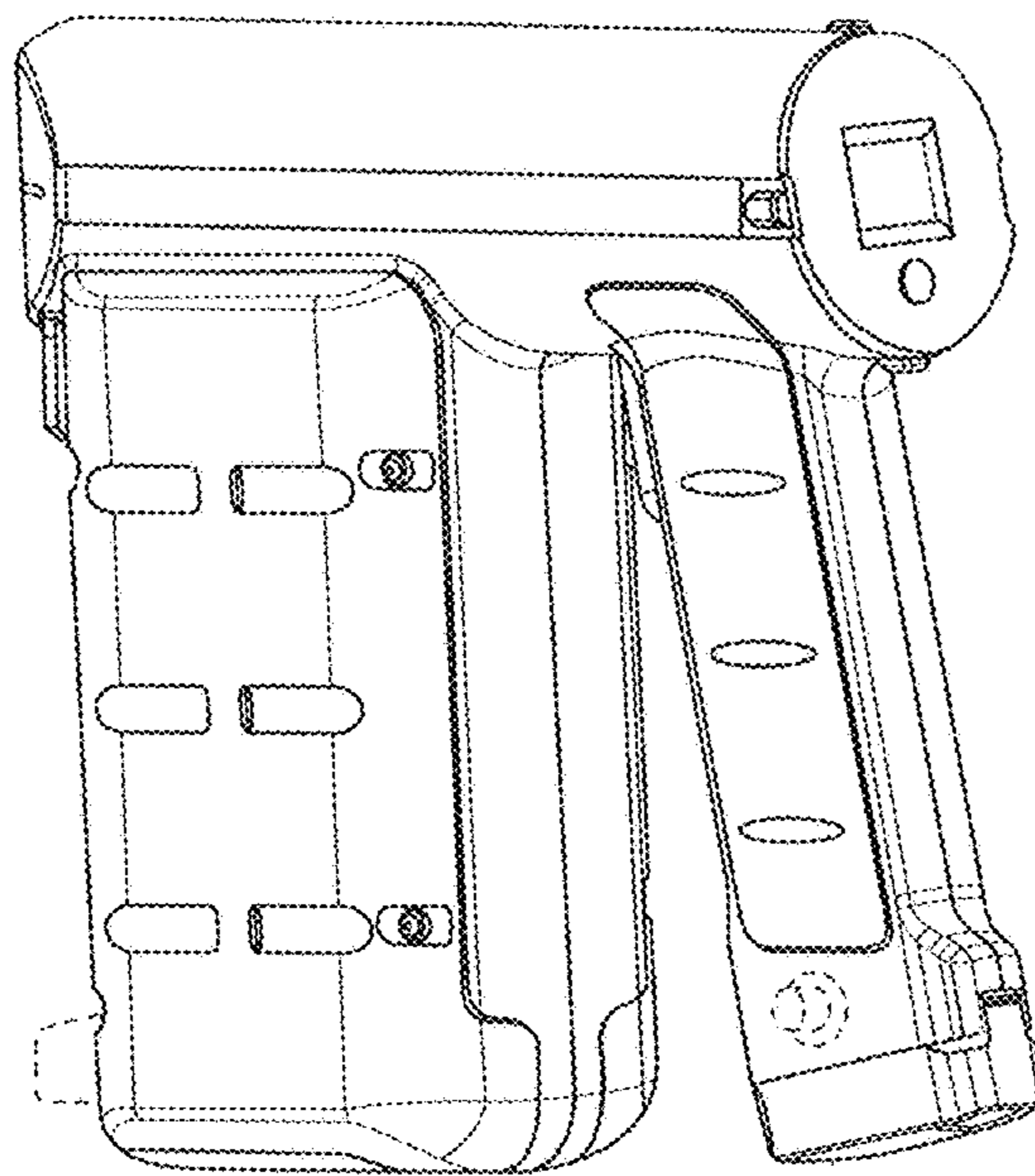


Fig. 3