



US00D849574S

(12) **United States Design Patent**
Sanders et al.

(10) **Patent No.:** **US D849,574 S**

(45) **Date of Patent:** **** May 28, 2019**

(54) **HANDHELD DETECTOR DEVICE**

(71) Applicant: **FLIR Detection, Inc.**, Stillwater, OK (US)

(72) Inventors: **Martin Sanders**, Stillwater, OK (US); **Christian Högstedt**, Nacka (SE); **Jonas Samrelius**, Stockholm (SE); **Kristofer Vahlström**, Stockholm (SE)

(73) Assignee: **FLIR Detection, Inc.**, Stillwater, OK (US)

(**) Term: **15 Years**

(21) Appl. No.: **29/543,148**

(22) Filed: **Oct. 21, 2015**

(51) **LOC (11) Cl.** **10-04**

(52) **U.S. Cl.**
USPC **D10/78; D16/206**

(58) **Field of Classification Search**
USPC D16/200, 202–206, 208, 218, 219;
D10/47, 78, 81, 106.6; 348/164, 347,
348/373–376; 396/535, 539–541;
250/330, 332
CPC G03B 15/03; G03B 17/02; G03B 17/04;
G03B 17/56; G03B 19/04; H04N 5/2251;
H04N 5/2252; H04N 5/2253; H04N
5/2254; H04N 2101/00; H04N 5/33;
H04N 5/332
See application file for complete search history.

(56) **References Cited**

U.S. PATENT DOCUMENTS

D245,584 S * 8/1977 Byram D10/47
D434,989 S * 12/2000 Evans D10/78
D450,611 S * 11/2001 Stewart D10/106.6

D560,528 S * 1/2008 Chen D10/78
D583,261 S * 12/2008 Johnson D10/47
D710,424 S 8/2014 Hällgren
D723,605 S * 3/2015 Palm D16/206
D731,909 S * 6/2015 Weakly D10/81
D733,783 S * 7/2015 Wu D16/206
D741,390 S * 10/2015 Mayeur D16/206
D780,245 S * 2/2017 Ruback D16/206
2004/0129881 A1 * 7/2004 Hamrelius G01J 5/025
250/330
2012/0314084 A1 * 12/2012 Lammert G01J 5/02
348/164
2013/0188058 A1 * 7/2013 Nguyen G01J 5/02
348/164

* cited by examiner

Primary Examiner — Ramzi S Almatrahi

(74) *Attorney, Agent, or Firm* — Haynes and Boone, LLP

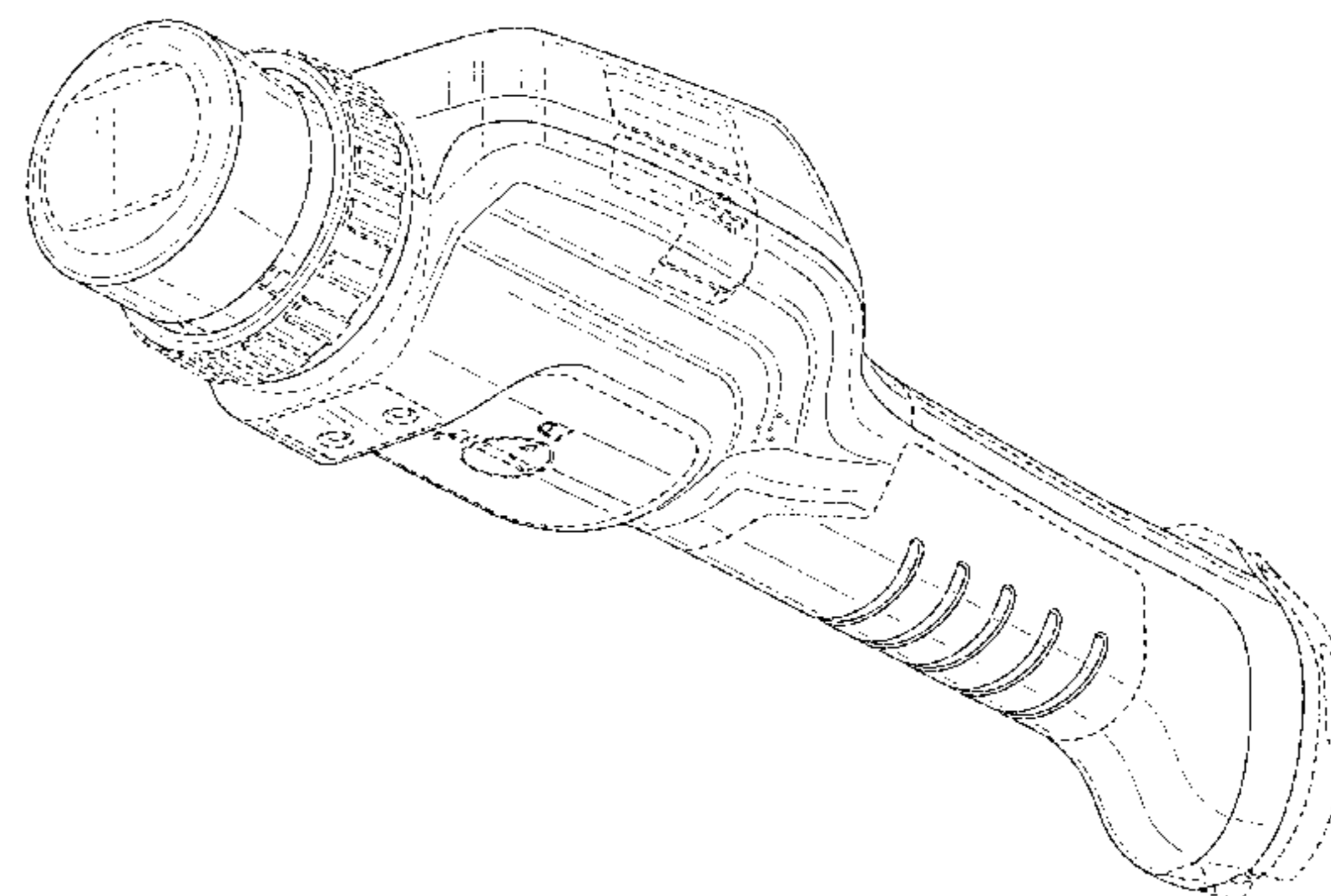
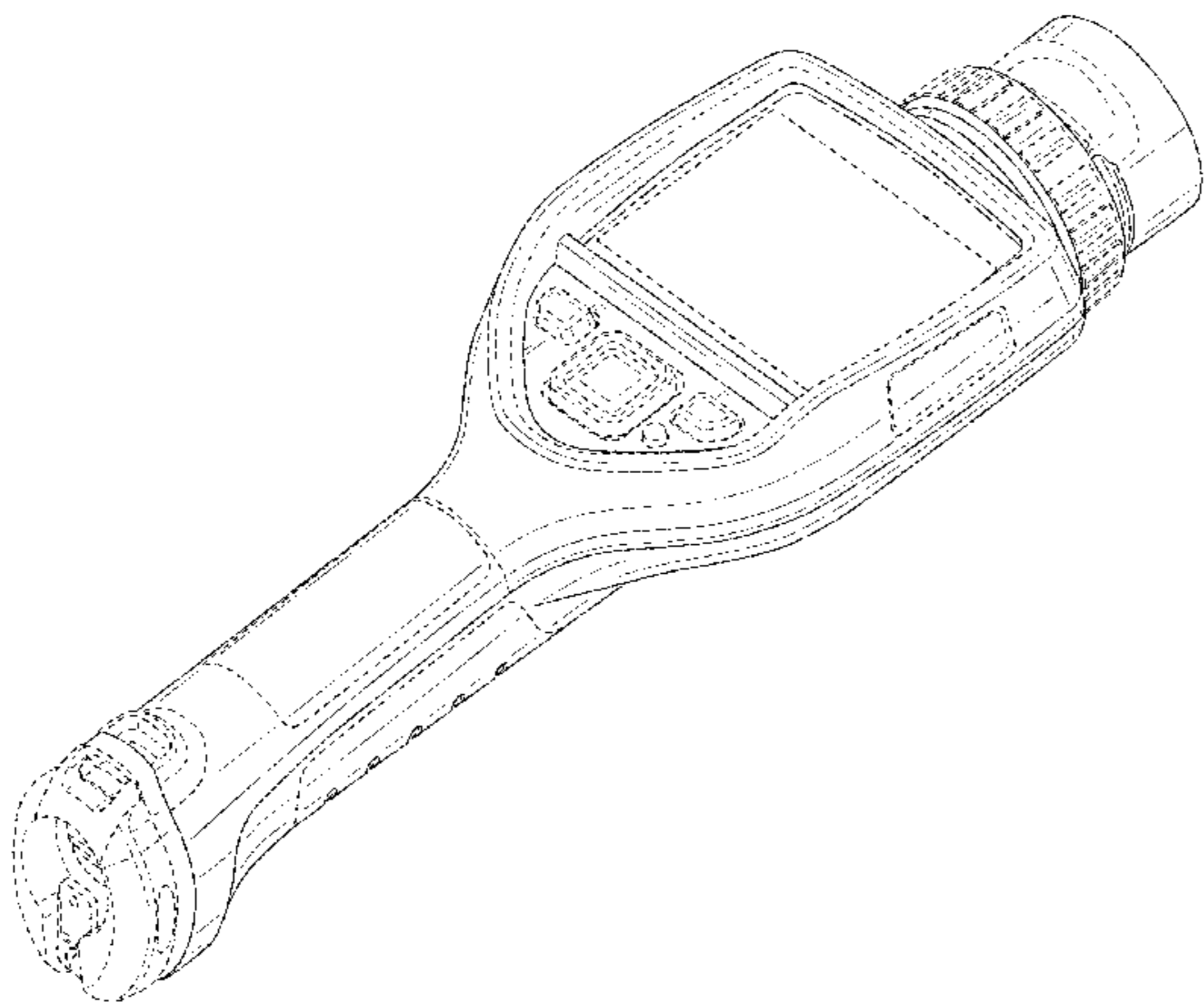
(57) **CLAIM**

The ornamental design for a handheld detector device, as shown and described.

DESCRIPTION

FIG. 1 is a front-left-bottom perspective view of a handheld detector device embodying the new design; FIG. 2 is a front elevational view thereof; FIG. 3 is a rear elevational view thereof; FIG. 4 is a right side view thereof; FIG. 5 is a left side view thereof; FIG. 6 is a top plan view thereof; FIG. 7 is a bottom plan view thereof; and, FIG. 8 is a rear-right-top perspective view thereof. The broken lines depict portions of the handheld detector device in which the design is embodied that form no part of the claimed design. Additionally, the dash-dot lines denote the boundary of the claim and form no part of the claimed design.

1 Claim, 7 Drawing Sheets



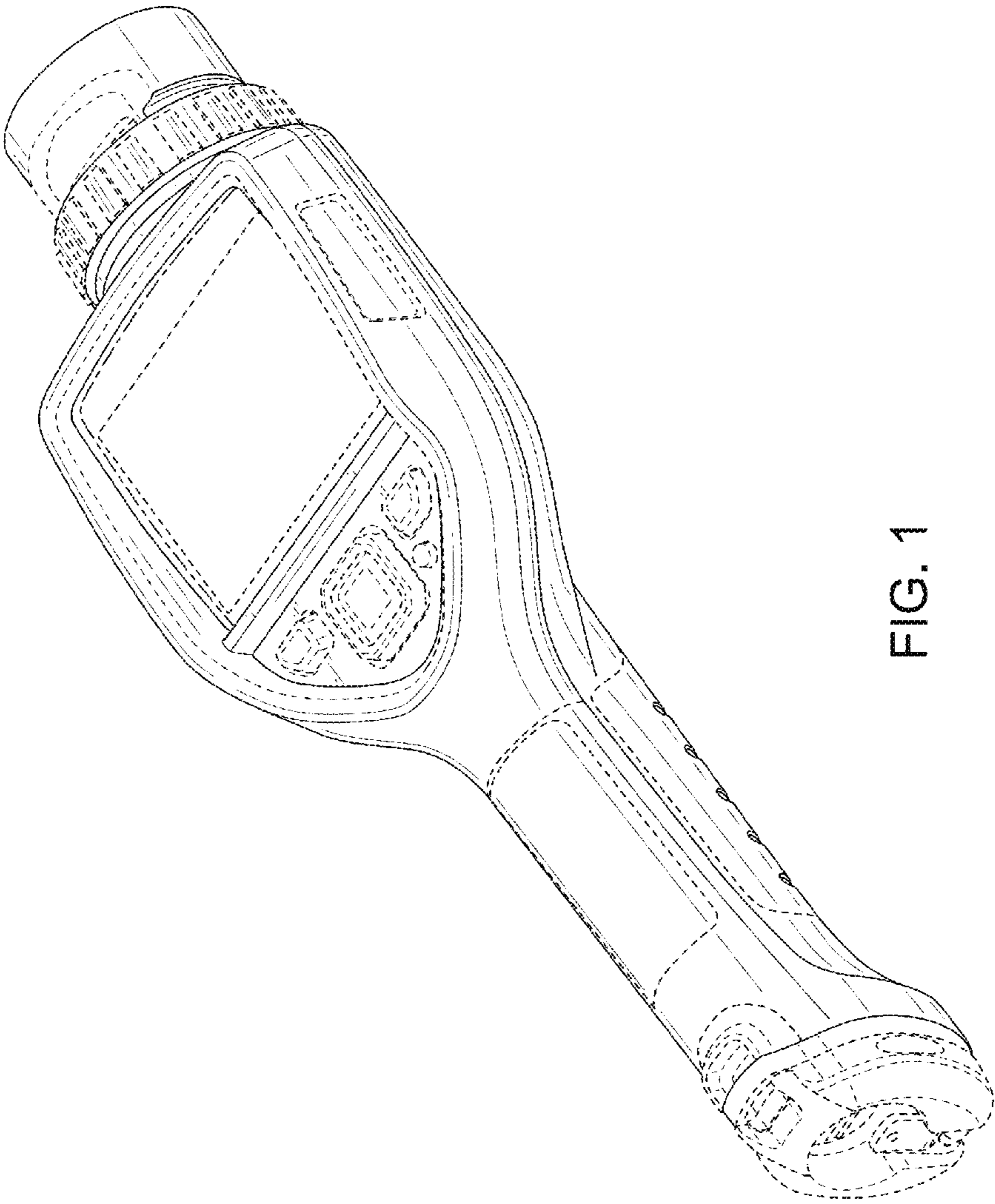


FIG. 1

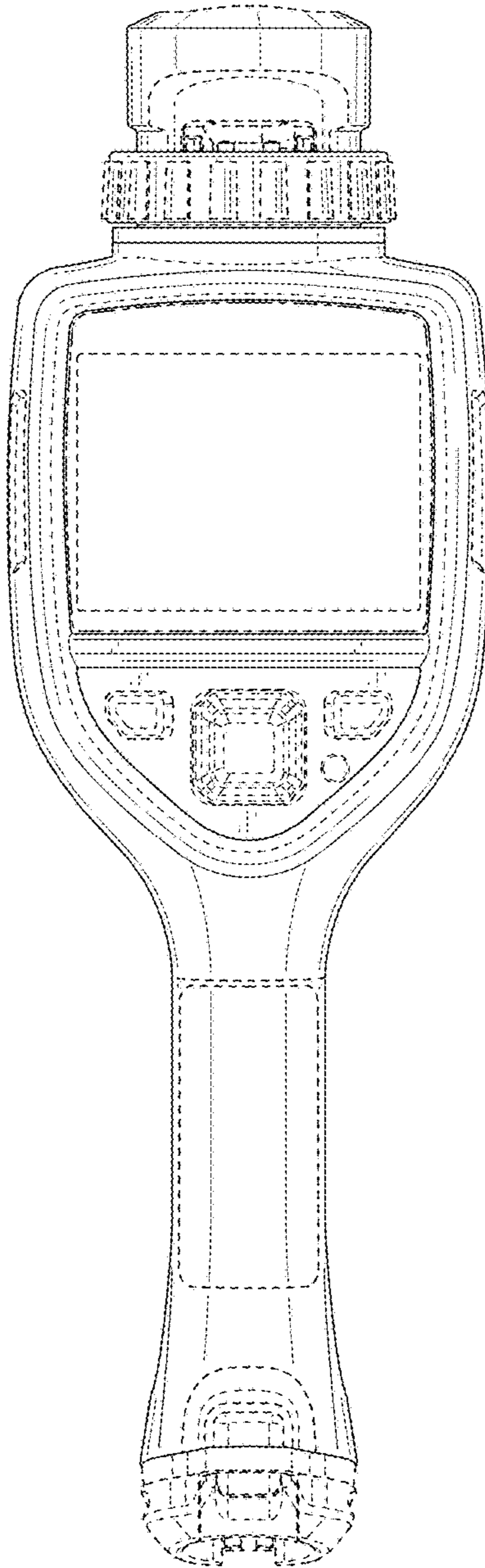


FIG. 2

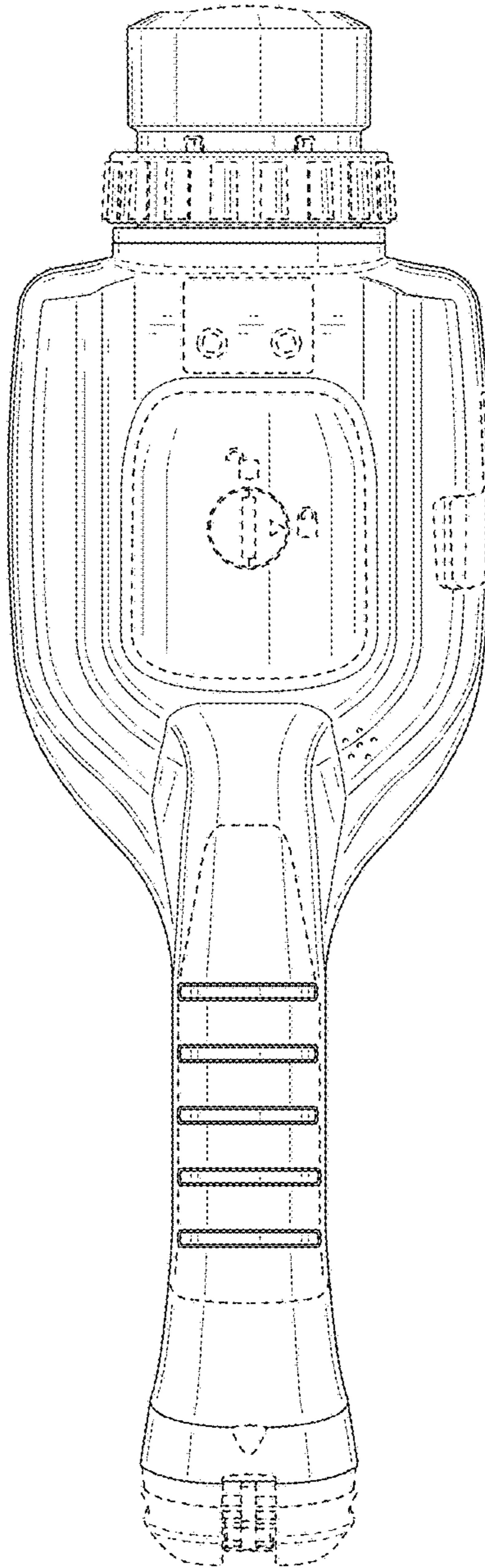


FIG. 3

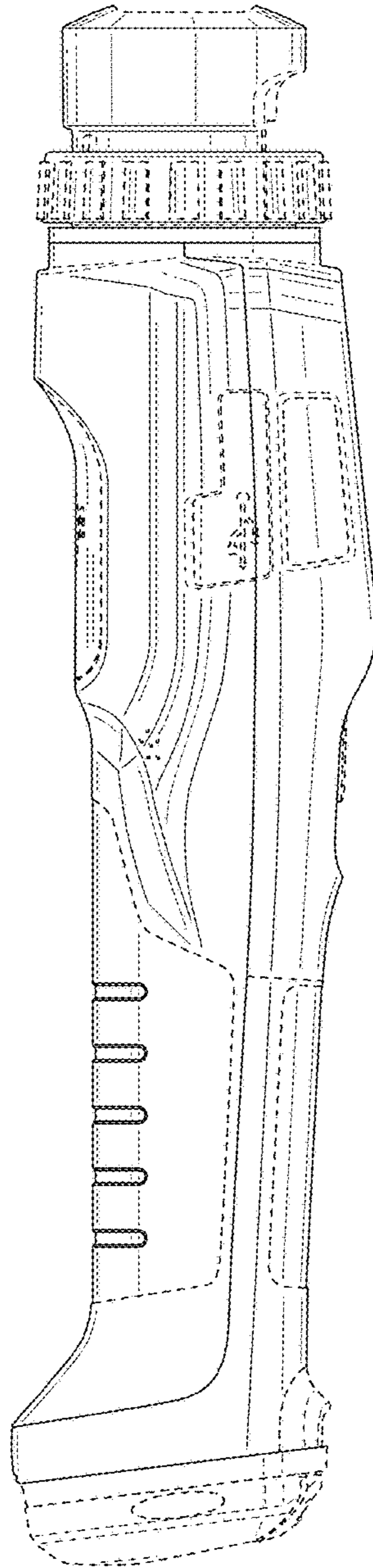


FIG. 4

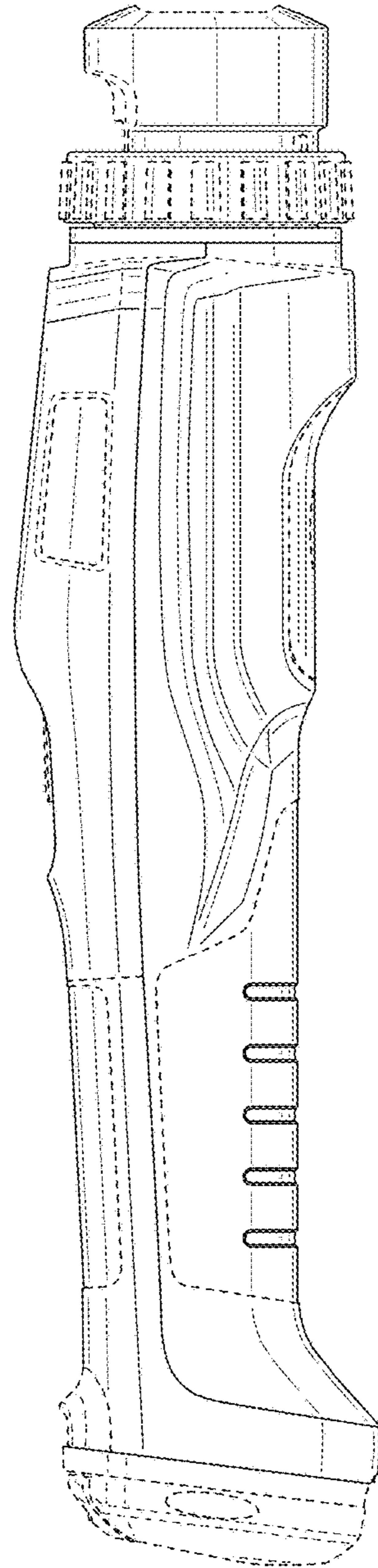


FIG. 5

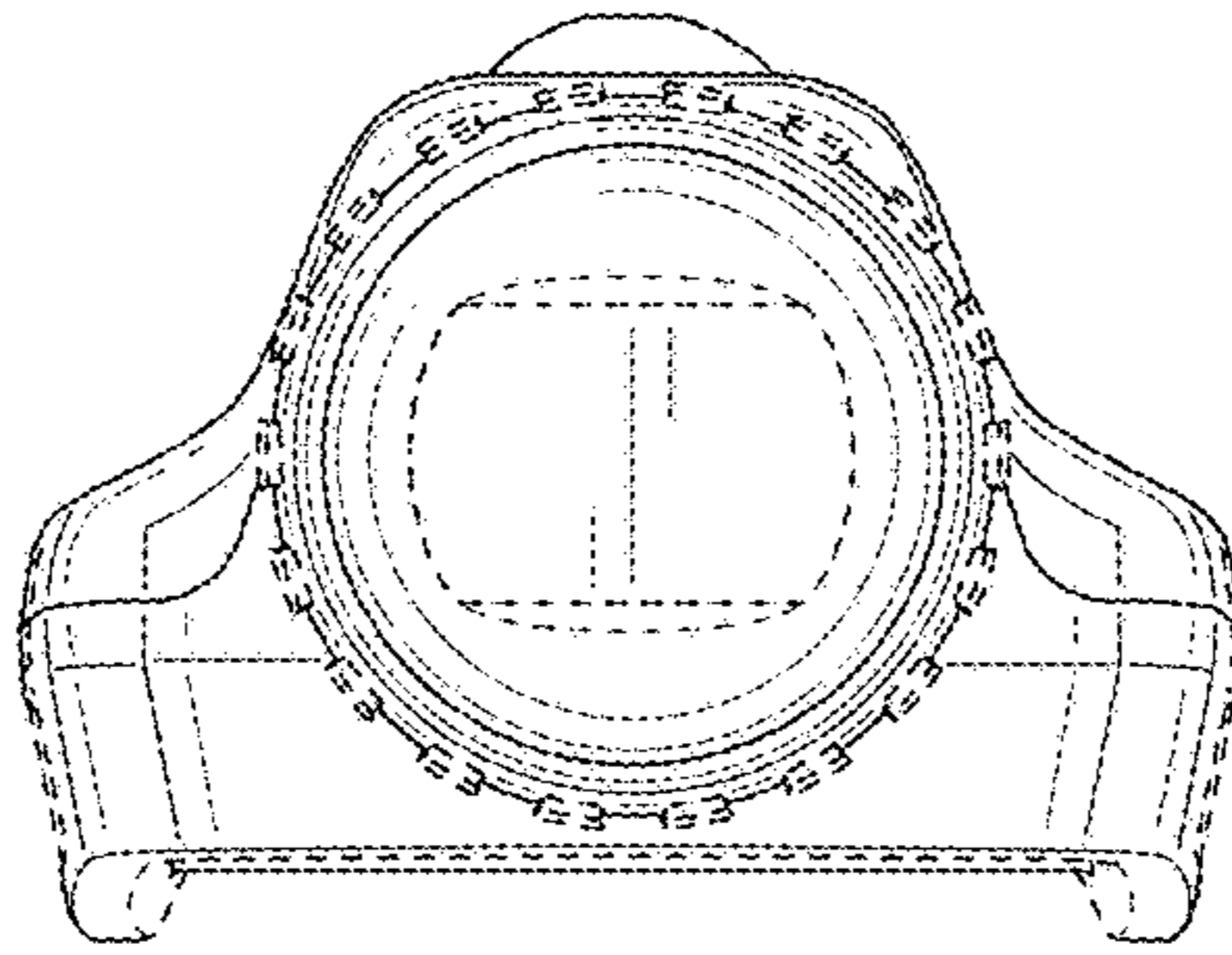


FIG. 6

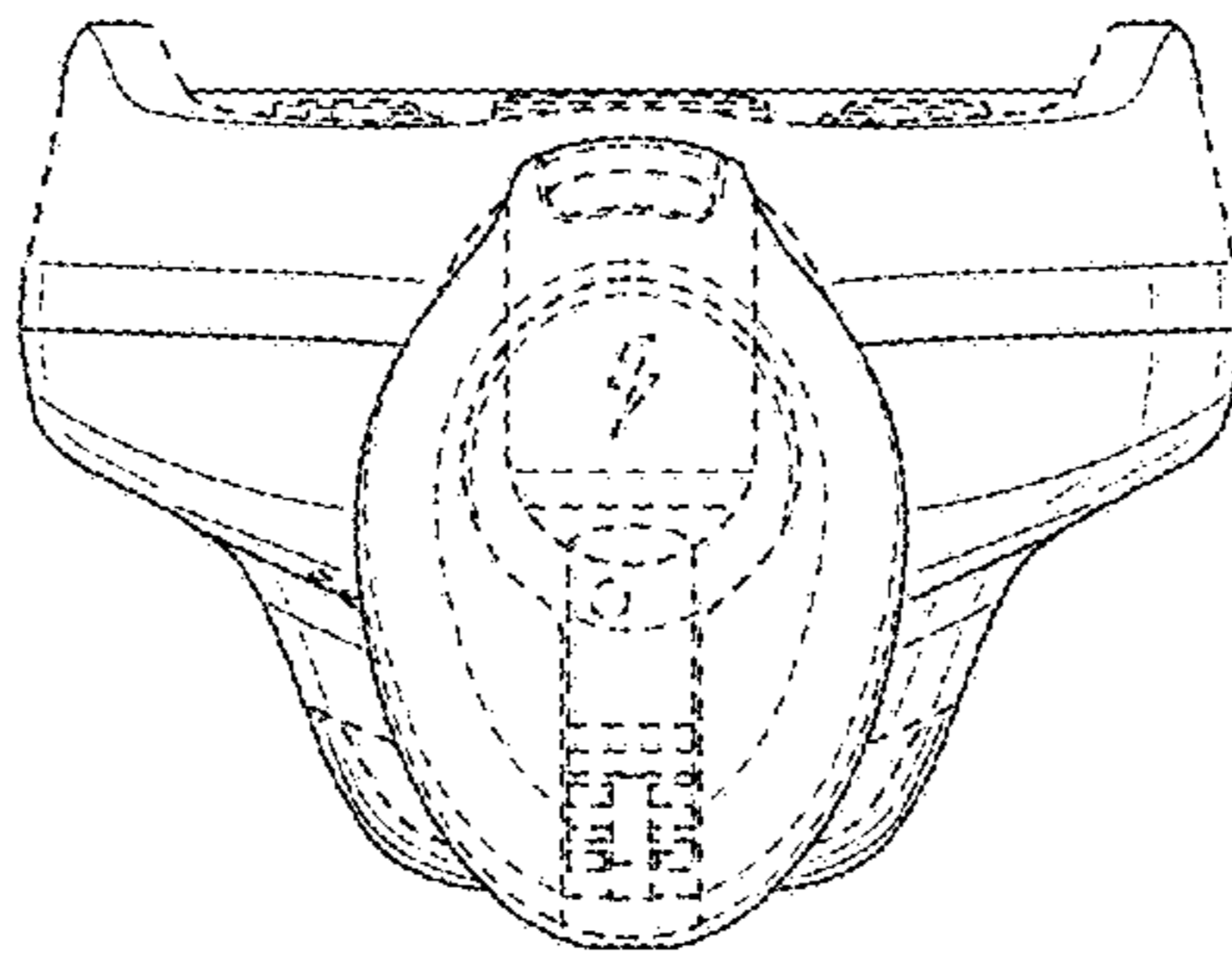


FIG. 7

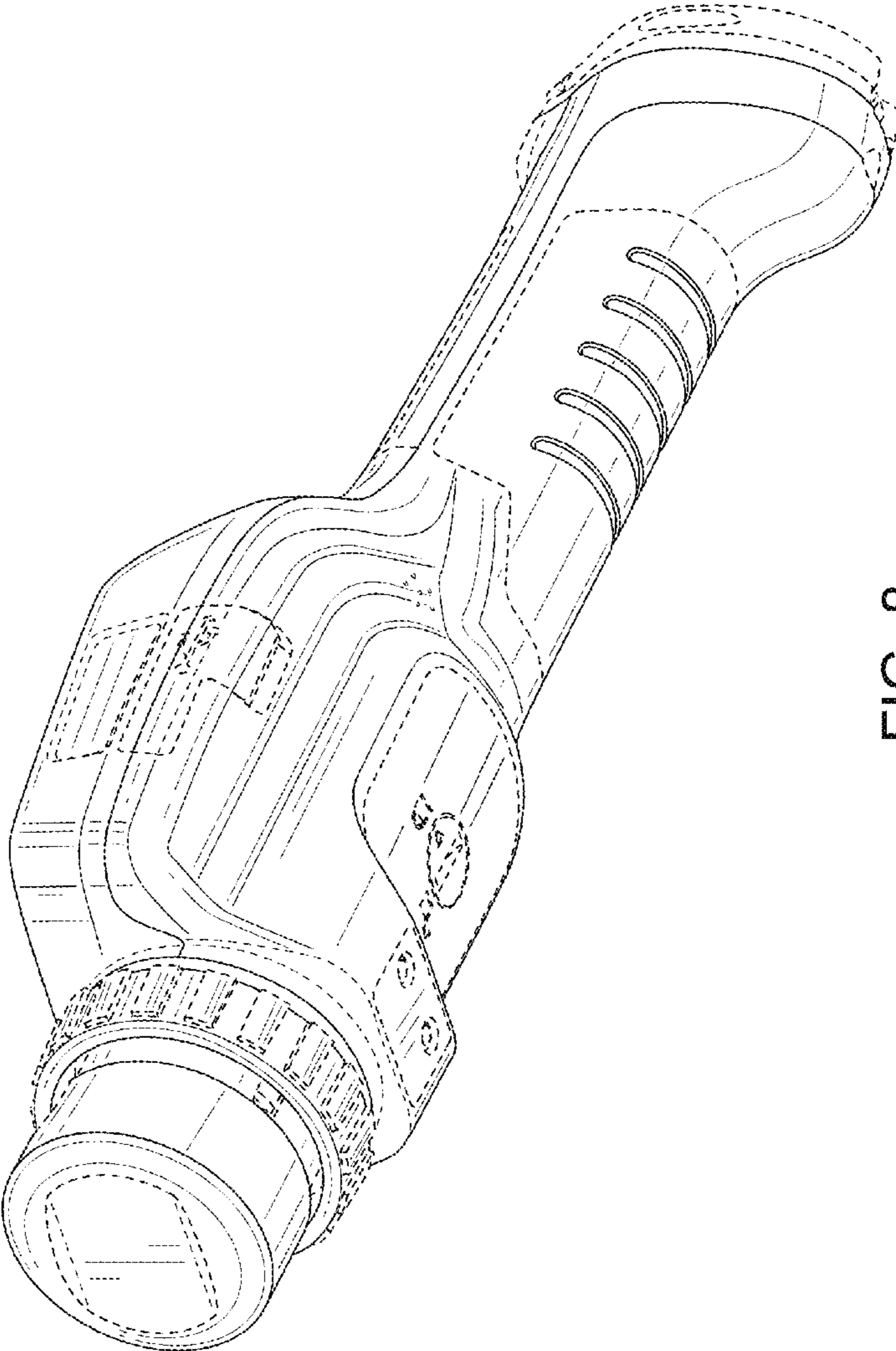


FIG. 8