



US00D849572S

(12) **United States Design Patent** (10) **Patent No.:** **US D849,572 S**
Hollas (45) **Date of Patent:** **** May 28, 2019**

(54) **GROUND LEVEL FOR USE WITH AN ABOVE-GROUND TRACKER**

D318,243 S * 7/1991 Piskula D10/69
D350,293 S * 9/1994 Vincent D10/69
D567,121 S * 4/2008 Zhang D10/69
9,664,513 B2 * 5/2017 Gongola G01C 9/24

(71) Applicant: **SUBSITE, LLC**, Perry, OK (US)

* cited by examiner

(72) Inventor: **Jeffrey Wayne Hollas**, Edmond, OK (US)

Primary Examiner — Antoine Duval Davis

(73) Assignee: **SUBSITE, LLC**, Perry, OK (US)

(74) *Attorney, Agent, or Firm* — Tomlinson McKinstry, P.C.

(**) Term: **15 Years**

(57) **CLAIM**

(21) Appl. No.: **29/634,540**

The ornamental design for a ground level for use with an above-ground tracker, as shown and described.

(22) Filed: **Jan. 23, 2018**

DESCRIPTION

(51) **LOC (11) Cl.** **10-04**

(52) **U.S. Cl.**

USPC **D10/69**

(58) **Field of Classification Search**

USPC D10/69

CPC ... G01C 9/24; G01C 9/26; G01C 9/28; G01C 9/30; G01C 9/32; G01C 9/34; G01C 9/36

See application file for complete search history.

FIG. 1 is a top right perspective view of a ground level for use with an above-ground tracker, showing my design.

FIG. 2 is a bottom right perspective view thereof.

FIG. 3 is a top view thereof.

FIG. 4 is a bottom view thereof.

FIG. 5 is a front plan view thereof.

FIG. 6 is a back plan view thereof.

FIG. 7 is a right side plan view thereof; and,

FIG. 8 is a left side plan view thereof.

The broken line showing of elements is included for the purposes of illustrating portions of the ground level for use with an above-ground tracker and form no part of the claimed design.

(56) **References Cited**

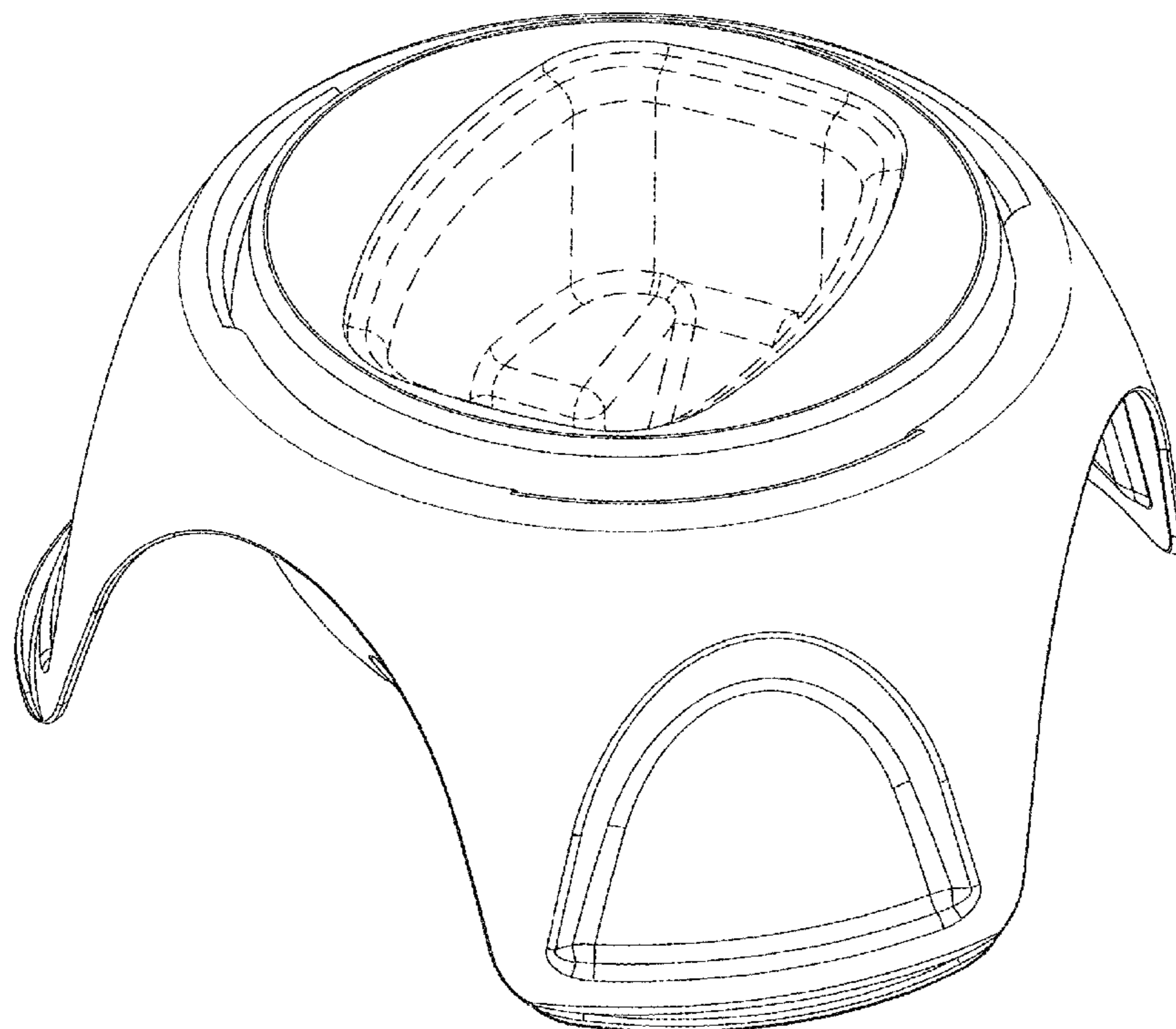
U.S. PATENT DOCUMENTS

2,356,311 A * 8/1944 Geier G01C 9/36

33/390

D249,657 S * 9/1978 Griffiths 33/390

1 Claim, 8 Drawing Sheets



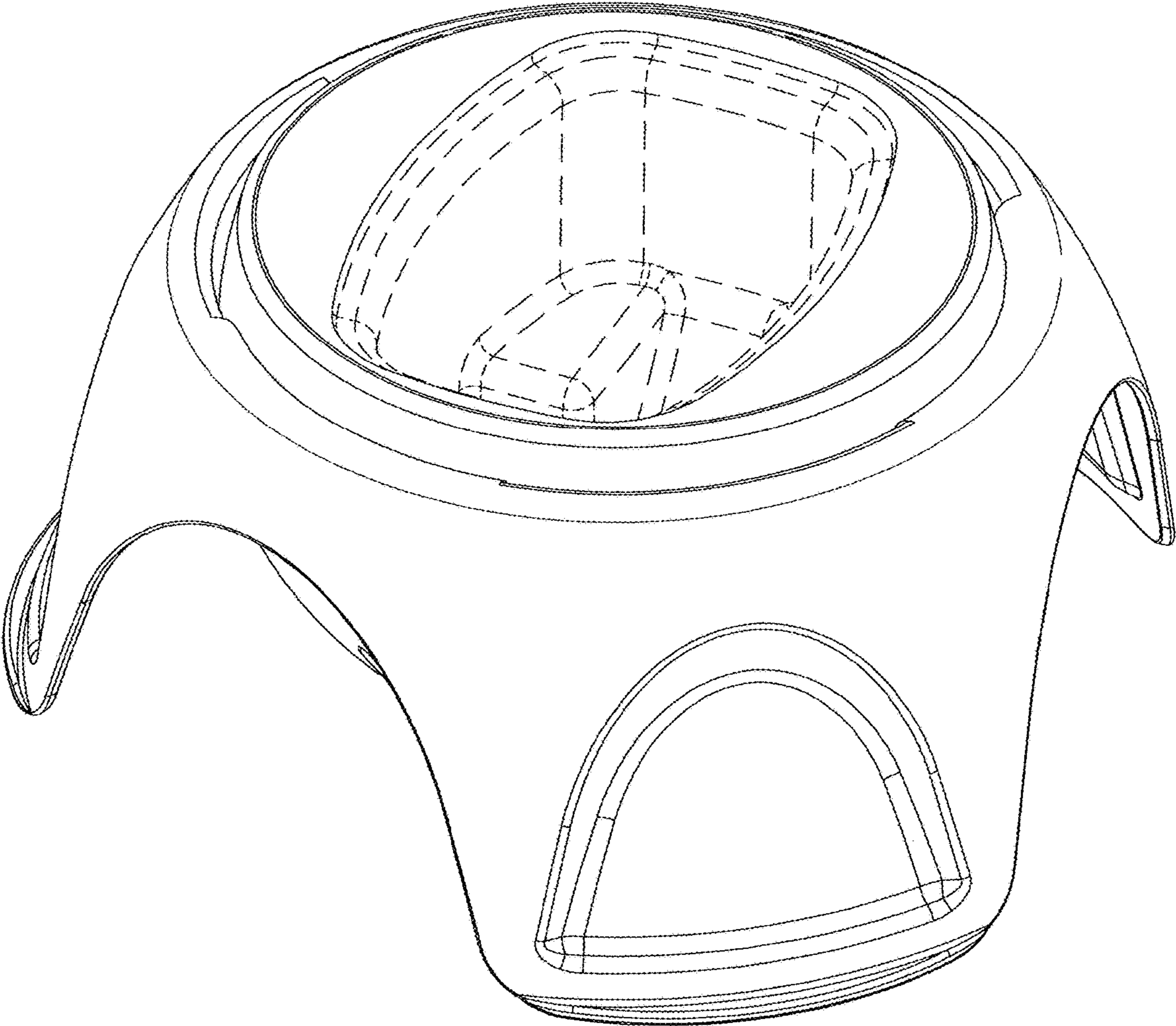


FIG. 1

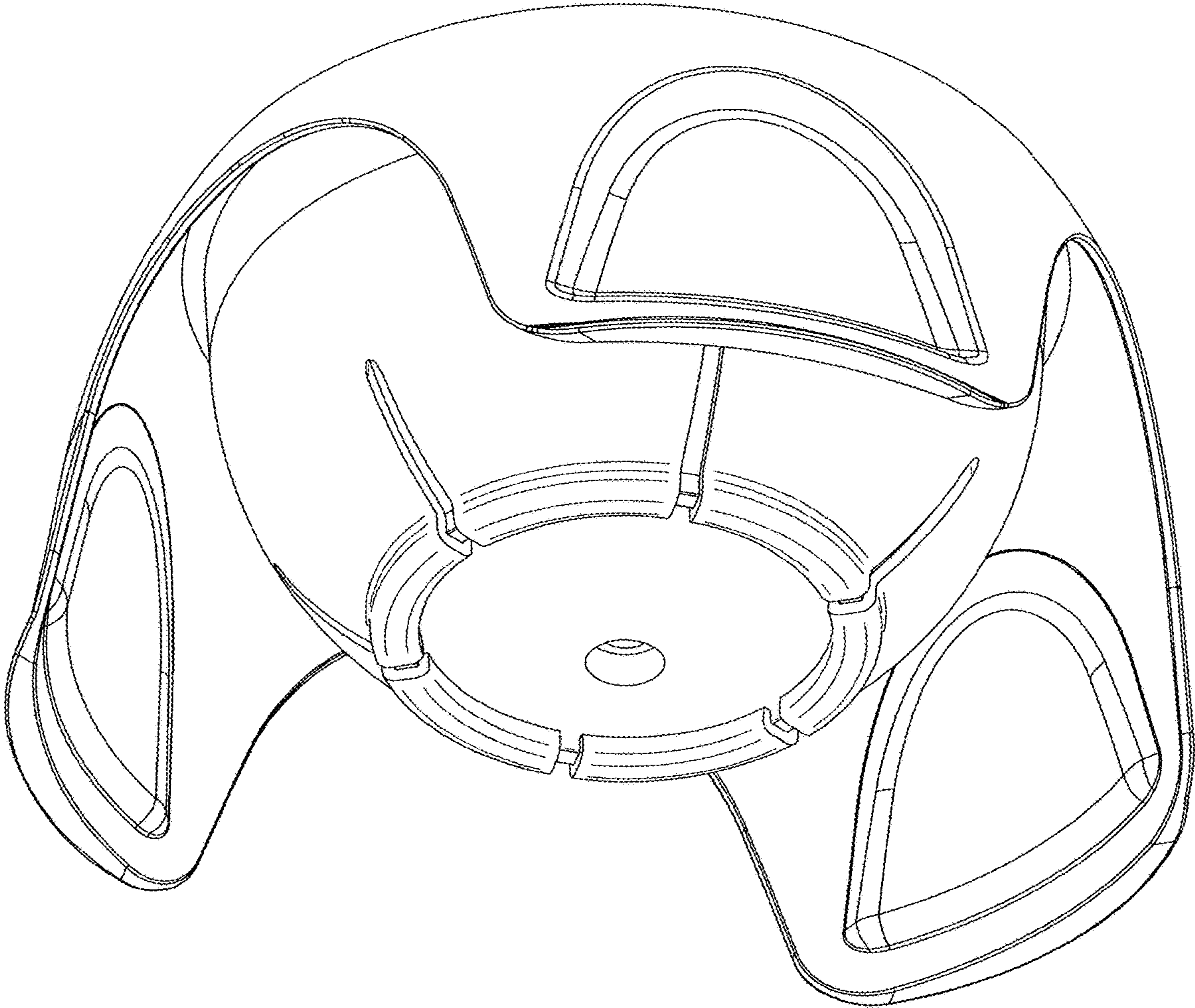


FIG. 2

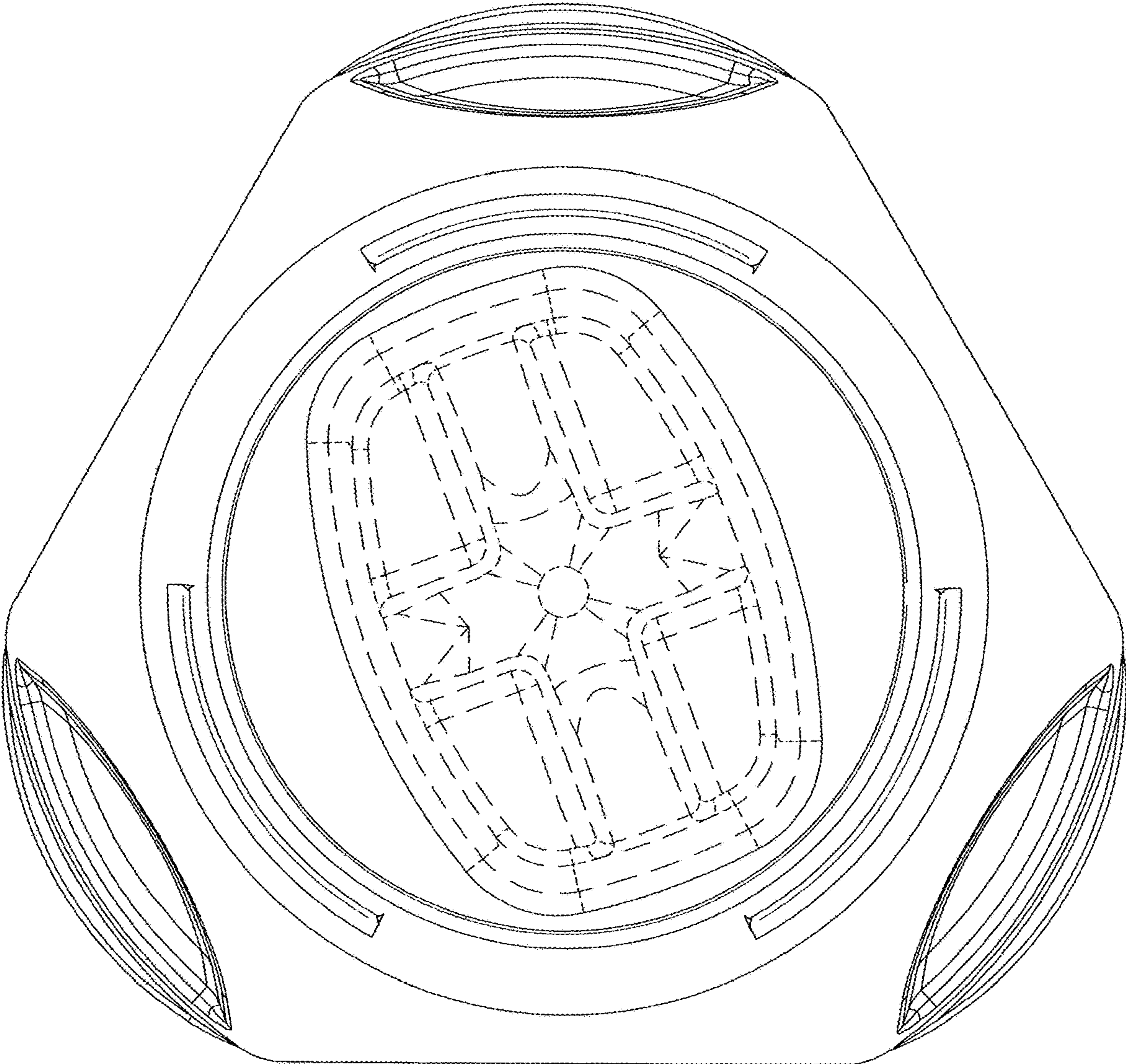


FIG. 3

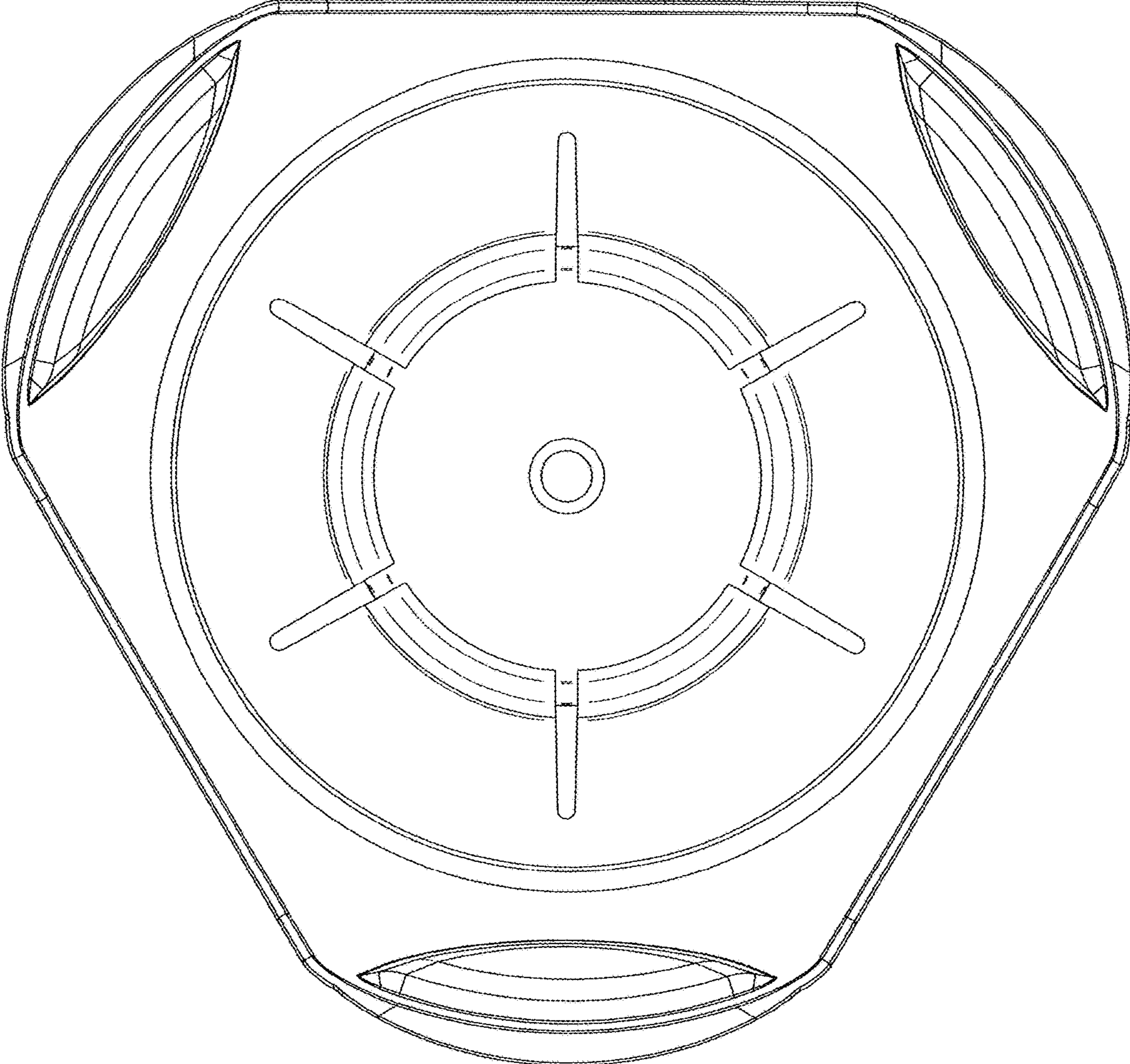


FIG. 4

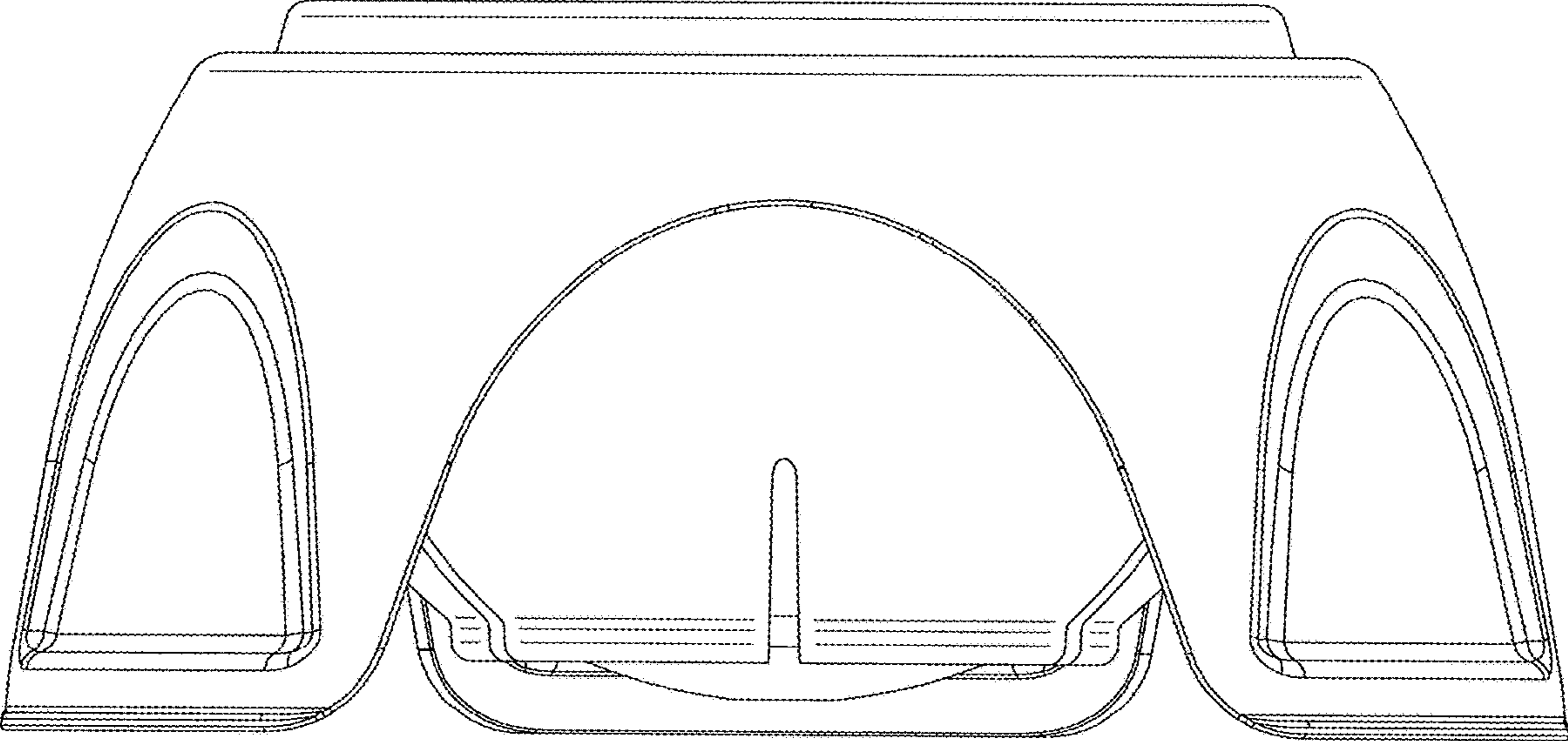


FIG. 5

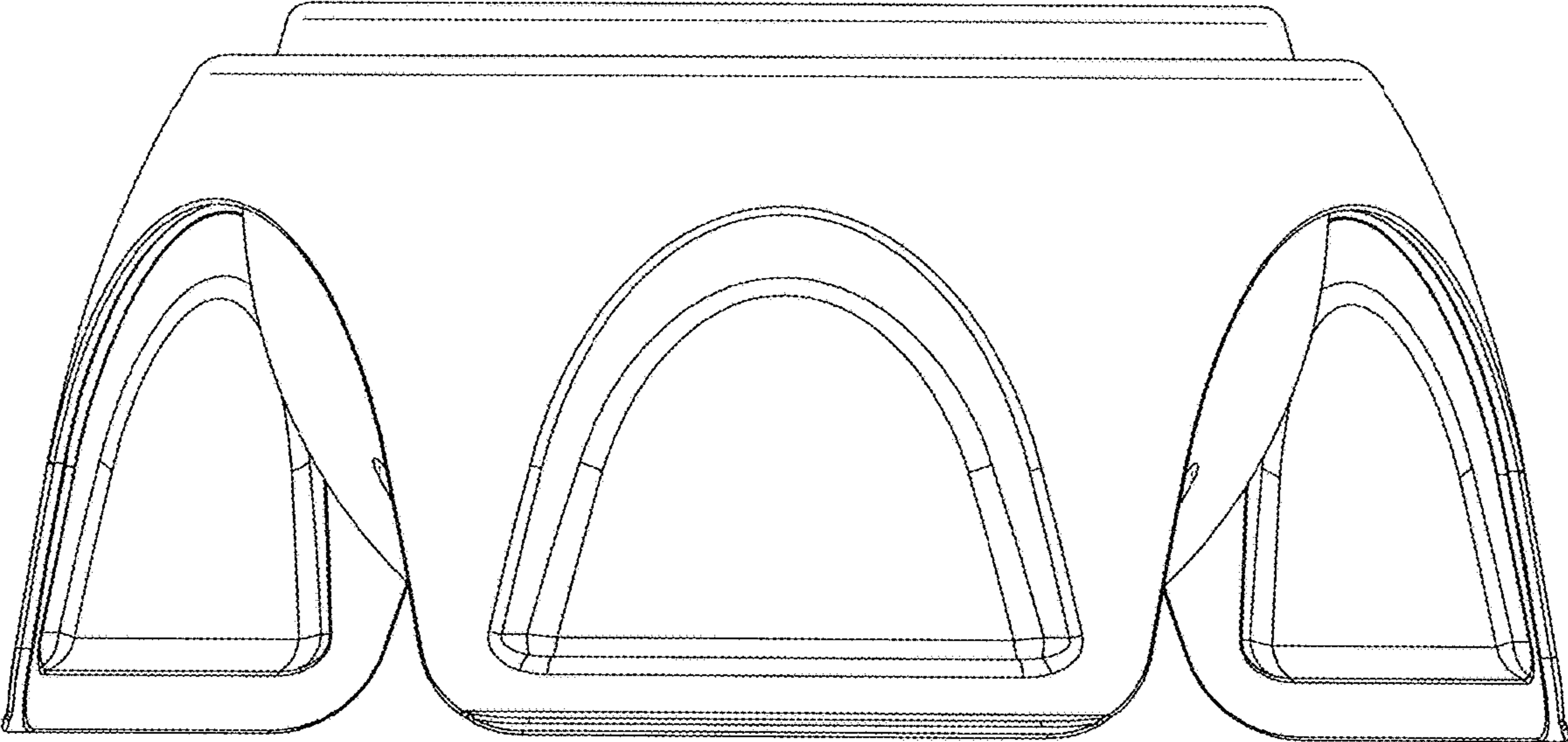


FIG. 6

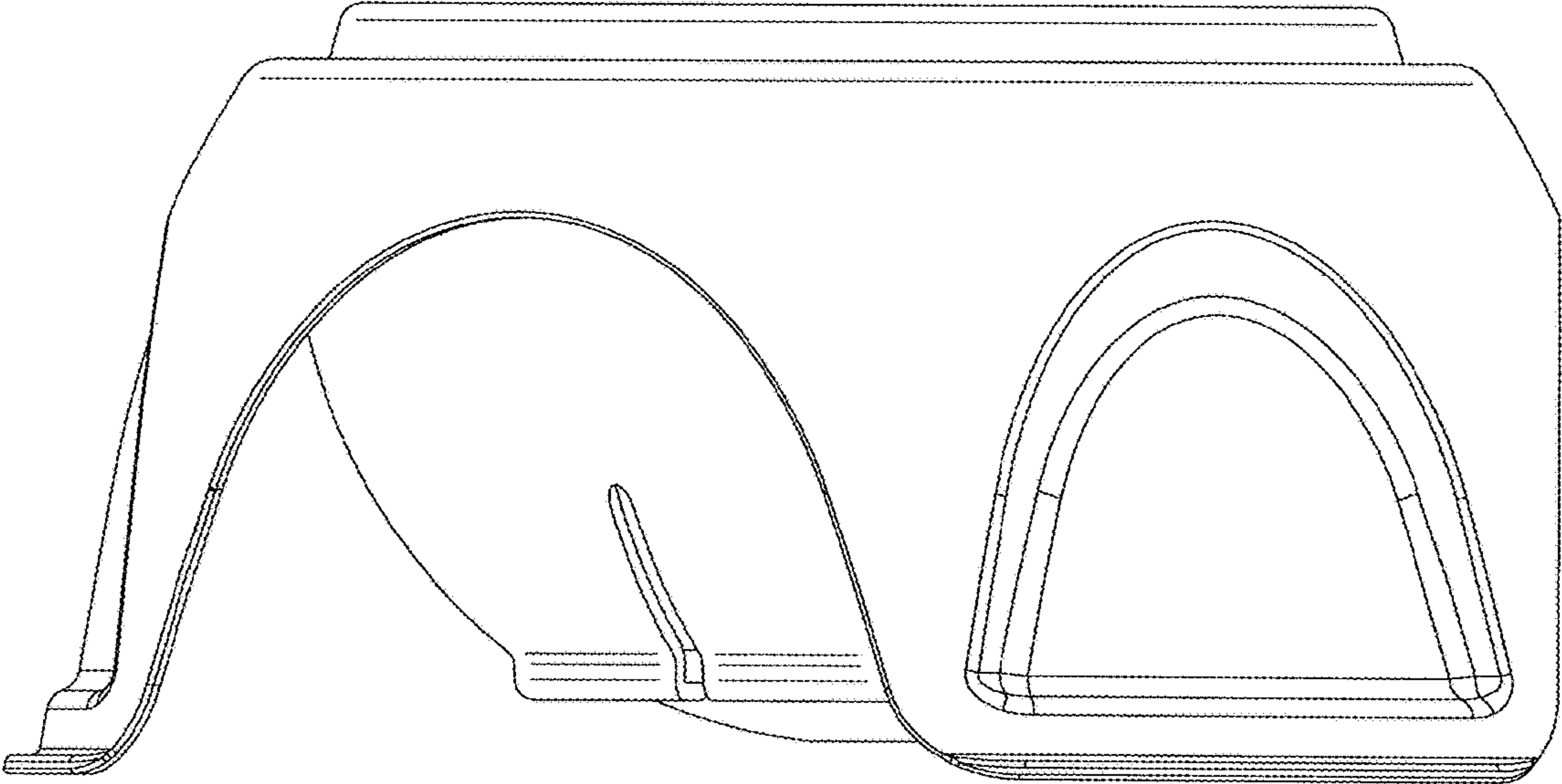


FIG. 7

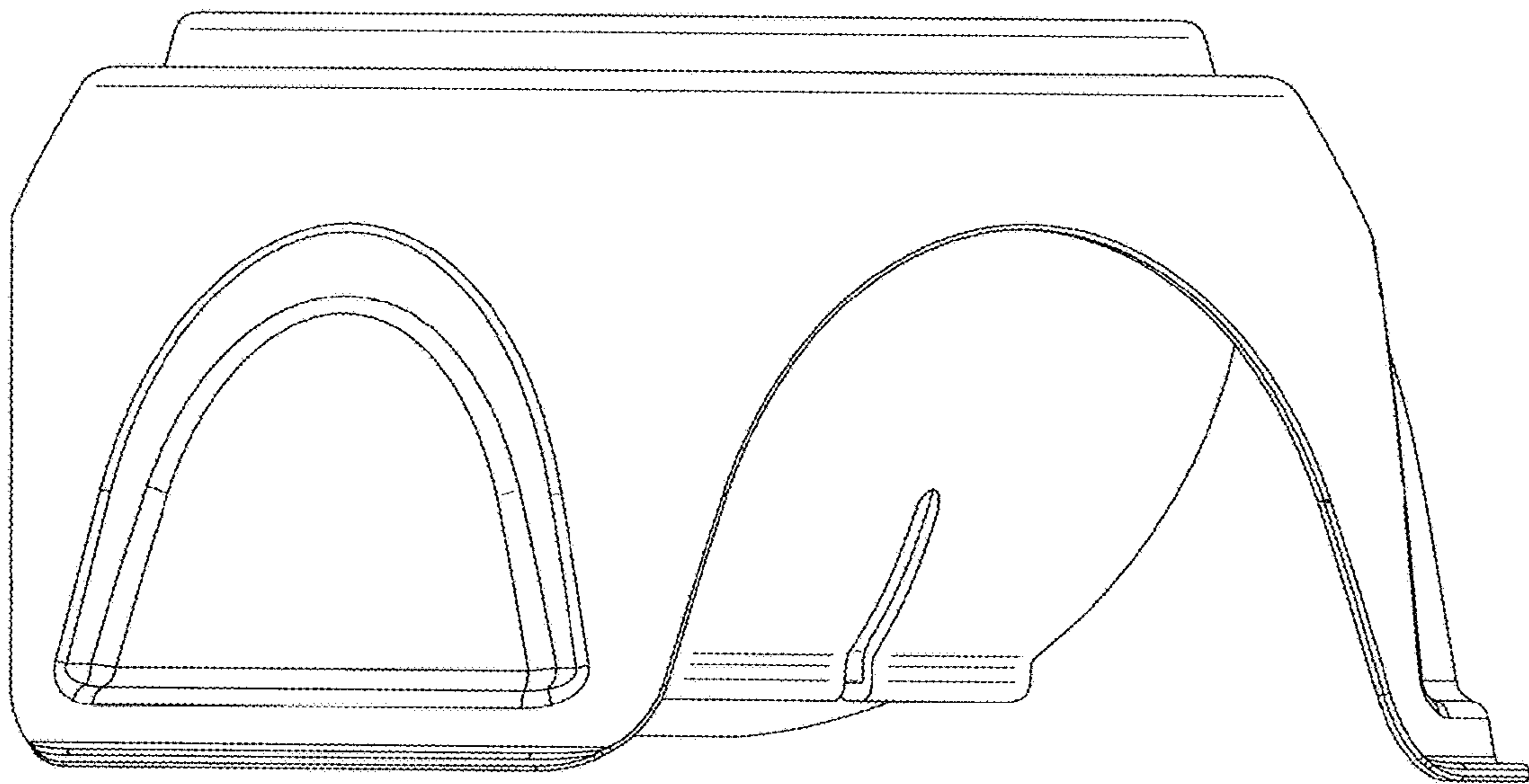


FIG. 8