



US00D849568S

(12) **United States Design Patent**
Klein et al.

(10) **Patent No.:** **US D849,568 S**

(45) **Date of Patent:** **** May 28, 2019**

(54) **BIOREACTOR CONTROLLER**

(71) Applicant: **LIFE TECHNOLOGIES CORPORATION**, Carlsbad, CA (US)

(72) Inventors: **Sandro Klein**, Irvine, CA (US); **Xin Mathers**, Poway, CA (US); **Wei Fuh Teo**, Singapore (SG)

(73) Assignee: **Life Technologies Corporation**, Carlsbad, CA (US)

(**) Term: **15 Years**

(21) Appl. No.: **29/611,127**

(22) Filed: **Jul. 19, 2017**

(51) **LOC (11) Cl.** **10-04**

(52) **U.S. Cl.**
USPC **D10/49; D10/75; D13/162**

(58) **Field of Classification Search**
USPC D10/49, 75; D13/162, 162.1, 163, 164
CPC C12P 7/065; Y02E 50/17; C12M 41/22;
C12M 23/02; C12M 23/24; C12M 29/00;
C12M 41/14; C12M 41/26; C12M 41/34;
C12M 41/48; C12M 21/00; C12M 21/02;
C12M 21/04; C12M 21/06; C12M 21/08;
C12M 21/10; C12M 21/12; C12M 21/14;
C12M 21/16; C12M 21/18; C12M
231/00; C12M 23/52; C12M 23/54;
C12M 23/56; C12M 23/58; C12M 23/44;
C12Q 3/00; G05D 21/02; G05B 15/02
See application file for complete search history.

(56) **References Cited**

U.S. PATENT DOCUMENTS

D251,114 S * 2/1979 Potts D10/75

D293,173 S * 12/1987 Chester D13/163
D704,078 S * 5/2014 Mueller B01L 7/52
D10/49
2017/0072398 A1* 3/2017 Boo B01L 7/52

* cited by examiner

Primary Examiner — Antoine Duval Davis

(74) *Attorney, Agent, or Firm* — Michael J. Smith

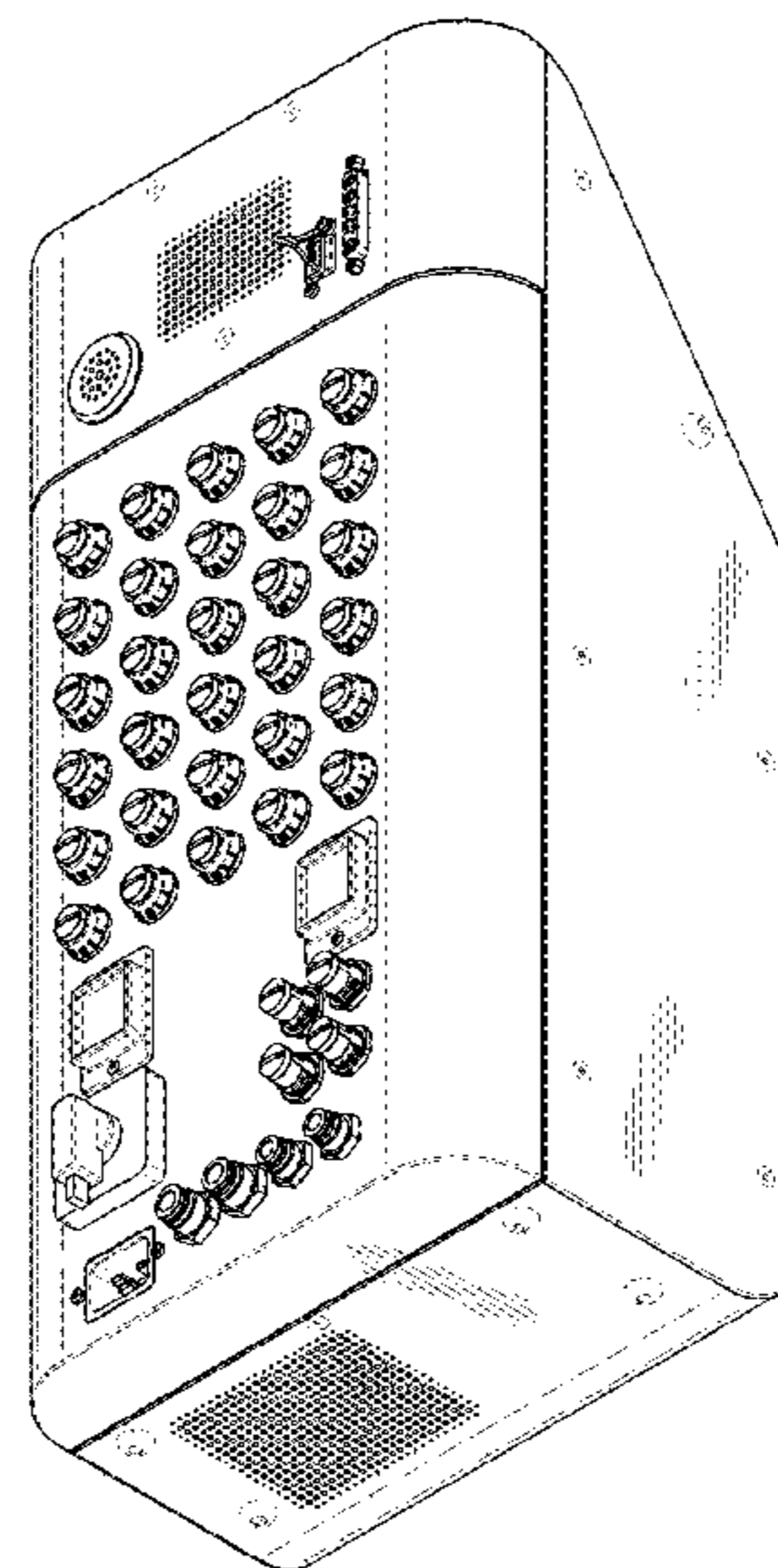
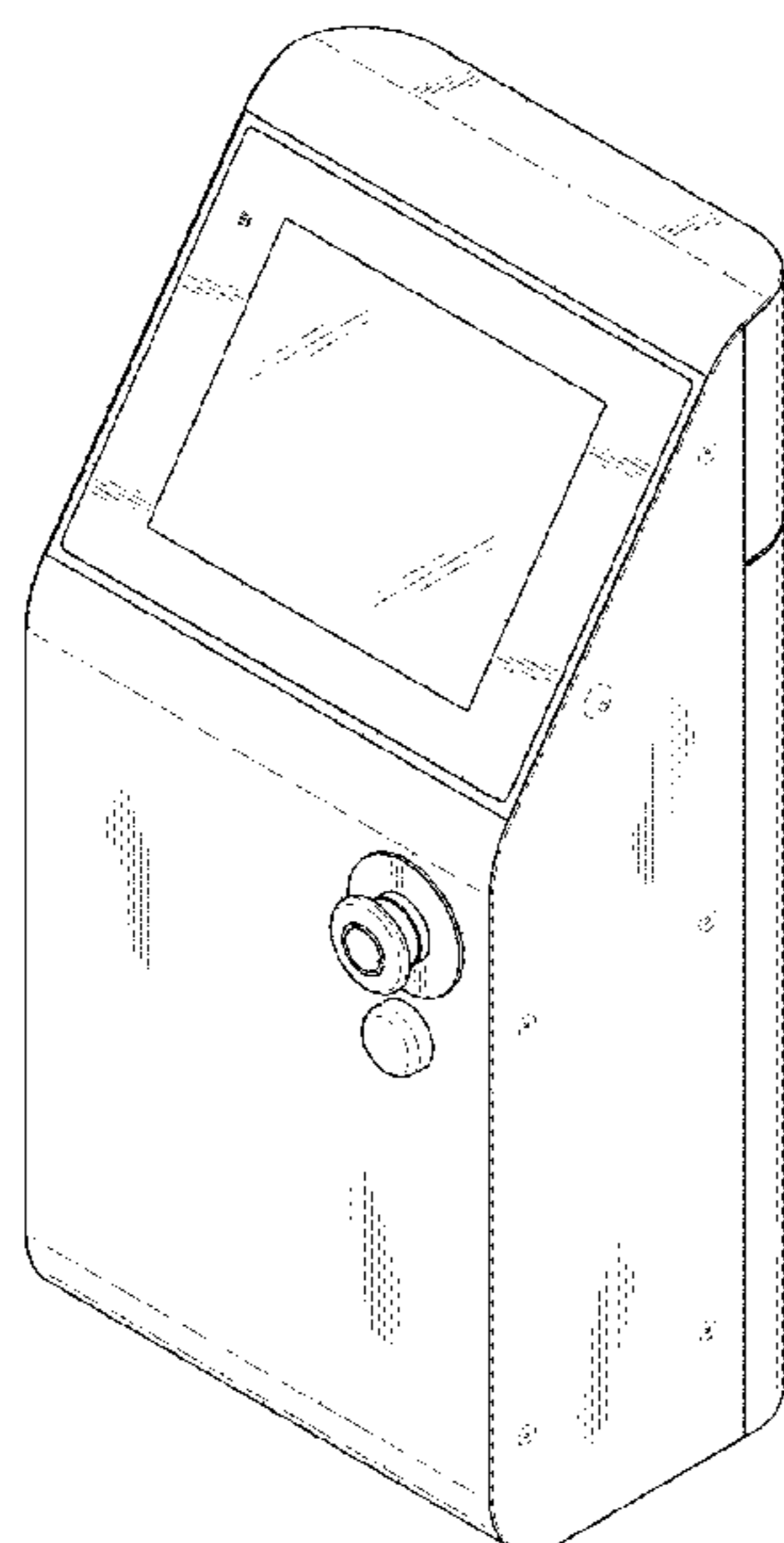
(57) **CLAIM**

The ornamental design for a bioreactor controller, as shown and described.

DESCRIPTION

FIG. 1 is a front-perspective view of a first embodiment of a bioreactor controller for our new design.
FIG. 2 is a rear-perspective view of a first embodiment of a bioreactor controller for our new design.
FIG. 3 is a front view of a first embodiment of a bioreactor controller for our new design.
FIG. 4 is a rear view of a first embodiment of a bioreactor controller for our new design.
FIG. 5 is a right-side view of a first embodiment of a bioreactor controller for our new design.
FIG. 6 is a left-side view of a first embodiment of a bioreactor controller for our new design.
FIG. 7 is a top view of a first embodiment of a bioreactor controller for our new design; and,
FIG. 8 is a bottom view of a first embodiment of a bioreactor controller for our new design.
The portions of the features depicted in broken lines are not part of the claimed design.

1 Claim, 8 Drawing Sheets



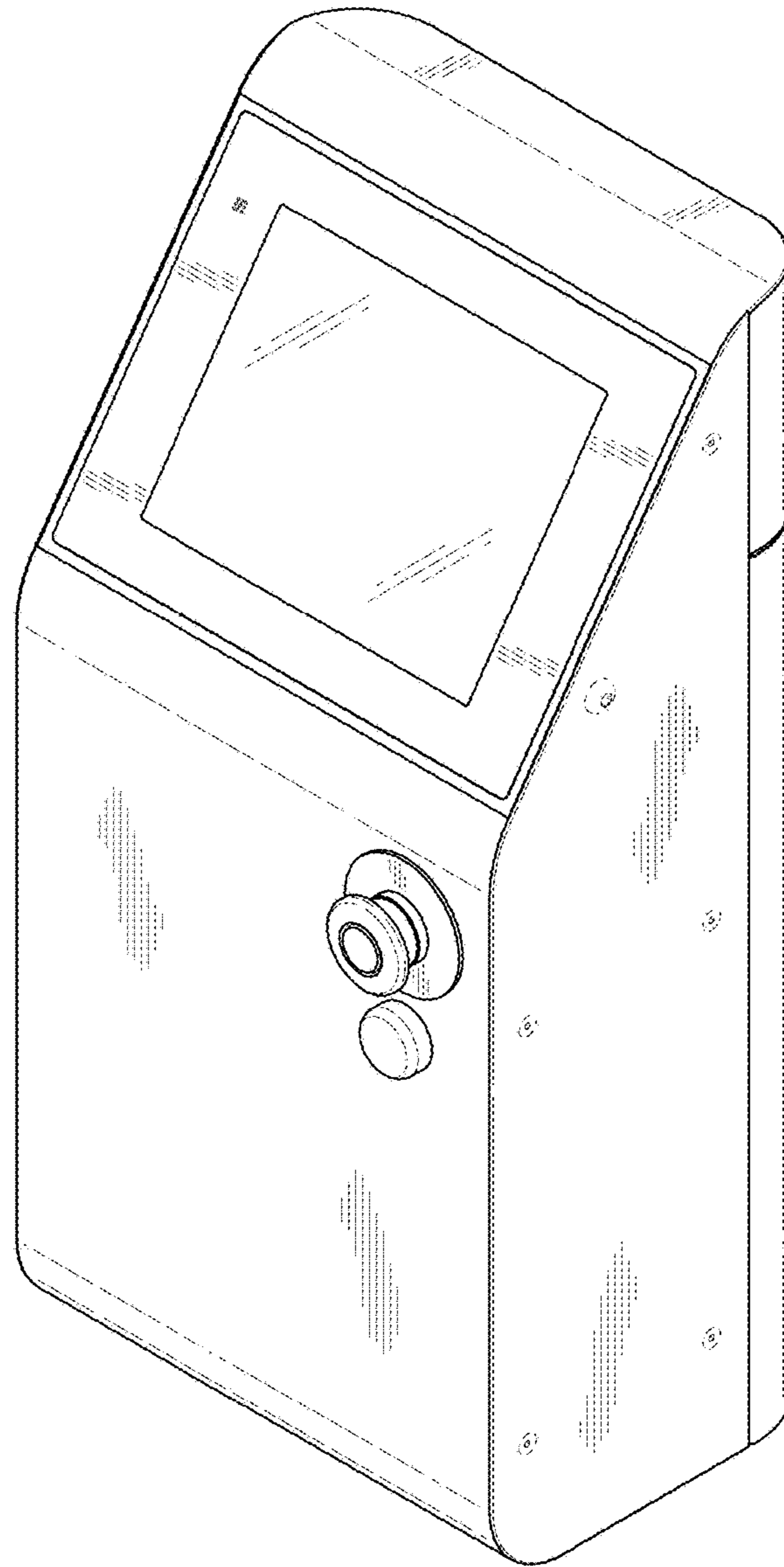


FIG. 1

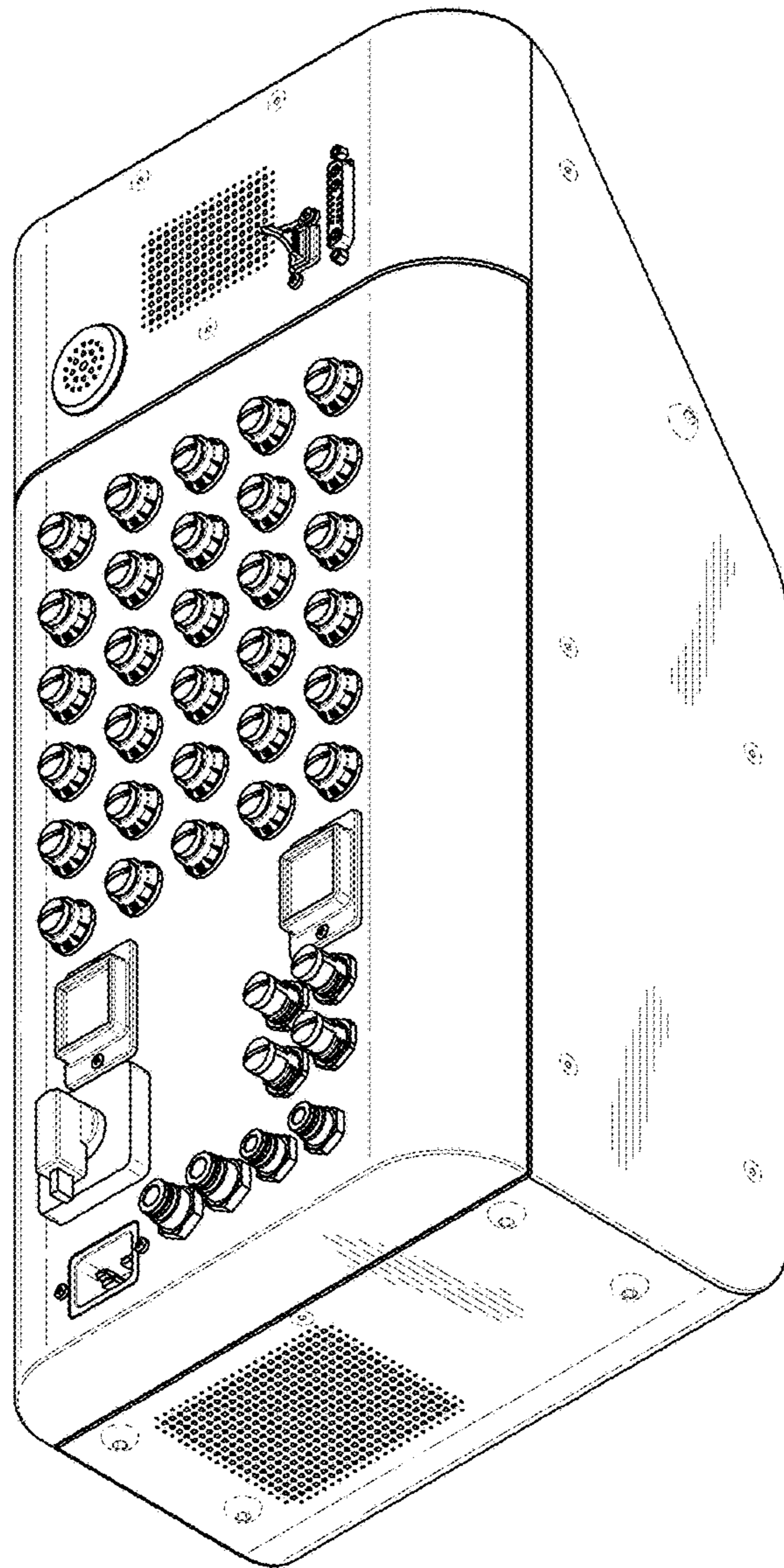


FIG. 2

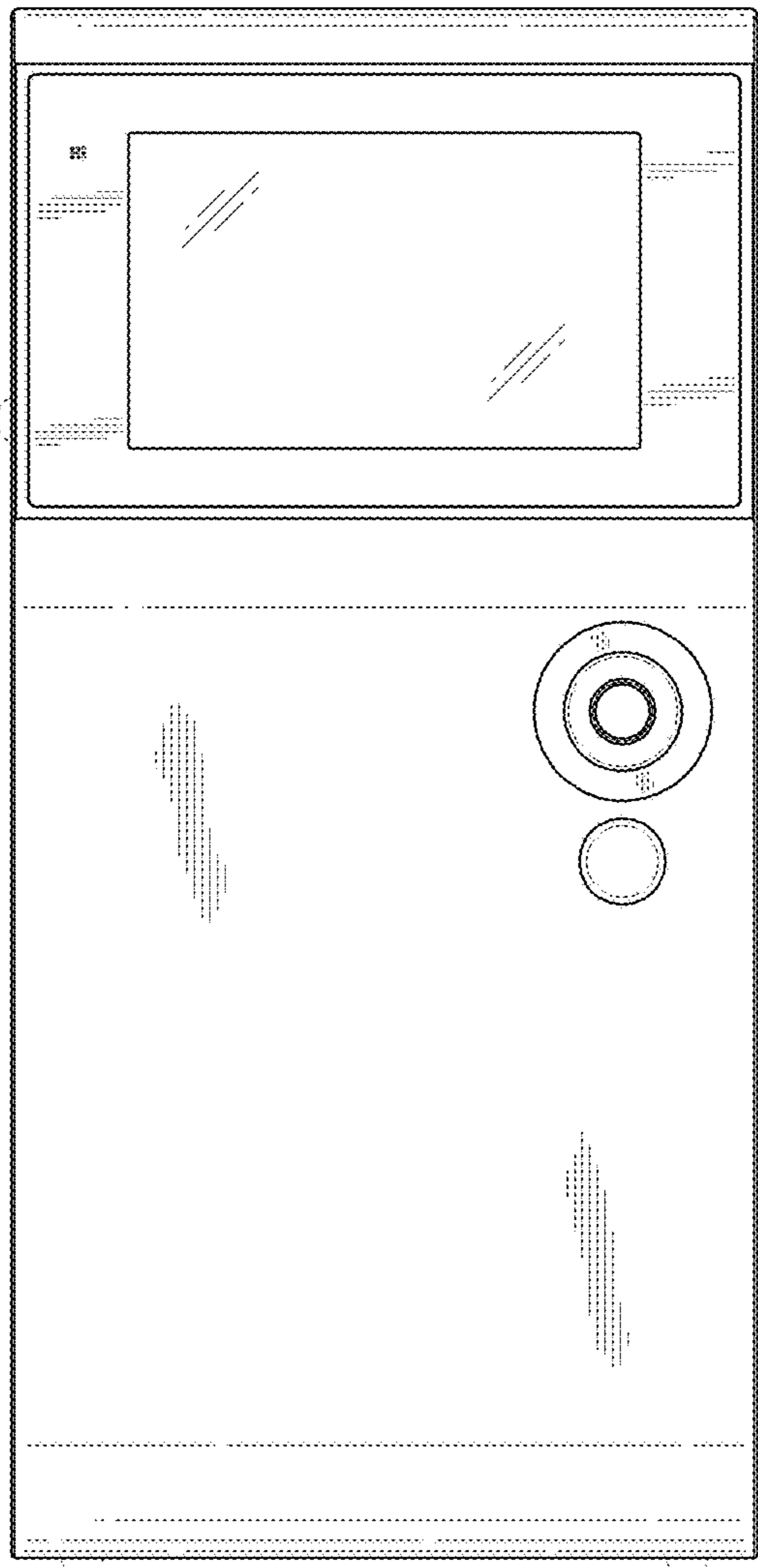


FIG. 3

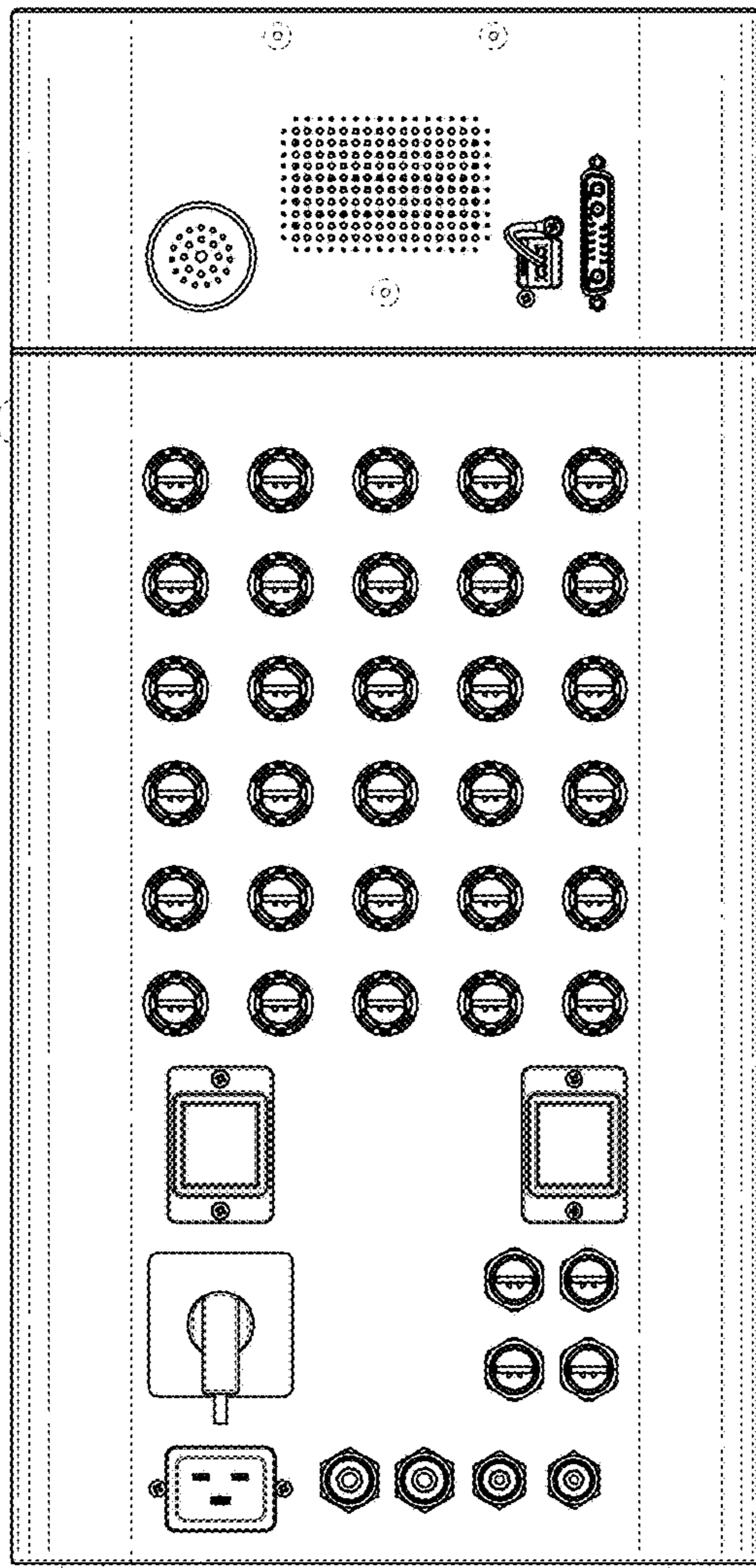


FIG. 4

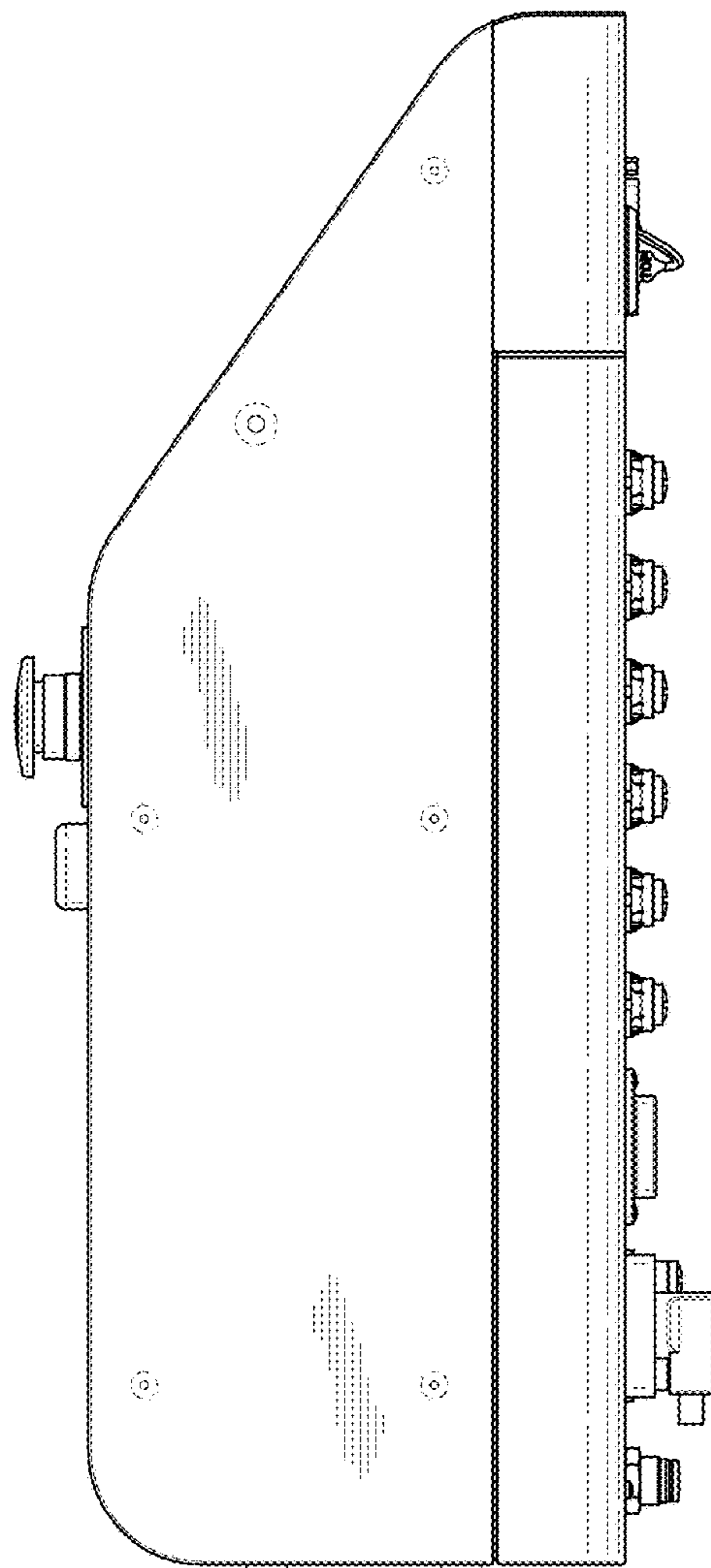


FIG. 5

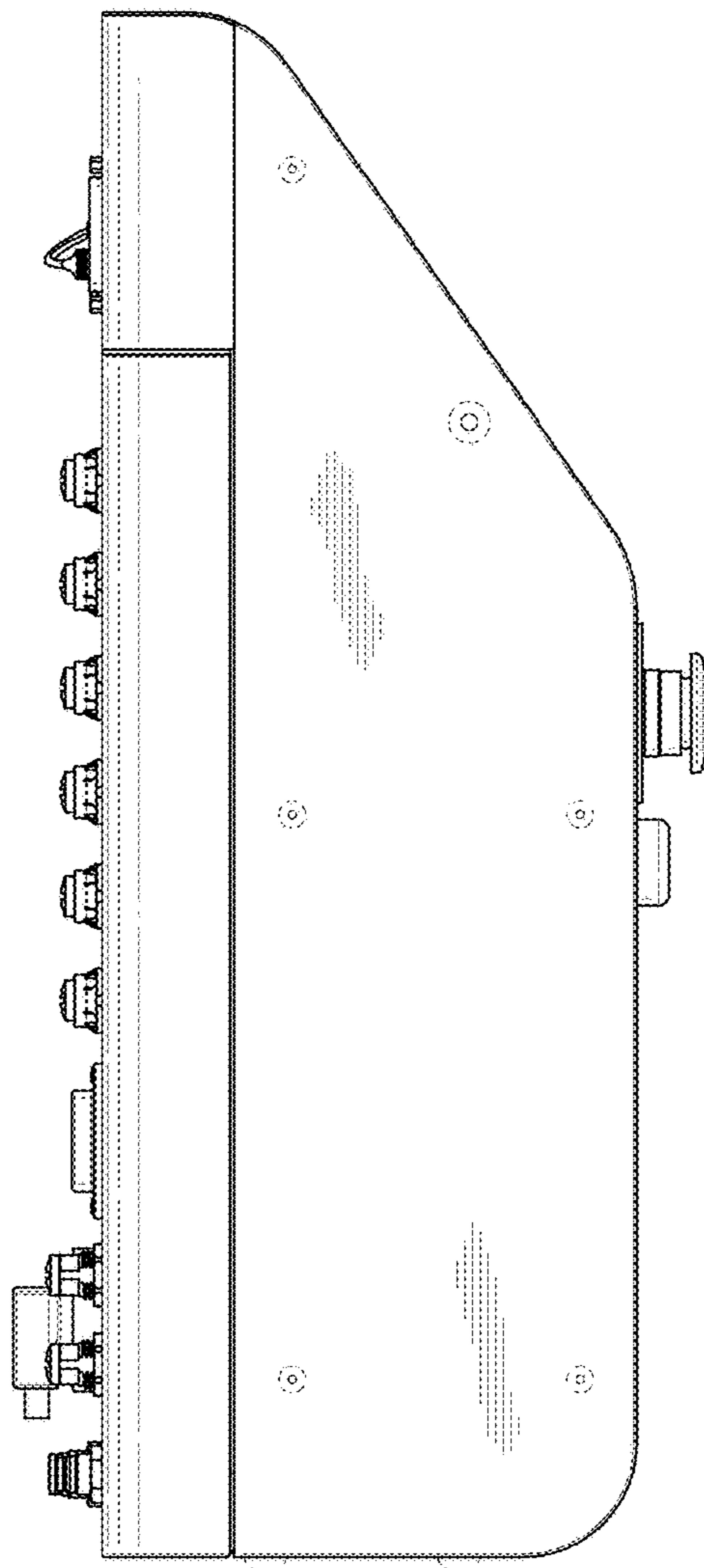


FIG. 6

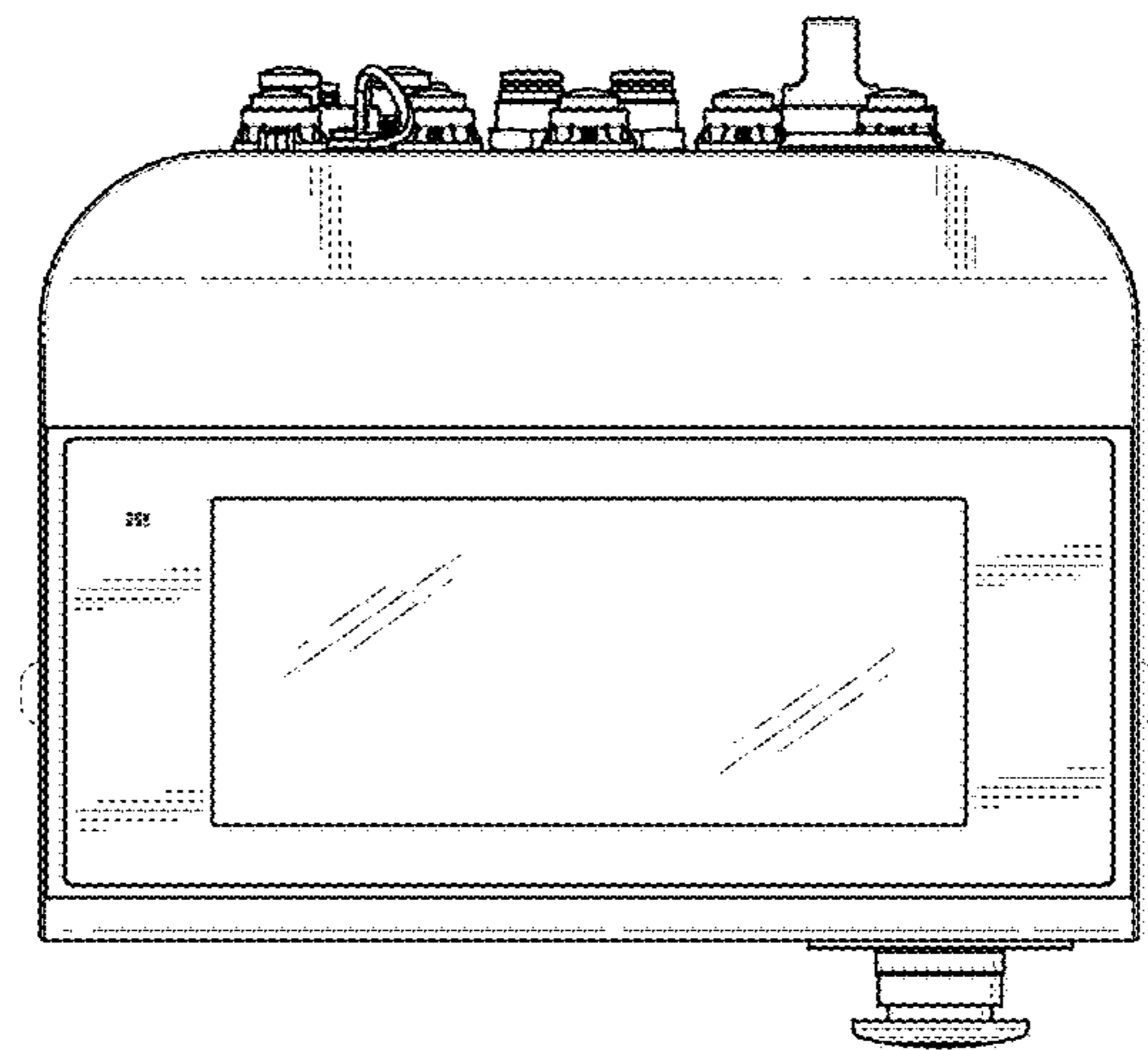


FIG. 7

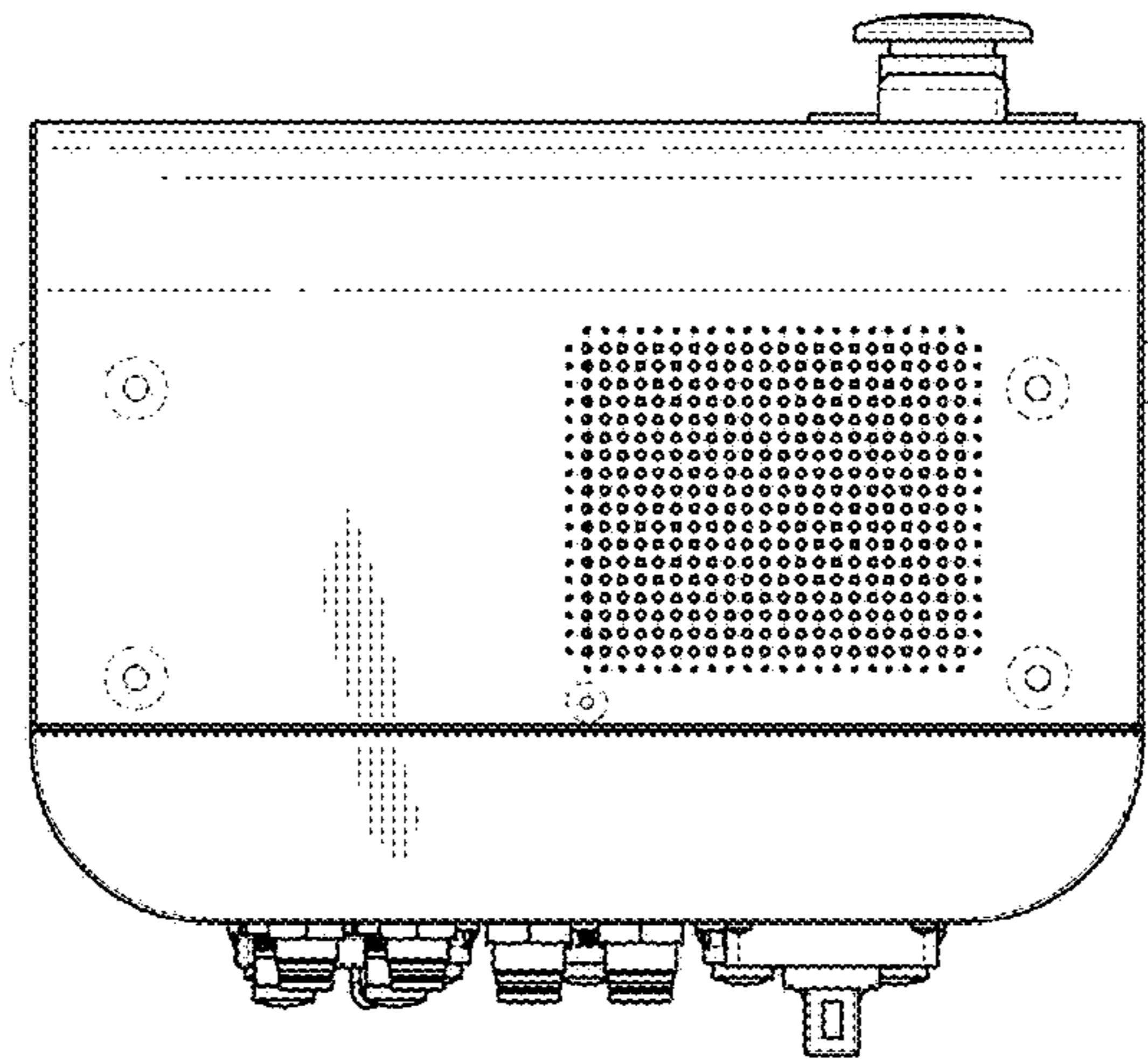


FIG. 8