



US00D849567S

(12) **United States Design Patent** (10) **Patent No.:** **US D849,567 S**  
**Klintworth** (45) **Date of Patent:** **\*\* May 28, 2019**

(54) **ELECTRONIC INSTRUMENTS CASING**  
(71) Applicant: **MECALC (PTY) LIMITED**, Gauteng (ZA)  
(72) Inventor: **Gilmer Conrad Klintworth**, Gauteng (ZA)  
(73) Assignee: **MECALC (PTY) LIMITED** (ZA)

D786,707 S \* 5/2017 Oommen ..... D10/46  
D786,807 S \* 5/2017 Murphy ..... D13/179  
D786,811 S \* 5/2017 Zheng ..... D13/182  
D793,350 S \* 8/2017 Kenchappa ..... D13/179  
D793,400 S \* 8/2017 Lin ..... D13/179  
D798,830 S \* 10/2017 Anzai ..... D13/179  
D798,831 S \* 10/2017 Anzai ..... D13/179  
D813,929 S \* 3/2018 van Hoff ..... D16/219  
2003/0081382 A1 \* 5/2003 Lin ..... H01L 23/427  
361/697

(\*\*) Term: **15 Years**

**OTHER PUBLICATIONS**

(21) Appl. No.: **29/608,308**

Youtube, "PAK & Muller-BBM VibroAkustik Systeme—PAKMKII Movie", uploaded on May 11, 2015. (<https://www.youtube.com/watch?v=N3JrJG1JVKA>).\*

(22) Filed: **Jun. 21, 2017**

\* cited by examiner

(30) **Foreign Application Priority Data**

Dec. 21, 2016 (ZA) ..... F2016/2034

*Primary Examiner* — Jennifer Rivard

(51) **LOC (11) Cl.** ..... **10-04**

*Assistant Examiner* — April Rivas

(52) **U.S. Cl.**  
USPC ..... **D10/46**

(74) *Attorney, Agent, or Firm* — Schmeiser, Olsen & Watts, LLP

(58) **Field of Classification Search**  
USPC ..... D13/179, 122, 182; D26/67; D14/440, D14/349, 353, 358; D10/70, 62, 46  
CPC .. H05K 7/20; H05K 7/20172; H05K 7/20127; H05K 7/20336; H05K 7/202; H05K 7/20272; H01L 23/34; H01L 23/3672; H01L 23/40; H01L 23/4006; H01L 23/4093; F28D 15/0208; F28D 15/04  
See application file for complete search history.

(57) **CLAIM**

The ornamental design for an electronic instruments casing, as shown and described.

(56) **References Cited**

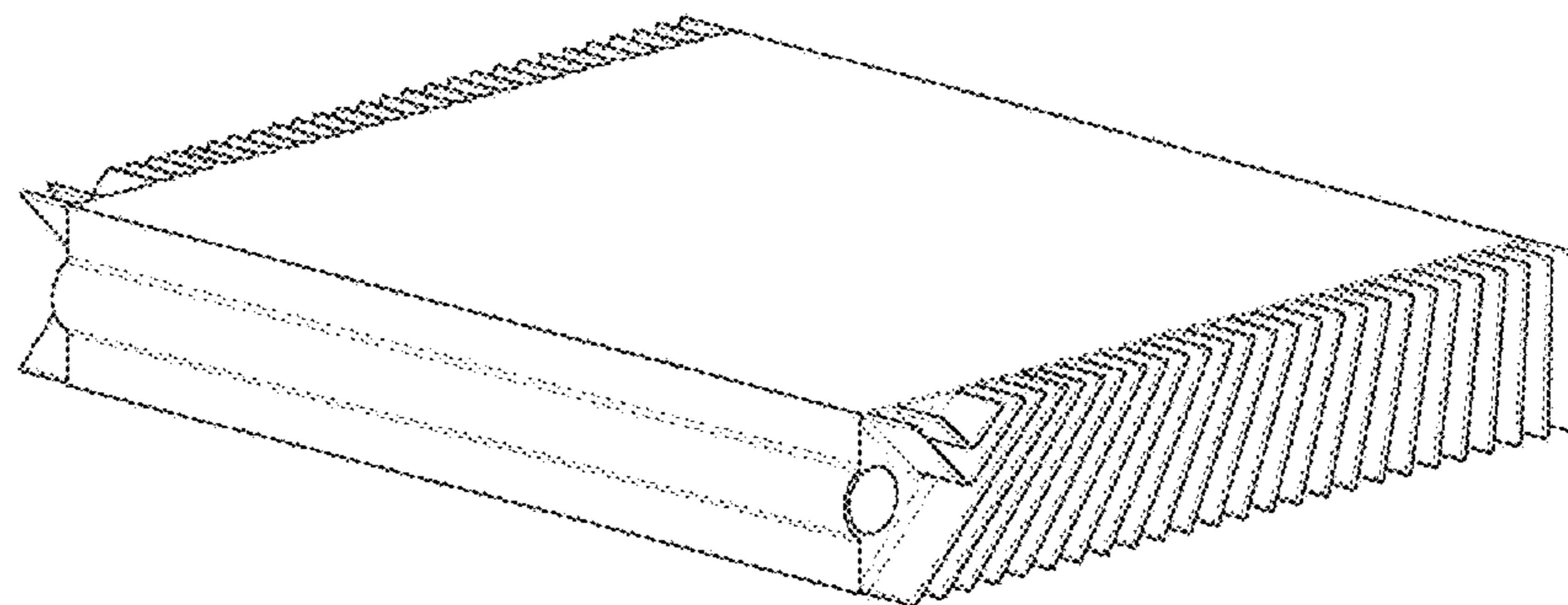
**U.S. PATENT DOCUMENTS**

D369,561 S \* 5/1996 Green ..... D10/46  
6,152,214 A \* 11/2000 Wagner ..... H01L 23/467  
165/121  
D567,763 S \* 4/2008 Yasumoto ..... D13/122  
D736,657 S \* 8/2015 Detering ..... D10/46

**DESCRIPTION**

FIG. 1 is a first perspective view of an electronic instruments casing;  
FIG. 2 is a second perspective view thereof;  
FIG. 3 is a front view thereof;  
FIG. 4 is a top view thereof;  
FIG. 5 is a right side view thereof;  
FIG. 6 is a left side view thereof;  
FIG. 7 is a rear view thereof; and,  
FIG. 8 is a bottom view thereof.

**1 Claim, 8 Drawing Sheets**



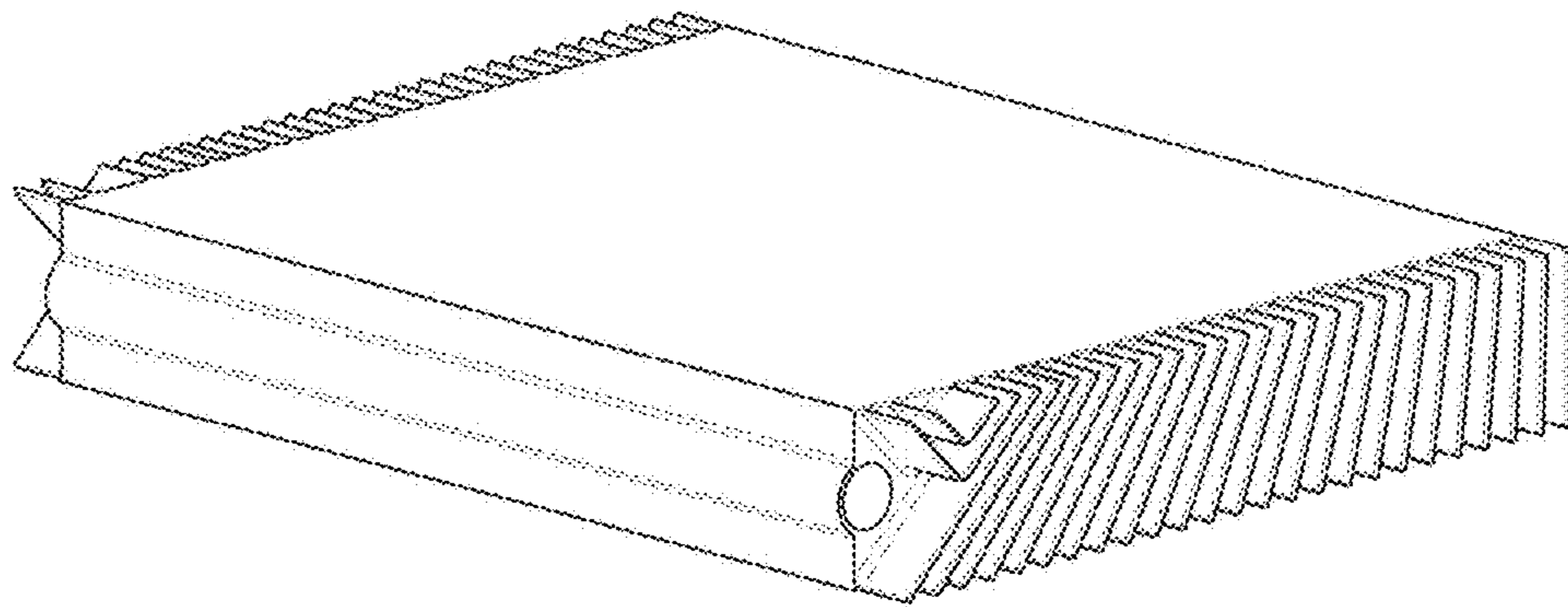


Fig. 1

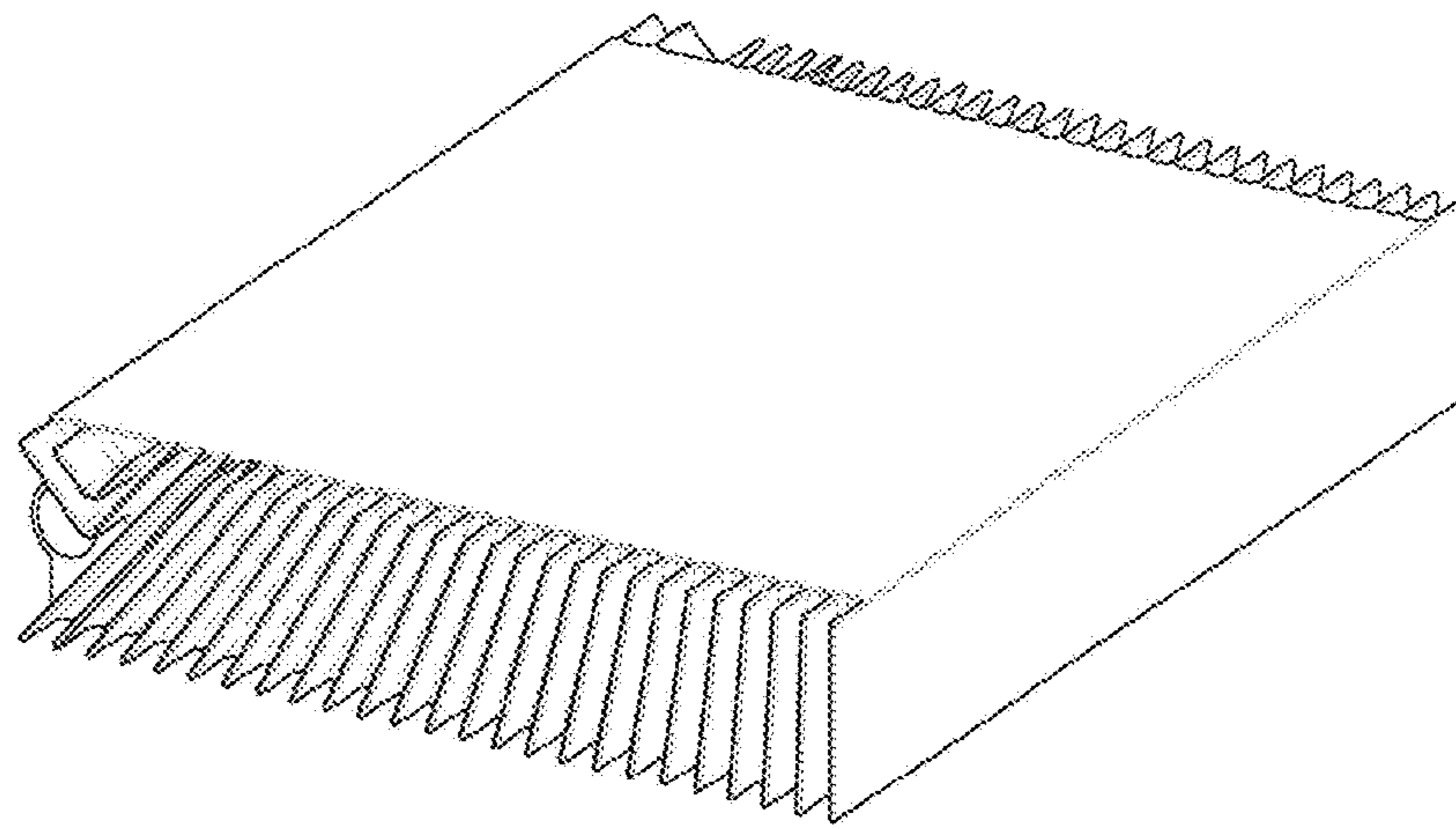


Fig. 2



Fig. 3

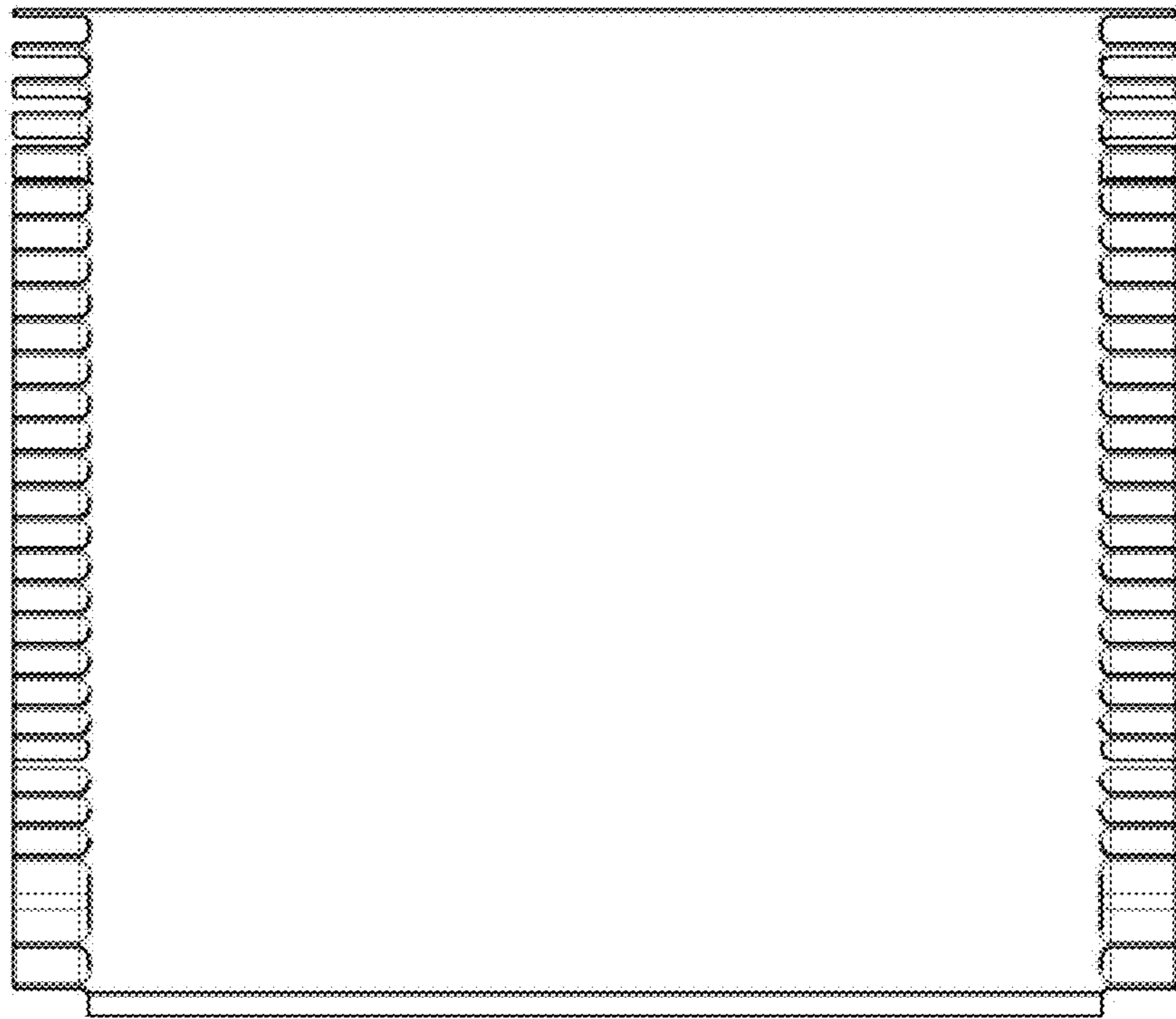


Fig.4

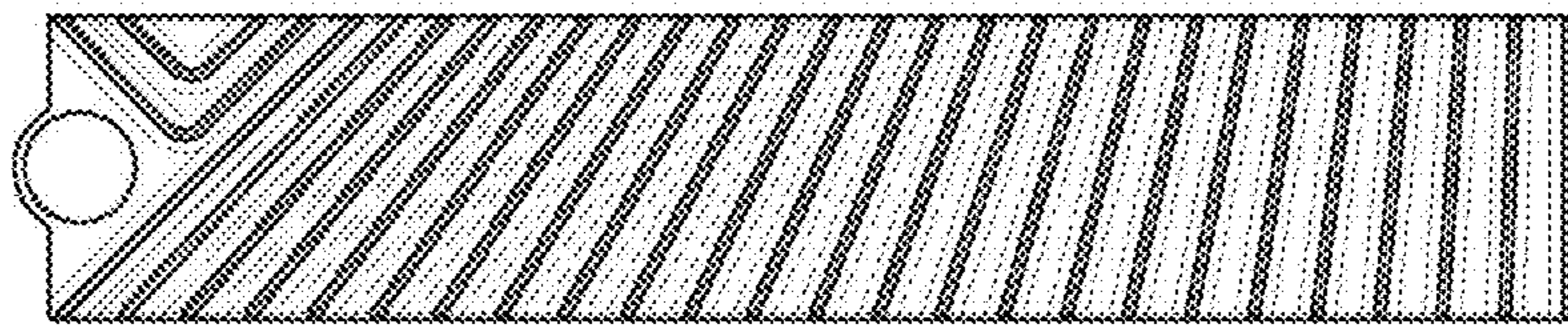


Fig.5

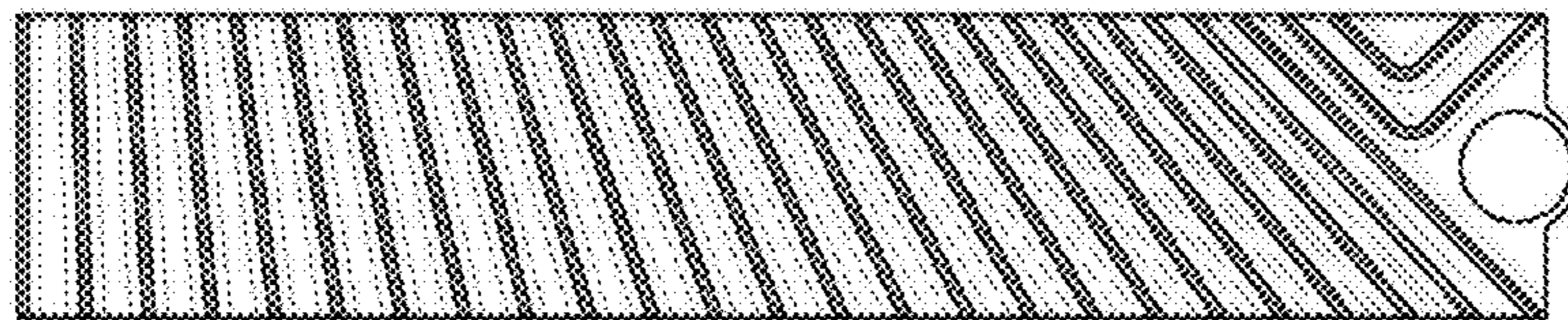


Fig.6

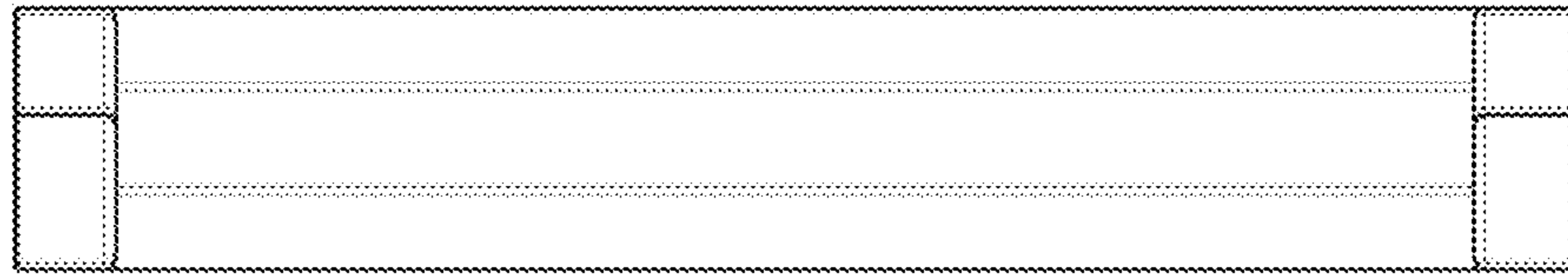


Fig.7



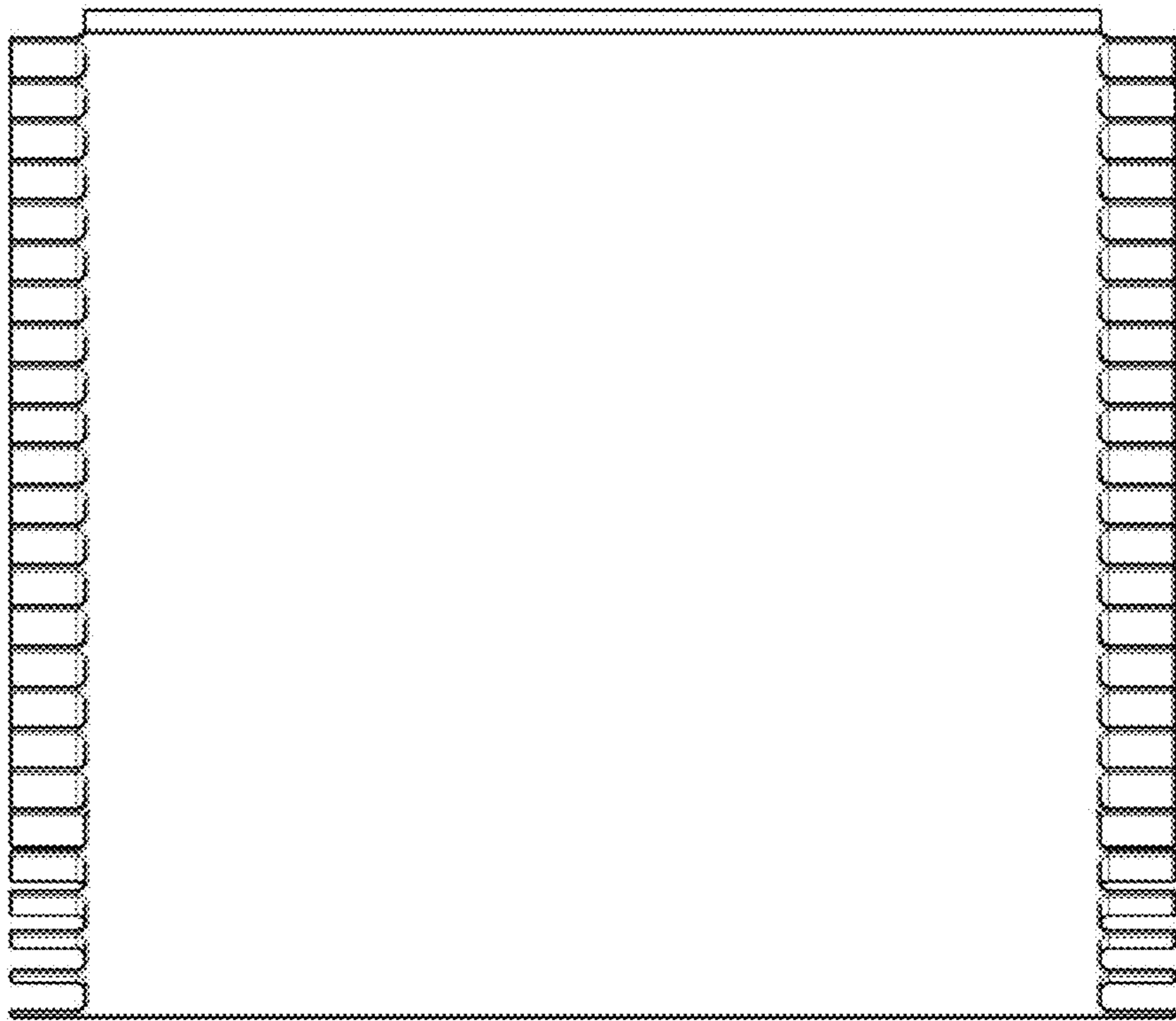


Fig.8