



US00D849566S

(12) **United States Design Patent** (10) **Patent No.:** **US D849,566 S**
Klintworth (45) **Date of Patent:** **** May 28, 2019**

(54) **ELECTRONIC INSTRUMENTS CASING**
(71) Applicant: **MECALC (PTY) LIMITED**, Gauteng (ZA)
(72) Inventor: **Gilmer Conrad Klintworth**, Gauteng (ZA)
(73) Assignee: **MECALC (PTY) LIMITED (ZA)**

D736,657 S * 8/2015 Detering D10/46
D786,707 S * 5/2017 Oommen D10/46
D786,807 S * 5/2017 Murphy D13/179
D786,811 S * 5/2017 Zheng D13/182
D793,350 S * 8/2017 Kenchappa D13/179
D793,400 S * 8/2017 Lin D13/179
D798,830 S * 10/2017 Anzai D13/179
D798,831 S * 10/2017 Anzai D13/179
D813,929 S * 3/2018 van Hoff D16/219
2003/0081382 A1 * 5/2003 Lin H01L 23/427
361/697

(**) Term: **15 Years**

(21) Appl. No.: **29/608,307**

(22) Filed: **Jun. 21, 2017**

(30) **Foreign Application Priority Data**

Dec. 21, 2016 (ZA) F2016/2033

(51) **LOC (11) Cl.** **10-04**

(52) **U.S. Cl.**
USPC **D10/46**

(58) **Field of Classification Search**
USPC D13/179, 122, 182; D26/67; D14/353,
D14/349, 440; D10/70, 62, 46
CPC .. H05K 7/20; H05K 7/20172; H05K 7/20127;
H05K 7/20336; H05K 7/202; H05K
7/20272; H01L 23/34; H01L 23/3672;
H01L 23/40; H01L 23/4006; H01L
23/4093; F28D 15/0208; F28D 15/04
See application file for complete search history.

(56) **References Cited**

U.S. PATENT DOCUMENTS

D369,561 S * 5/1996 Green D10/46
6,152,214 A * 11/2000 Wagner H01L 23/467
165/121
D567,763 S * 4/2008 Yasumoto D13/122

OTHER PUBLICATIONS

Youtube, "PAK & Muller-BBM VibroAkustik Systeme—PAKMKII Movie", uploaded on May 11, 2015. (<https://www.youtube.com/watch?v=N3JlrJG1VKA>).*

* cited by examiner

Primary Examiner — Jennifer Rivard

Assistant Examiner — April Rivas

(74) *Attorney, Agent, or Firm* — Schmeiser, Olsen & Watts, LLP

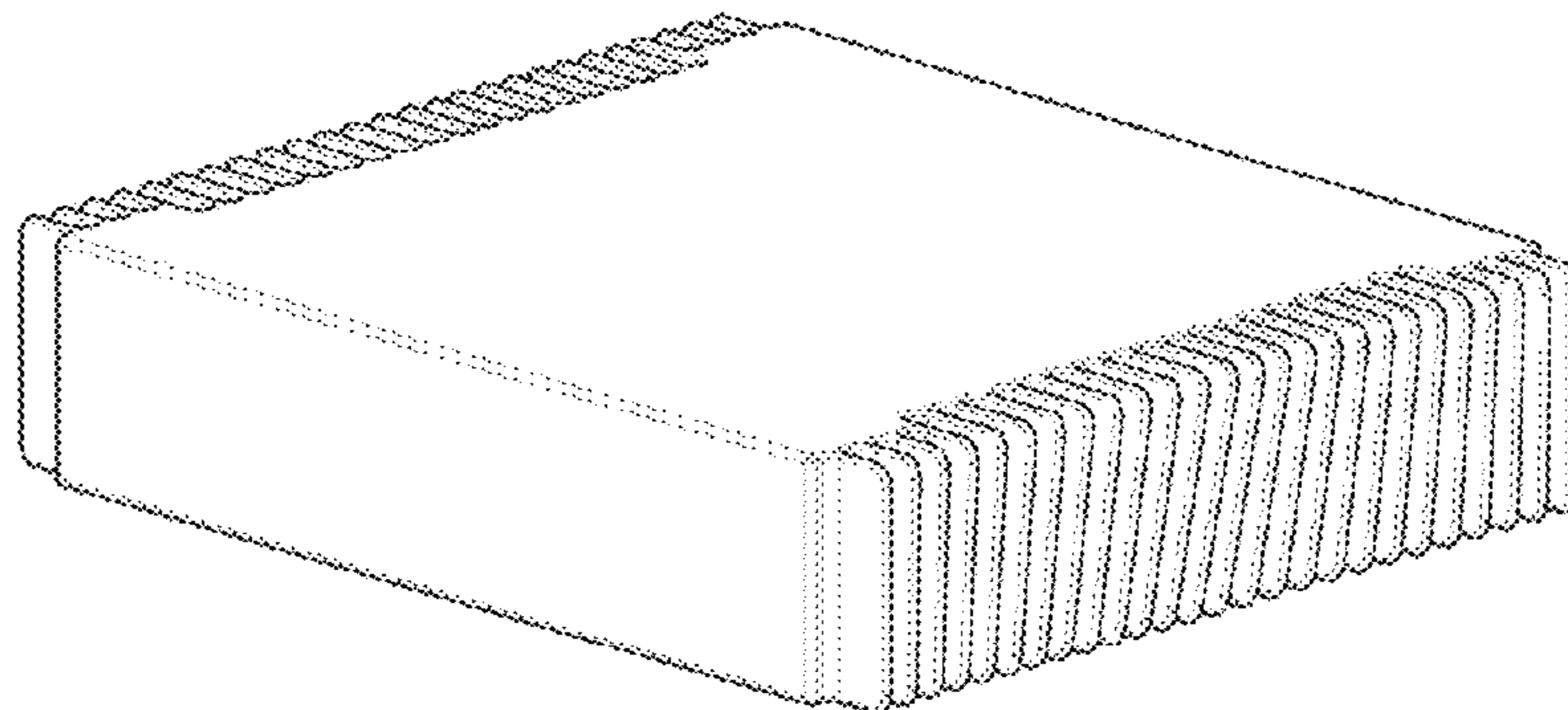
(57) **CLAIM**

The ornamental design for an electronic instruments casing, as shown and described.

DESCRIPTION

FIG. 1 is a first perspective view of an electronic instruments casing;
FIG. 2 is a front view thereof;
FIG. 3 is a top view thereof;
FIG. 4 is a right side view thereof;
FIG. 5 is a left side view thereof;
FIG. 6 is a rear view thereof; and,
FIG. 7 is a bottom view thereof.

1 Claim, 7 Drawing Sheets



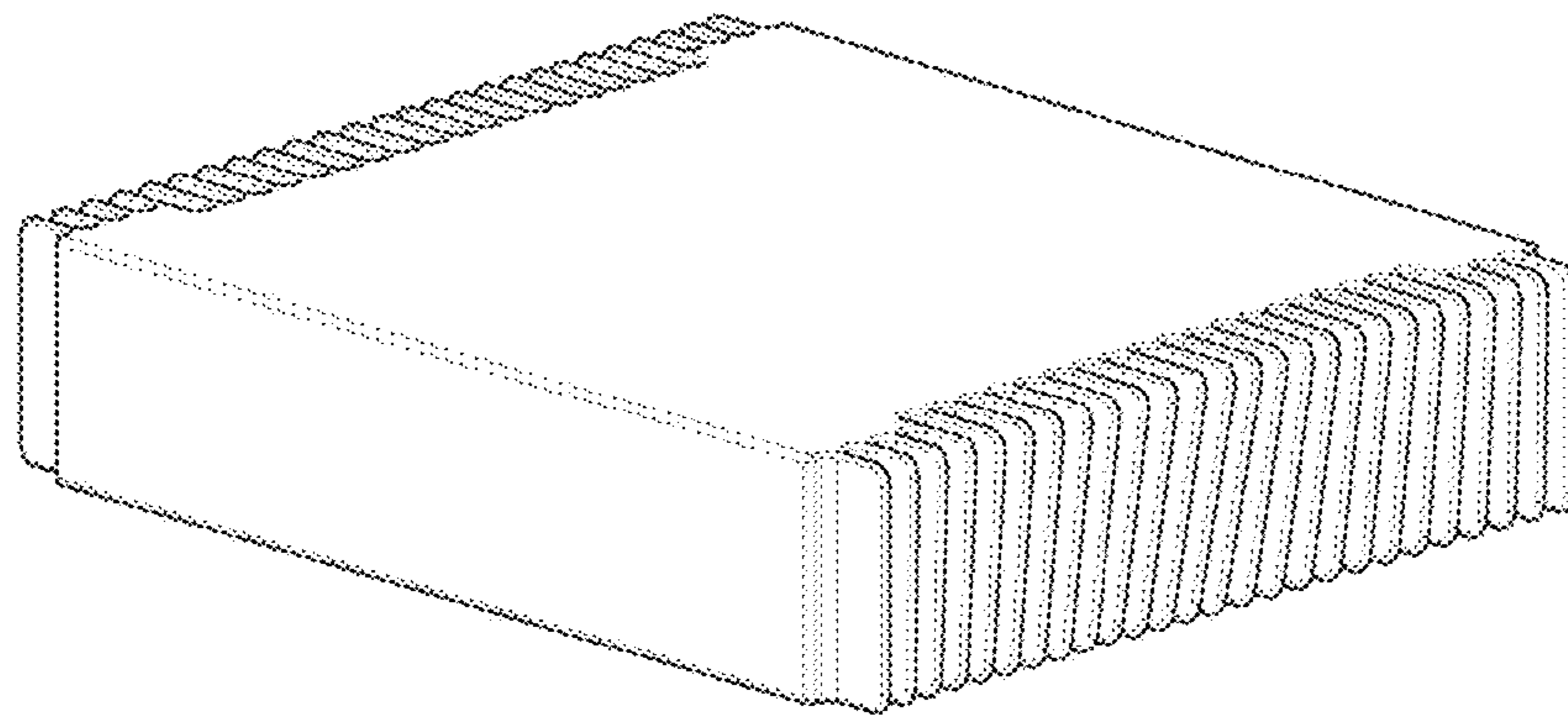


Fig. 1



Fig. 2

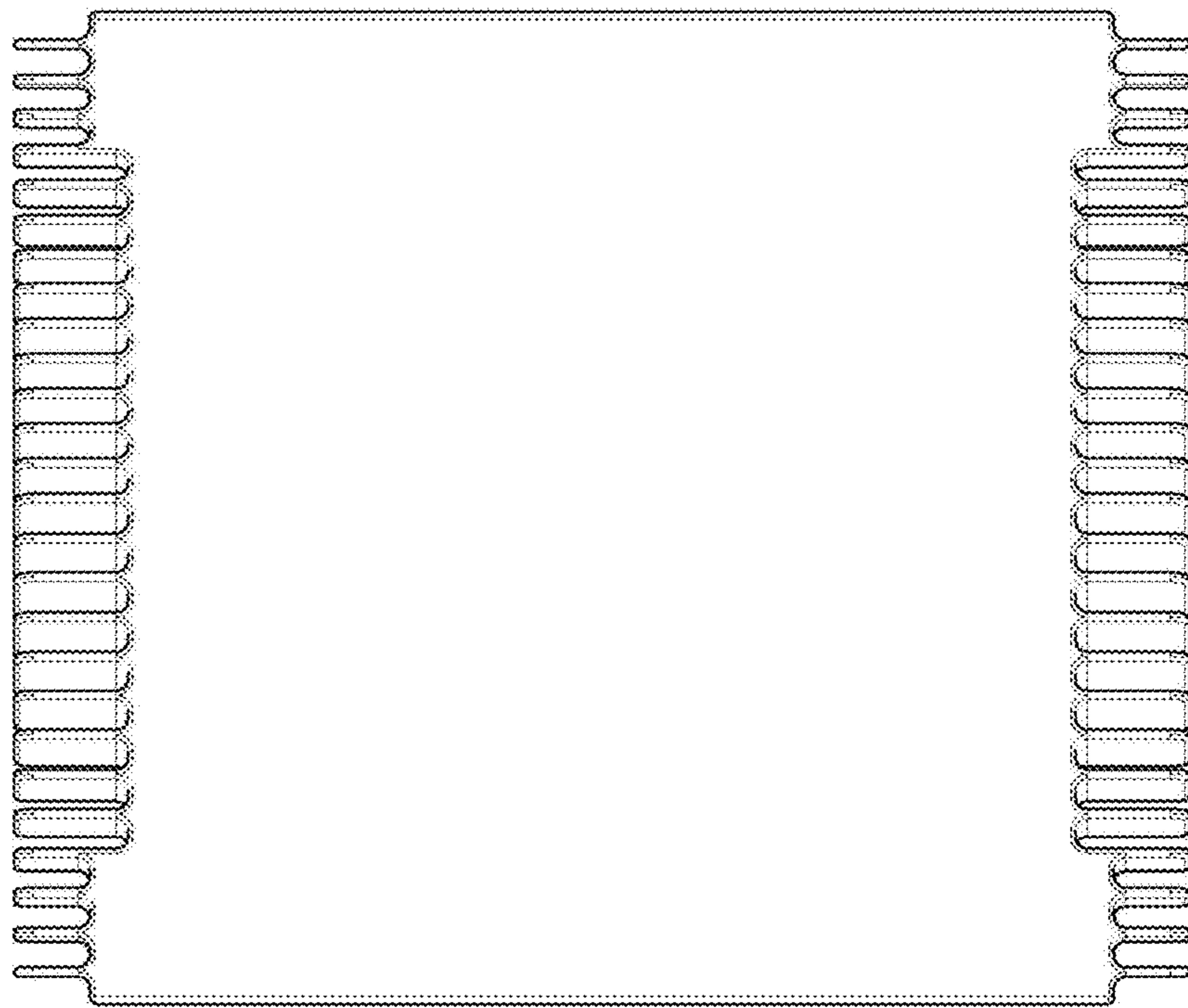


FIG. 3

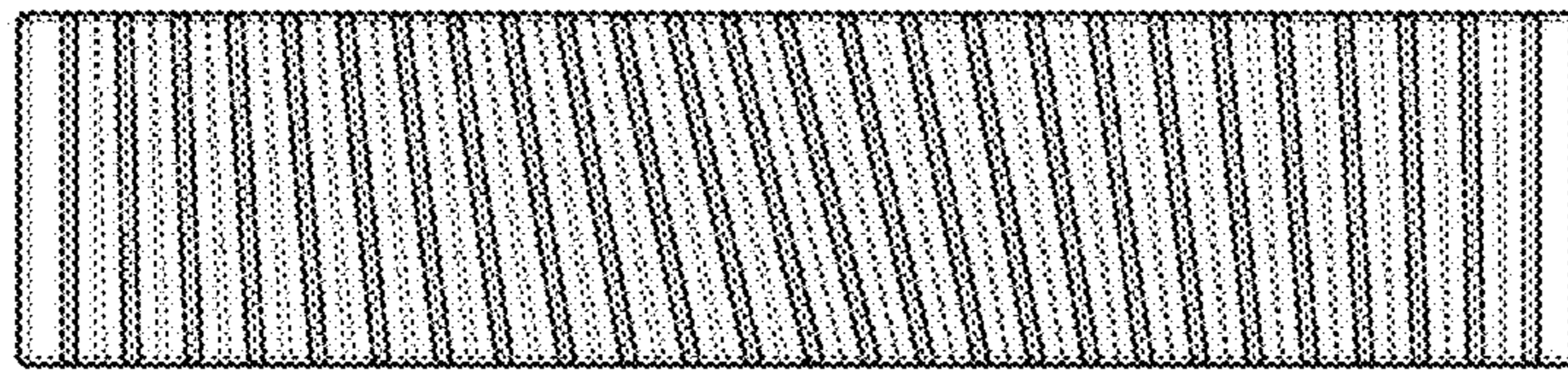


Fig. 4

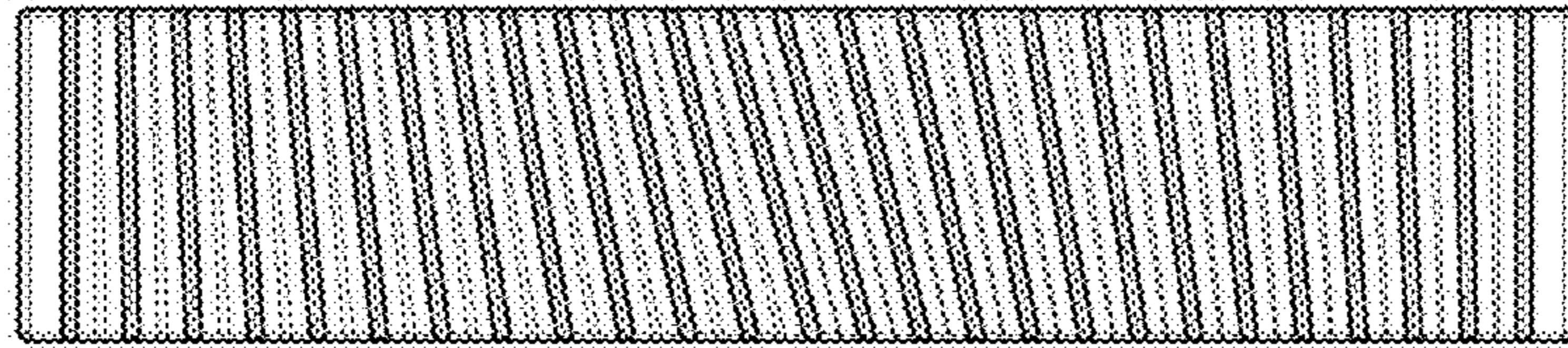


Fig. 5

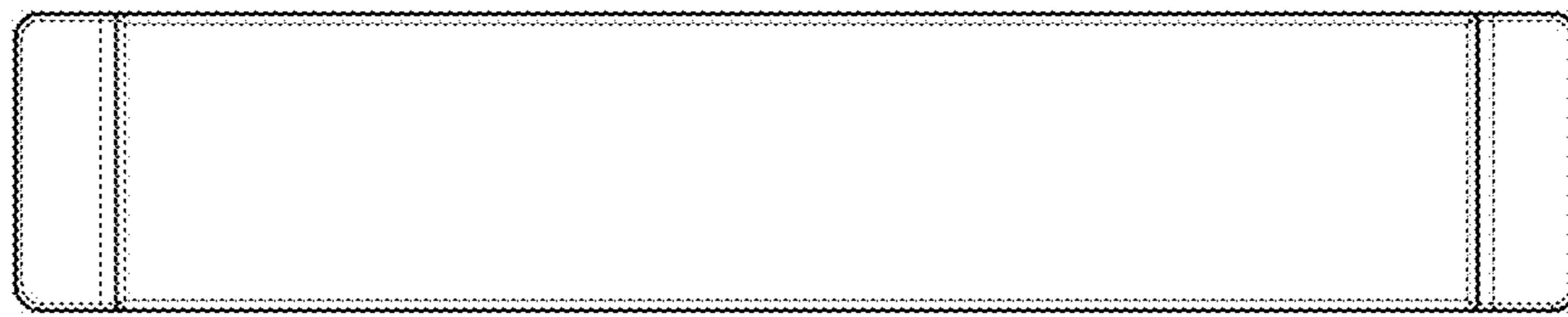


Fig. 6

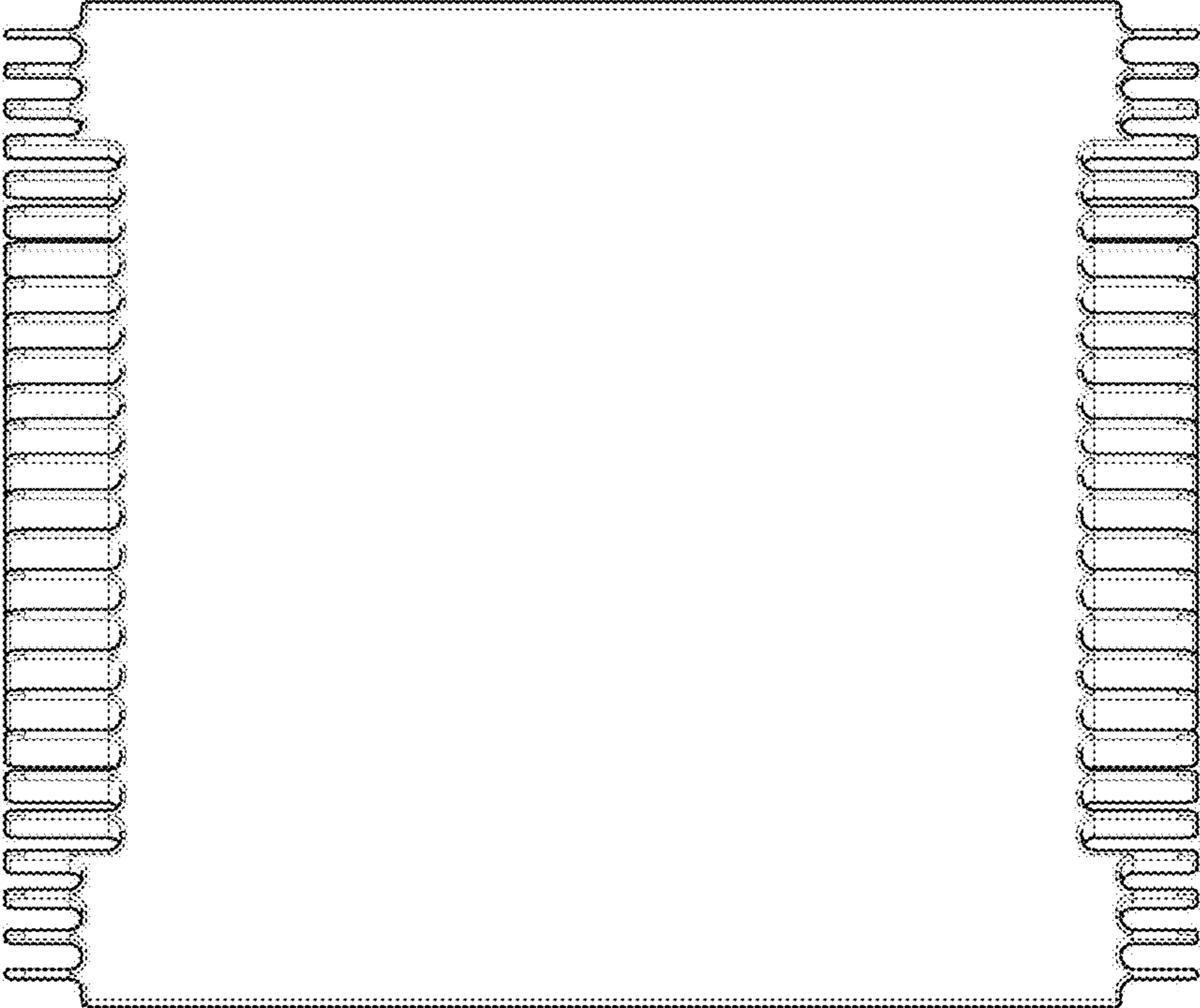


Fig. 7