



US00D849564S

(12) **United States Design Patent**
Behling

(10) **Patent No.:** **US D849,564 S**

(45) **Date of Patent:** **** *May 28, 2019**

(54) **WATCH CASE WITH STRAP**

(71) Applicant: **LVMH Swiss Manufactures SA**, La
Chaux-de-Fonds (CH)

(72) Inventor: **Christoph Behling**, London (GB)

(73) Assignee: **LVMH SWISS MANUFACTURES**
SA, La Chaux-de-Fonds (CH)

(*) Notice: This patent is subject to a terminal disclaimer.

(**) Term: **15 Years**

(21) Appl. No.: **29/614,576**

(22) Filed: **Aug. 21, 2017**

(30) **Foreign Application Priority Data**

Feb. 22, 2017 (WO) 2459401

(51) **LOC (11) Cl.** **10-02**

(52) **U.S. Cl.**
USPC **D10/32**

(58) **Field of Classification Search**

USPC D10/30-39, 42, 122-124, 126, 128;
D11/3; D14/344; D99/28, 99; D24/167,
D24/186

See application file for complete search history.

(56) **References Cited**

U.S. PATENT DOCUMENTS

D285,422 S * 9/1986 Grimes D10/32
D327,440 S * 6/1992 Galli D10/126
D349,257 S * 8/1994 Polenberg D11/3
D381,920 S * 8/1997 Galli D10/30
D395,241 S * 6/1998 Galli D10/30
D460,003 S * 7/2002 Jamin D10/32
D538,184 S * 3/2007 Scheufele D10/39
D580,277 S * 11/2008 Brady D10/32
D580,795 S * 11/2008 Lalo D10/32

D630,121 S * 1/2011 Roysky D11/3
D668,967 S * 10/2012 Duport D10/32
D702,136 S * 4/2014 Monachon D10/39
D718,171 S * 11/2014 Fakesch D11/3
D726,675 S * 4/2015 Choi D10/38

(Continued)

OTHER PUBLICATIONS

Tag Heuer Connected Watch | posted at Chrono24.com Nov. 2015
[online][site visited Jun. 10, 2018]. Available from internet: <https://www.chrono24.com/magazine/tag-heuer-connected-watch-is-it-what-weve-hoped-for-p_7106/#gref> (Year: 2015).*

(Continued)

Primary Examiner — Sandra S Snapp

Assistant Examiner — Katherine Glennon

(74) *Attorney, Agent, or Firm* — Brinks Gilson & Lione;
John C. Freeman

(57) **CLAIM**

The ornamental design for a watch case with strap, as shown and described.

DESCRIPTION

FIG. 1 is a top view of a watch case with strap according to the present invention;
FIG. 2 is a bottom view;
FIG. 3 is a front view;
FIG. 4 is a rear view;
FIG. 5 is a right side view;
FIG. 6 is a left side view;
FIG. 7 is a top perspective view;
FIG. 8 is a top perspective exploded view;
FIG. 9 is a bottom perspective view; and,
FIG. 10 is a bottom perspective exploded view.

The ornamental design which is claimed is shown in solid lines in the drawings. The broken lines showing of portions of the article form no part of the claimed design.

1 Claim, 10 Drawing Sheets



(56)

References Cited

U.S. PATENT DOCUMENTS

D731,455	S *	6/2015	Park	D10/38
D742,780	S *	11/2015	Barnes	D11/87
D748,501	S *	2/2016	Cerrato	D10/30
D748,624	S *	2/2016	Magi	D14/344
D750,622	S *	3/2016	Chen	D10/38
D756,832	S *	5/2016	Riddiford	D11/3
D760,603	S *	7/2016	Soares	D10/32
D761,130	S *	7/2016	Soares	D10/126
D778,533	S *	2/2017	Chen	D2/636
D781,722	S *	3/2017	Behling	D10/38
D799,990	S *	10/2017	Behling	D10/38
D800,109	S *	10/2017	Rouillac	D14/344
2014/0083133	A1 *	3/2014	Lee	A44C 5/14 63/3.1
2014/0353349	A1 *	12/2014	De Oliveira	A44C 5/14 224/164
2016/0270491	A1 *	9/2016	Spencer	A44C 5/185
2017/0181510	A1 *	6/2017	Novak	A44C 5/147

OTHER PUBLICATIONS

Tag Heuer Connected Unboxing | posted at youtube.com Nov. 2015 [online][site visited 6/8/208]. Available from internet: <https://www.youtube.com/watch?v=hsBjuzZ_pY> (Year: 2015).*

Tag Heuer Connected Modular 45 | posted at hodinkee.com Mar. 2017 © 2009-2018, Hodinkee Inc [online][site visited Jun. 8, 2018]. Available from internet: <<https://www.hodinkee.com/articles/tag-heuer-connected-modular-45-swiss-made-smartwatch>> (Year: 2018).*

Tag Heuer's Connected-backup plan | posted at siliconangle.com Nov. 2015 Copyright 2018 SiliconANGLE Media, Inc [online][site visited Jun. 10, 2018]. Available from internet: <<https://siliconangle.com/blog/2015/11/10/tag-heuers-backup-plan-in-case-its-smartwatch-fails/>> (Year: 2015).*

* cited by examiner

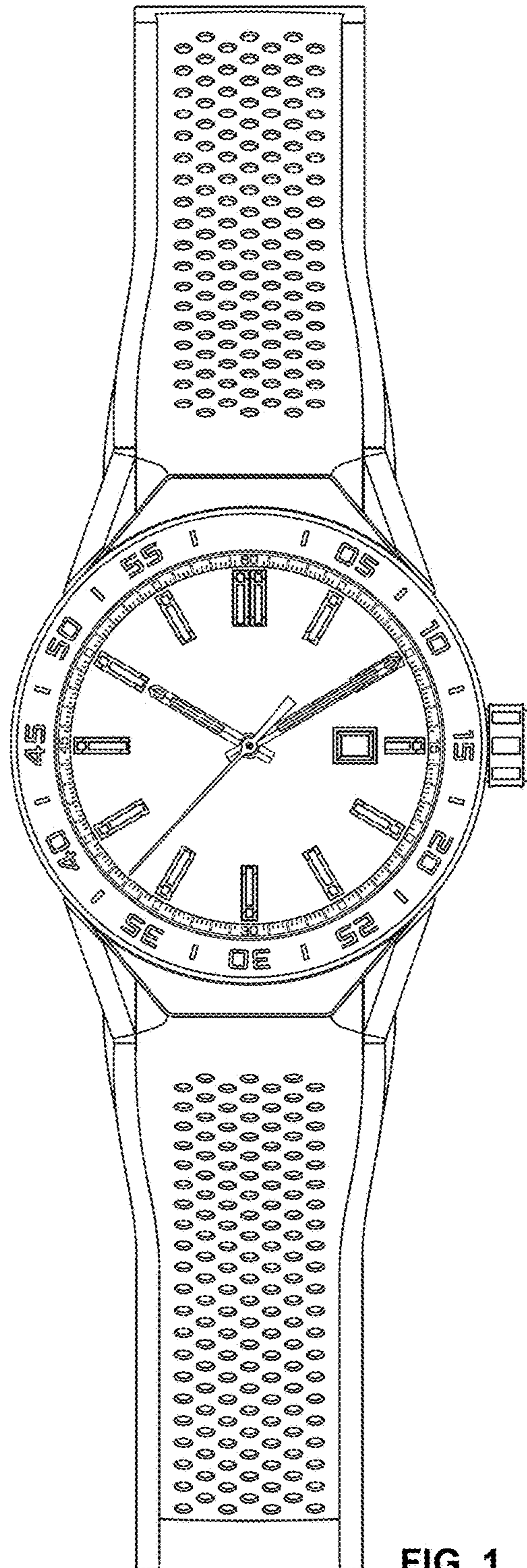


FIG. 1

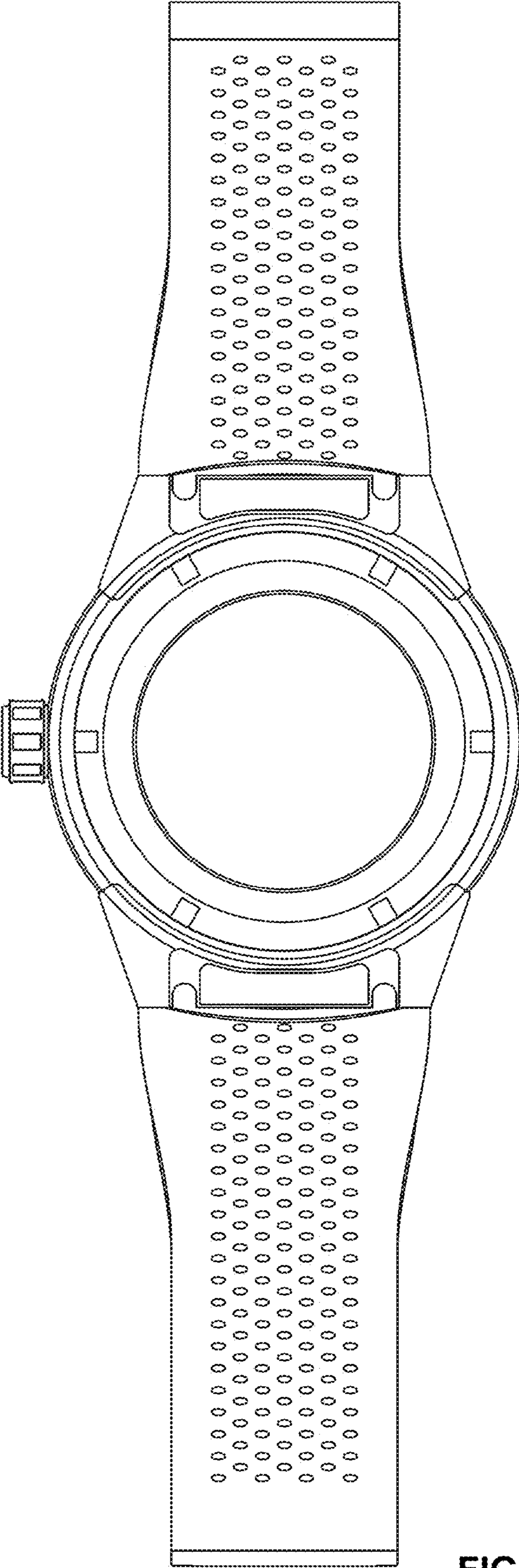


FIG. 2

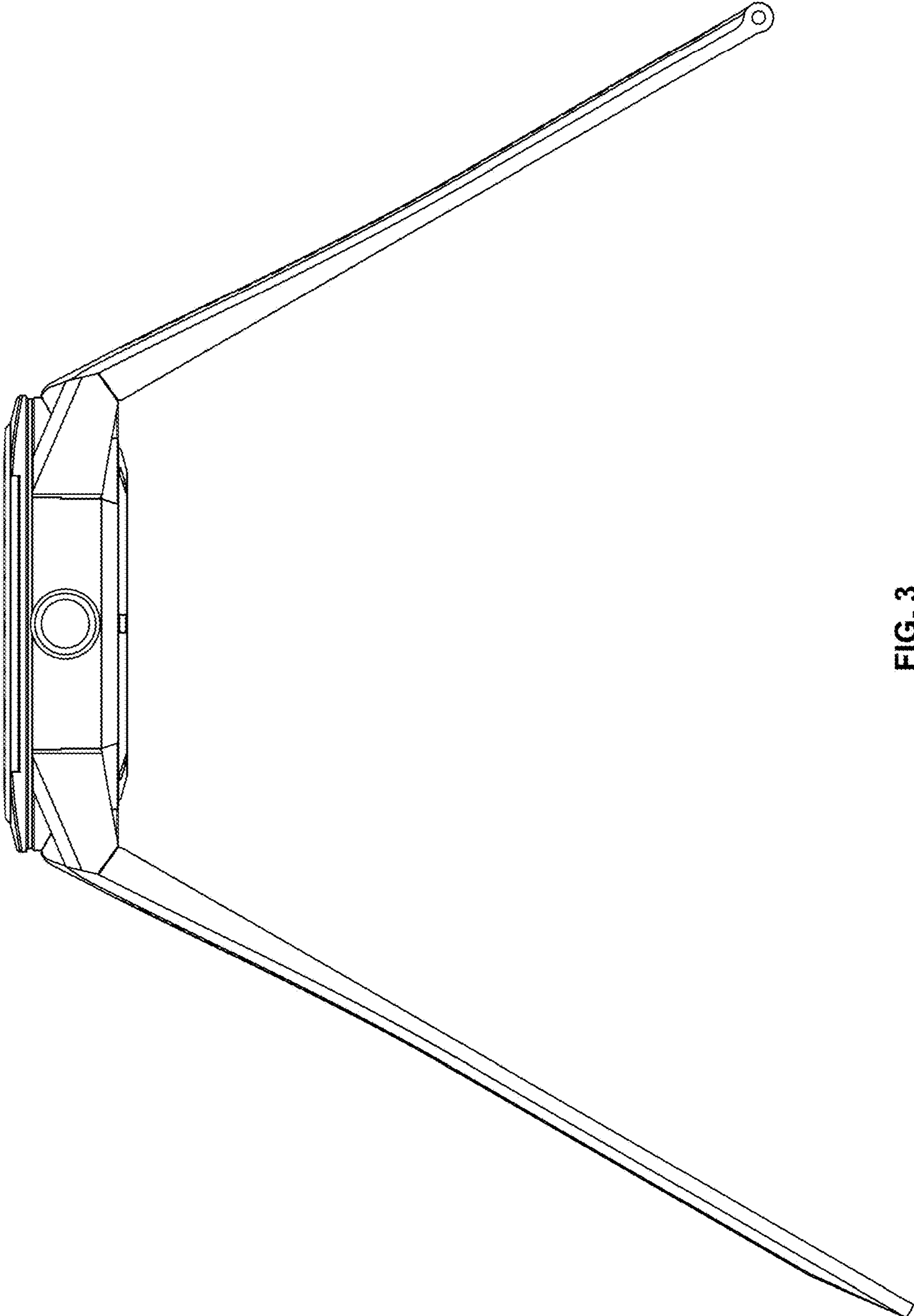


FIG. 3

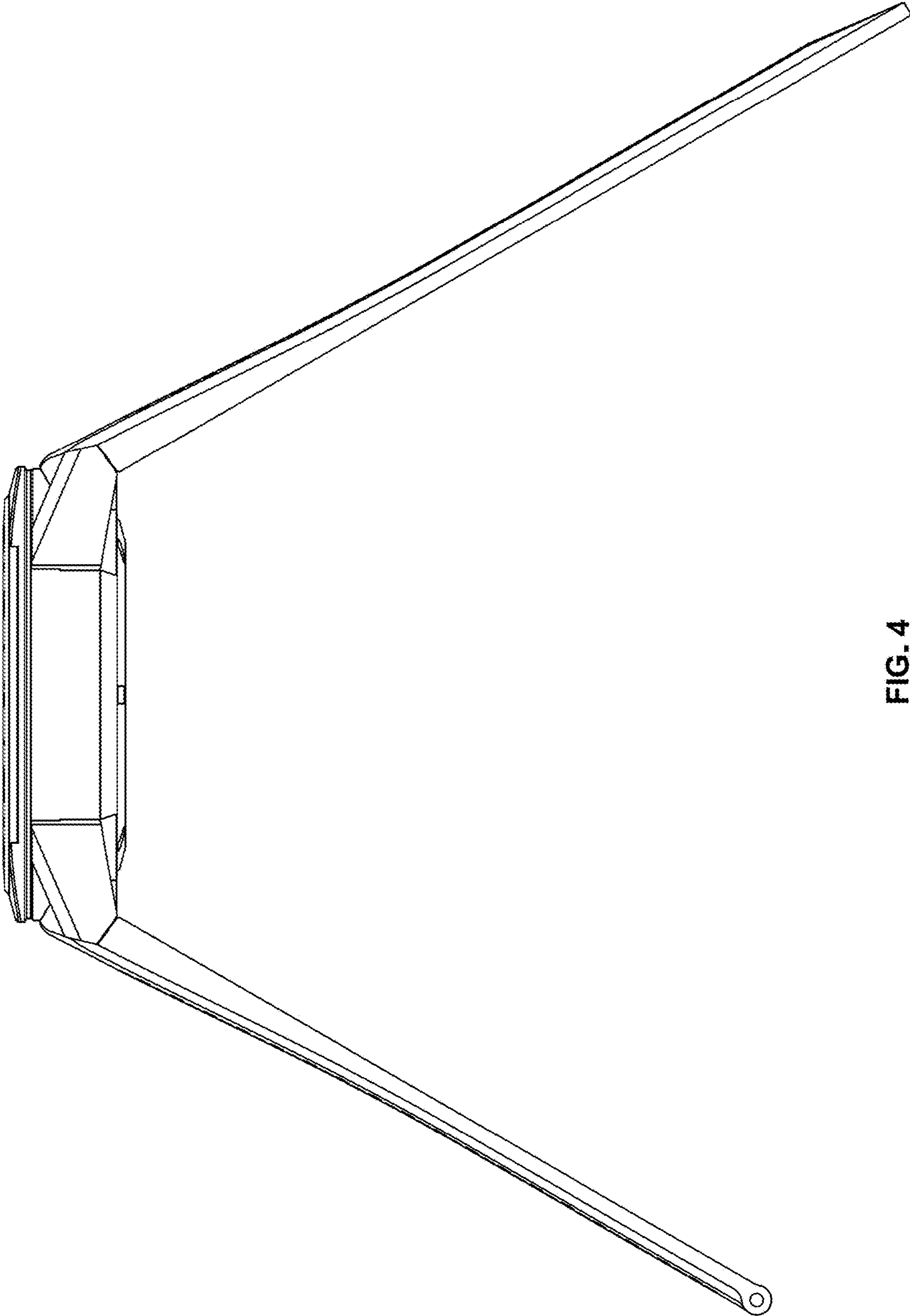


FIG. 4

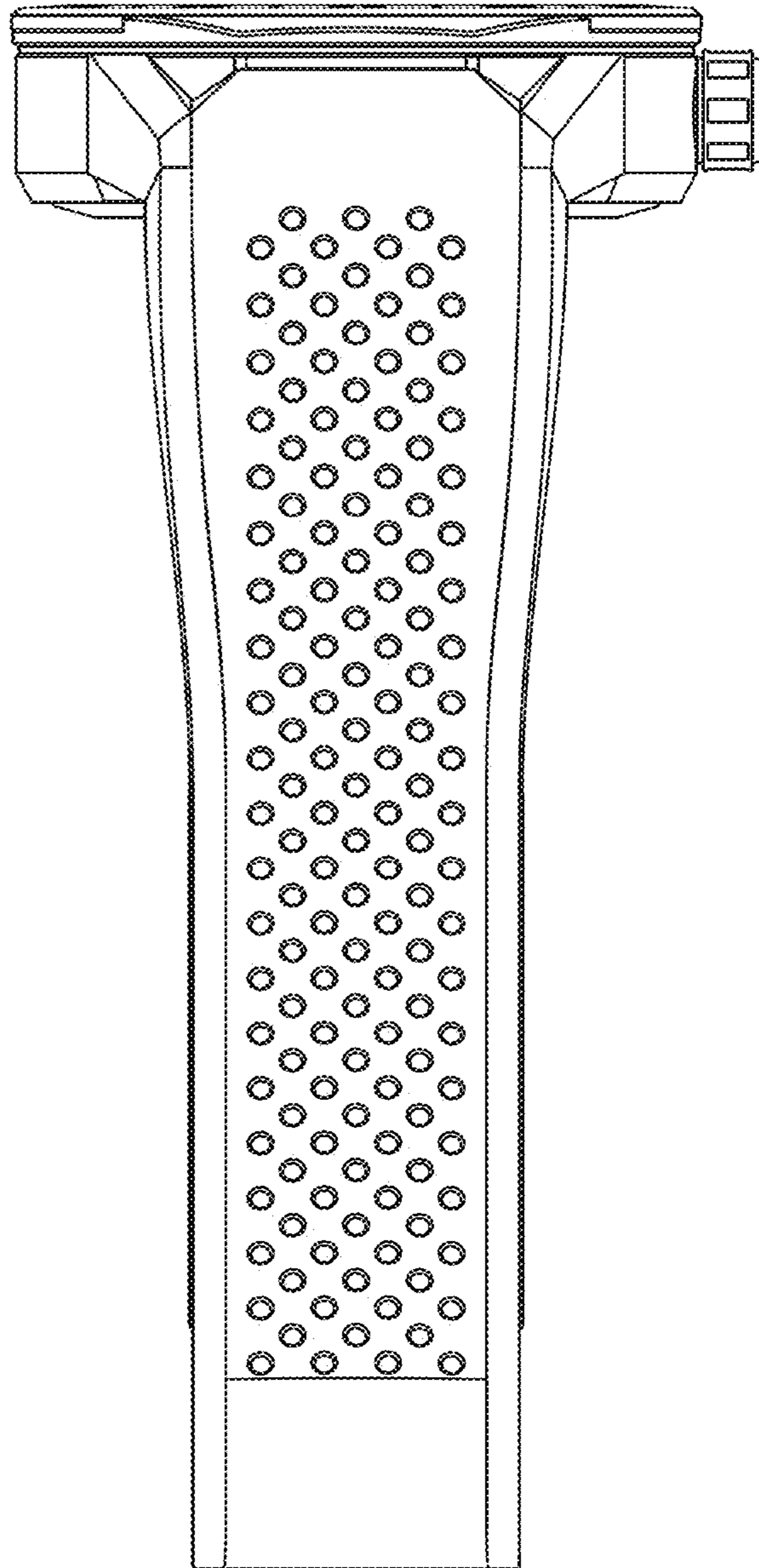


FIG. 5

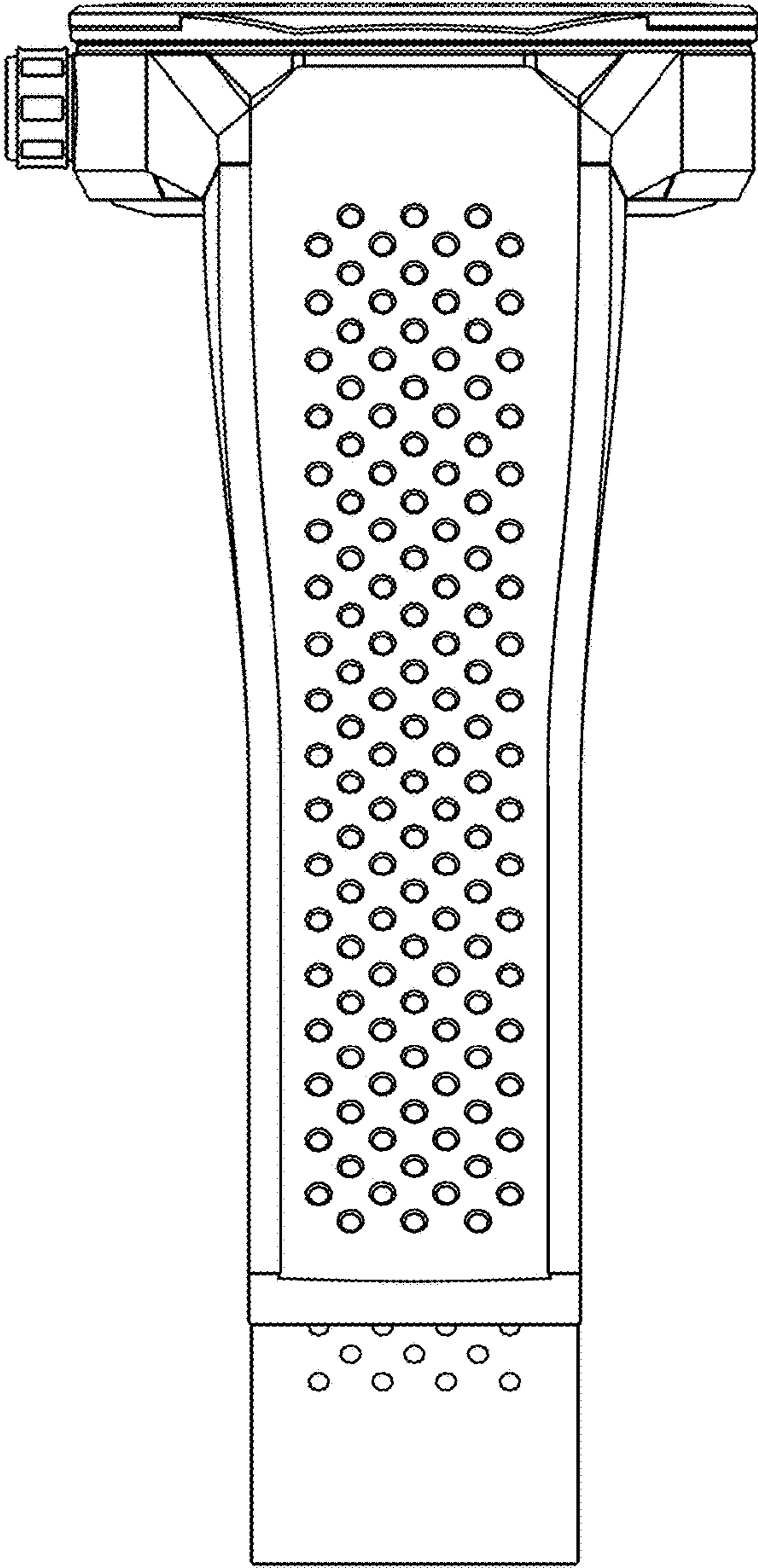


FIG. 6

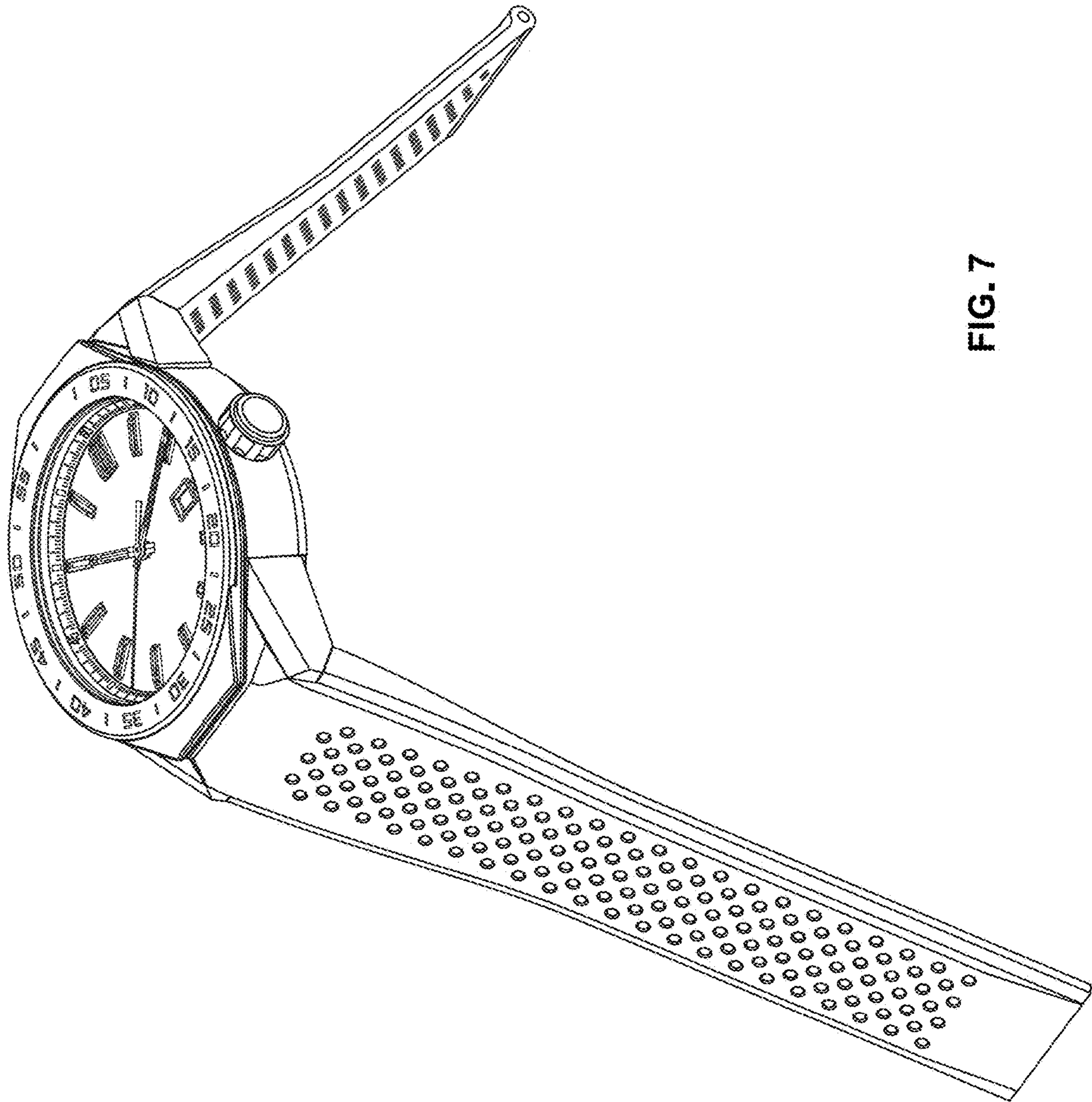


FIG. 7

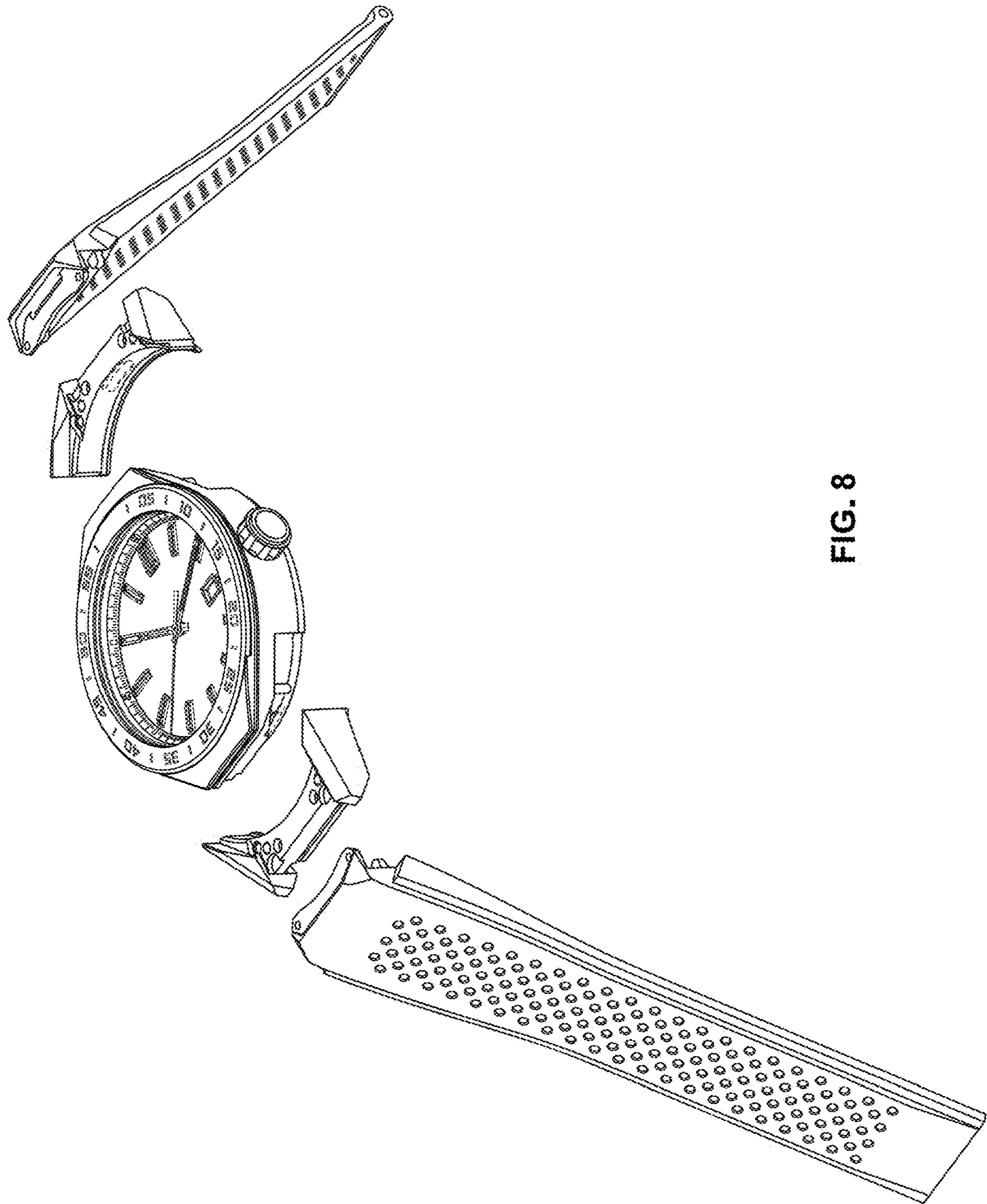


FIG. 8

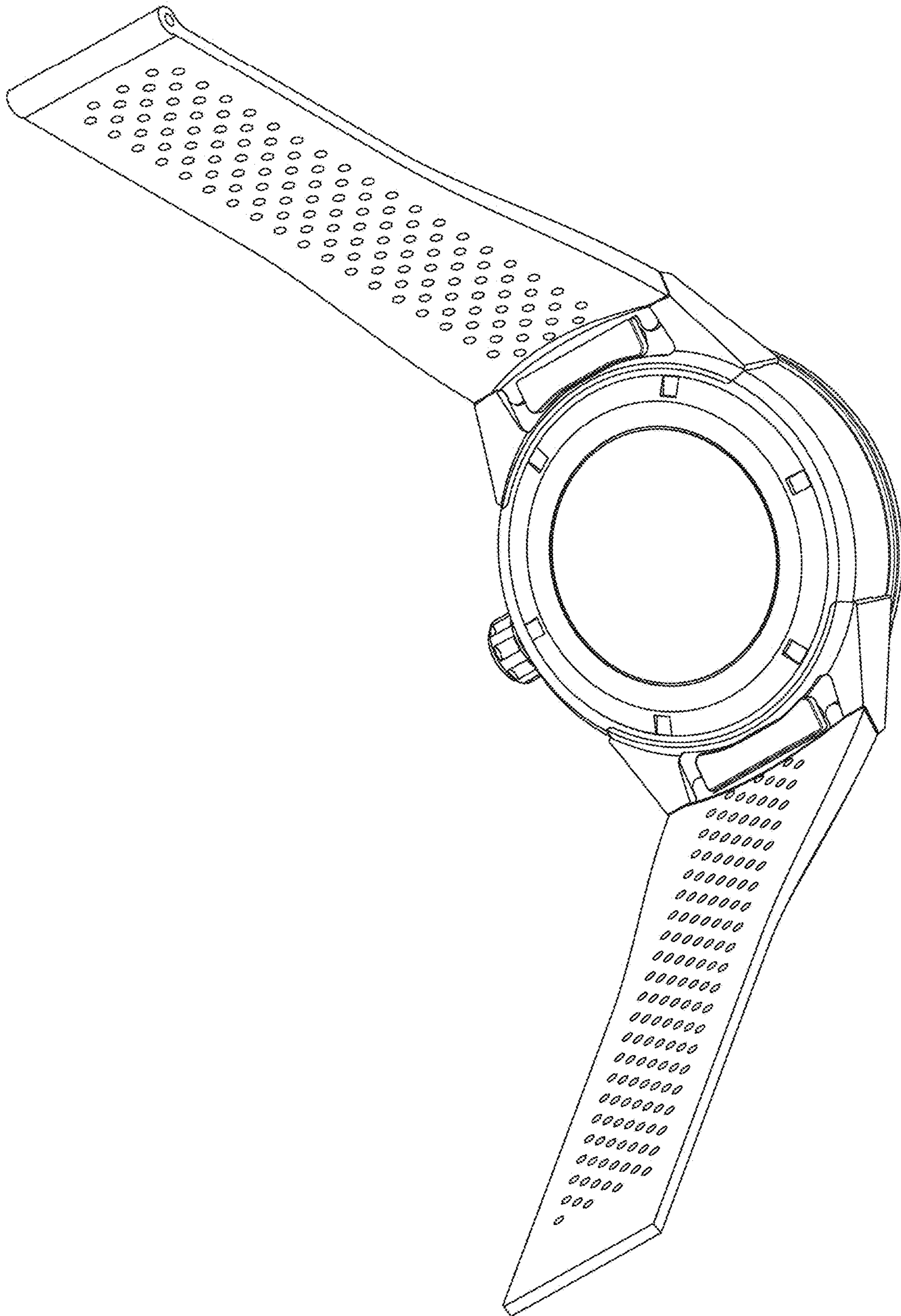


FIG. 9

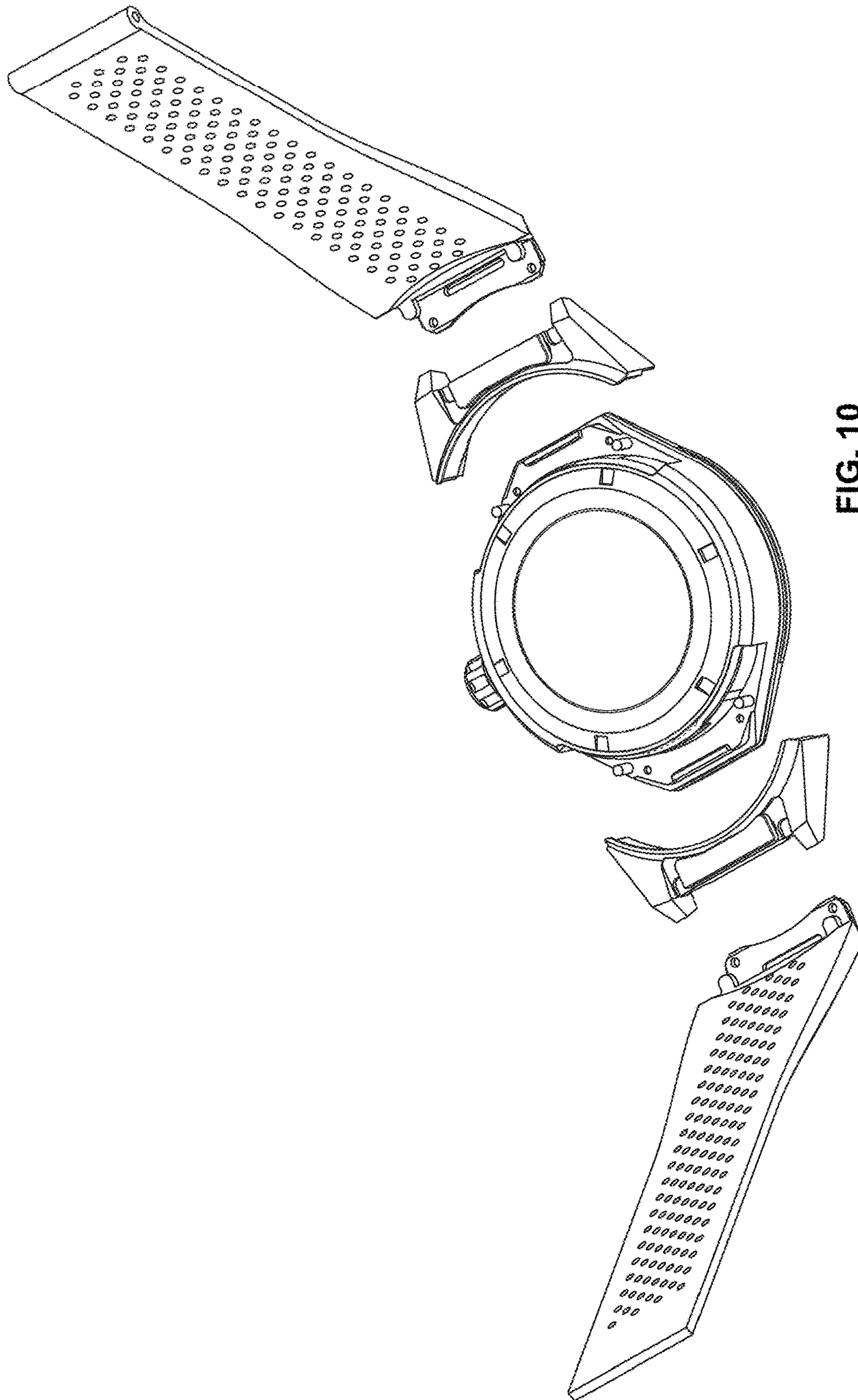


FIG. 10