



US00D849561S

(12) **United States Design Patent**  
**Behling**

(10) **Patent No.:** **US D849,561 S**

(45) **Date of Patent:** **\*\* May 28, 2019**

(54) **WATCH CASE**

(71) Applicant: **LVMH Swiss Manufactures SA**, La Chaux-de-Fonds (CH)

(72) Inventor: **Christoph Behling**, London (GB)

(73) Assignee: **LVMH SWISS MANUFACTURES SA**, La Chaux-de-Fonds (CH)

(\*\*) Term: **15 Years**

(21) Appl. No.: **29/614,560**

(22) Filed: **Aug. 21, 2017**

(30) **Foreign Application Priority Data**

Feb. 22, 2017 (WO) ..... 2459401

(51) **LOC (11) Cl.** ..... **10-02**

(52) **U.S. Cl.**  
USPC ..... **D10/30**

(58) **Field of Classification Search**  
USPC ..... D10/30-39, 42, 122-124, 126, 128;  
D11/3; D14/344; D99/28, 99; D24/167,  
D24/186

See application file for complete search history.

(56) **References Cited**

U.S. PATENT DOCUMENTS

D244,916 S *	7/1977	Ueno	.....	D10/38
D257,005 S *	9/1980	Ruth	.....	D10/38
D323,989 S *	2/1992	Burgener	.....	D10/18
D327,440 S *	6/1992	Galli	.....	D10/126
D381,920 S *	8/1997	Galli	.....	D10/30
D395,241 S *	6/1998	Galli	.....	D10/30
D414,431 S *	9/1999	Tran	.....	D10/2
D416,814 S *	11/1999	Welsh	.....	D10/31
D433,949 S *	11/2000	Helleu	.....	D10/30
D455,971 S *	4/2002	Yamamoto	.....	D10/39
D502,409 S *	3/2005	Figueiredo	.....	D10/30

D536,627 S *	2/2007	Behling	.....	D10/38
D544,372 S *	6/2007	Seyr	.....	D10/32
D573,041 S *	7/2008	Lulic	.....	D10/39
D573,488 S *	7/2008	Sanz	.....	D10/39
D596,051 S *	7/2009	Mille	.....	D10/38
D628,095 S *	11/2010	Monachon	.....	D10/39
D725,073 S *	3/2015	Ji	.....	D10/38
D726,675 S *	4/2015	Choi	.....	D10/38
D731,455 S *	6/2015	Park	.....	D10/38

(Continued)

OTHER PUBLICATIONS

TAG Heuer Connected Unboxing | posted at youtube.com Nov. 2015 [online][site visited 6/8/208]. Available from internet: <https://www.youtube.com/watch?v=hsBjuzZ\_pY (Year: 2015).\*

(Continued)

*Primary Examiner* — Sandra S Snapp

*Assistant Examiner* — Katherine Glennon

(74) *Attorney, Agent, or Firm* — Brinks Gilson & Lione; John C. Freeman

(57) **CLAIM**

The ornamental design for a watch case, as shown and described.

**DESCRIPTION**

FIG. 1 is a top view of a watch case according to the present invention;

FIG. 2 is a bottom view;

FIG. 3 is a left side view;

FIG. 4 is a right side view;

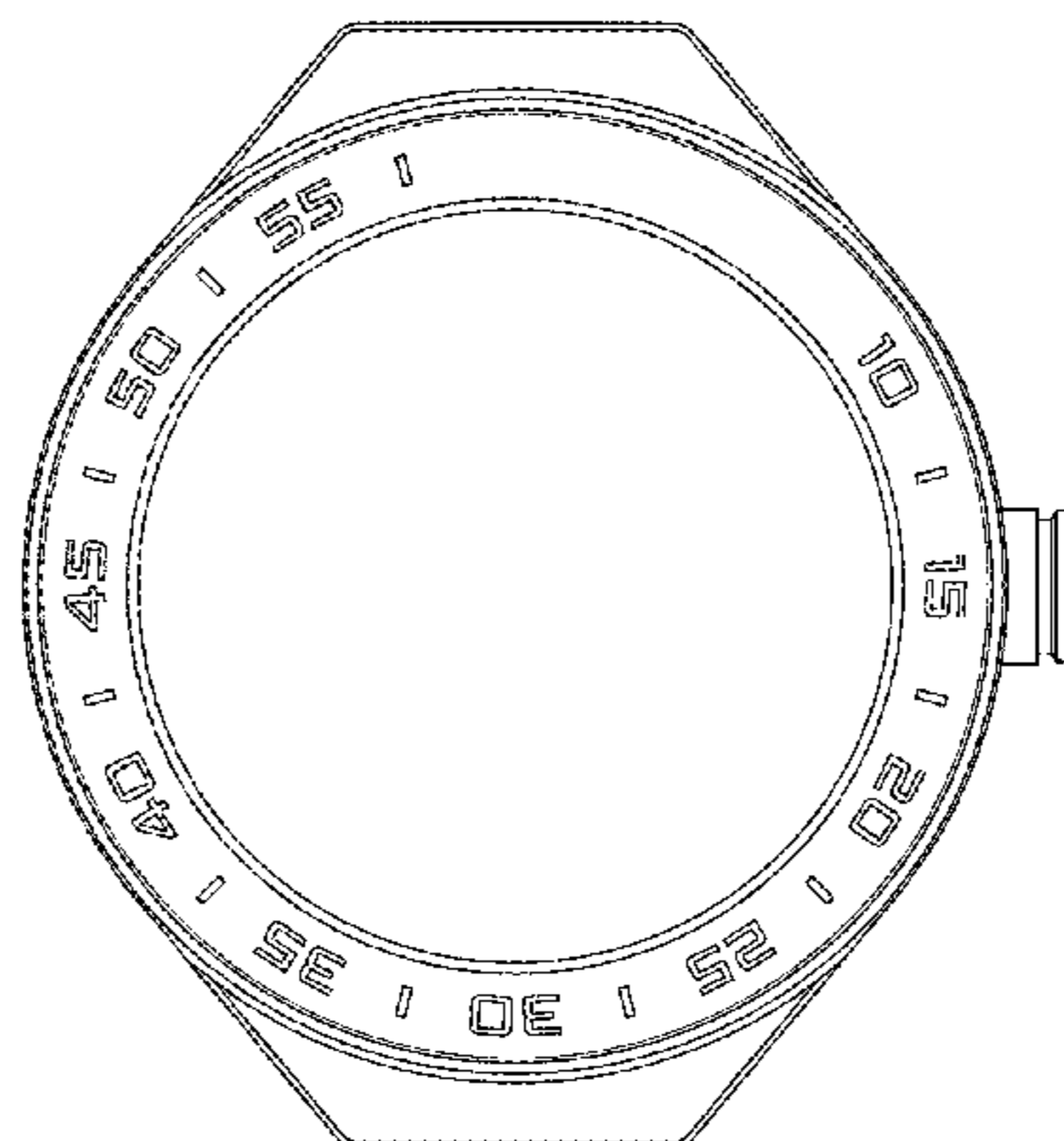
FIG. 5 is a front view;

FIG. 6 is a rear view; and,

FIG. 7 is a perspective view.

The ornamental design which is claimed is shown in solid lines in the drawings. The broken lines showing of portions of the article form no part of the claimed design.

**1 Claim, 7 Drawing Sheets**



(56)

**References Cited**

U.S. PATENT DOCUMENTS

D748,500 S \* 2/2016 Schwamkrug ..... D10/30  
D781,722 S \* 3/2017 Behling ..... D10/38  
D799,990 S \* 10/2017 Behling ..... D10/38  
2008/0304372 A1 \* 12/2008 Seyr ..... G04B 19/283  
368/309

OTHER PUBLICATIONS

TAG Heuer Connected Modular 45 | posted at hodinkee.com Mar. 2017 © 2009-2018, Hodinkee Inc [online][site vistied Jun. 8, 2018]. Available from internet: <<https://www.hodinkee.com/articles/tag-heuer-connected-modular-45-swiss-made-smartwatch>> (Year: 2017).\*

\* cited by examiner

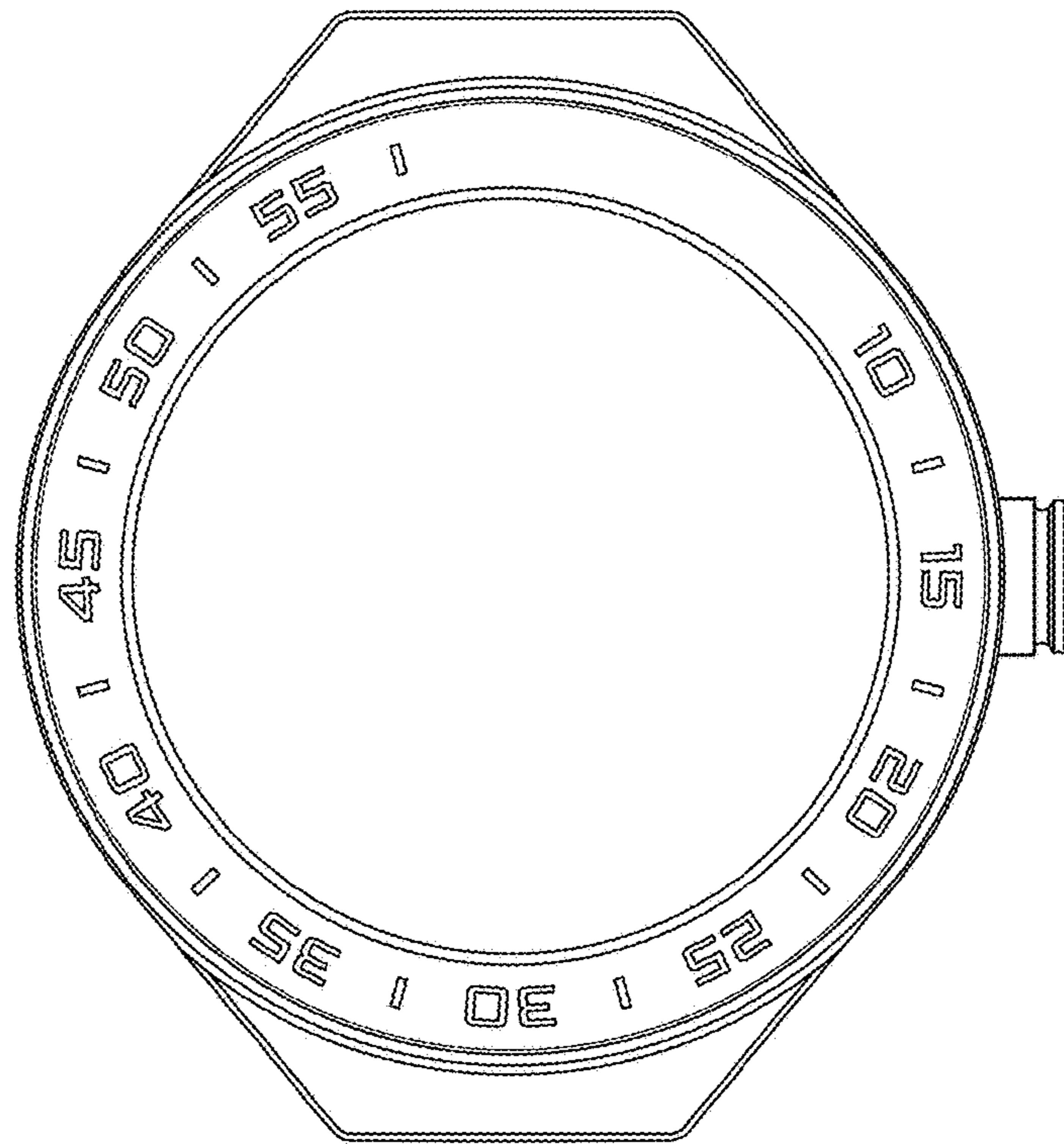


FIG. 1

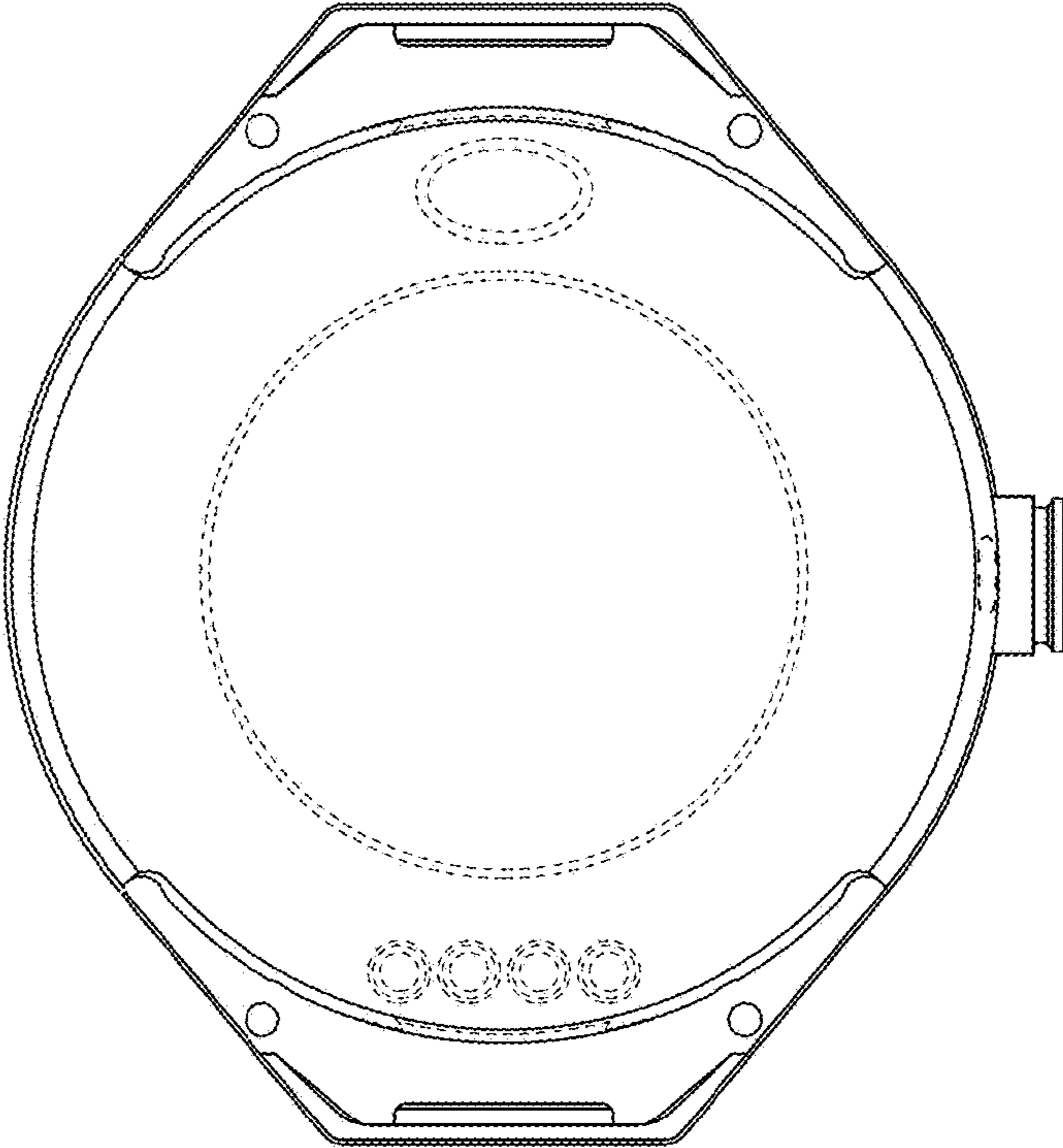


FIG. 2

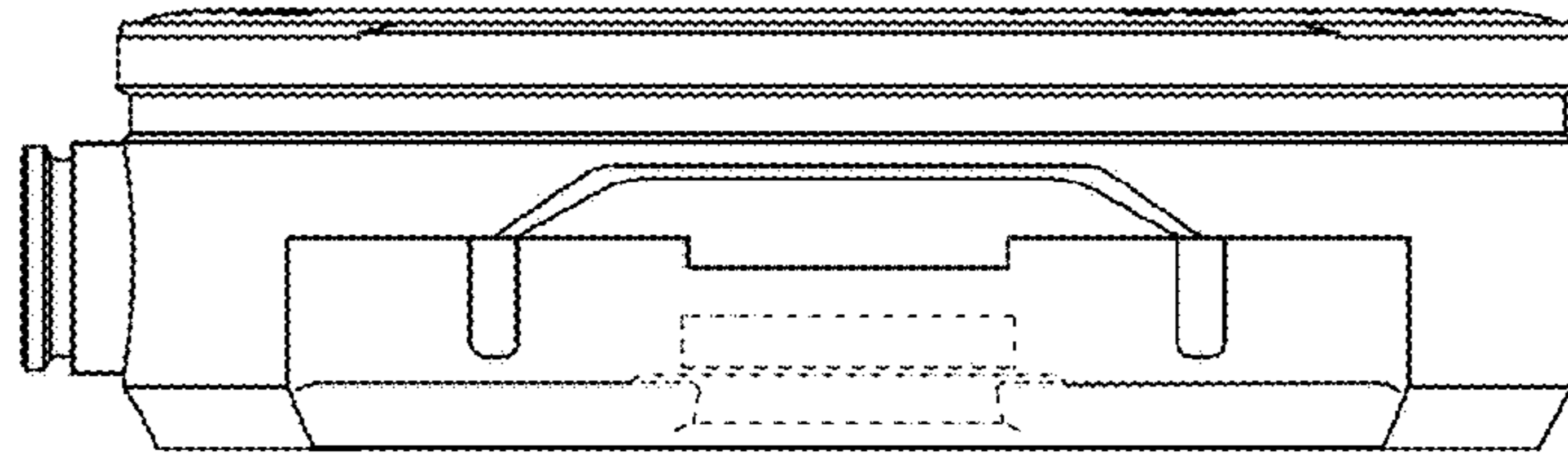


FIG. 3

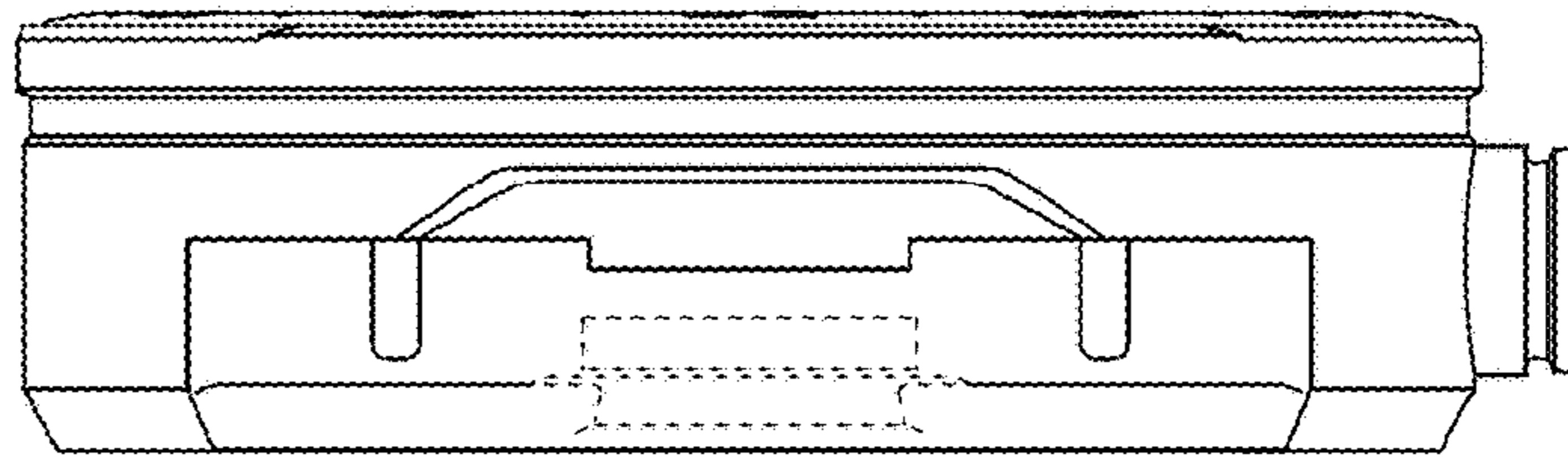


FIG. 4

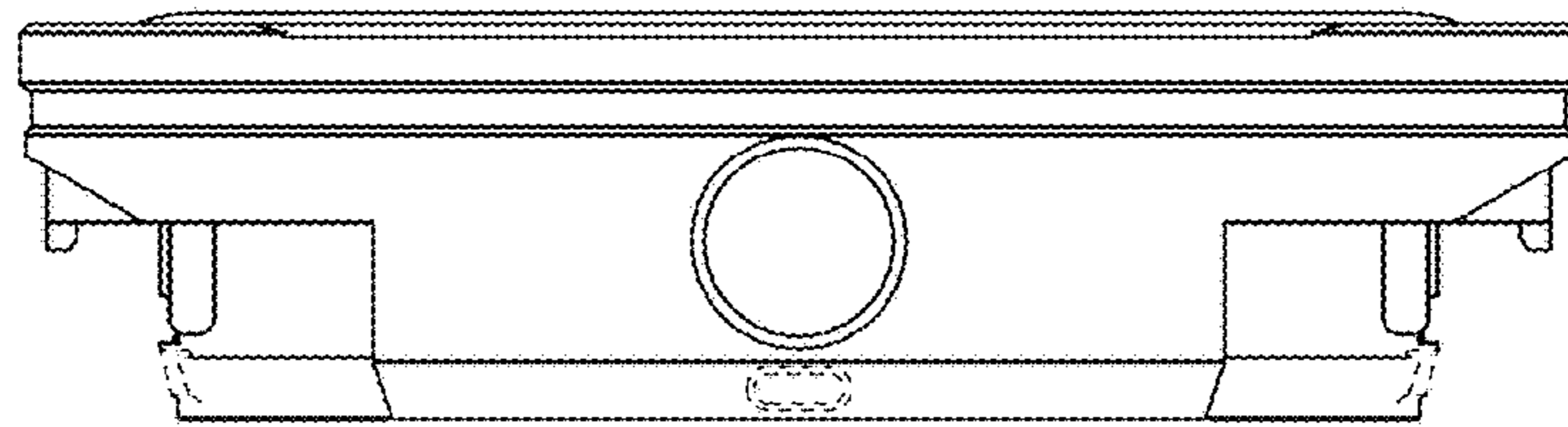


FIG. 5

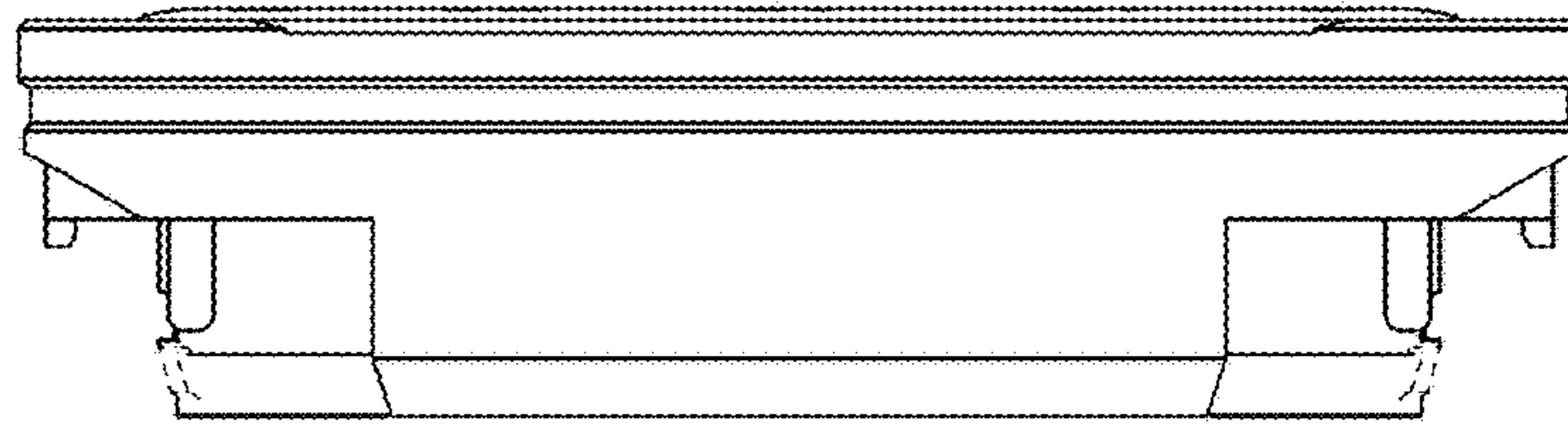


FIG. 6



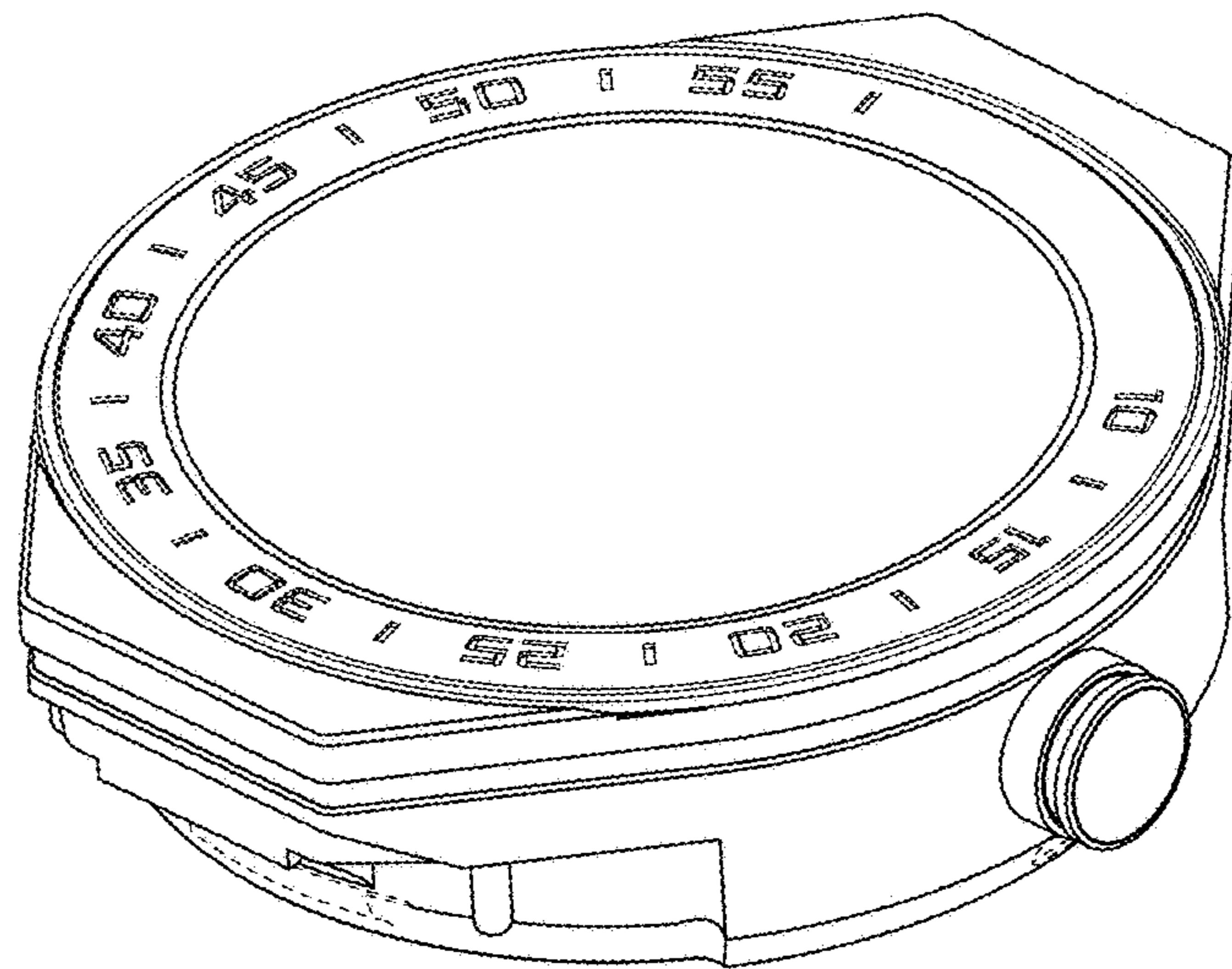


FIG. 7