

US00D849560S

(12) **United States Design Patent** (10) **Patent No.:** **US D849,560 S**
Dicks (45) **Date of Patent:** **** May 28, 2019**

(54) **WATCH CASE**

(56) **References Cited**

(71) Applicant: **Richemont International SA,**
Villars-sur-Glane (CH)

(72) Inventor: **Julie Dicks,** Annecy le vieux (FR)

(73) Assignee: **Richemont International SA,**
Villars-sur-Glane (CH)

(**) Term: **15 Years**

(21) Appl. No.: **29/602,601**

(22) Filed: **May 2, 2017**

(30) **Foreign Application Priority Data**

Nov. 2, 2016 (WO) 1268101

(51) **LOC (11) Cl.** **10-02**

(52) **U.S. Cl.**
USPC **D10/30**

(58) **Field of Classification Search**
USPC D10/30, 31, 32, 33, 34, 35, 36, 37, 38,
D10/39, 122, 123, 124, 102, 128; D11/1,
D11/2, 3, 4; D14/300, 341, 344, 137,
D14/138 R, 138 G
CPC G04B 17/00; G04B 17/02; G04B 17/005;
G04B 17/285; G04B 37/00; G04B
37/0058; G04B 45/00; G04B 45/02;
G04B 45/0038; G04B 45/0069; G04B
45/0076; G04B 29/00; G04B 19/268
See application file for complete search history.

U.S. PATENT DOCUMENTS

D319,789 S *	9/1991	Okaya	D10/30
D421,921 S *	3/2000	Giardiello	D10/30
D510,037 S *	9/2005	Modolo	D10/32
D545,222 S *	6/2007	Parmigiani	D10/38
D645,361 S *	9/2011	Parmigiani	D10/38
D671,429 S *	11/2012	Parmigiani	D10/38
D755,178 S *	5/2016	Solomon	D10/38
D786,705 S *	5/2017	Babcock	D10/30

* cited by examiner

Primary Examiner — Sheryl Lane

Assistant Examiner — Samantha N Wood

(74) *Attorney, Agent, or Firm* — Taft Stettinius &
Hollister LLP

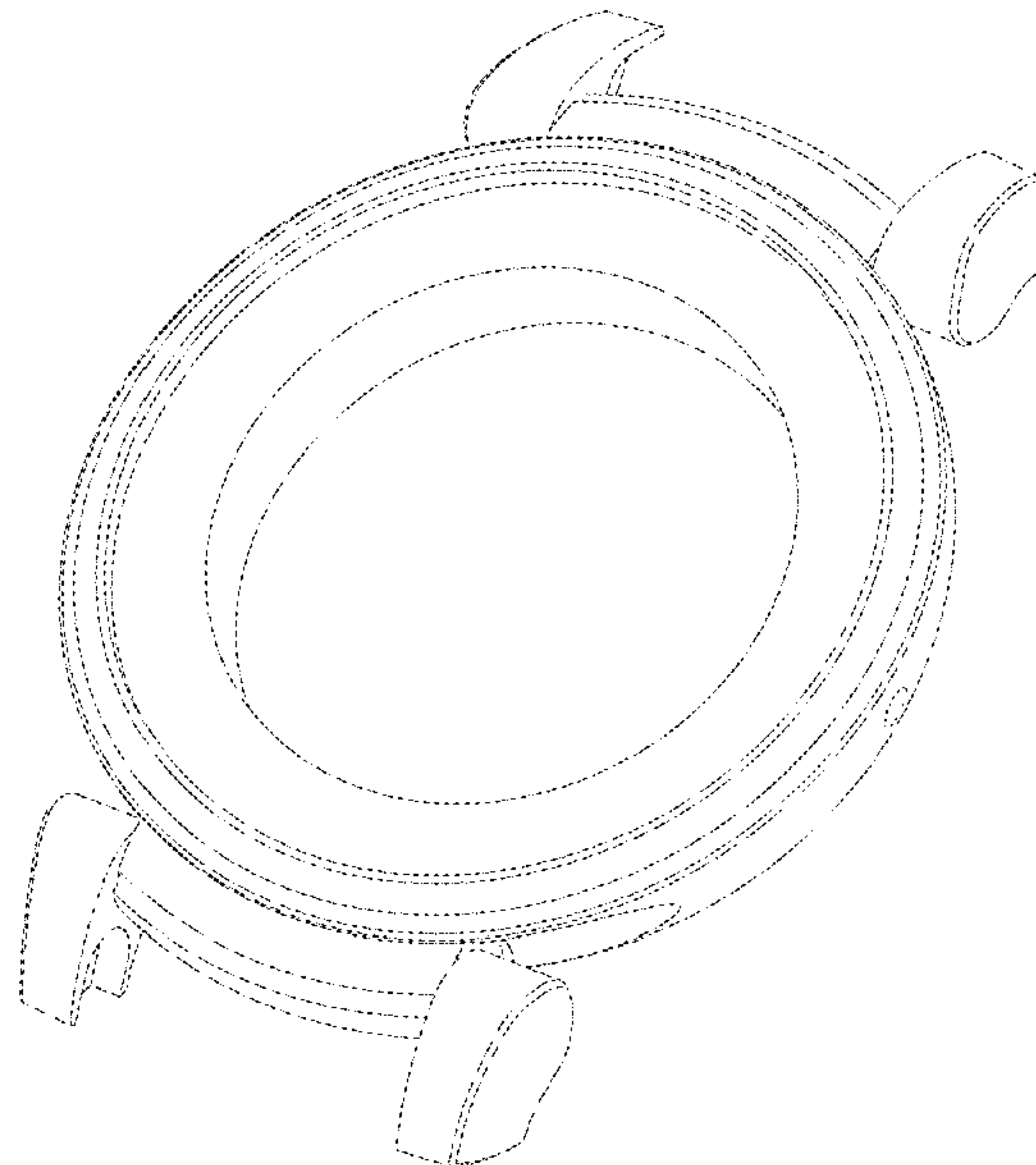
(57) **CLAIM**

The ornamental design for a watch case, as shown and described.

DESCRIPTION

FIG. 1 is a front plan view of a watch case showing my new design;
FIG. 2 is a back plan view thereof;
FIG. 3 is a right side elevational view thereof;
FIG. 4 is a left side elevational view thereof;
FIG. 5 is a bottom elevational view thereof;
FIG. 6 is a top elevational view thereof; and,
FIG. 7 is a front, right side perspective view thereof.
The broken lines in the drawing figures depict unclaimed subject matter that forms no part of the claimed design.

1 Claim, 1 Drawing Sheet



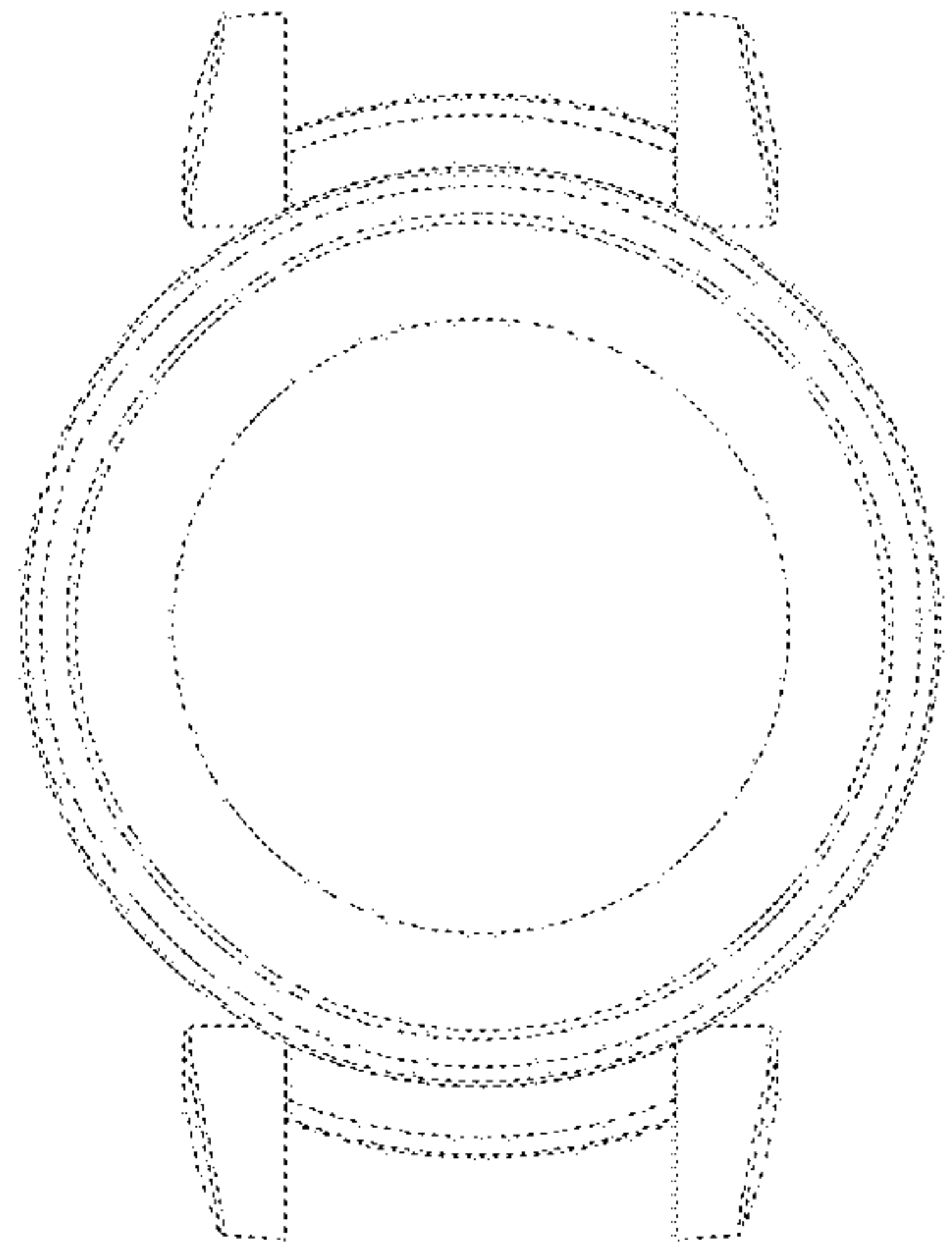


Fig. 1

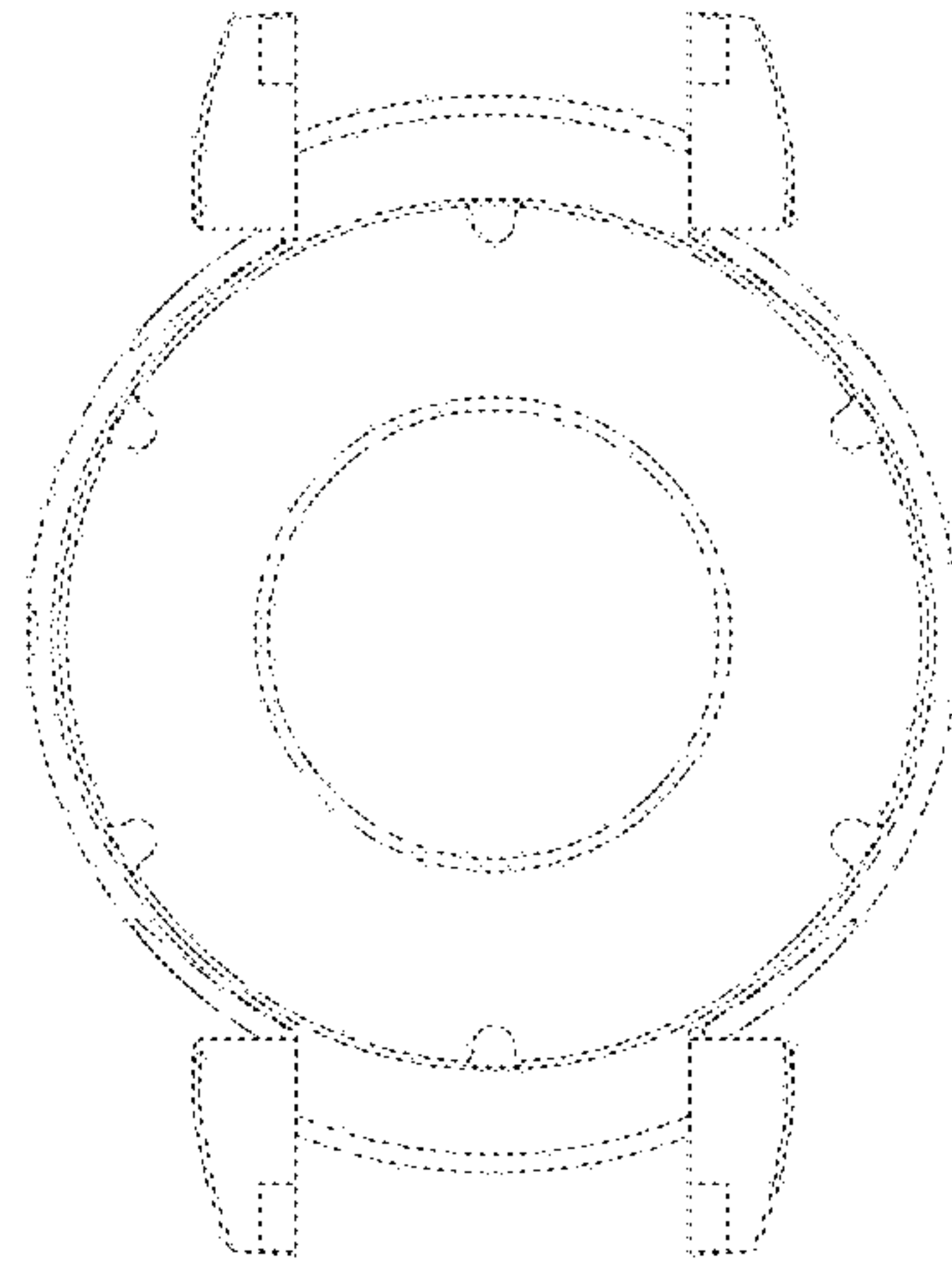


Fig. 2

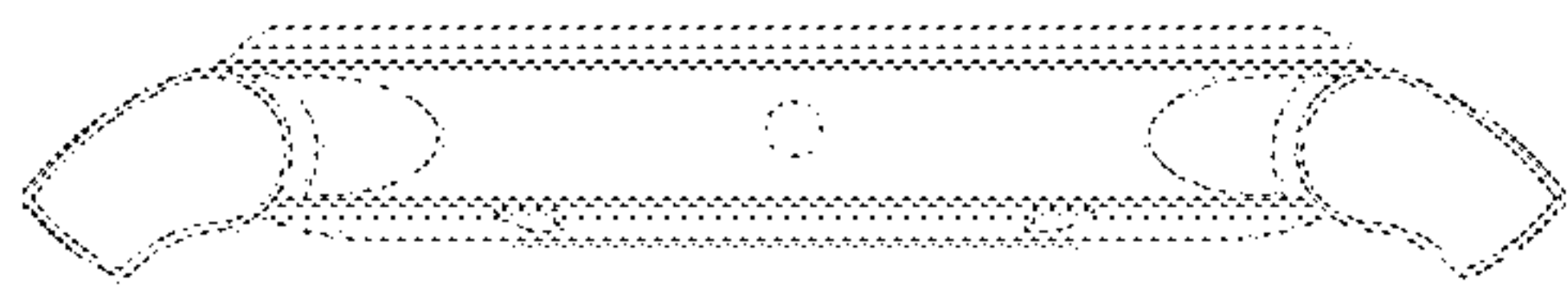


Fig. 3

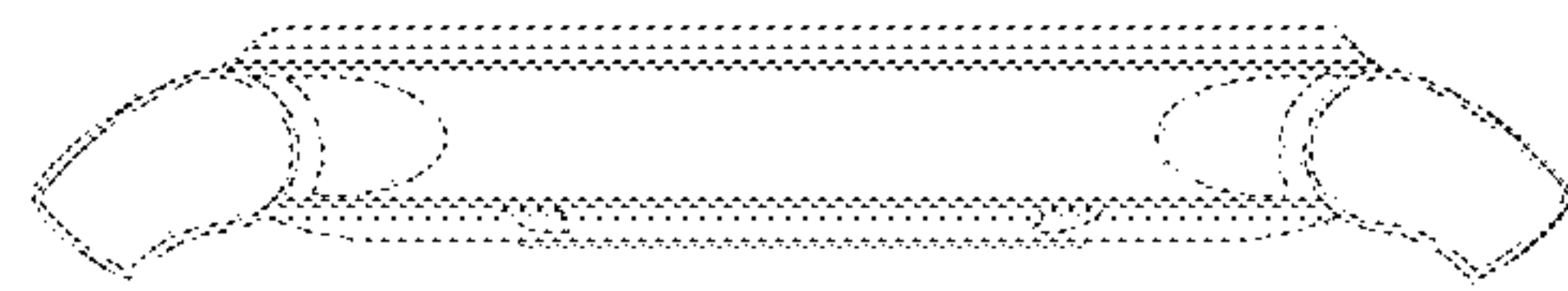


Fig. 4

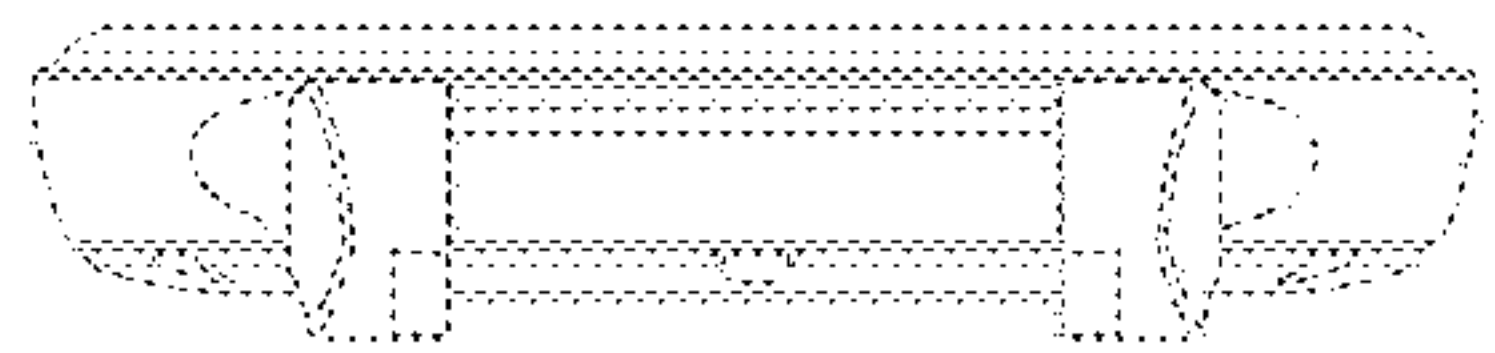


Fig. 5

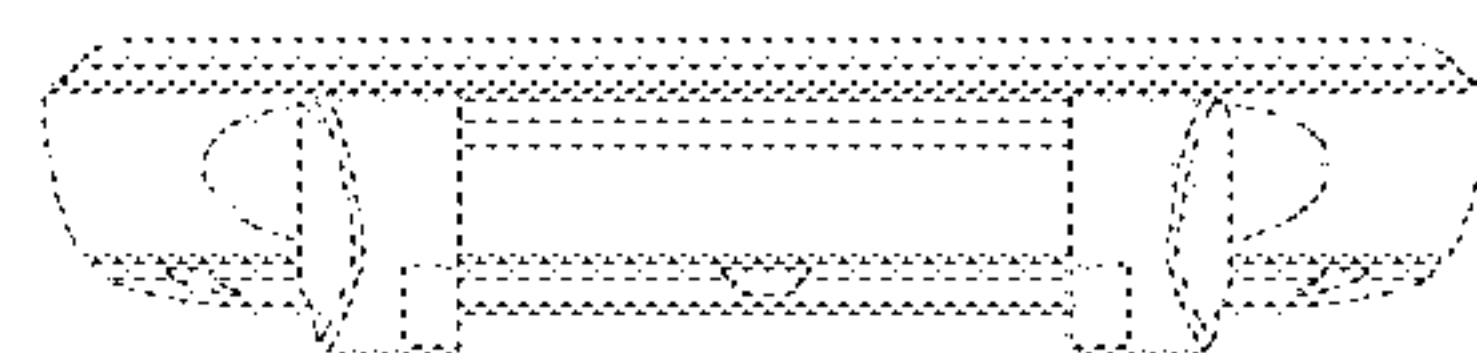


Fig. 6

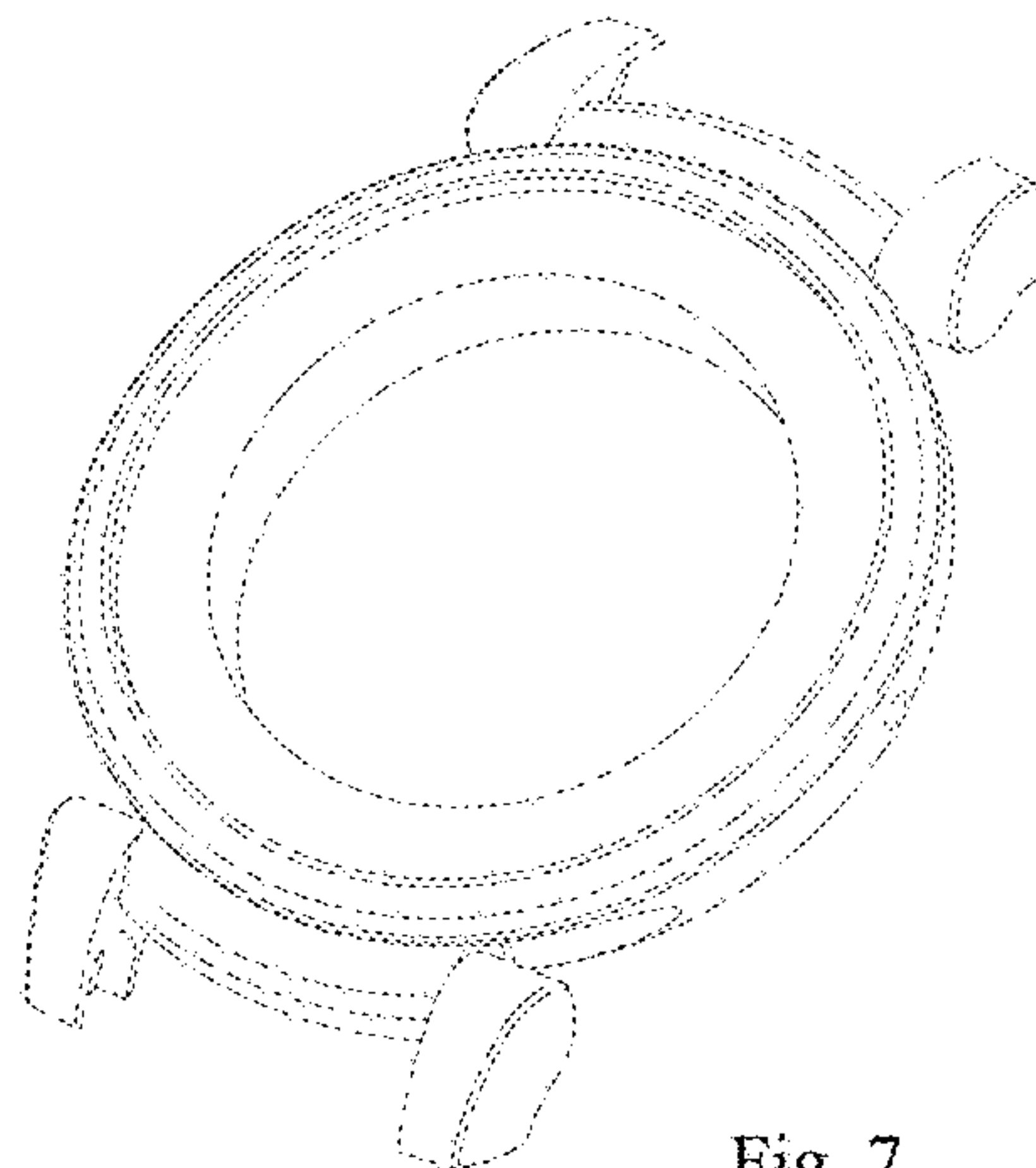


Fig. 7