



US00D849557S

(12) **United States Design Patent** (10) **Patent No.:** **US D849,557 S**
Troudt et al. (45) **Date of Patent:** **** May 28, 2019**

(54) **CONTAINER**

(71) Applicant: **D6 Inc.**, Portland, OR (US)

(72) Inventors: **Martin Troudt**, Wood Village, OR (US); **Ed Dominion**, Portland, OR (US); **Ryan Newson**, Portland, OR (US)

(73) Assignee: **D6 Inc.**, Portland, OR (US)

(**) Term: **15 Years**

(21) Appl. No.: **29/619,254**

(22) Filed: **Sep. 27, 2017**

(51) **LOC (11) Cl.** **09-03**

(52) **U.S. Cl.**

USPC **D9/737**

(58) **Field of Classification Search**

USPC D9/341, 347, 414-432, 440, 444, 447, D9/449, 450-454, 503, 504, 737, 759, D9/761; D7/672, 601, 550.1, 551.1, D7/551.2, 551.3, 552.1, 552.2, 553.1, D7/553.2, 553.3, 553.4, 553.5, 553.7, D7/553.8, 554.1, 554.3, 555, 557, 602, D7/629, 630, 538-542, 612-615, 584, D7/586, 587, 392.1, 709, 502, 608, 622, D7/701, 703, 543-549, 317-319, 391, D7/392, 396.2, 510, 511; D3/273, D3/201-206, 276, 283, 284, 295, 274, D3/302; D11/143; 249/126, 134; 206/216, 217, 541-550, 518, 557, 558, 206/561, 564, 223, 467; 220/669-673, 220/675, 574-575, 573.1, 4.21, 660, 326, 220/236, 780-806, 4.24, 288, 260, 266, 220/306, 352, 356, 523, 23.8, 23.2, 23.83, 220/23.4, 662, 792-799, 700, 701, 703, 220/711, 713-715, 719; 426/106; 229/107, 406, 120, 125.17; 215/211, 200, 215/224, 243

CPC B65D 1/36; B65D 2543/00194; B65D 2543/00296; B65D 2543/00555; B65D 2581/3425; B65D 25/04; B65D 43/0218; B65D 2543/00083; B65D 2543/00268;

(Continued)

(56) **References Cited**

U.S. PATENT DOCUMENTS

D195,682 S * 7/1963 Grogel D7/553.2
3,401,863 A * 9/1968 Earl B65D 1/36
220/645

(Continued)

OTHER PUBLICATIONS

Szuah Meal Prep Containers, available Mar. 27, 2018, [online], [site visited Apr. 30, 2018]. Available from internet, <URL: https://www.amazon.com/dp/B07BRGDW9M/ref=sspa_dk_detail_8?psc=1&pd_rd_i=B07BRGDW9M&pd_rd_wg=AtJiT&pd_rd_r=XAERYR2YDM9E1C52C5X2&pd_rd_w=wJzkV (Year: 2018).*

(Continued)

Primary Examiner — Cathron C Brooks

Assistant Examiner — W. A. Teddy Falloway

(74) *Attorney, Agent, or Firm* — Stoel Rives LLP

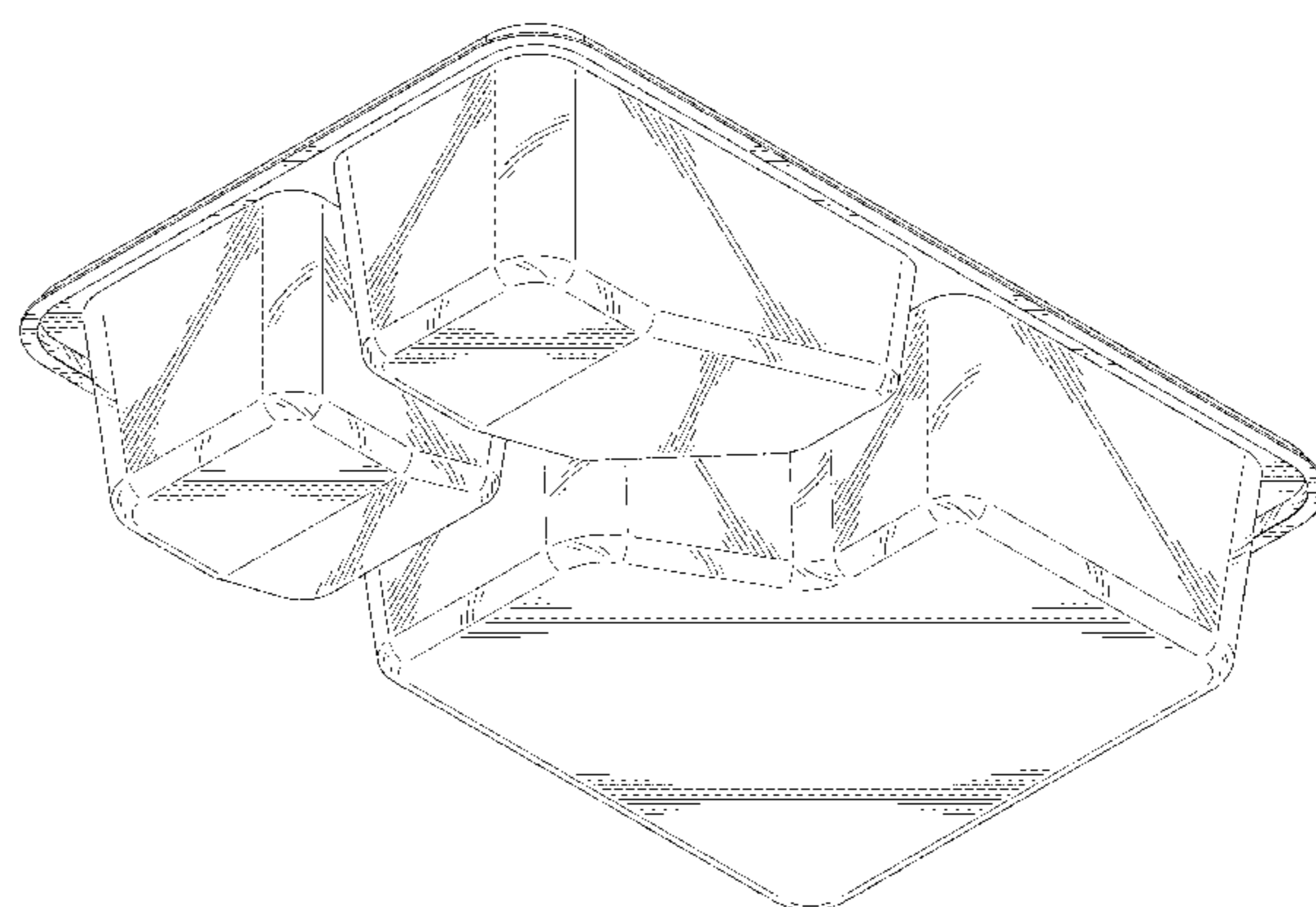
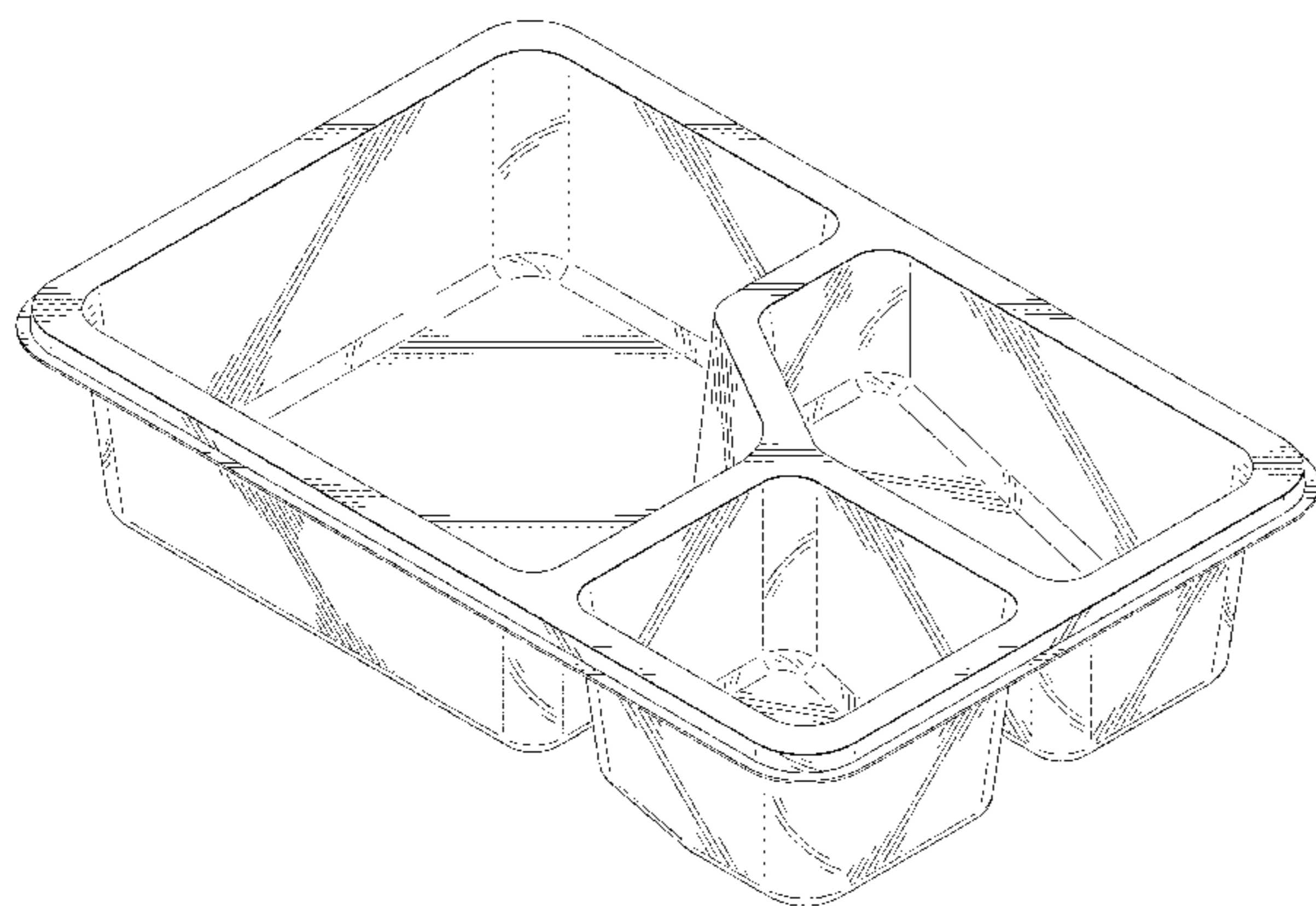
(57) **CLAIM**

The ornamental design for a container, as shown and described.

DESCRIPTION

FIG. 1 is a front, top perspective view of a container showing our new design;
FIG. 2 is a front elevation view thereof;
FIG. 3 is a rear elevation view thereof;
FIG. 4 is a right side view thereof;
FIG. 5 is a left side view thereof;
FIG. 6 is a top plan view thereof;
FIG. 7 is a bottom plan view thereof; and,
FIG. 8 is a front, bottom perspective view thereof.
Any line shading shown illustrates the character and/or contour of the surfaces of the design.

1 Claim, 6 Drawing Sheets



(58) **Field of Classification Search**

CPC B65D 2543/00277; B65D 2543/00351;
 B65D 81/3453; B65D 43/16; B65D
 51/28; B65D 43/162; B65D 1/24; B65D
 21/0237; B65D 2543/00101; A47G 19/02;
 A47G 19/065; A47G 23/0608; A47G
 23/06

See application file for complete search history.

(56) **References Cited**

U.S. PATENT DOCUMENTS

D224,585 S * 8/1972 Jewell D9/761
 D224,586 S * 8/1972 Jewell D9/761
 D235,498 S * 6/1975 Day D7/553.3
 D235,499 S * 6/1975 Day D7/553.3
 4,026,457 A * 5/1977 Schubert B65D 1/36
 220/23.8
 D276,201 S * 11/1984 Wolff D7/553.3
 D280,060 S * 8/1985 Holzkopf D7/553.2
 D283,666 S * 5/1986 Holzkopf D7/357
 D352,203 S * 11/1994 Campbell D7/546
 D376,953 S * 12/1996 Dunn D7/549
 D378,726 S * 4/1997 Dunn D7/549
 D379,301 S * 5/1997 Lippincott D9/424
 D395,003 S * 6/1998 Daniels D9/737
 5,839,574 A * 11/1998 Lorence B65D 77/0433
 206/216
 6,119,862 A * 9/2000 Childress B65D 1/36
 206/557
 D432,409 S * 10/2000 Feldmeier D9/737
 D451,769 S * 12/2001 Stanos D7/629
 D456,247 S * 4/2002 Castellanos D9/425
 D461,406 S * 8/2002 Iacovelli D9/432
 D463,977 S * 10/2002 Castellanos D9/425
 6,471,084 B2 * 10/2002 Erb B65D 1/36
 220/359.4
 D471,766 S * 3/2003 Bradley D7/549
 D494,857 S * 8/2004 Chen D9/424
 D504,326 S * 4/2005 Vovan D9/425
 7,017,774 B2 * 3/2006 Haedt B65D 1/28
 206/564
 D555,475 S * 11/2007 Enriquez D9/432
 D586,623 S * 2/2009 Dunn D7/541
 D606,885 S * 12/2009 Olsson D7/555
 7,874,449 B1 * 1/2011 Studee A47G 19/02
 206/219
 D695,107 S * 12/2013 Clements D9/425

D714,660 S * 10/2014 Tilahun D9/737
 D780,599 S * 3/2017 Tilahun D9/737
 D792,222 S * 7/2017 Sill D9/456
 D798,166 S * 9/2017 Tilahun D9/737
 D798,167 S * 9/2017 Bennett D9/762
 D798,738 S * 10/2017 Tilahun D9/737
 2002/0108955 A1 * 8/2002 Erb B65D 1/36
 220/359.4
 2007/0178194 A1 * 8/2007 Everard A23G 3/54
 426/106
 2016/0302597 A1 * 10/2016 Cross A47G 19/02

OTHER PUBLICATIONS

Bento Box Base, available Apr. 14, 2018, [online], [site visited Apr. 30, 2018]. Available from internet, <URL: https://web.archive.org/web/20180414081122/http://www.pak-rite.com.au/3_dash_745727/BENTO-BOX-BASE/pd.php (Year: 2018).*

3-Compartment Food Container, available Apr. 30, 2018, [online], [site visited Apr. 30, 2018]. Available from internet, <URL: <http://jiaxingbest.nnanufacturer.globalsources.com/si/6008845131807/pdtl/Disposable-food-container/1159465261/3-compartment-food-container.htm> (Year: 2018).*

TNG 4-Comp Bento Boxes with Lids, available Apr. 30, 2018, [online], [site visited Apr. 30, 2018]. Available from internet, <URL: <http://tngpackaging.com/products/containers/?&SingleProduct=261> (Year: 2018).*

Enhance 4 Compartment + 1 Sauce Bento Packaging, available Apr. 30, 2018, [online], [site visited Apr. 30, 2018]. Available from internet, <URL: <https://www.happypacksg.com/products/enhance-bento-box-50-per-lot> (Year: 2018).*

U.S. Appl. No. 29/619,250 filed Sep. 27, 2017, 23 pages.
 U.S. Appl. No. 29/619,250 Office Action dated May 14, 2018, 19 pages.
 U.S. Appl. No. 29/619,250 Response to Office Action dated Aug. 14, 2018, 19 pages.
 U.S. Appl. No. 29/619,255 filed Sep. 27, 2017, 23 pages.
 U.S. Appl. No. 29/619,255 Office Action May 1, 2018, 15 pages.
 U.S. Appl. No. 29/619,255 Response to Office Action dated Jul. 30, 2018, 8 pages.
 U.S. Appl. No. 29/619,255 Office Action dated Sep. 11, 2018, 7 pages.
 U.S. Appl. No. 29/619,257 filed Sep. 27, 2017, 23 pages.
 U.S. Appl. No. 29/619,257 Office Action dated May 1, 2018, 15 pages.
 U.S. Appl. No. 29/619,257 Response to Office Action dated Jul. 30, 2018, 8 pages.

* cited by examiner

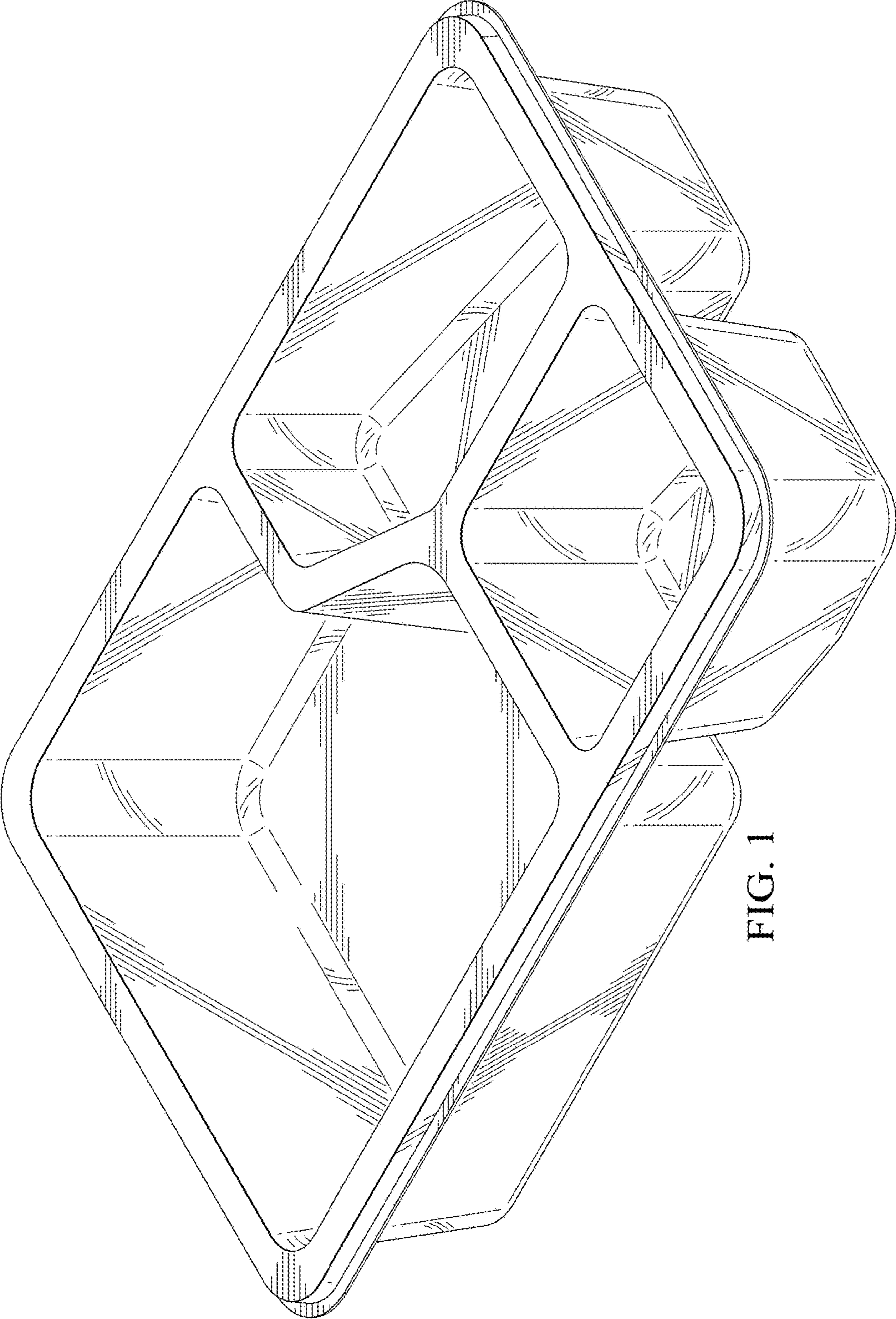


FIG. 1

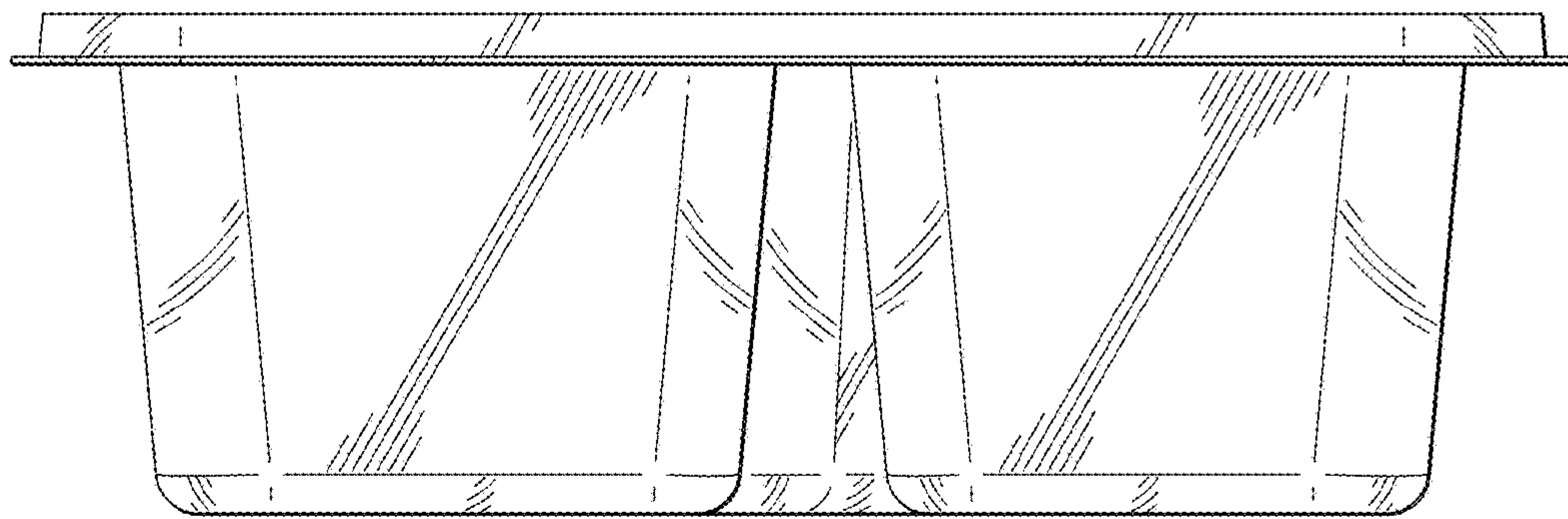


FIG. 2

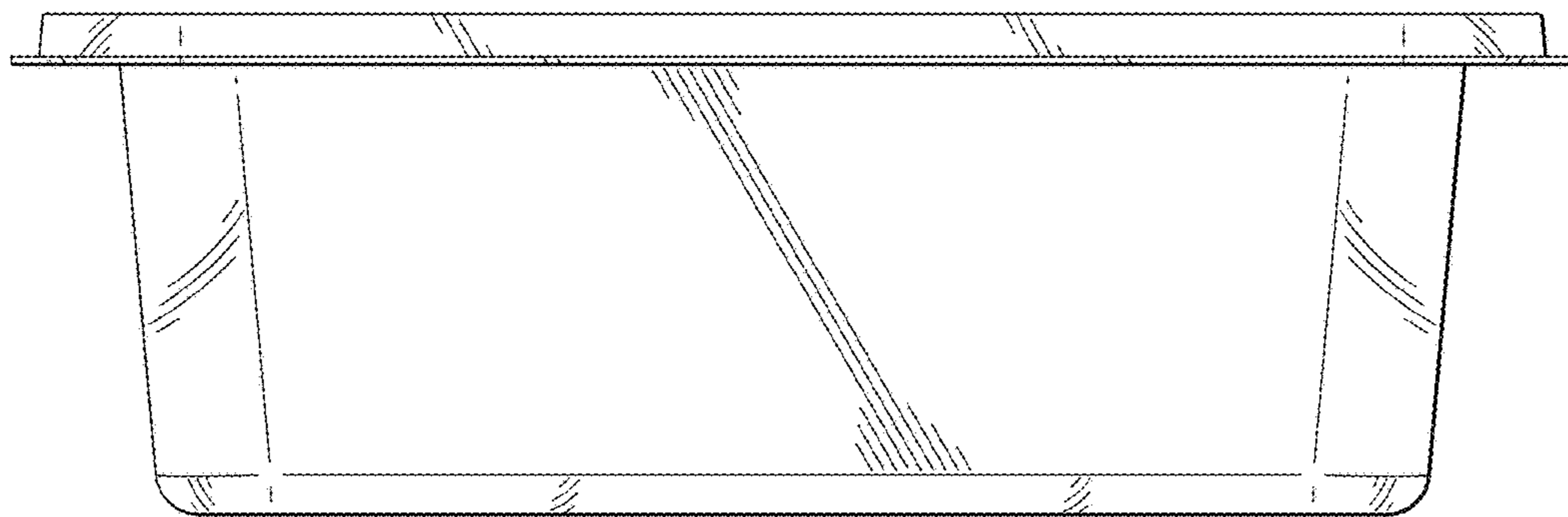


FIG. 3

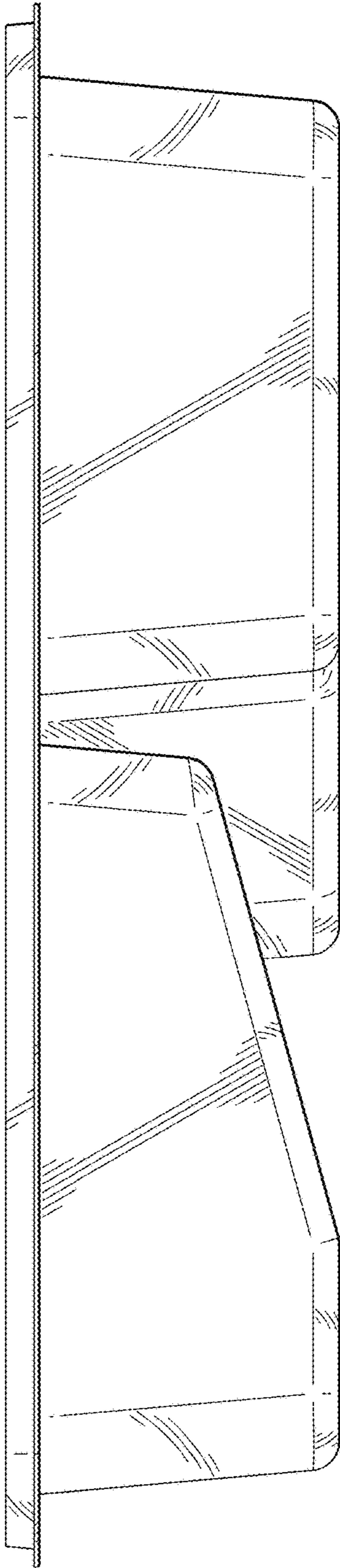


FIG. 4

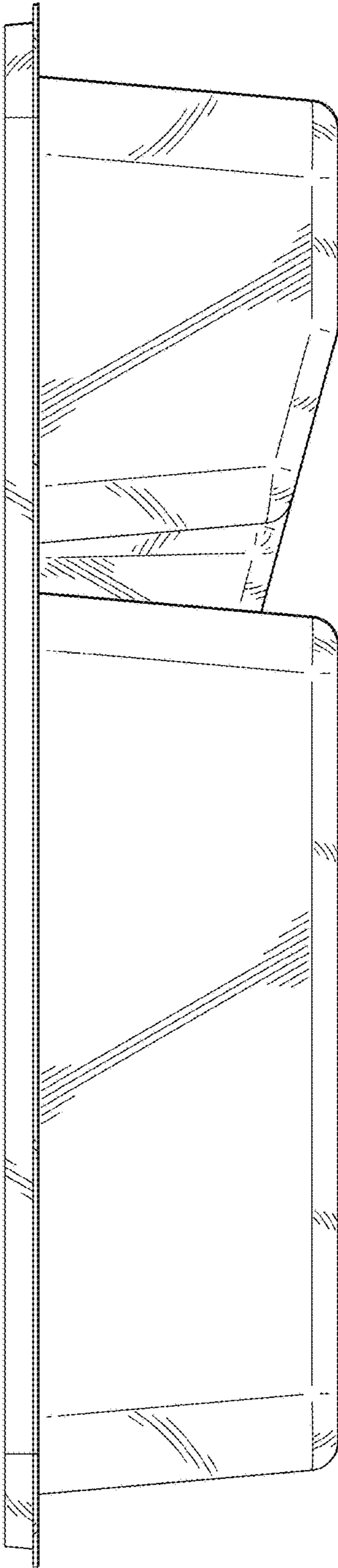


FIG. 5

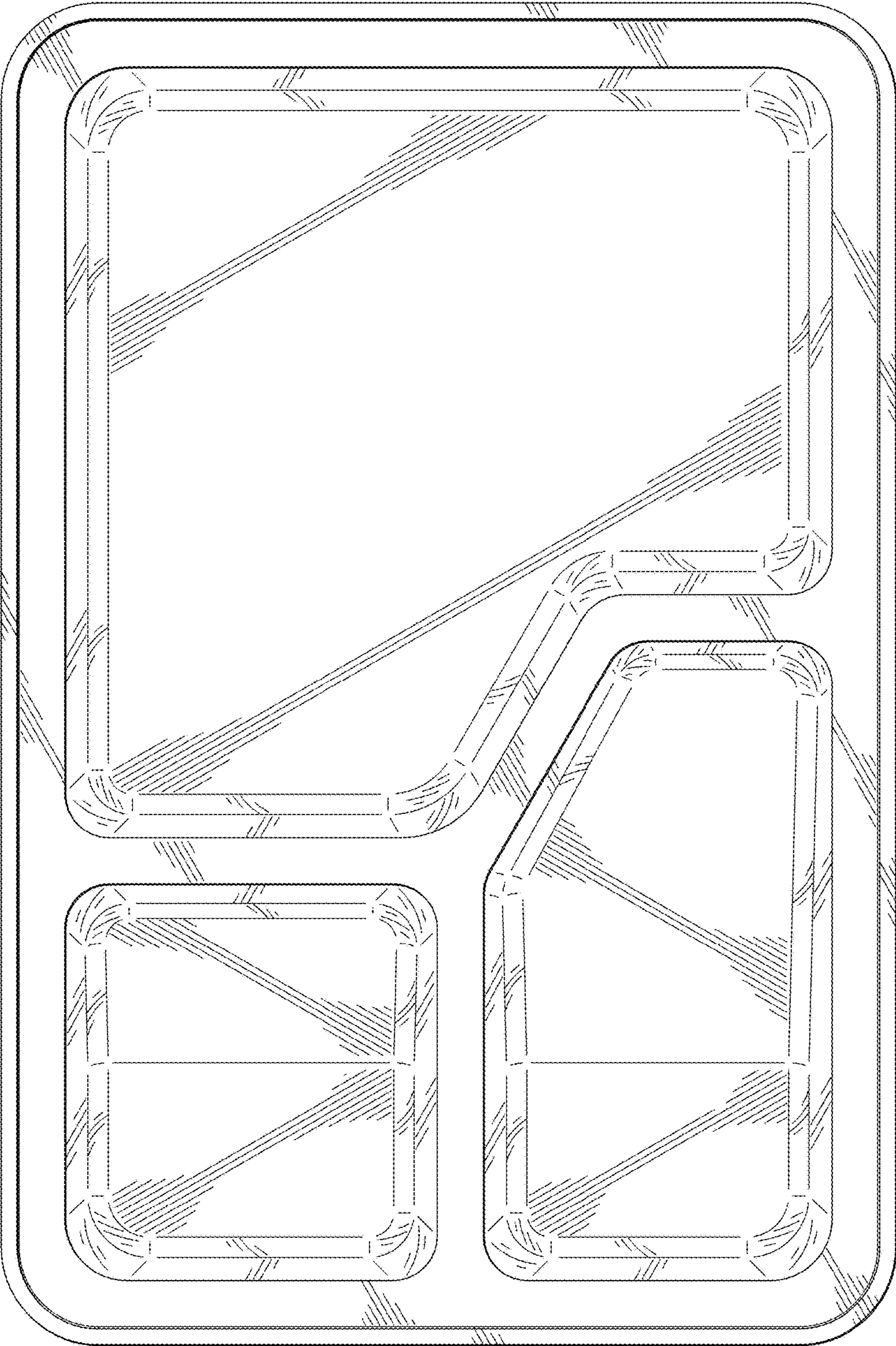


FIG. 6

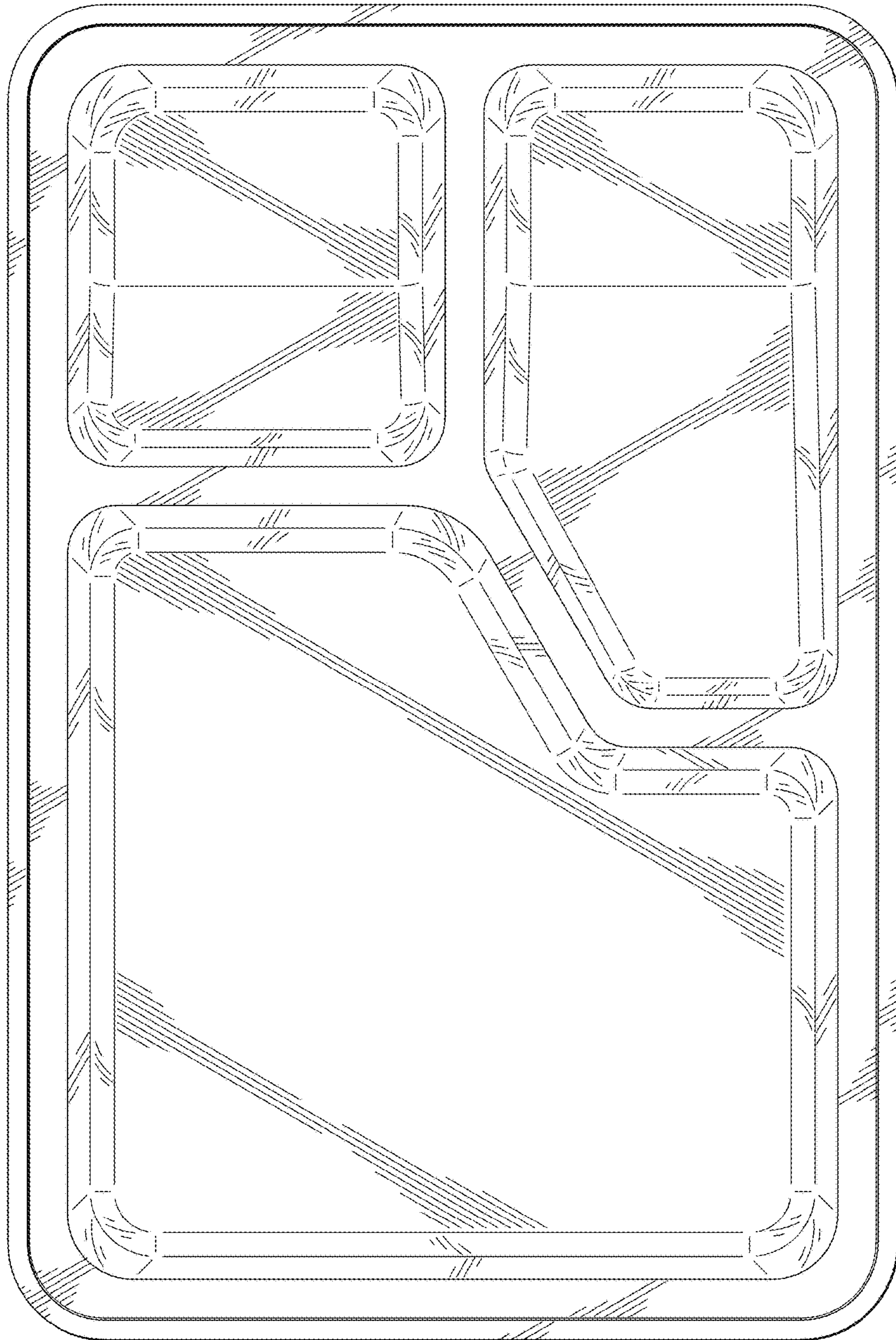


FIG. 7

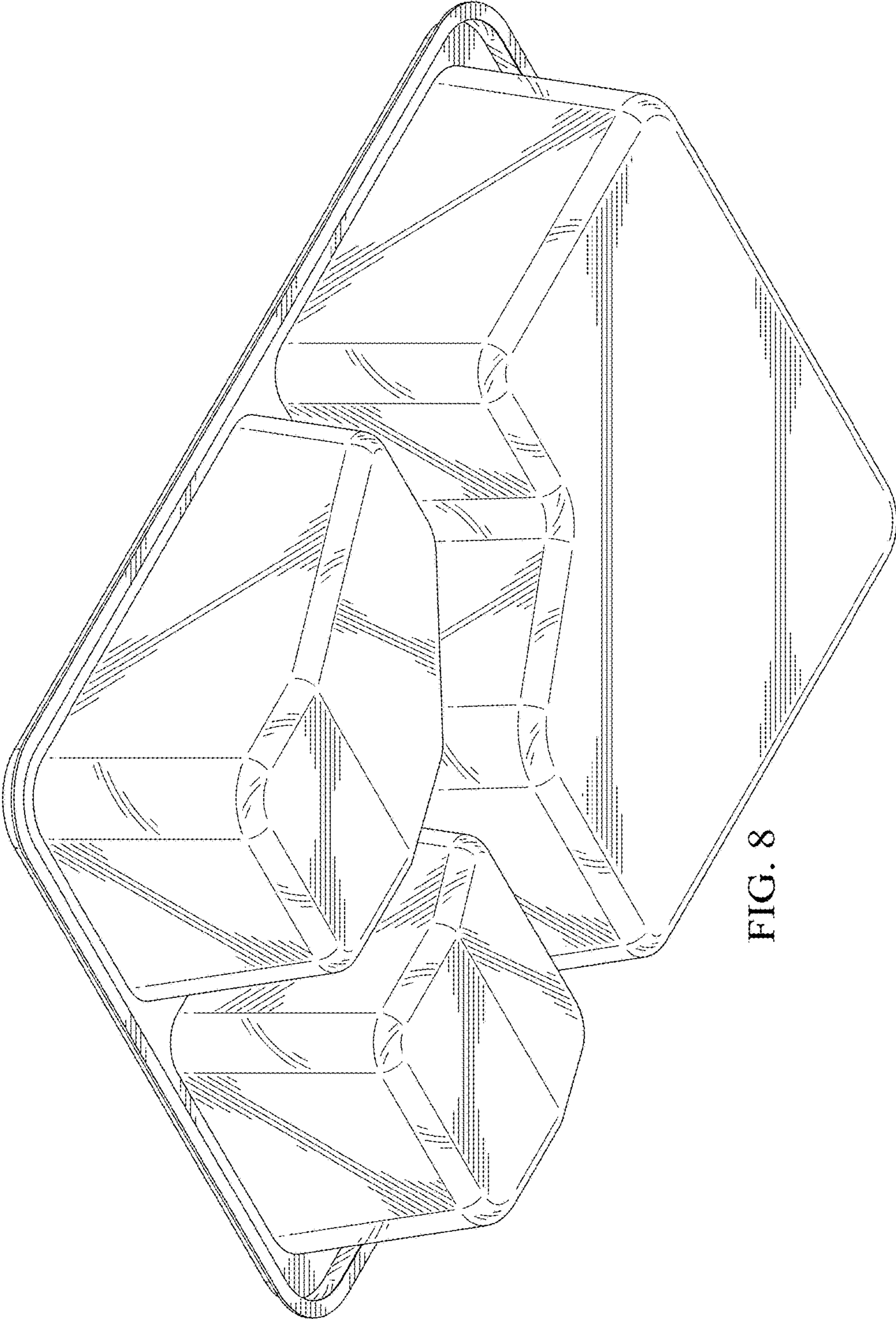


FIG. 8