



US00D849556S

(12) **United States Design Patent** (10) **Patent No.:** **US D849,556 S**  
**Honadel et al.** (45) **Date of Patent:** **\*\* May 28, 2019**

(54) **UTILITY KNIFE BLADE STORAGE PACK** 5,251,783 A \* 10/1993 Gringer ..... B65D 83/10  
221/102

(71) Applicant: **Fiskars Brands, Oy Ab**, Helsinki (FI) 5,584,123 A 12/1996 Chi  
5,661,908 A 9/1997 Chen

(72) Inventors: **Aaron Honadel**, Verona, WI (US); D412,655 S 8/1999 Gilbert et al.  
**Colin Roberts**, Waunakee, WI (US) D414,670 S 10/1999 Linden  
D420,270 S 2/2000 Martone

(73) Assignee: **Fiskars Finland Oy Ab**, Helsinki (FI) 6,158,616 A \* 12/2000 Huang ..... B65D 83/10  
221/102

(\*\*) Term: **15 Years** D439,492 S 3/2001 Martone et al.  
D445,662 S 7/2001 Huang  
D458,106 S 6/2002 Chong

(21) Appl. No.: **29/603,076** D462,861 S \* 9/2002 Schmidt ..... D6/526  
6,449,850 B1 9/2002 Gilbert

(22) Filed: **May 5, 2017** 6,467,173 B1 10/2002 Umstead et al.  
6,598,761 B1 \* 7/2003 Chou ..... B65D 83/10  
221/228

(51) **LOC (11) Cl.** ..... **09-01**

(52) **U.S. Cl.**  
USPC ..... **D9/735**

(58) **Field of Classification Search**  
USPC ..... D9/415, 418, 414, 433, 720, 735, 730,  
D9/733; D3/205; D6/515, 526  
CPC ..... A24F 27/00; B65D 51/0223; B65D  
2543/0026; B65D 83/10; B65D 83/0847;  
B65D 83/0409; B65D 83/0418; B65D  
83/02; B65D 25/10; B65D 5/72; B65D  
5/48024; B65D 5/724; B65D 85/00;  
B65D 85/60

See application file for complete search history.

(Continued)

*Primary Examiner* — Lauren R Calve  
(74) *Attorney, Agent, or Firm* — Foley & Lardner LLP

(57) **CLAIM**

We claim the ornamental design for a utility knife blade storage pack, as shown and described.

**DESCRIPTION**

FIG. 1 is a top perspective view of a utility knife blade storage pack;  
FIG. 2 is left side view thereof;  
FIG. 3 is a right side view thereof;  
FIG. 4 is a rear view thereof;  
FIG. 5 is a front view thereof;  
FIG. 6 is a top view thereof;  
FIG. 7 is a bottom view thereof; and,  
FIG. 8 is a bottom perspective view thereof.  
Any portion of the article depicted in broken lines forms no part of the claimed design. Broken lines formed by equal length dashes show unclaimed subject matter.

**1 Claim, 5 Drawing Sheets**

(56) **References Cited**

U.S. PATENT DOCUMENTS

3,650,433 A \* 3/1972 Robertson ..... B65D 83/0823  
221/65

D224,290 S \* 7/1972 Robertson ..... D9/735

4,379,514 A \* 4/1983 Joffe ..... B65D 83/10  
221/279

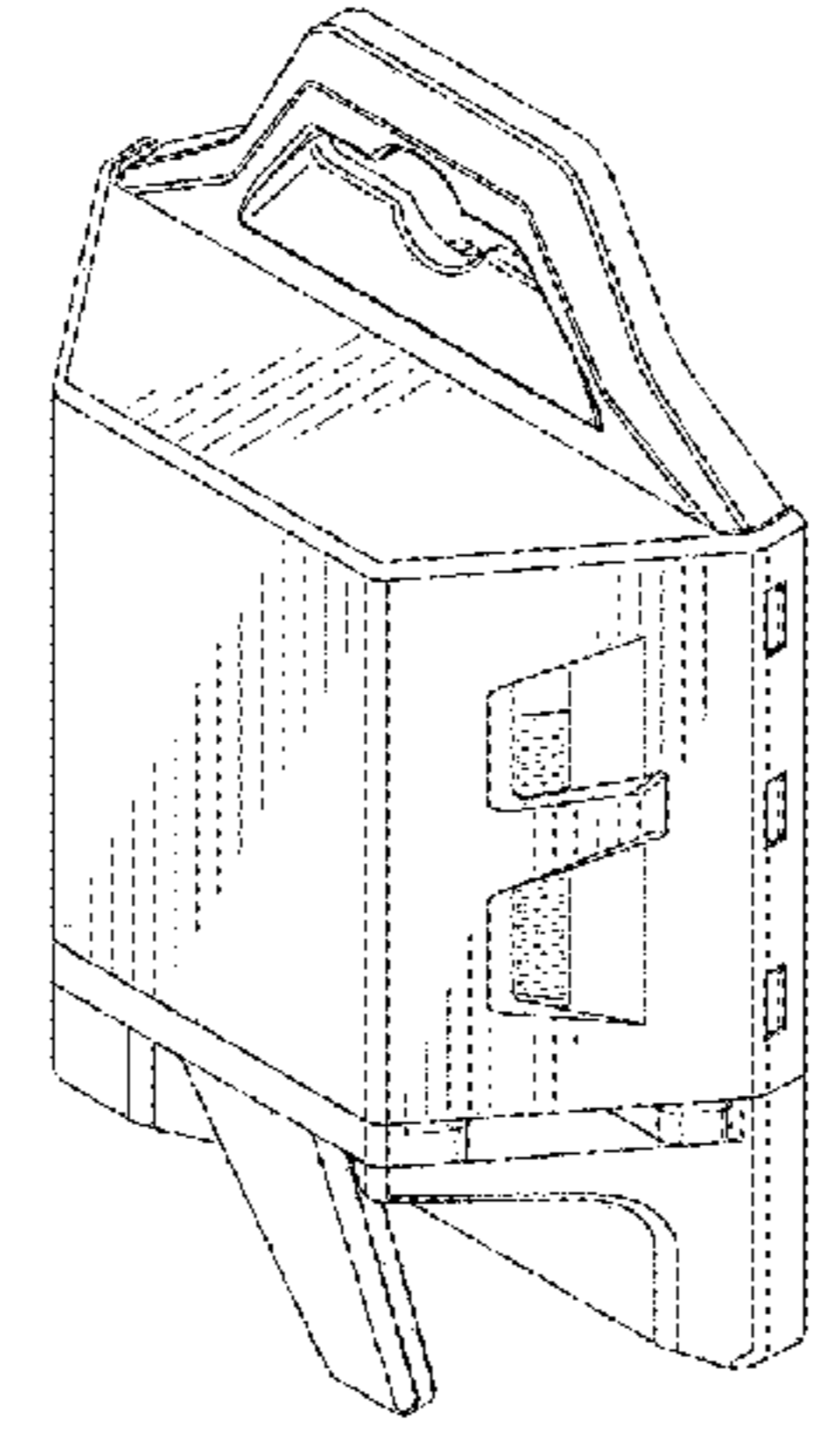
4,660,284 A 4/1987 Decarolis

4,789,080 A \* 12/1988 Iten ..... B65D 83/10  
221/279

D299,413 S 1/1989 Decarolis

4,850,512 A \* 7/1989 Vujovich ..... B65D 83/10  
206/355

4,936,014 A 6/1990 Shaanan et al.



(56)

References Cited

U.S. PATENT DOCUMENTS

6,789,326 B1	9/2004	Huang	D705,033 S	5/2014	Dahlberg et al.
D510,010 S	9/2005	Brown et al.	D720,628 S	1/2015	Erdmann
D511,447 S	11/2005	Brown et al.	D731,280 S	6/2015	Dahlberg et al.
D525,104 S	7/2006	Samberg	D731,281 S	6/2015	Dahlberg et al.
7,093,367 B1	8/2006	Huang	D731,282 S	6/2015	Dahlberg et al.
D527,602 S	9/2006	Axon et al.	D731,283 S	6/2015	Dahlberg et al.
D536,624 S *	2/2007	Novak ..... D9/735	D731,870 S	6/2015	Dahlberg et al.
D551,933 S	10/2007	Guo	D735,552 S	8/2015	Hung
D553,936 S	10/2007	Takamasa	D738,182 S	9/2015	Parker et al.
D554,774 S	11/2007	Antonic	9,162,811 B2 *	10/2015	Schneider ..... B65D 83/10
D558,555 S	1/2008	Huang	D751,883 S	3/2016	Huang et al.
D560,462 S	1/2008	Takamasa	D756,191 S	5/2016	Horovitz et al.
D560,999 S	2/2008	Ping	D767,915 S	10/2016	Held
D564,328 S	3/2008	Smith	D793,198 S	8/2017	Wang
D565,919 S	4/2008	Kondo et al.	2003/0085236 A1 *	5/2003	Schmidt ..... B65D 83/10
D572,107 S	7/2008	Maraia et al.			221/232
7,516,550 B2	4/2009	Hagan et al.	2004/0099682 A1 *	5/2004	Huang ..... B65D 83/10
D596,915 S	7/2009	Garcia et al.			221/232
D602,326 S	10/2009	Garcia et al.	2004/0178214 A1 *	9/2004	Wei ..... B25H 3/00
D603,680 S	11/2009	Wu			221/247
7,797,835 B2	9/2010	Zeng	2006/0272157 A1	12/2006	Zeng
D624,833 S	10/2010	Van Deursen	2016/0304269 A1	10/2016	Erdmann et al.
D686,481 S	7/2013	Robinson et al.	2017/0021511 A1	1/2017	Chiu
8,539,680 B2	9/2013	Strauss	2017/0174412 A1	6/2017	Wonderley et al.
			2018/0021964 A1	1/2018	Rohrbach

\* cited by examiner

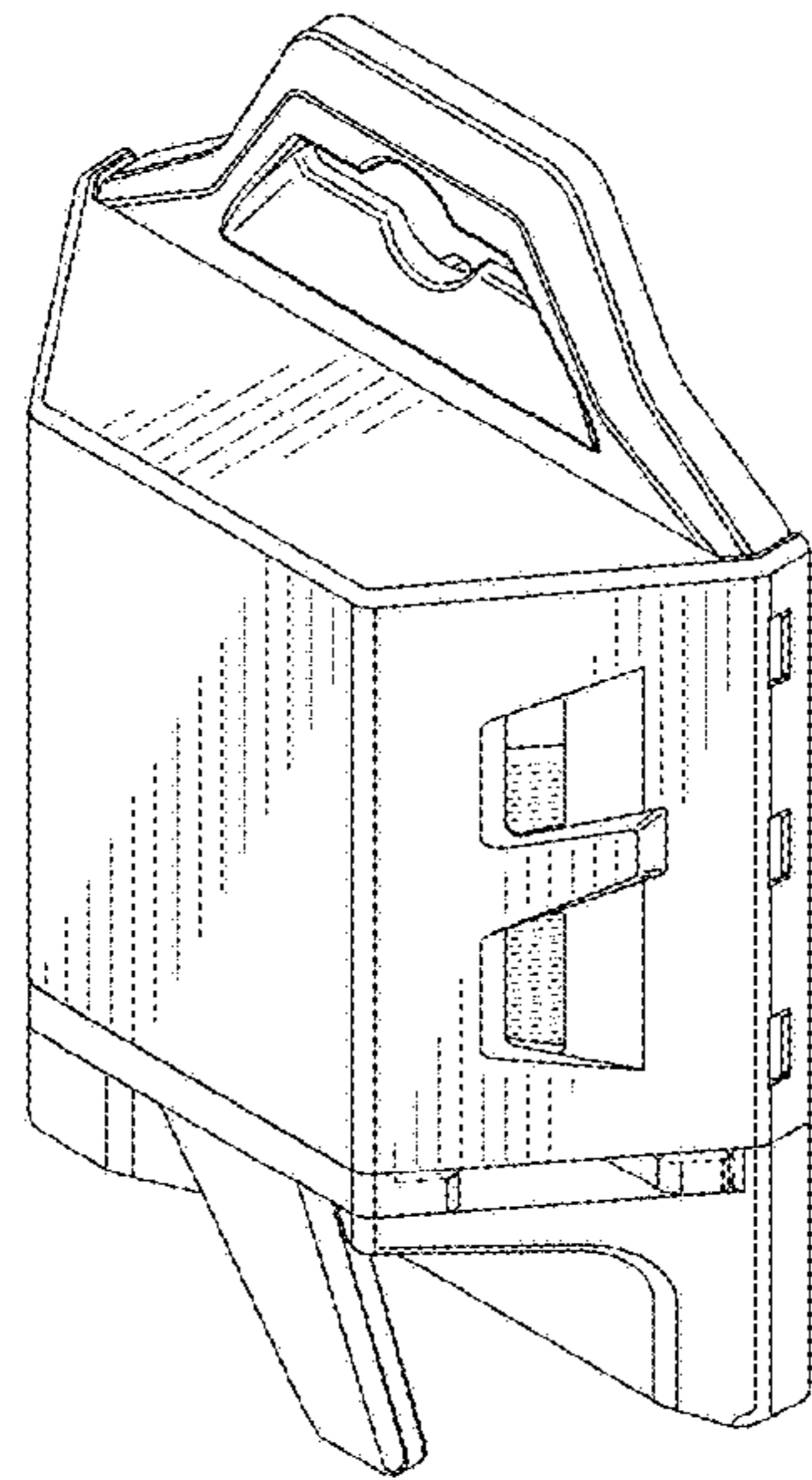


FIG. 1

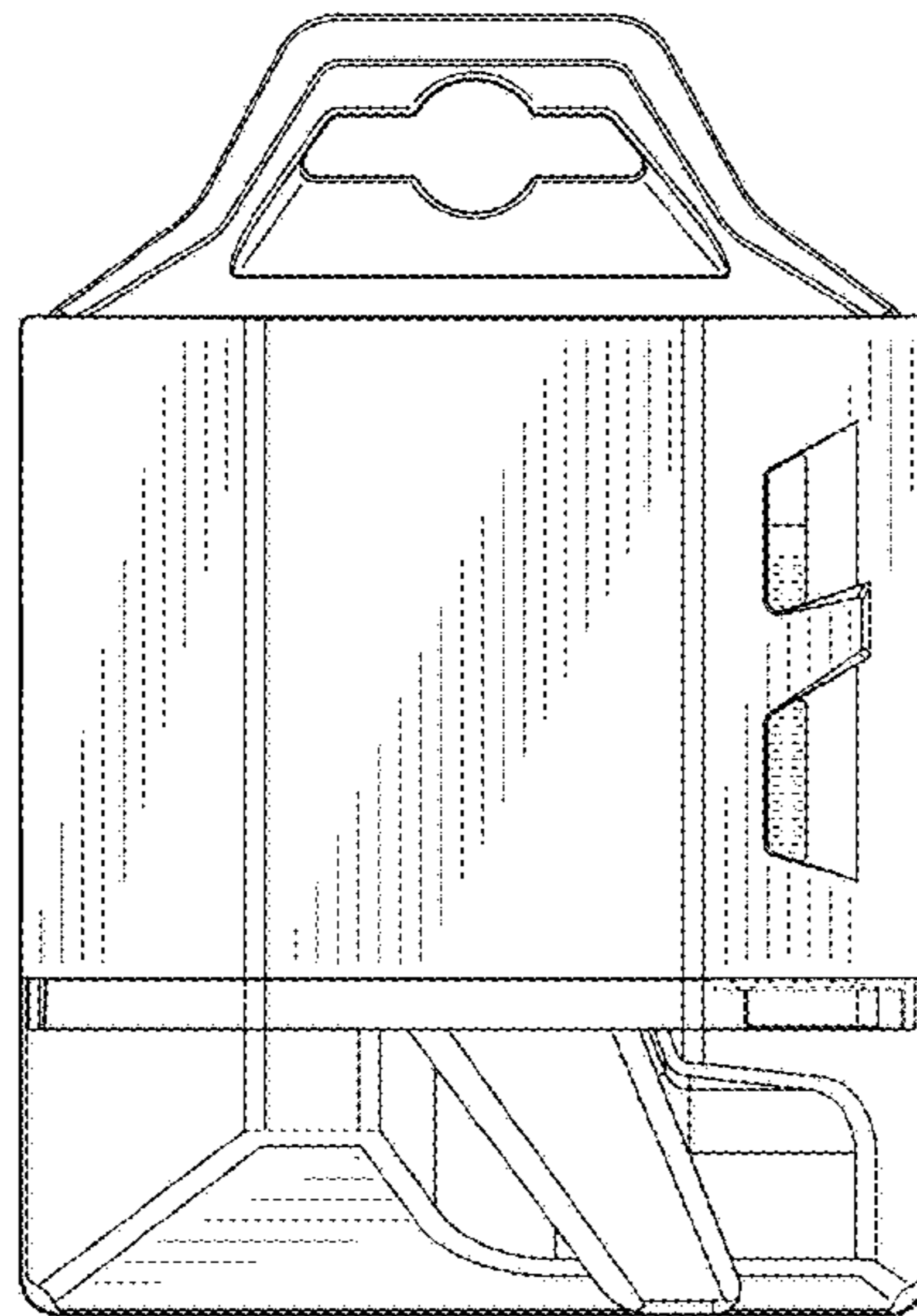


FIG. 2

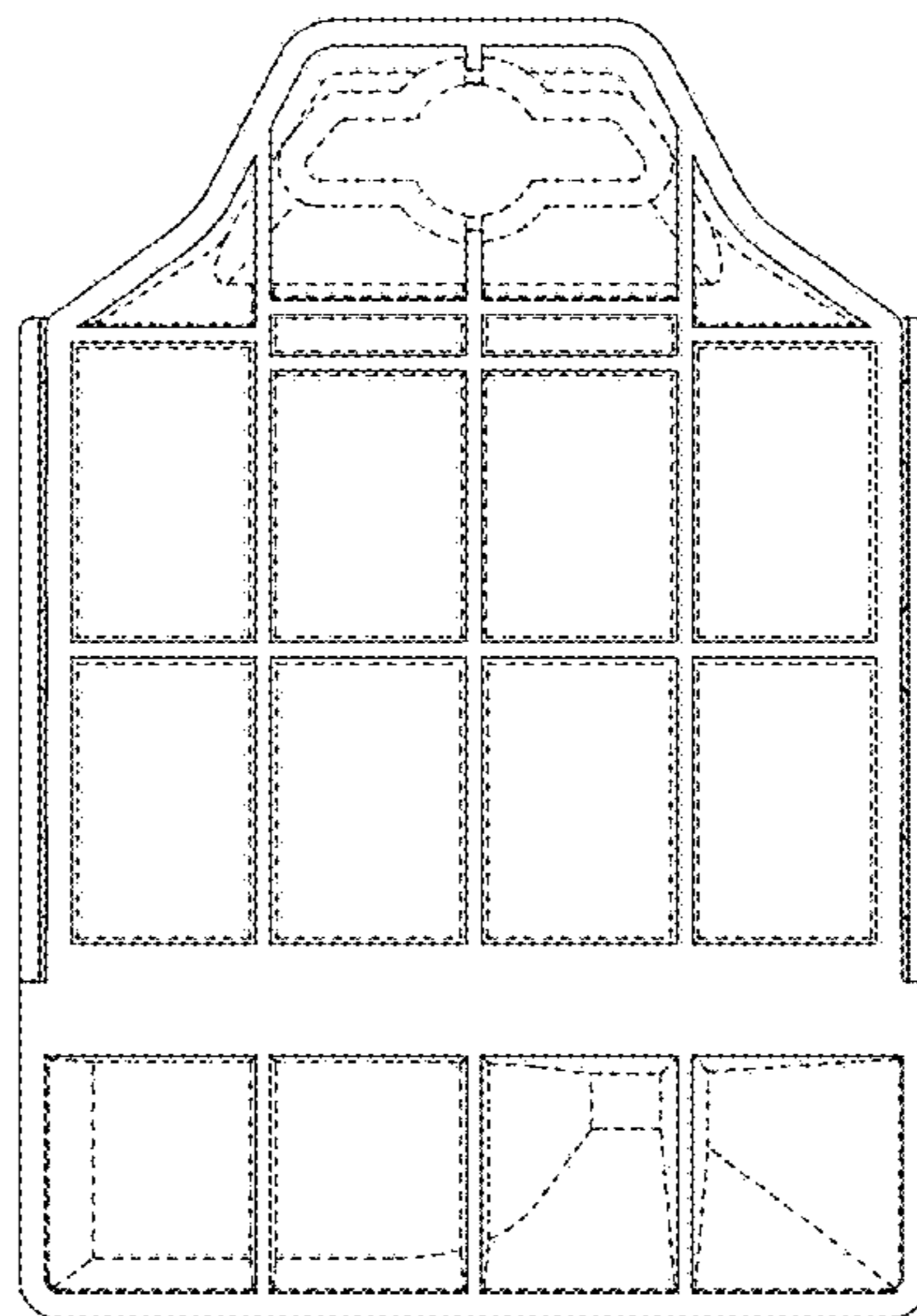


FIG. 3

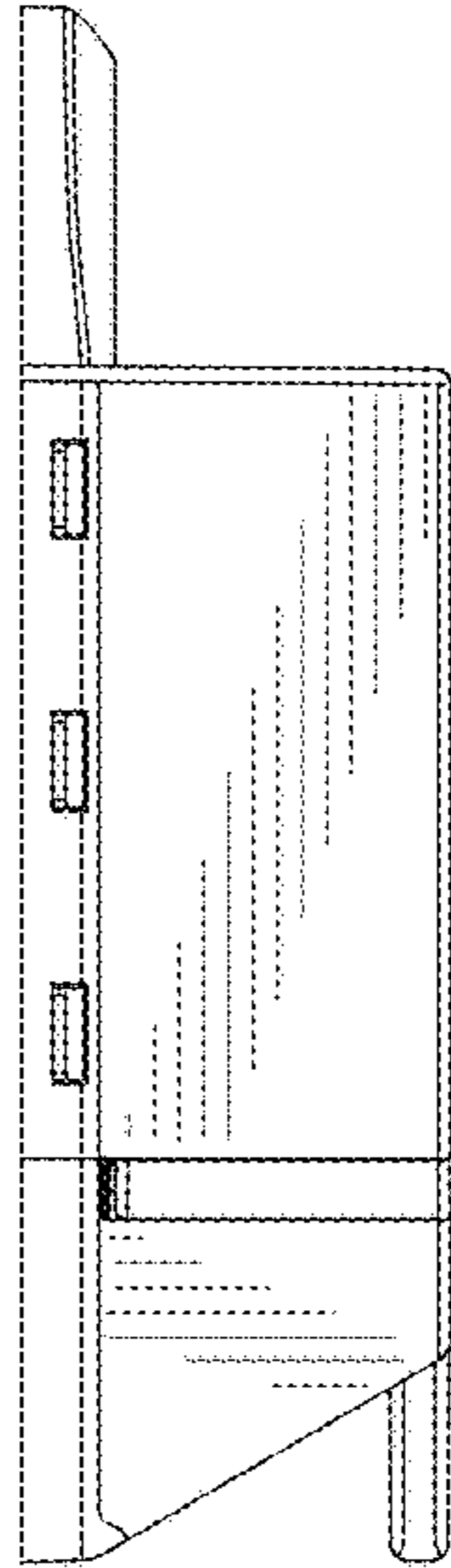


FIG. 4

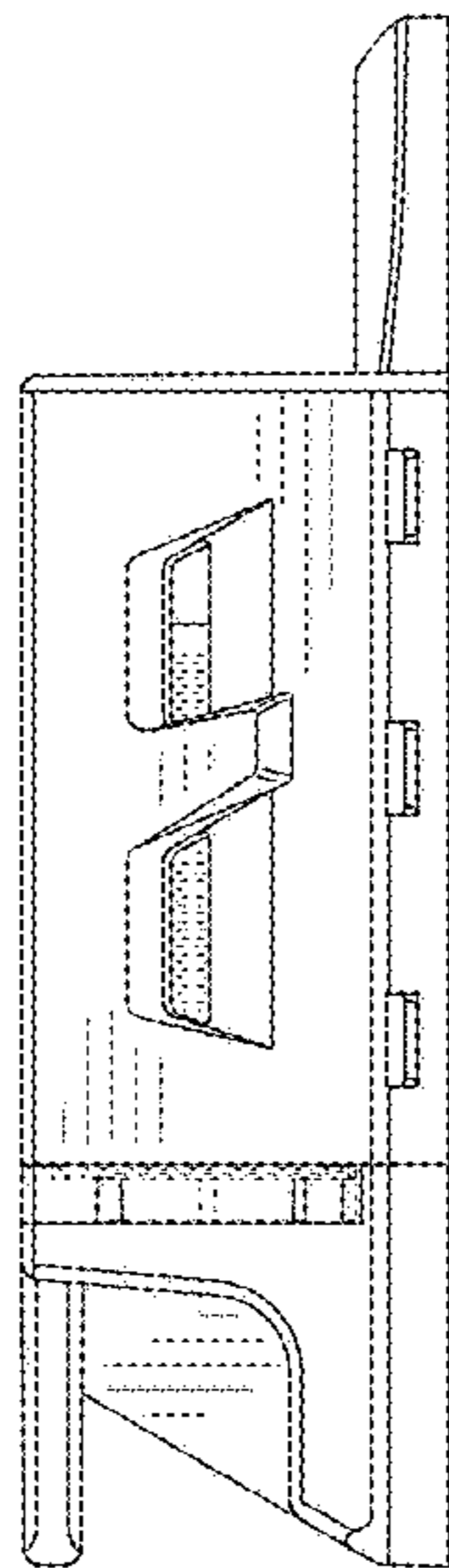


FIG. 5

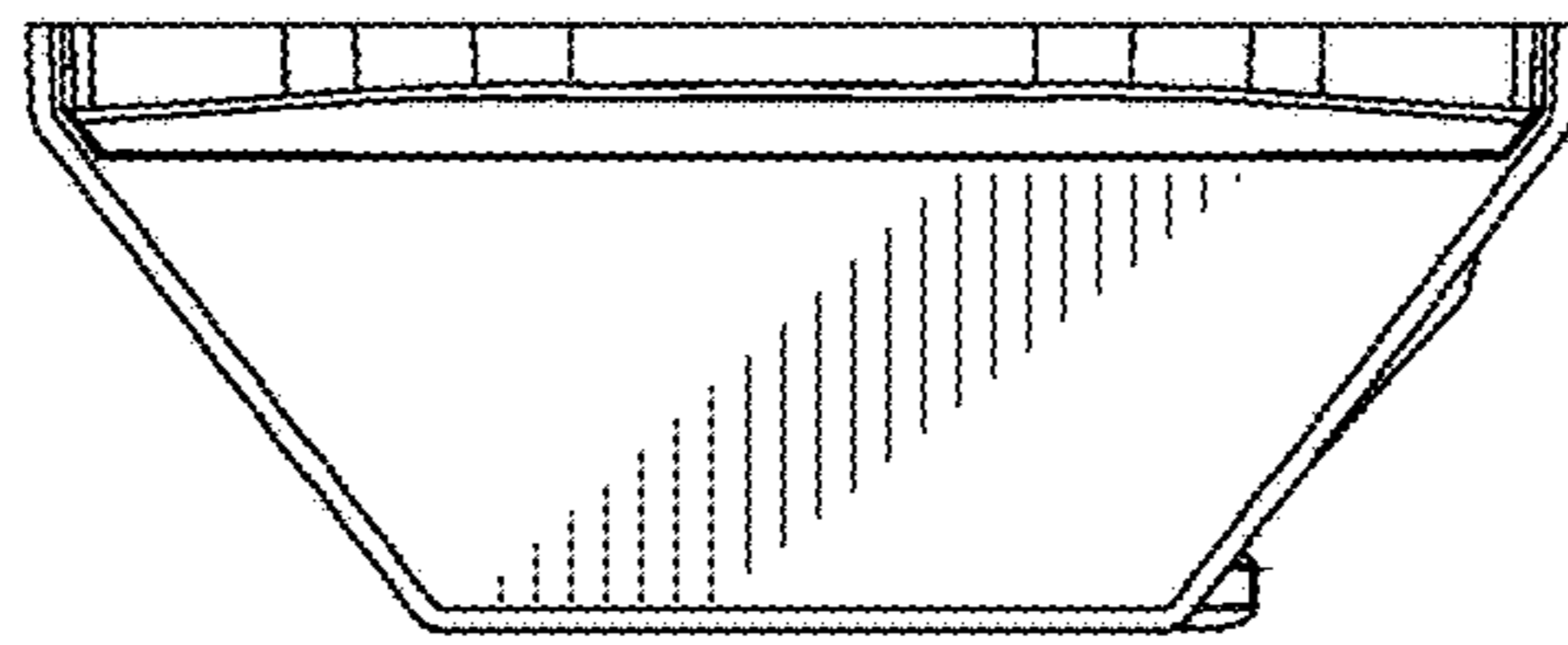


FIG. 6

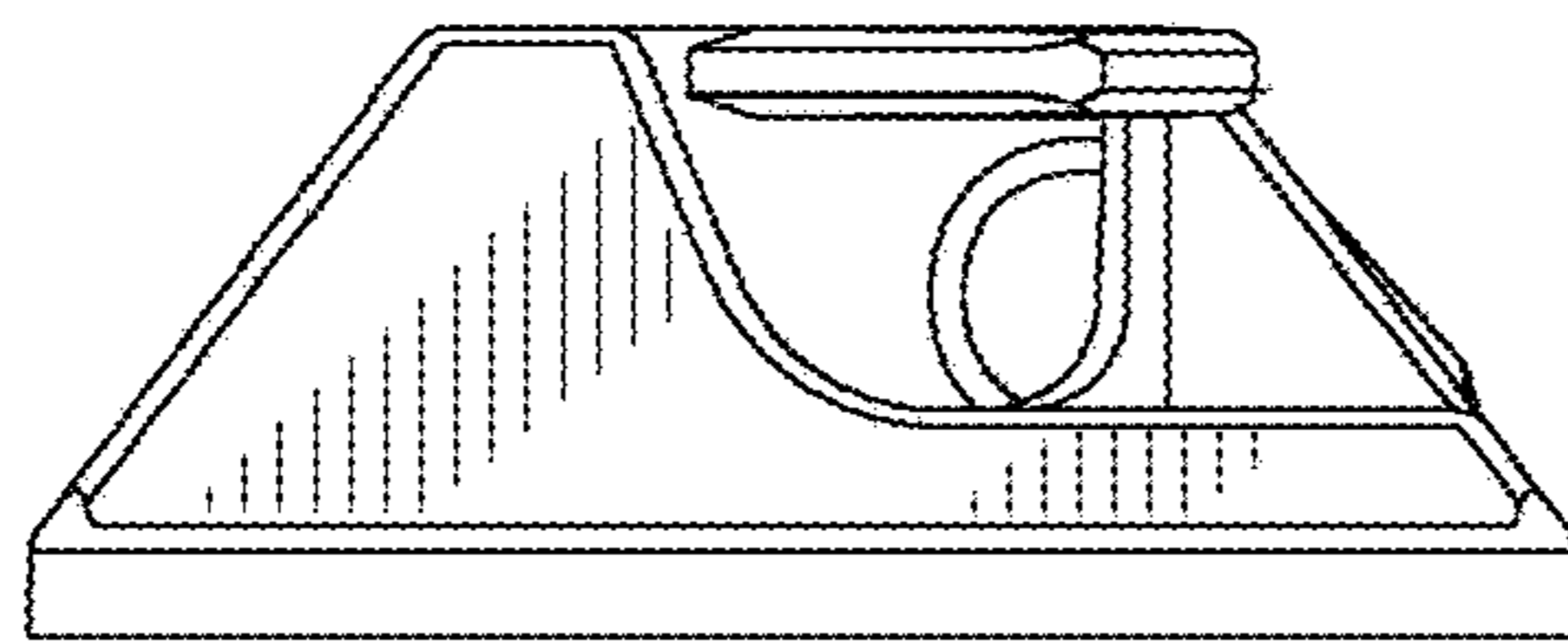


FIG. 7

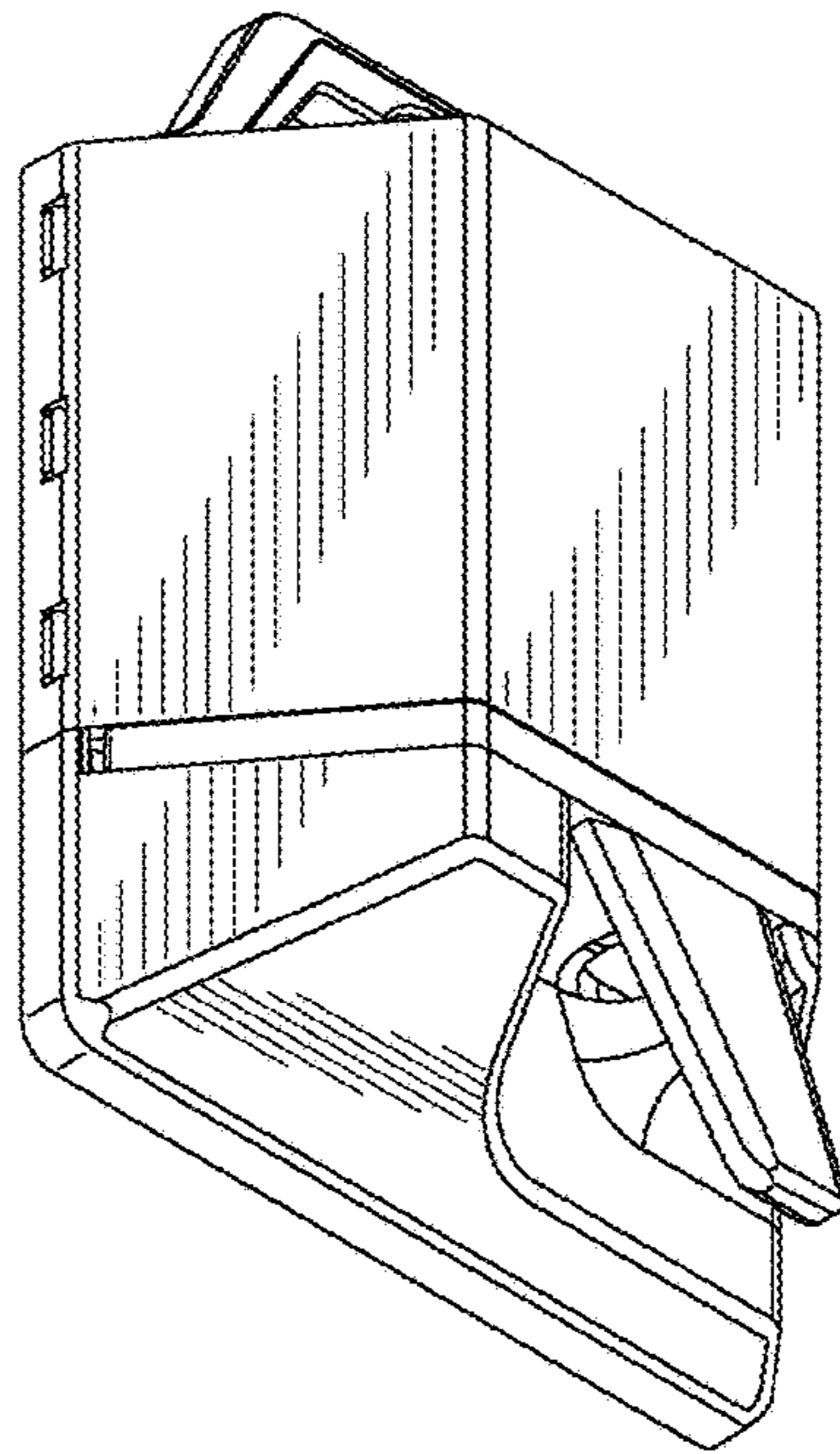


FIG. 8