



US00D849551S

(12) **United States Design Patent** (10) **Patent No.:** **US D849,551 S**
Kelley et al. (45) **Date of Patent:** **** *May 28, 2019**

- (54) **CONTAINER**
- (71) Applicant: **Ring Container Technologies, LLC**,
Oakland, TN (US)
- (72) Inventors: **Paul Vincent Kelley**, Arlington, TN
(US); **Trevell A. Terry**, Southaven, MS
(US)
- (73) Assignee: **RING CONTAINER
TECHNOLOGIES, LLC**, Oakland,
TN (US)
- (*) Notice: This patent is subject to a terminal dis-
claimer.
- (**) Term: **15 Years**
- (21) Appl. No.: **29/619,519**
- (22) Filed: **Sep. 29, 2017**
- (51) **LOC (11) Cl.** **09-01**
- (52) **U.S. Cl.**
USPC **D9/560; D9/574**
- (58) **Field of Classification Search**
USPC D9/516, 539-544, 559, 560, 565, 574,
D9/715, 719; D7/509, 517, 523, 529,
D7/598; D3/202
CPC B65D 1/0223; B65D 1/40; B65D 23/102;
B65D 2501/0081
See application file for complete search history.

- (56) **References Cited**
U.S. PATENT DOCUMENTS

D25,354 S	4/1896	Smalley
D25,355 S	4/1896	Smalley
D31,681 S	10/1899	Miller
D41,238 S	3/1911	Brawner
1,127,141 A	2/1915	Whitcomb
1,462,330 A	7/1923	Dunn
1,639,398 A	8/1927	Cunningham

- | | | | |
|--------------|---------|--------------------|--------|
| 2,364,126 A | 12/1944 | Cantor et al. | |
| 2,452,424 A | 10/1948 | Bell | |
| D204,501 S | 4/1966 | Ferar | |
| D208,731 S | 9/1967 | Reintsema | |
| 3,372,826 A | 3/1968 | Heaton | |
| 3,544,338 A | 12/1970 | Kinney | |
| D225,211 S | 11/1972 | Sackler | |
| D234,911 S | 4/1975 | Stevens, Jr. | |
| D247,471 S | 3/1978 | Strand | |
| D267,076 S | 11/1982 | Hurtig | |
| D269,595 S | 7/1983 | Murray | |
| D285,533 S | 9/1986 | Berish | |
| D285,904 S | 9/1986 | Holmstedt | |
| D308,337 S | 6/1990 | Weckman | |
| D313,176 S | 12/1990 | Okuda et al. | |
| D333,985 S * | 3/1993 | Maginnis, Jr. | D9/569 |
| 5,261,544 A | 11/1993 | Weaver, Jr. | |
| D343,793 S | 2/1994 | Crawford | |
| D346,963 S | 5/1994 | Crawford | |
- (Continued)

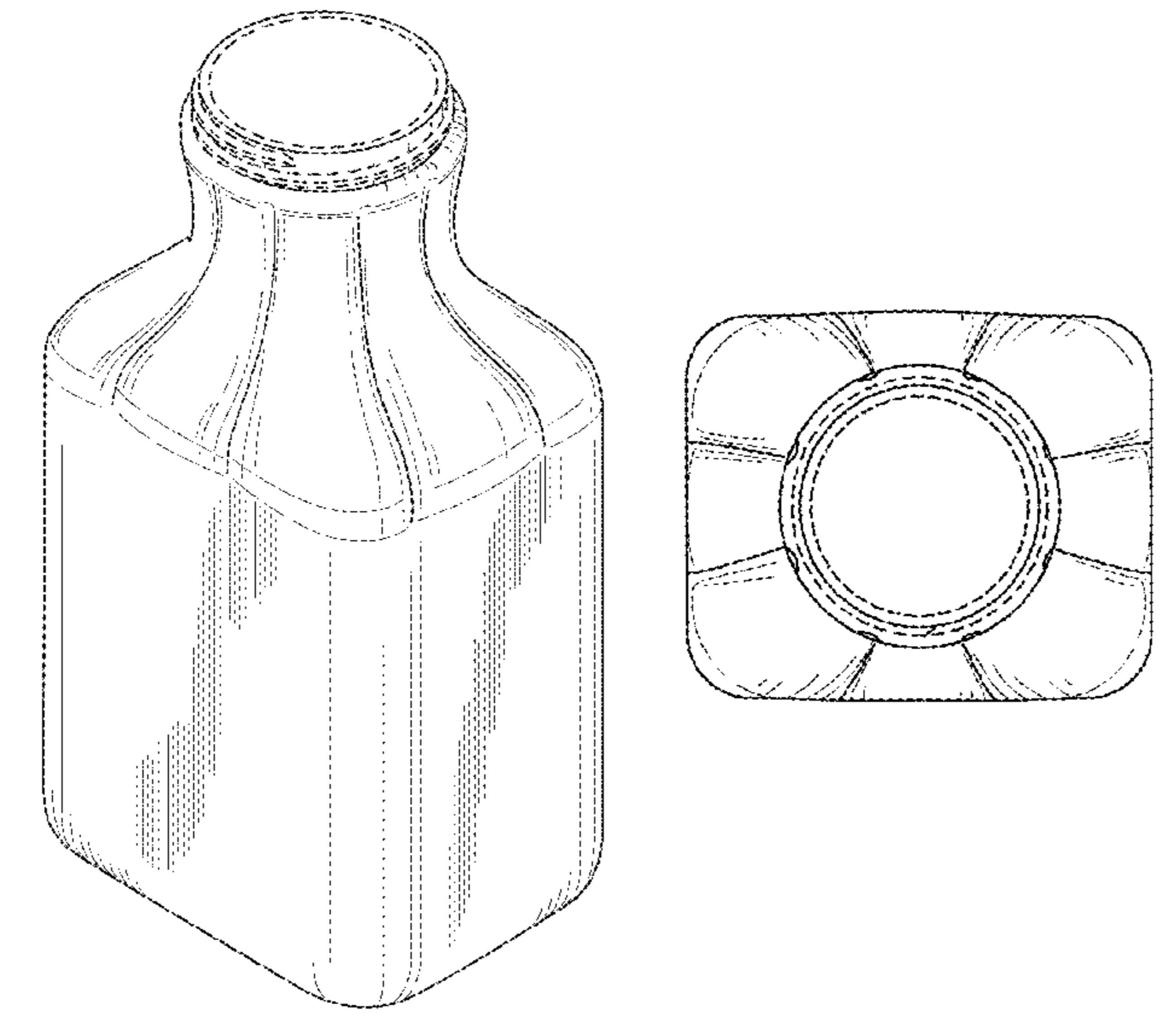
Primary Examiner — Ian Simmons
Assistant Examiner — Keith Frank
 (74) *Attorney, Agent, or Firm* — Sorell, Lenna &
 Schmidt, LLP

(57) **CLAIM**
 The ornamental design for a container, as shown and
 described.

DESCRIPTION

FIG. 1 is a perspective view of a container showing our new
 design;
 FIG. 2 is a front elevation view thereof, with the rear
 elevation view being the same;
 FIG. 3 is a right side elevation view thereof, with the left side
 elevation being the same;
 FIG. 4 is a top plan view thereof; and,
 FIG. 5 is a bottom plan view thereof.
 The broken lines in the drawings showing of the container
 illustrate the portions of the container that form no part of
 the claimed design.

1 Claim, 5 Drawing Sheets



(56)

References Cited

U.S. PATENT DOCUMENTS

D380,158	S *	6/1997	Olivares	D9/541
D384,890	S	10/1997	Goldman	
D395,396	S	6/1998	Kuzma	
D399,756	S	10/1998	Lonczak et al.	
D440,156	S	4/2001	Lonczak et al.	
D449,539	S *	10/2001	Lakatosh	D9/530
D488,060	S *	4/2004	Yourist	D9/560
D491,068	S	6/2004	Hellste	
D491,069	S	6/2004	Hellste	
D496,282	S	9/2004	Hellste	
D526,210	S *	8/2006	Beard	D9/560
D568,754	S *	5/2008	Sequeira	D9/560
D584,955	S *	1/2009	Hackl	D9/538
D600,565	S *	9/2009	Kuzma	D9/563
D635,462	S *	4/2011	Kuzma	D9/542
D656,405	S	3/2012	Byron	
D664,857	S *	8/2012	Finlay	D9/560
D666,915	S *	9/2012	Wiescinski	D9/541
D666,916	S *	9/2012	Enciso	D9/541
D667,731	S *	9/2012	Enciso	D9/541
D668,959	S *	10/2012	Brown	D9/541
D671,415	S *	11/2012	Enciso	D9/541
D721,973	S *	2/2015	Das	D9/542
2004/0104195	A1 *	6/2004	Yourist	B65D 1/0223 215/379

* cited by examiner

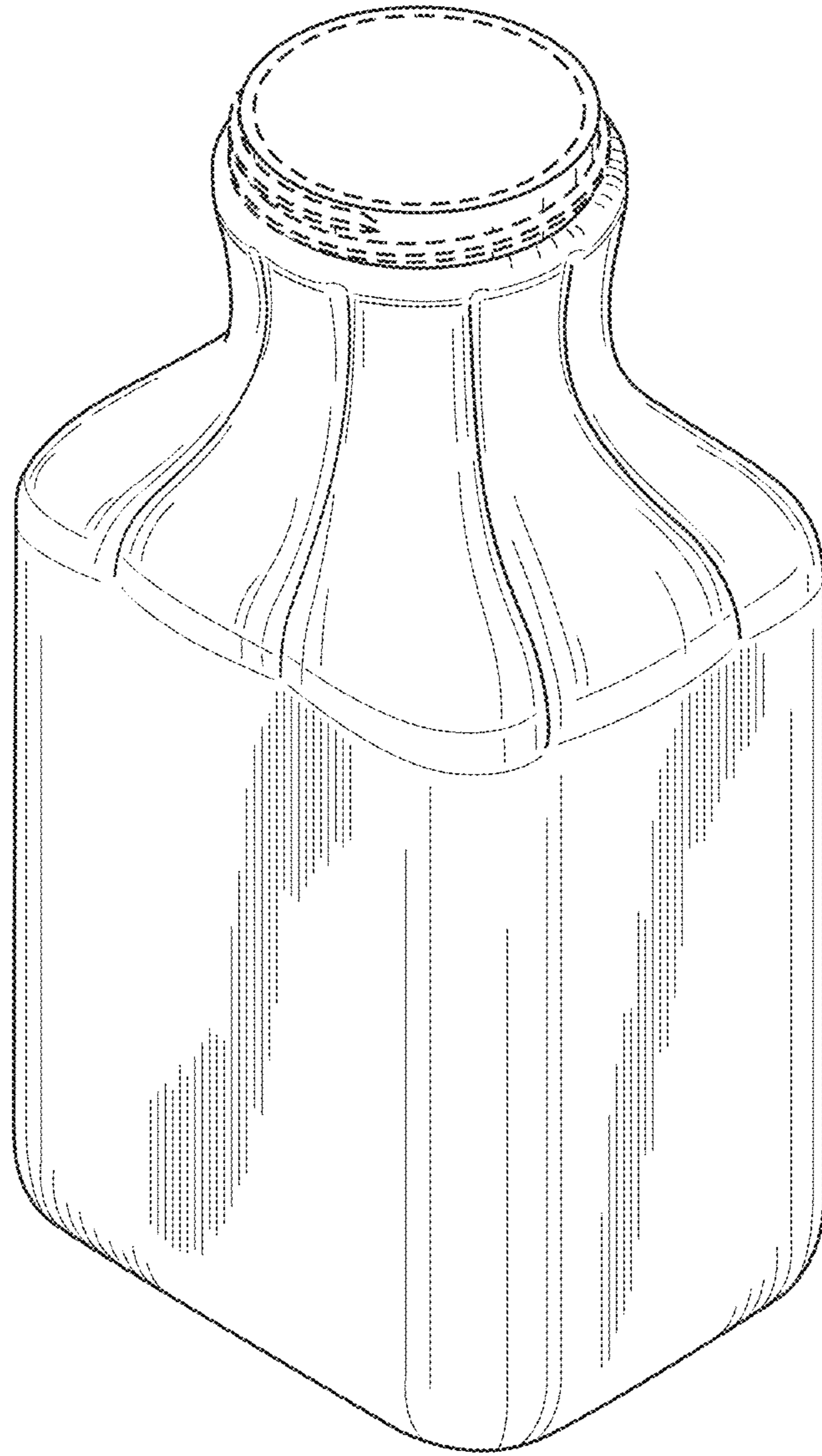


FIG. 1

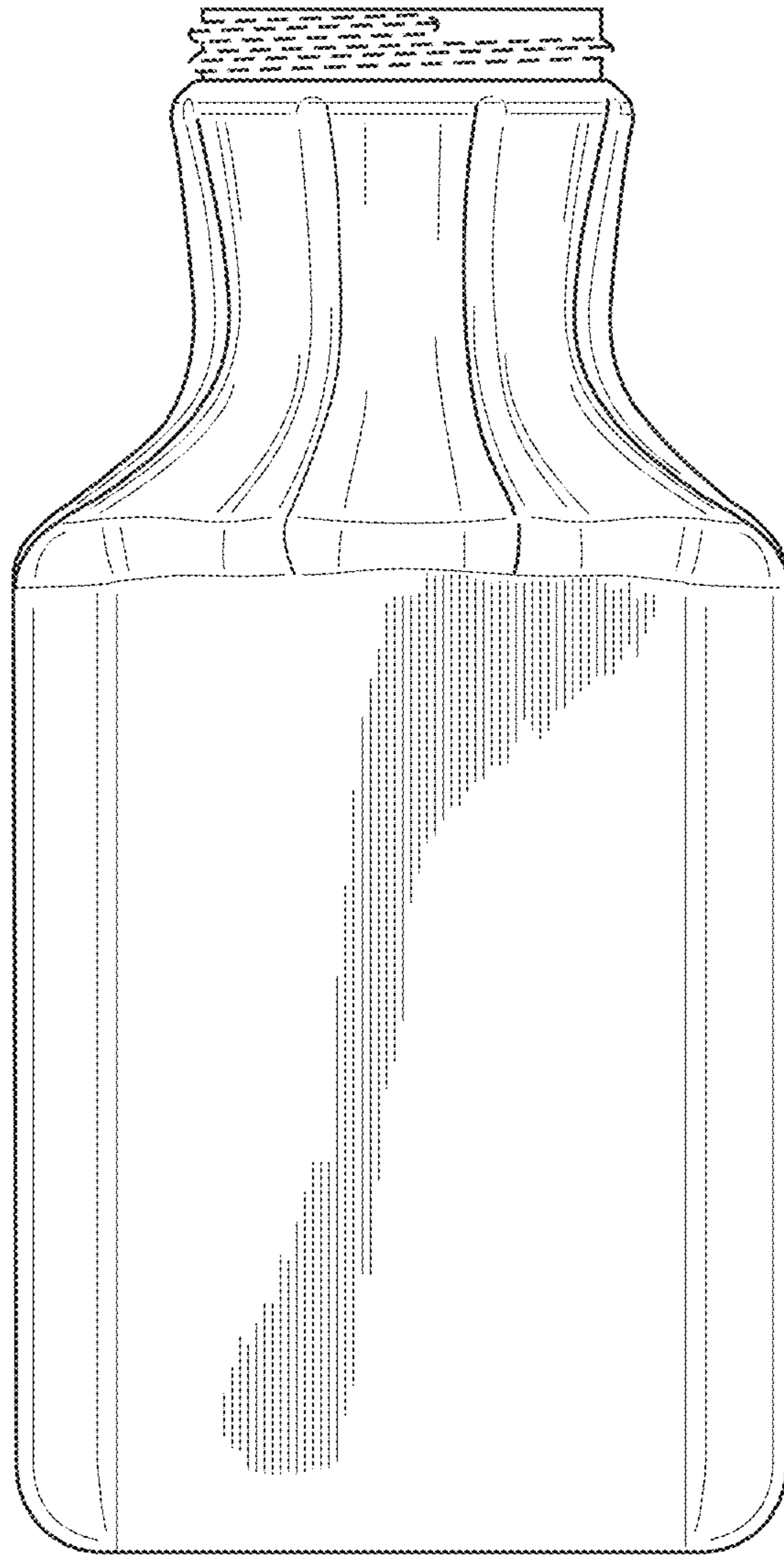


FIG. 2

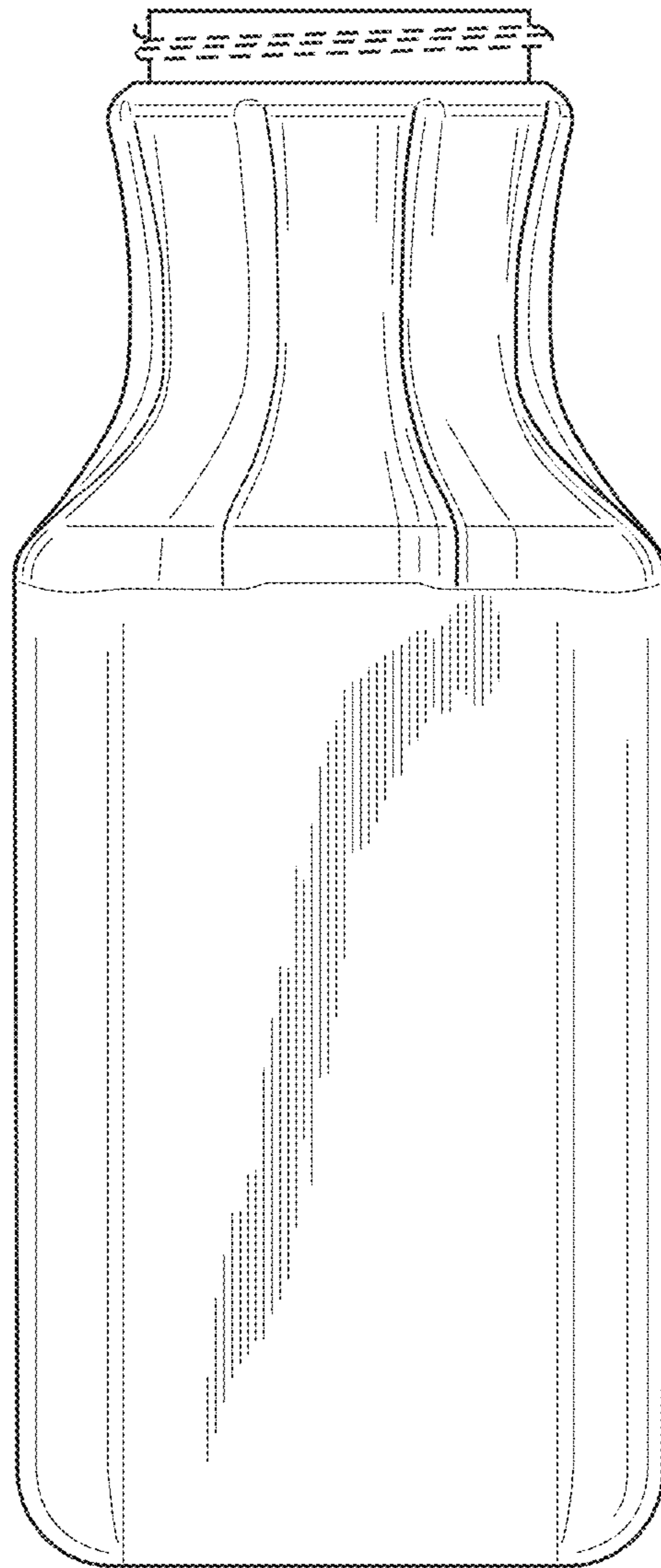


FIG. 3

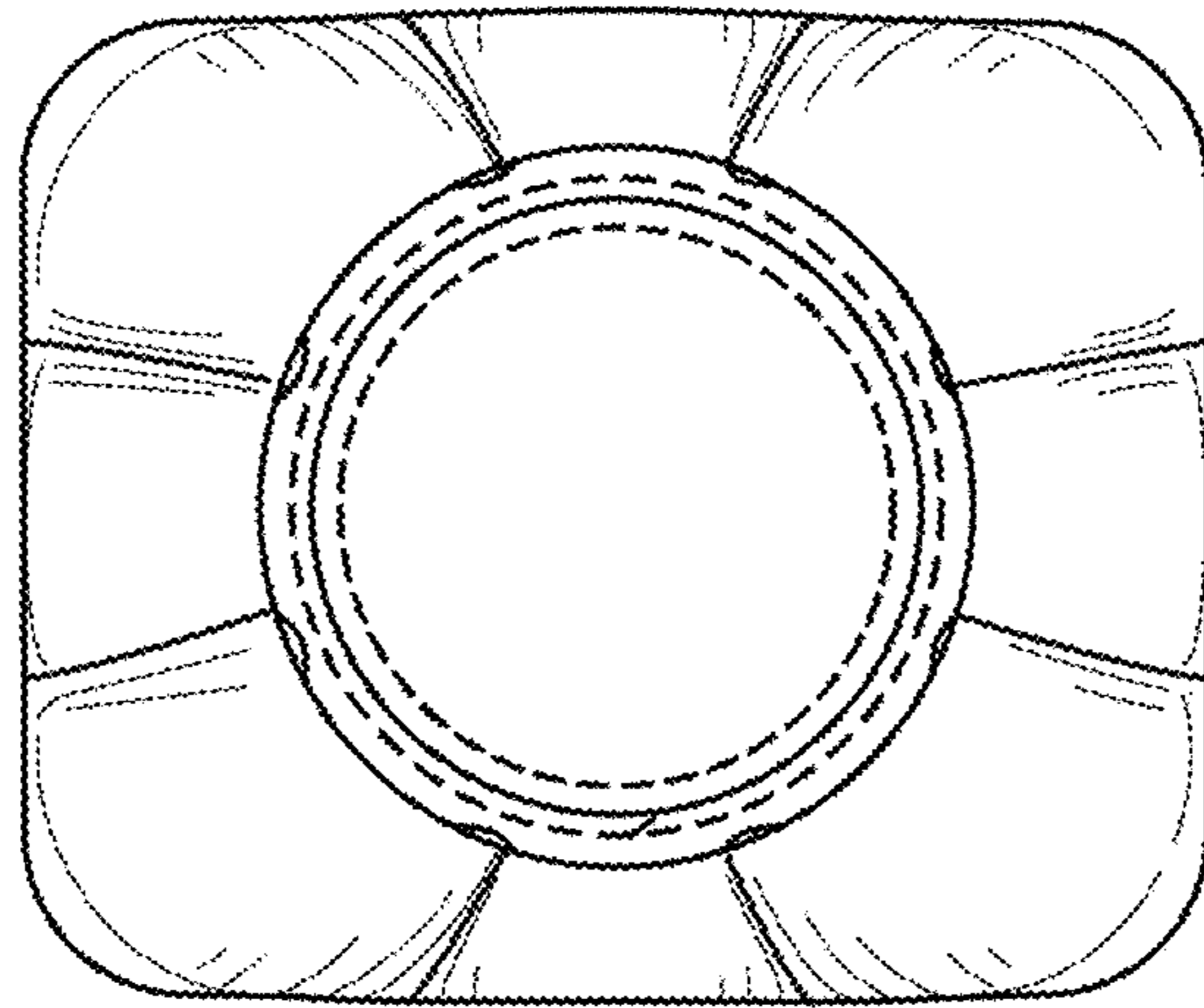


FIG. 4

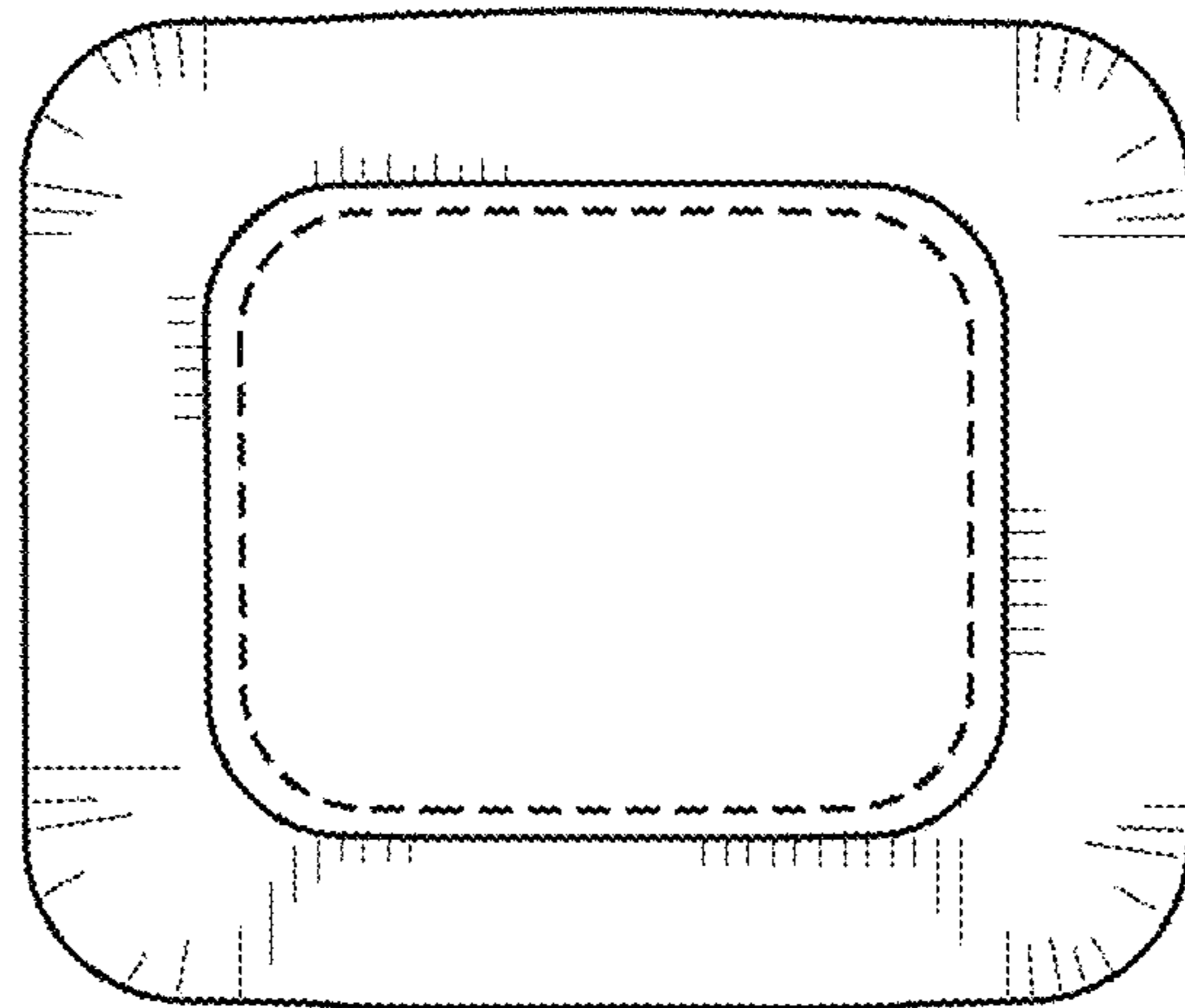


FIG. 5