



US00D849544S

(12) **United States Design Patent**
Castillo Higareda et al.

(10) **Patent No.: US D849,544 S**

(45) **Date of Patent: ** May 28, 2019**

(54) **BOTTLE**

25/2894; B65D 25/2897; B65D 1/023;
B65D 2501/00; B65D 2501/0009; B65D
2501/0081; B05B 11/0037

(71) Applicant: **S. C. Johnson & Son, Inc.**, Racine, WI
(US)

See application file for complete search history.

(72) Inventors: **Jose J. Castillo Higareda**, Racine, WI
(US); **Peter M. Neumann**, Racine, WI
(US); **Holger Hampf**, Munich (DE);
Matthew D. Hern, Malibu, CA (US);
Gary B. Swetish, Racine, WI (US);
Benjamin R. Lloyd, Milwaukee, WI
(US)

(56)

References Cited

U.S. PATENT DOCUMENTS

D47,355 S	5/1915	Coane
2,639,521 A	5/1953	Rickettson
D216,584 S	2/1970	Hills
D229,890 S	1/1974	Pardo
3,825,142 A	7/1974	Campagna
D238,753 S	2/1976	McKinney et al.
3,993,250 A	11/1976	Shure
D244,991 S	7/1977	Weckman et al.
D254,709 S	4/1980	McCredie

(Continued)

(73) Assignee: **S. C. Johnson & Son, Inc.**, Racine, WI
(US)

(**) Term: **15 Years**

FOREIGN PATENT DOCUMENTS

(21) Appl. No.: **29/640,135**

EP	0751071 B1	11/2001
WO	2004028910 A1	4/2004
WO	2005123517 A1	12/2005

(22) Filed: **Mar. 12, 2018**

Related U.S. Application Data

Primary Examiner — Dana Meyrow

(60) Division of application No. 29/512,929, filed on Dec. 23, 2014, now Pat. No. Des. 814,932, which is a division of application No. 29/412,300, filed on Feb. 1, 2012, now Pat. No. Des. 722,882, which is a continuation-in-part of application No. 29/380,459, filed on Dec. 6, 2010, now Pat. No. Des. 660,714.

(74) *Attorney, Agent, or Firm* — Quarles & Brady LLP

(51) **LOC (11) Cl.** **09-01**

(57)

CLAIM

(52) **U.S. Cl.**

The ornamental design for a bottle, as shown and described.

USPC **D9/516**; D9/543

DESCRIPTION

(58) **Field of Classification Search**

USPC D9/516, 523, 528, 530, 543, 571, 575,
D9/682, 685; D23/225; 215/379,
215/381-384; 220/660, 669, 675;
222/321.7, 383.1, 630-631

FIG. 1 is a perspective view of a bottle showing our new design;

FIG. 2 is a left side view thereof;

FIG. 3 is a right side view thereof;

FIG. 4 is a front view thereof;

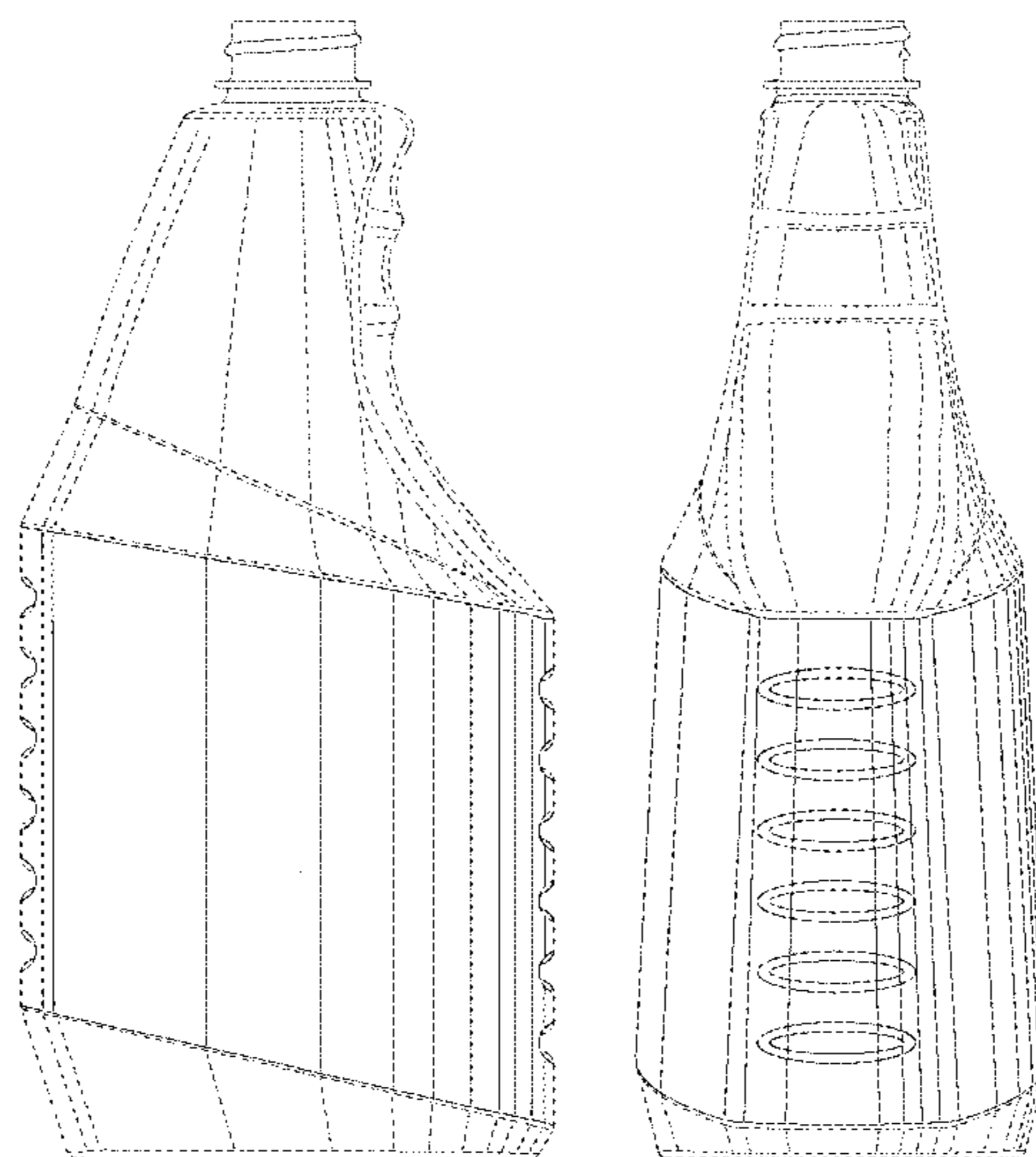
FIG. 5 is a rear view thereof; and,

FIG. 6 is a bottom view thereof.

The broken lines in the drawings illustrate the portions of the bottle that form no part of the claim.

CPC B65D 1/00; B65D 1/02; B65D 1/0223;
B65D 1/40; B65D 23/00; B65D 23/10;
B65D 23/102; B65D 25/00; B65D 25/28;
B65D 25/2882; B65D 25/2888; B65D

1 Claim, 6 Drawing Sheets



(56)

References Cited

U.S. PATENT DOCUMENTS

D255,650 S	7/1980	Britt	D440,159 S	4/2001	Guislain	
D259,094 S	5/1981	Weckman	6,247,606 B1	6/2001	Zogg	
D263,448 S	3/1982	Turcotte	6,264,073 B1	7/2001	Good et al.	
D265,887 S *	8/1982	Weckman	D447,954 S *	9/2001	Cummings	D9/523
D267,701 S	1/1983	Pardo et al.	D451,792 S	12/2001	Siebert et al.	
4,775,078 A	10/1988	Schick et al.	6,349,838 B1	2/2002	Saito et al.	
4,837,892 A	6/1989	Lo	D454,069 S	3/2002	Guislain	
D303,628 S *	9/1989	Beaver	D454,504 S	3/2002	Siebert et al.	
D305,612 S	1/1990	Haworth	D454,779 S	3/2002	Siebert et al.	
D311,489 S	10/1990	Holmes	D454,787 S	3/2002	Cummings	
4,970,220 A	11/1990	Chaussee	D455,352 S	4/2002	Siebert et al.	
D314,140 S	1/1991	Komick et al.	6,398,052 B1	6/2002	Cheng et al.	
D323,110 S	1/1992	Simms et al.	6,431,401 B1	8/2002	Giblin et al.	
D328,422 S	8/1992	Fuchs et al.	6,464,106 B1	10/2002	Giblin et al.	
D328,712 S	8/1992	Butler et al.	6,497,333 B1	12/2002	Ellis et al.	
D329,815 S	9/1992	Beaver et al.	D468,194 S	1/2003	Siebert et al.	
D329,816 S	9/1992	Beaver et al.	6,536,977 B1	3/2003	Hammel	
D330,515 S	10/1992	Patel et al.	6,575,321 B2	6/2003	Bourque et al.	
5,156,285 A	10/1992	Zogg et al.	6,585,123 B1	7/2003	Pedmo et al.	
D334,343 S	3/1993	Leslie et al.	D480,005 S	9/2003	Conway	
5,195,664 A	3/1993	Rhea	D481,305 S	10/2003	Walters et al.	
5,217,128 A	6/1993	Stenger	6,662,960 B2	12/2003	Hong et al.	
5,232,107 A	8/1993	Krall et al.	D484,805 S	1/2004	Colangelo et al.	
5,238,129 A	8/1993	Ota	D485,747 S	1/2004	Crawford	
D342,451 S	12/1993	Warner et al.	D486,067 S	2/2004	Colangelo et al.	
D342,678 S	12/1993	Warner et al.	D486,068 S	2/2004	Crawford et al.	
D347,385 S	5/1994	Kunesh	D486,397 S	2/2004	Crawford et al.	
5,381,910 A	1/1995	Sugiura et al.	D486,743 S	2/2004	Nelson et al.	
5,407,086 A	4/1995	Ota et al.	6,695,162 B1	2/2004	Boukobza et al.	
D358,198 S	5/1995	Wadsworth	D487,223 S	3/2004	Arai et al.	
D366,692 S	1/1996	Wadsworth	D487,401 S	3/2004	Cotton et al.	
D372,428 S	8/1996	Malmquist	D488,066 S	4/2004	Nelson et al.	
D374,625 S	10/1996	Flurer et al.	D489,621 S	5/2004	Grisdale et al.	
D383,394 S	9/1997	Davis	D490,700 S	6/2004	Conway et al.	
D388,330 S	12/1997	Zimmer	6,763,969 B1	7/2004	Melrose et al.	
D391,856 S	3/1998	Lynd	D493,723 S	8/2004	Nelson et al.	
5,735,420 A	4/1998	Nakamaki et al.	D497,971 S	11/2004	Conway et al.	
5,761,759 A	6/1998	Leversby et al.	D498,670 S	11/2004	Cummings et al.	
D399,734 S	10/1998	Luh et al.	D501,142 S	1/2005	Pattison	
D401,504 S	11/1998	Bolliger et al.	D501,405 S	2/2005	Feen	
5,833,115 A	11/1998	Eiten	D501,796 S	2/2005	Crawford et al.	
D402,204 S	12/1998	Jennings	D507,493 S	7/2005	Nelson et al.	
D403,588 S	1/1999	Jungmann	6,923,334 B2	8/2005	Melrose et al.	
D406,052 S	2/1999	Dumont et al.	D510,705 S	10/2005	Crawford	
D406,060 S	2/1999	Dumont et al.	D510,869 S	10/2005	Gross et al.	
D406,765 S	3/1999	Zimmer et al.	6,964,347 B2	11/2005	Miura	
5,875,940 A	3/1999	Mayfield	D512,916 S	12/2005	Floyd et al.	
D409,487 S	5/1999	Wadsworth et al.	6,974,047 B2	12/2005	Kelley et al.	
5,908,127 A	6/1999	Weick et al.	D514,933 S	2/2006	Bitowft et al.	
D413,808 S	9/1999	Bolliger et al.	D518,376 S	4/2006	Floyd et al.	
D414,700 S	10/1999	Zogg	D519,371 S	4/2006	Hornsby et al.	
D415,430 S	10/1999	Bodker et al.	7,051,890 B2	5/2006	Onoda et al.	
D415,689 S	10/1999	Voight et al.	D524,660 S	7/2006	Floyd et al.	
D416,802 S	11/1999	Zimmer et al.	D525,137 S	7/2006	Helps	
D418,063 S	12/1999	Feen	D525,527 S	7/2006	Ogg	
D419,875 S	2/2000	Wadsworth et al.	7,108,146 B2	9/2006	Itokawa et al.	
D419,884 S	2/2000	Zimmer et al.	D533,782 S	12/2006	Ogg et al.	
D420,290 S	2/2000	Dean et al.	D533,786 S	12/2006	Ogg et al.	
D420,918 S	2/2000	Hefter et al.	D536,258 S	2/2007	Ogg et al.	
D421,388 S	3/2000	Cummings	D536,982 S	2/2007	Conway	
D422,216 S	4/2000	Brozell	D543,854 S	6/2007	Conway	
D422,493 S	4/2000	Clarke	D545,197 S	6/2007	Adamson et al.	
D422,901 S	4/2000	Young et al.	7,228,981 B2	6/2007	Chisholm	
D423,362 S	4/2000	Di Bartolo et al.	D547,660 S	7/2007	Lepoitevin	
D425,428 S	5/2000	Zimmer et al.	D556,045 S	11/2007	Kamath et al.	
6,059,152 A	5/2000	Mayfield	D556,583 S	12/2007	Gurst et al.	
D427,078 S	6/2000	Schaaf et al.	D557,608 S	12/2007	Feen et al.	
D429,159 S	8/2000	Feen	7,318,533 B2	1/2008	Kelley	
6,095,360 A	8/2000	Shmagin et al.	D568,748 S	5/2008	Harrison et al.	
D432,426 S	10/2000	Caughey et al.	D575,160 S	8/2008	Mueller et al.	
6,138,873 A	10/2000	Gramola	D581,282 S	11/2008	Lepoitevin	
D433,335 S	11/2000	Zimmer et al.	D581,805 S	12/2008	Suxdorf	
D434,327 S	11/2000	Di Bartolo et al.	D583,677 S	12/2008	Harrison et al.	
6,161,713 A	12/2000	Krich	D584,617 S	1/2009	Harrison et al.	
6,164,474 A	12/2000	Cheng et al.	7,481,326 B2	1/2009	Itokawa et al.	
			D593,416 S	6/2009	Medema	
			D599,674 S	9/2009	Lee et al.	
			D617,197 S	6/2010	Mueller et al.	
			D619,461 S	7/2010	Cummings et al.	

(56)

References Cited

U.S. PATENT DOCUMENTS

7,857,157 B2 12/2010 Lane et al.
 7,882,971 B2 2/2011 Kelley et al.
 D635,460 S 4/2011 Dorn et al.
 D651,089 S 12/2011 Lee et al.
 D656,832 S 4/2012 Bowers et al.
 D660,714 S 5/2012 Castillo Higareda et al.
 D663,627 S 7/2012 Castillo Higareda et al.
 D670,168 S * 11/2012 Borger D9/523
 D674,285 S 1/2013 Thijssen
 D674,286 S 1/2013 Thijssen
 8,662,329 B2 3/2014 Castillo Higareda et al.
 8,851,311 B2 * 10/2014 Castillo Higareda
 B65D 23/102
 215/379
 D719,451 S * 12/2014 Hyder D9/523
 D722,879 S 2/2015 Castillo Higareda et al.
 D722,882 S 2/2015 Castillo Higareda et al.
 D734,156 S 7/2015 Hawry
 D736,089 S 8/2015 Castillo Higareda et al.

D736,637 S 8/2015 Castillo Higareda et al.
 D774,913 S * 12/2016 Schwartz D9/543
 D780,585 S * 3/2017 Nho D9/530
 D792,779 S * 7/2017 Nguyen D9/520
 D814,932 S * 4/2018 Castillo Higareda D9/516
 2001/0037992 A1 11/2001 Tanabe et al.
 2002/0084283 A1 7/2002 Giblin et al.
 2003/0213816 A1 11/2003 Harrity et al.
 2006/0138074 A1 6/2006 Melrose
 2006/0191860 A1 8/2006 Eisenbarth
 2006/0237485 A1 10/2006 An
 2006/0255005 A1 11/2006 Melrose et al.
 2007/0068894 A1 3/2007 Iwashita et al.
 2007/0114200 A1 5/2007 Lane
 2007/0199915 A1 8/2007 Denner et al.
 2008/0047964 A1 2/2008 Denner et al.
 2008/0149588 A1 6/2008 Nemoto et al.
 2009/0008414 A1 1/2009 Tingsley
 2009/0065468 A1 3/2009 Hata et al.
 2009/0266782 A1 10/2009 Lane
 2010/0012617 A1 1/2010 Ulibarri et al.
 2011/0163184 A1 7/2011 Dennis

* cited by examiner

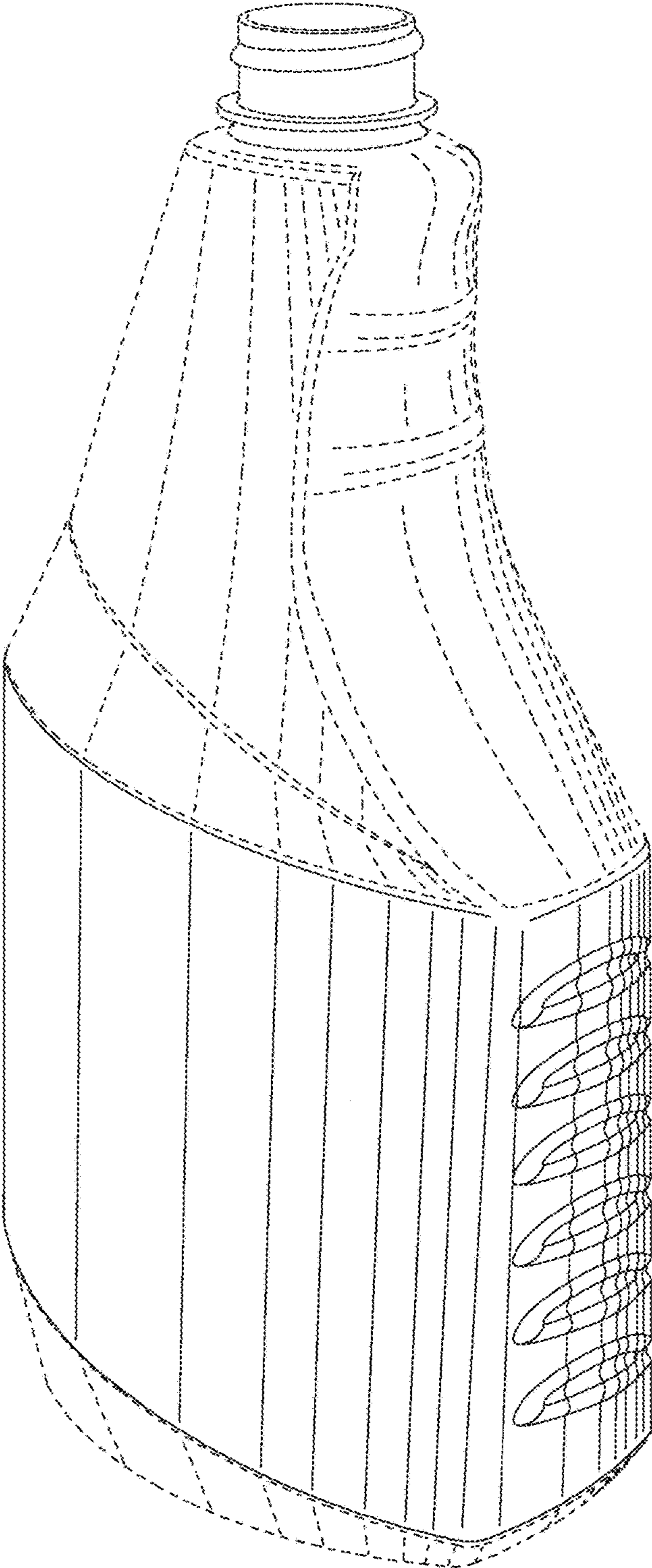


FIG. 1

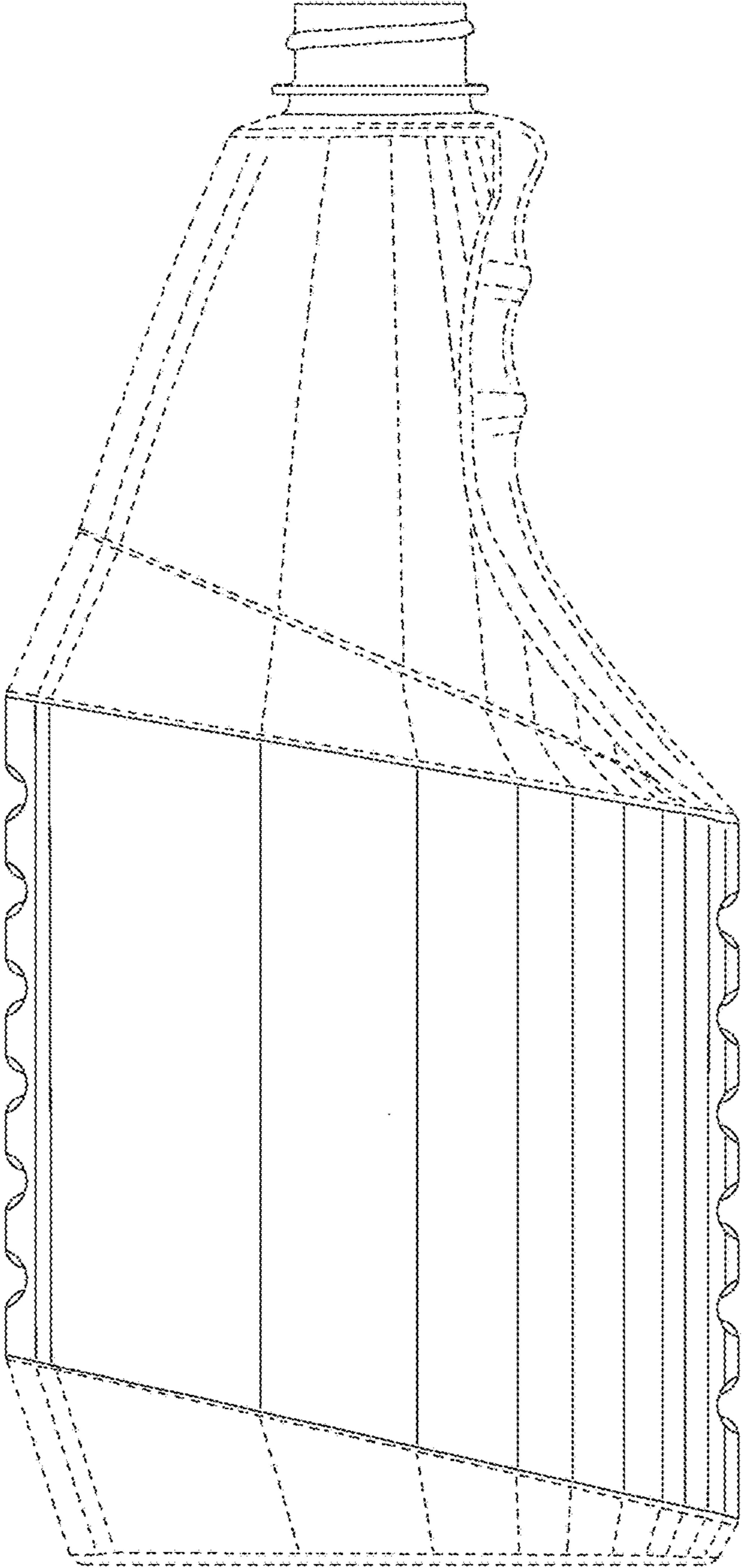


FIG. 2

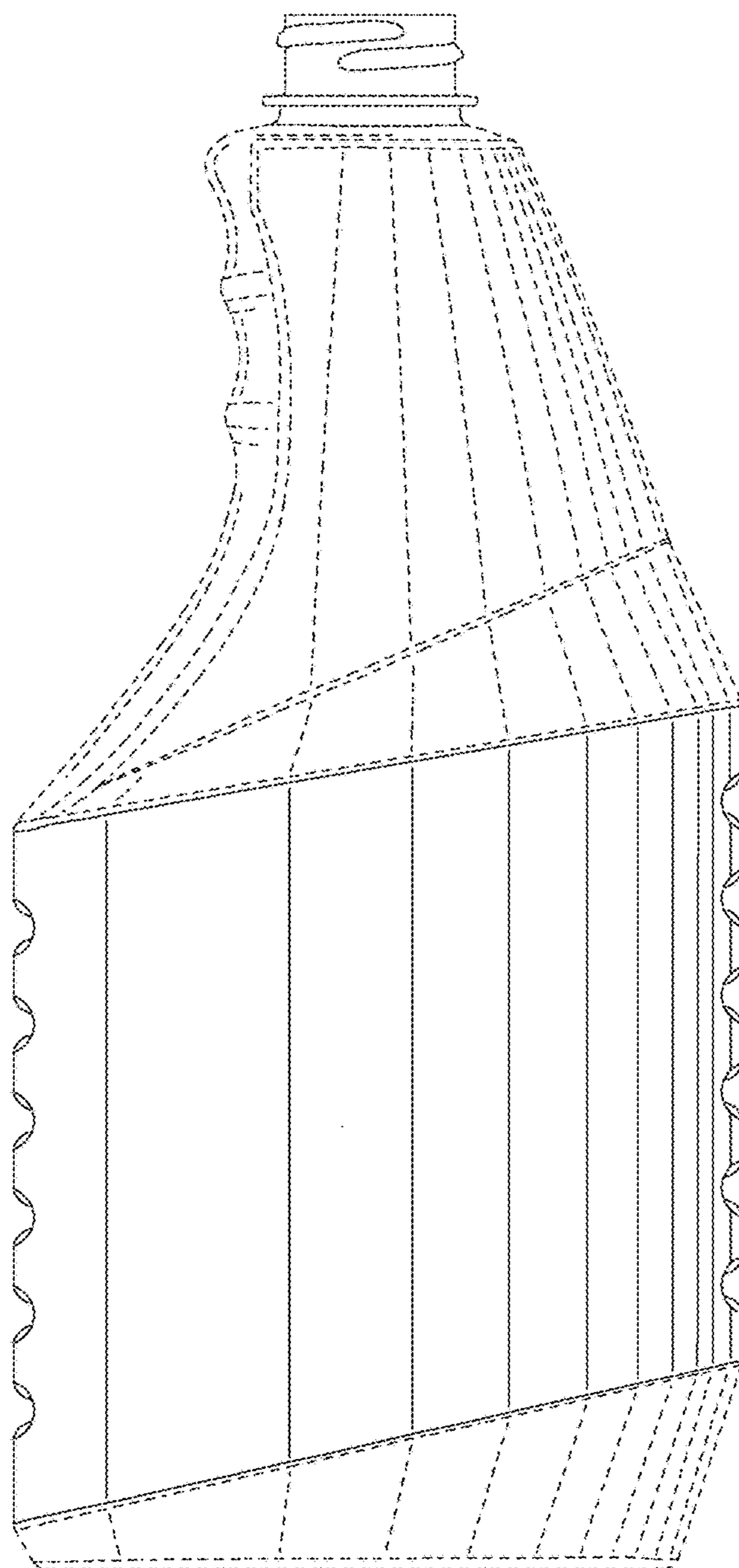


FIG. 3

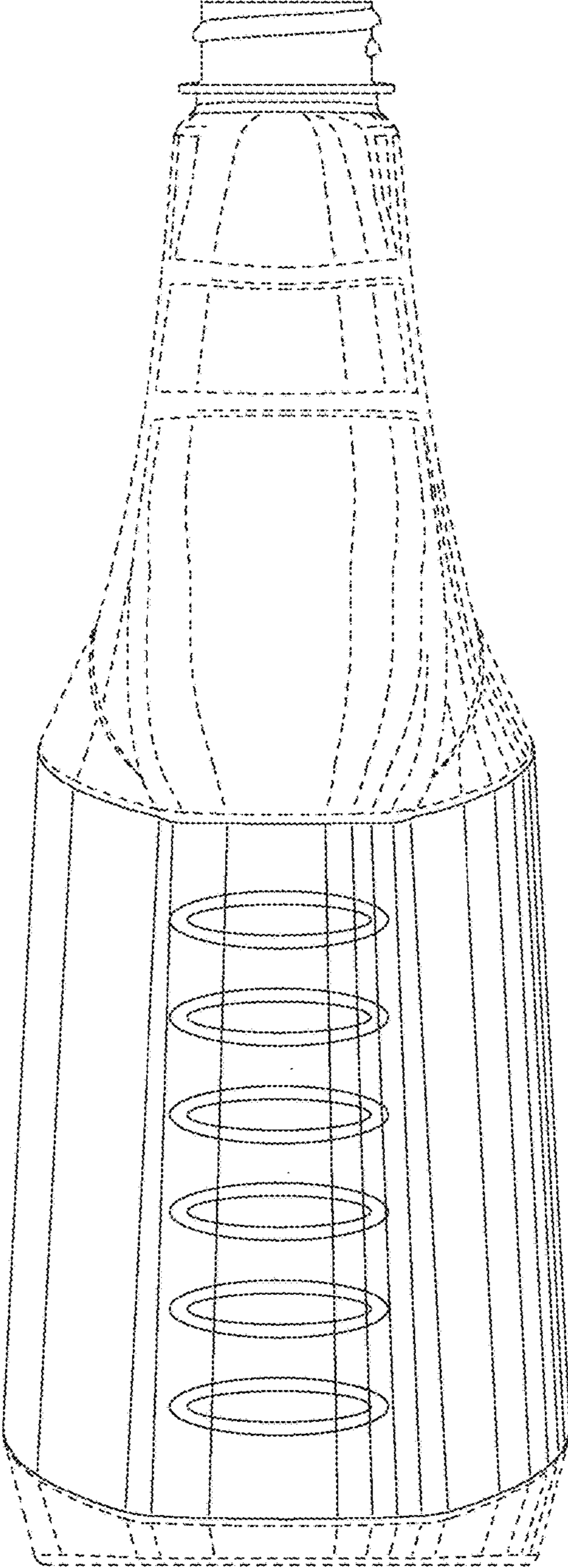


FIG. 4

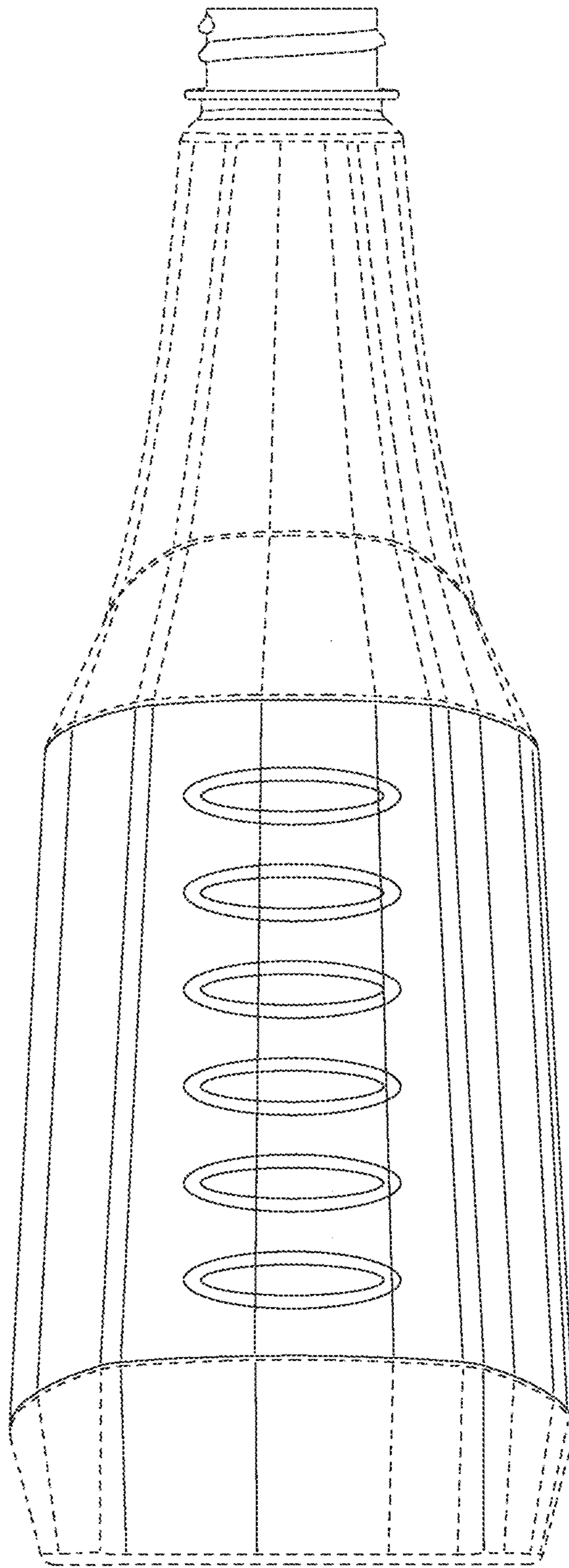


FIG. 5

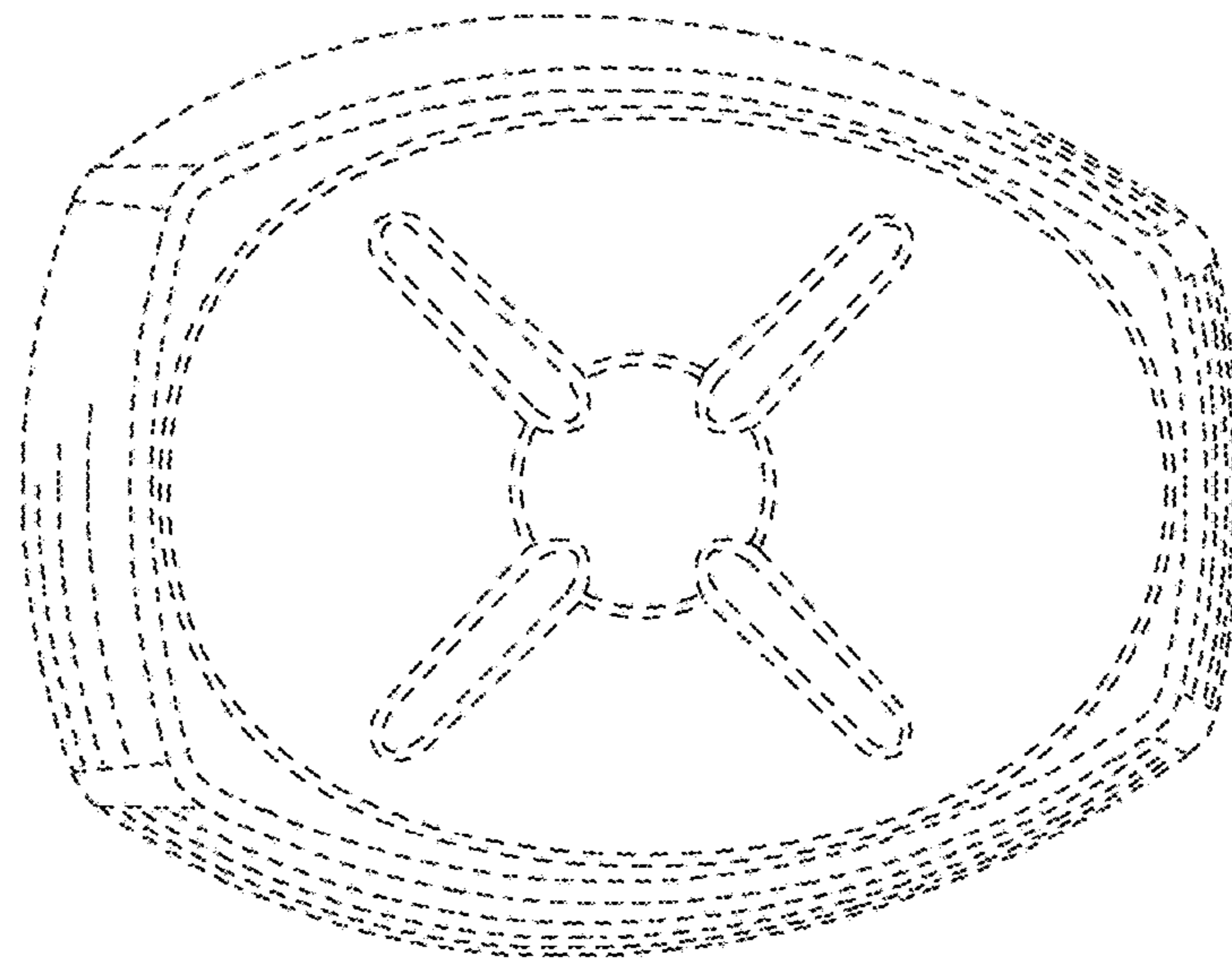


FIG. 6